



US00D598374S

(12) **United States Design Patent**
Sasada

(10) **Patent No.:** **US D598,374 S**

(45) **Date of Patent:** **** Aug. 18, 2009**

(54) **BATTERY CHARGER**

(75) Inventor: **Motohiro Sasada**, Osaka (JP)

(73) Assignee: **Sanyo Electric Co., Ltd.**, Osaka (JP)

(**) Term: **14 Years**

(21) Appl. No.: **29/311,088**

(22) Filed: **Dec. 19, 2008**

(30) **Foreign Application Priority Data**

Jul. 7, 2008 (JP) 2008-017391

(51) **LOC (9) Cl.** **13-02**

(52) **U.S. Cl.** **D13/108**

(58) **Field of Classification Search** D13/102,
D13/107-110, 118-119, 184; D14/251,
D14/253, 432, 434; 320/107-115

See application file for complete search history.

(56) **References Cited**

U.S. PATENT DOCUMENTS

D354,739 S *	1/1995	Durham et al.	D13/184
D530,277 S *	10/2006	Lin	D13/110
D532,372 S *	11/2006	Keating	D13/108
D532,745 S *	11/2006	Gaber et al.	D13/108
D539,218 S *	3/2007	Gaber et al.	D13/108
D570,847 S *	6/2008	Chern	D14/434

* cited by examiner

Primary Examiner—Jennifer Rivard

Assistant Examiner—Rosemary K Tarcza

(74) *Attorney, Agent, or Firm*—Rabin & Berdo, PC

(57) **CLAIM**

The ornamental design for a battery charger, as shown and described.

DESCRIPTION

FIG. 1 is a perspective view of a battery charger showing my new design;

FIG. 2 is a front elevation view thereof;

FIG. 3 is a rear elevation view thereof;

FIG. 4 is a top plan view thereof;

FIG. 5 is a bottom plan view thereof;

FIG. 6 is a right side view thereof, the left side view thereof being a mirror image;

FIG. 7 is an enlarged sectional view thereof taken on line 7—7 of FIG. 2 showing no illustration of inside mechanism;

FIG. 8 is an enlarged rear view thereof; and,

FIG. 9 is a referential view showing a state in use thereof, a USB connector with a cable shown in broken lines are for illustrative purposes only and form no part of the claimed design.

1 Claim, 5 Drawing Sheets

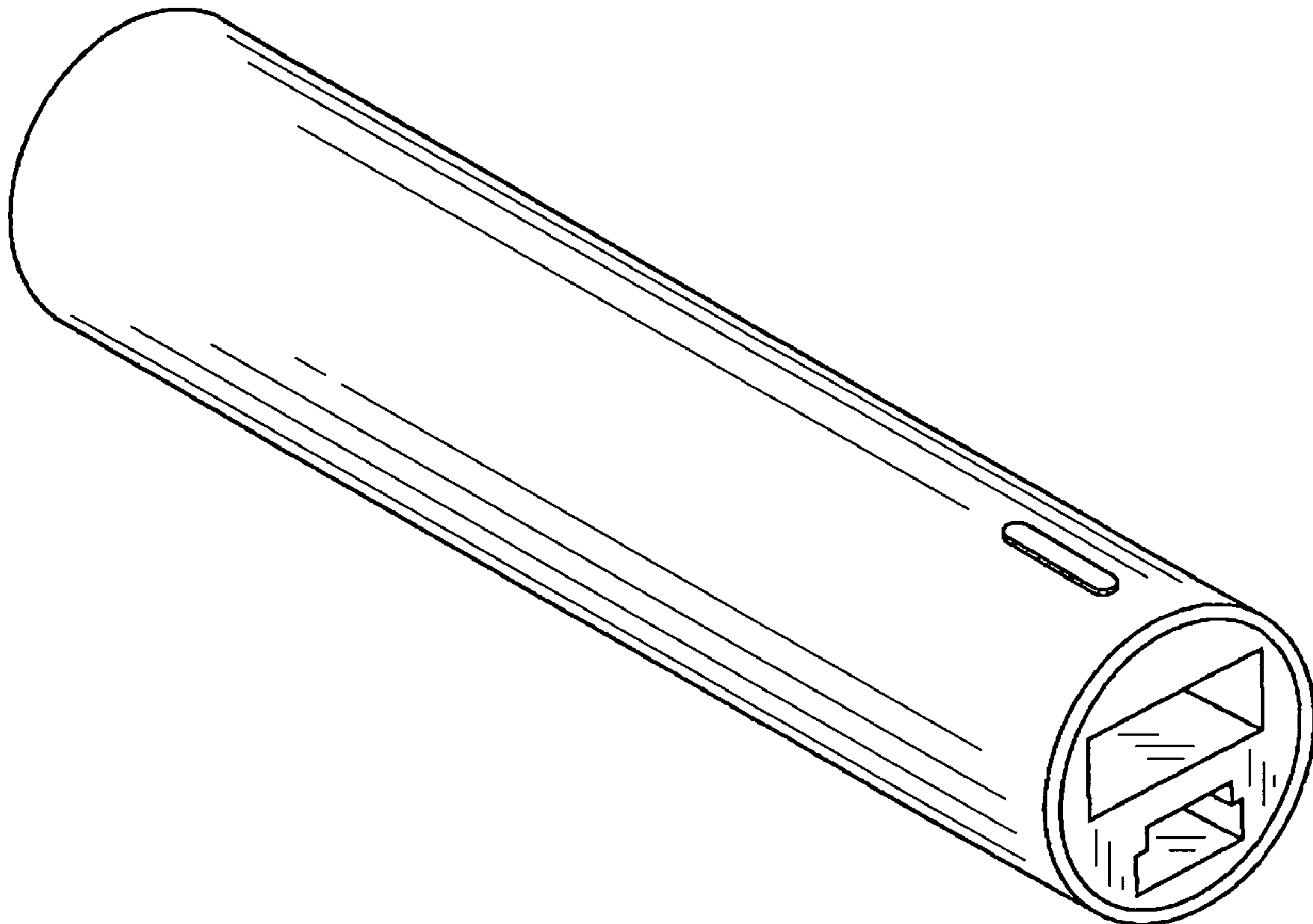


FIG. 1

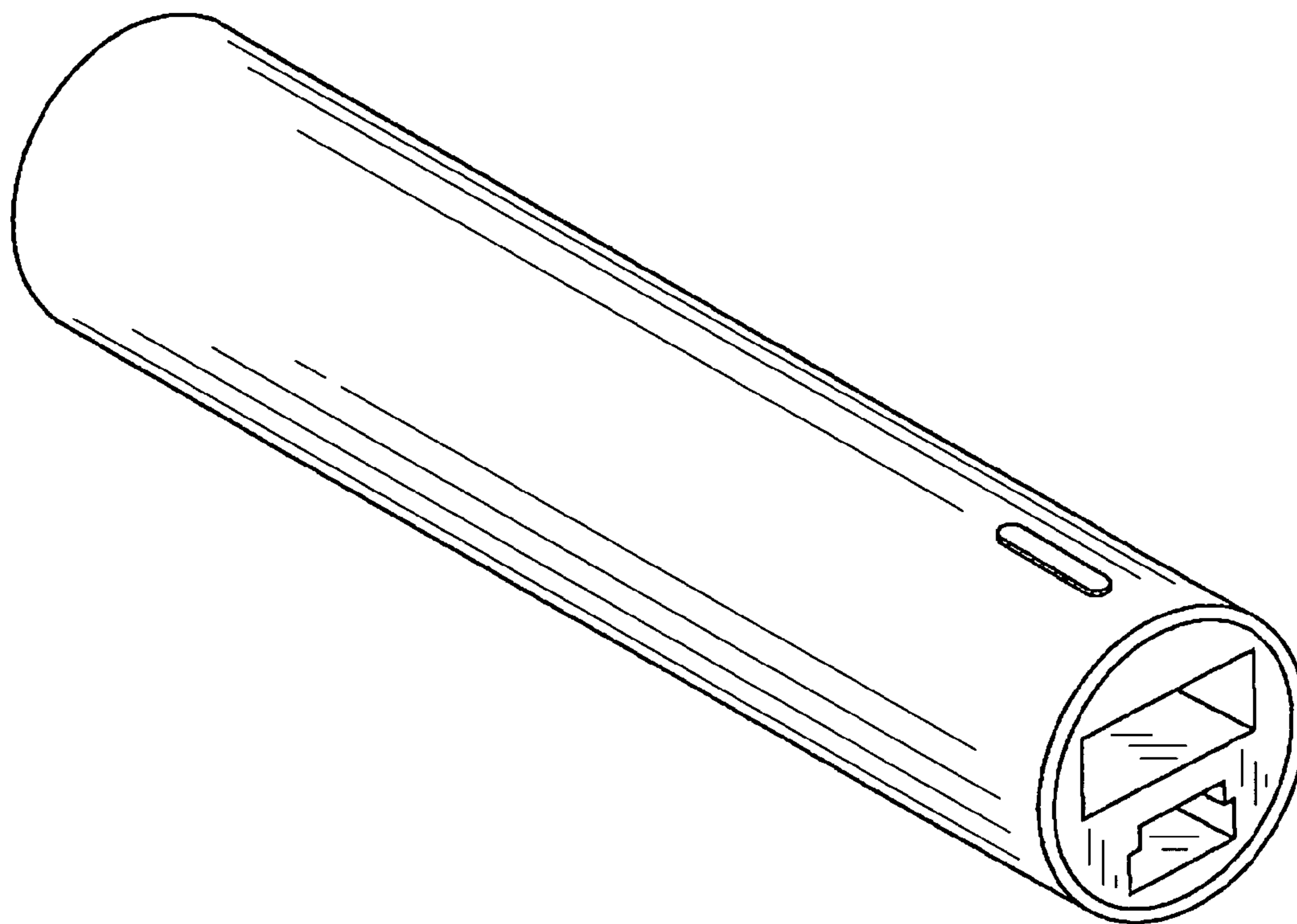


FIG. 2

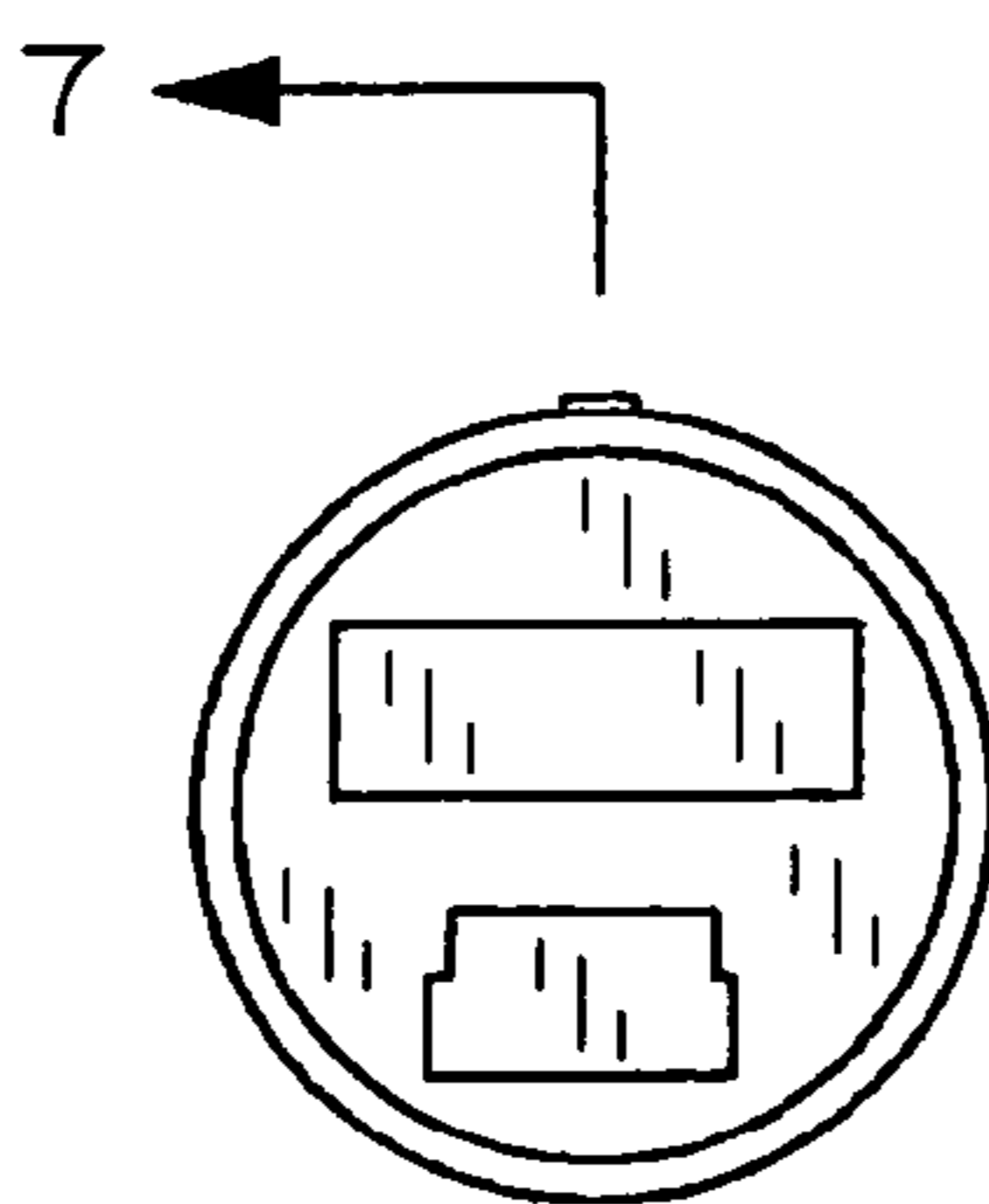


FIG. 3

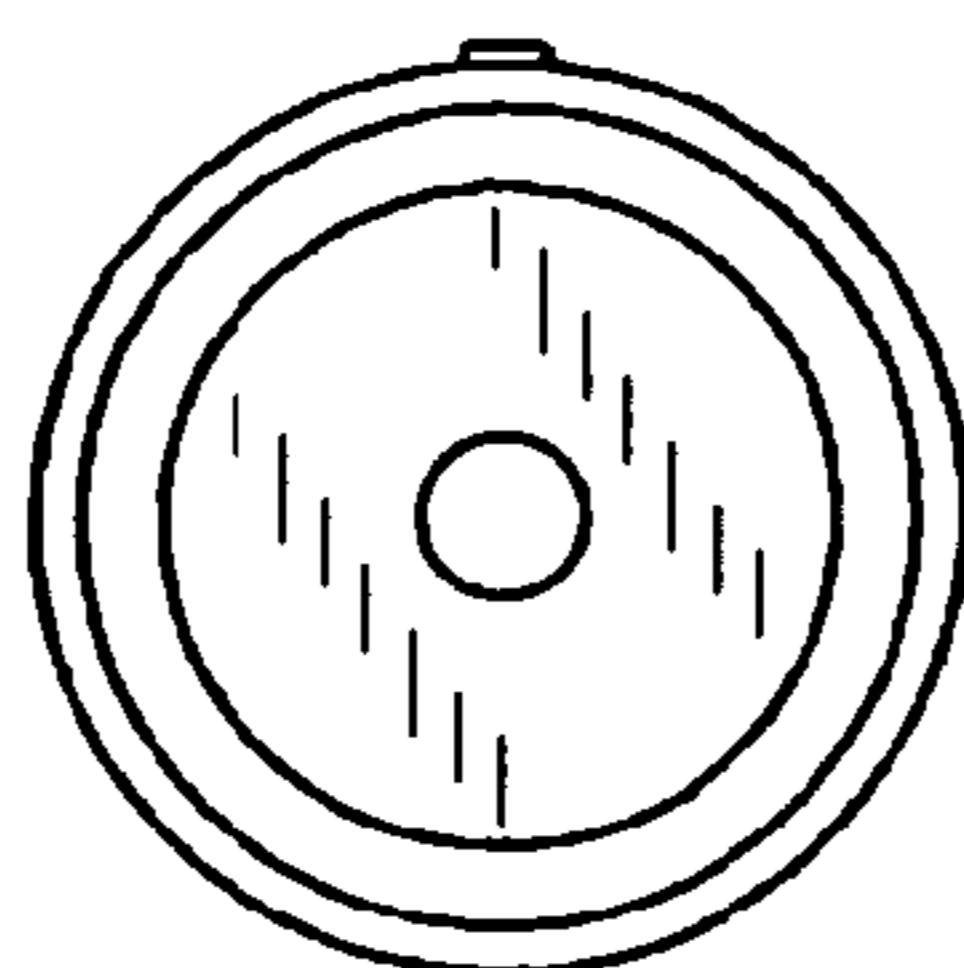


FIG. 4

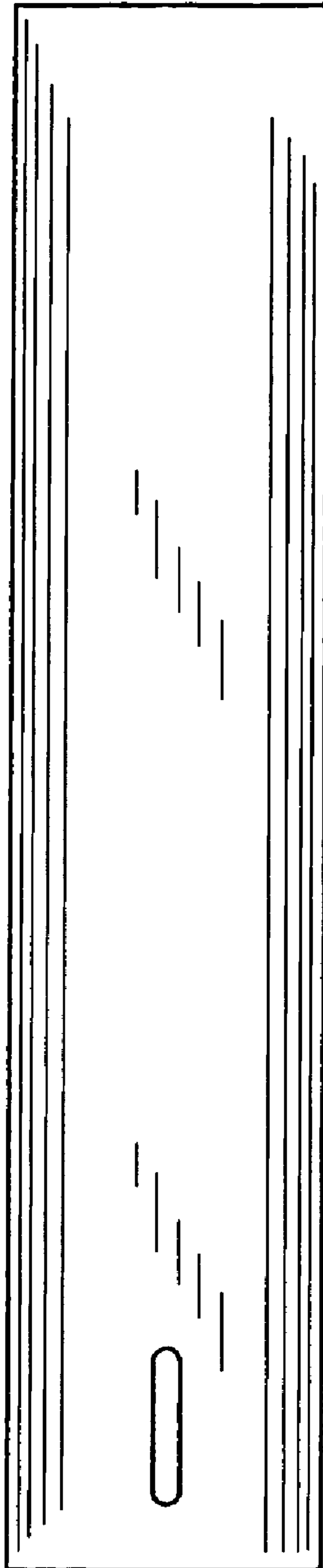


FIG. 5

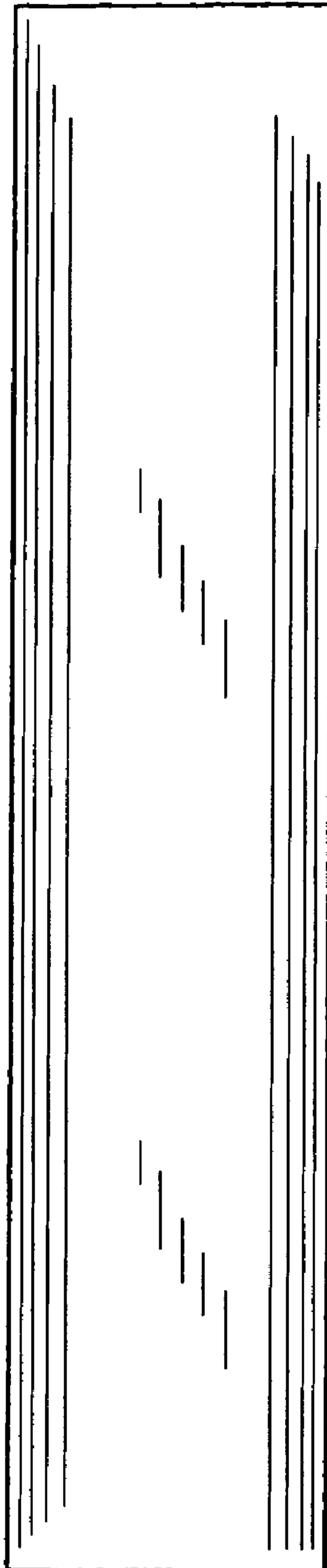


FIG. 6

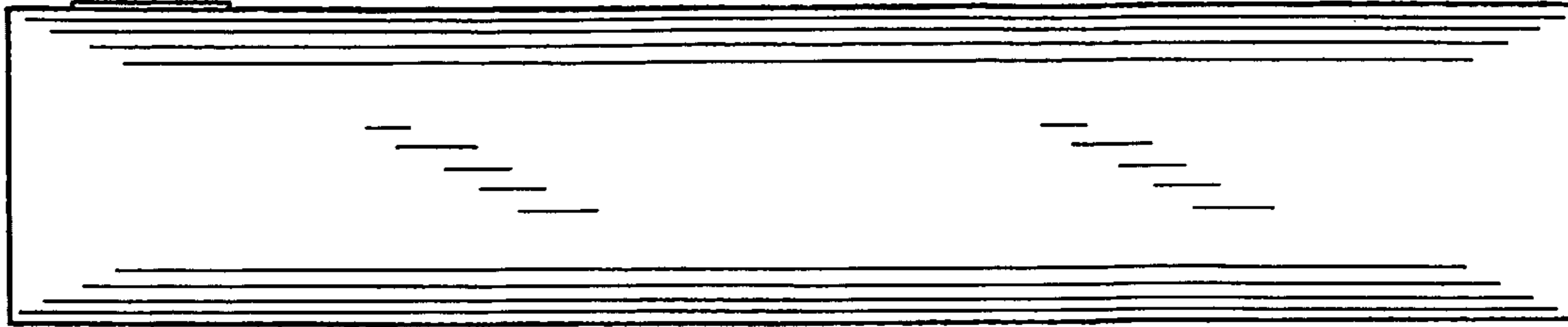


FIG. 7

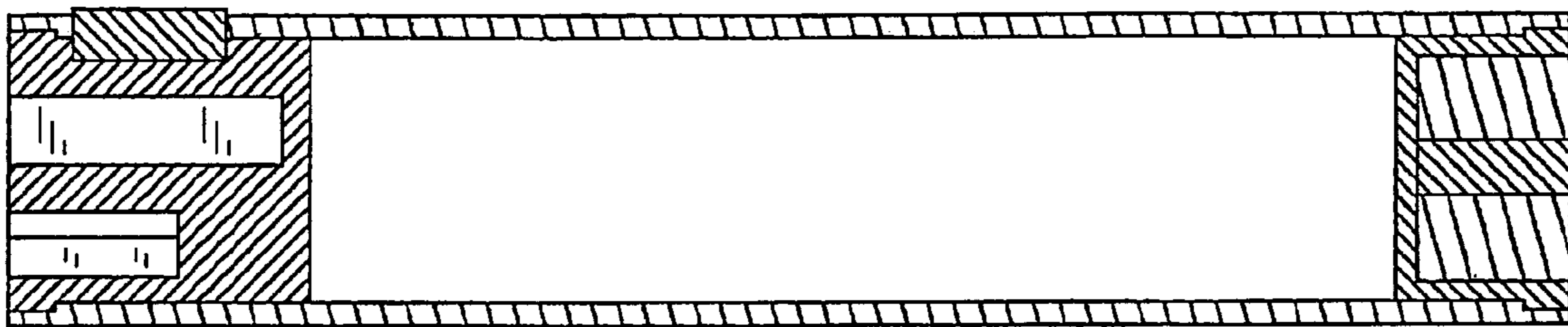


FIG. 8

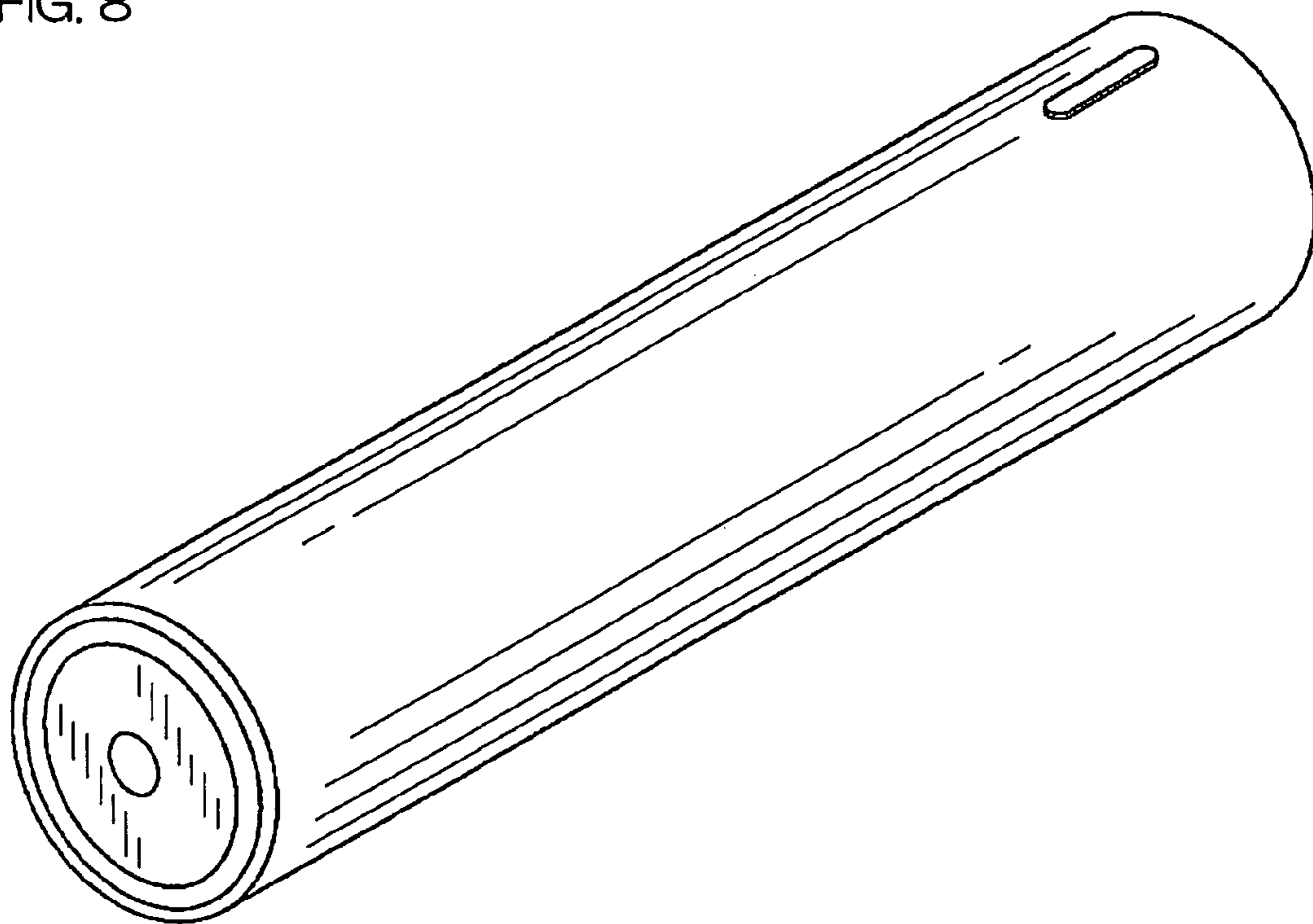


FIG. 9

