



US00D598372S

(12) **United States Design Patent**
Sasada

(10) **Patent No.:** **US D598,372 S**

(45) **Date of Patent:** **** Aug. 18, 2009**

(54) **BATTERY CHARGER WITH SOLAR-CELL**

(75) Inventor: **Motohiro Sasada**, Osaka (JP)

(73) Assignee: **Sanyo Electric Co., Ltd.**, Osaka (JP)

(**) Term: **14 Years**

(21) Appl. No.: **29/311,031**

(22) Filed: **Dec. 11, 2008**

(30) **Foreign Application Priority Data**

Jul. 7, 2008 (JP) 2008-017388

(51) **LOC (9) Cl.** **13-02**

(52) **U.S. Cl.** **D13/102; D13/107**

(58) **Field of Classification Search** D13/102,
D13/107-110, 118-119, 184; D14/251,
D14/253, 432, 434; 320/101-102, 107-115
See application file for complete search history.

(56) **References Cited**

U.S. PATENT DOCUMENTS

D279,214 S *	6/1985	Hanson	D13/102
D291,692 S *	9/1987	Read et al.	D14/253
D323,504 S *	1/1992	Langton	D14/142
5,814,906 A *	9/1998	Spencer et al.	307/150
6,396,239 B1 *	5/2002	Benn et al.	320/101
D467,225 S *	12/2002	Sudo	D13/102
D505,113 S *	5/2005	Lam	D13/107
D550,615 S *	9/2007	Tong	D13/107
D557,206 S *	12/2007	Hussaini et al.	D13/107
D565,505 S *	4/2008	Shugar et al.	D13/102
D567,170 S *	4/2008	Chung et al.	D13/102

7,492,120 B2 *	2/2009	Benn et al.	320/101
2008/0278110 A1 *	11/2008	Lin et al.	320/101

* cited by examiner

Primary Examiner—Jennifer Rivard

Assistant Examiner—Rosemary K Tarcza

(74) *Attorney, Agent, or Firm*—Rabin & Berdo, PC

(57) **CLAIM**

The ornamental design for a battery charger with solar-cell, as shown and described.

DESCRIPTION

FIG. 1 is a perspective view of a battery charger with solar-cell showing my new design;

FIG. 2 is a front elevation view thereof;

FIG. 3 is a rear elevation view thereof;

FIG. 4 is a top plan view thereof;

FIG. 5 is a bottom plan view thereof;

FIG. 6 is a right side view thereof, the left side view thereof being a mirror image;

FIG. 7 is a sectional view thereof taken on line 7—7 of FIG. 2 showing no illustration of inside mechanism;

FIG. 8 is a rear perspective view thereof; and,

FIG. 9 is a referential perspective view thereof.

The broken lines shown in the drawings illustrate portions of the design and environmental structure. None of the broken lines forms part of the claimed design.

1 Claim, 5 Drawing Sheets

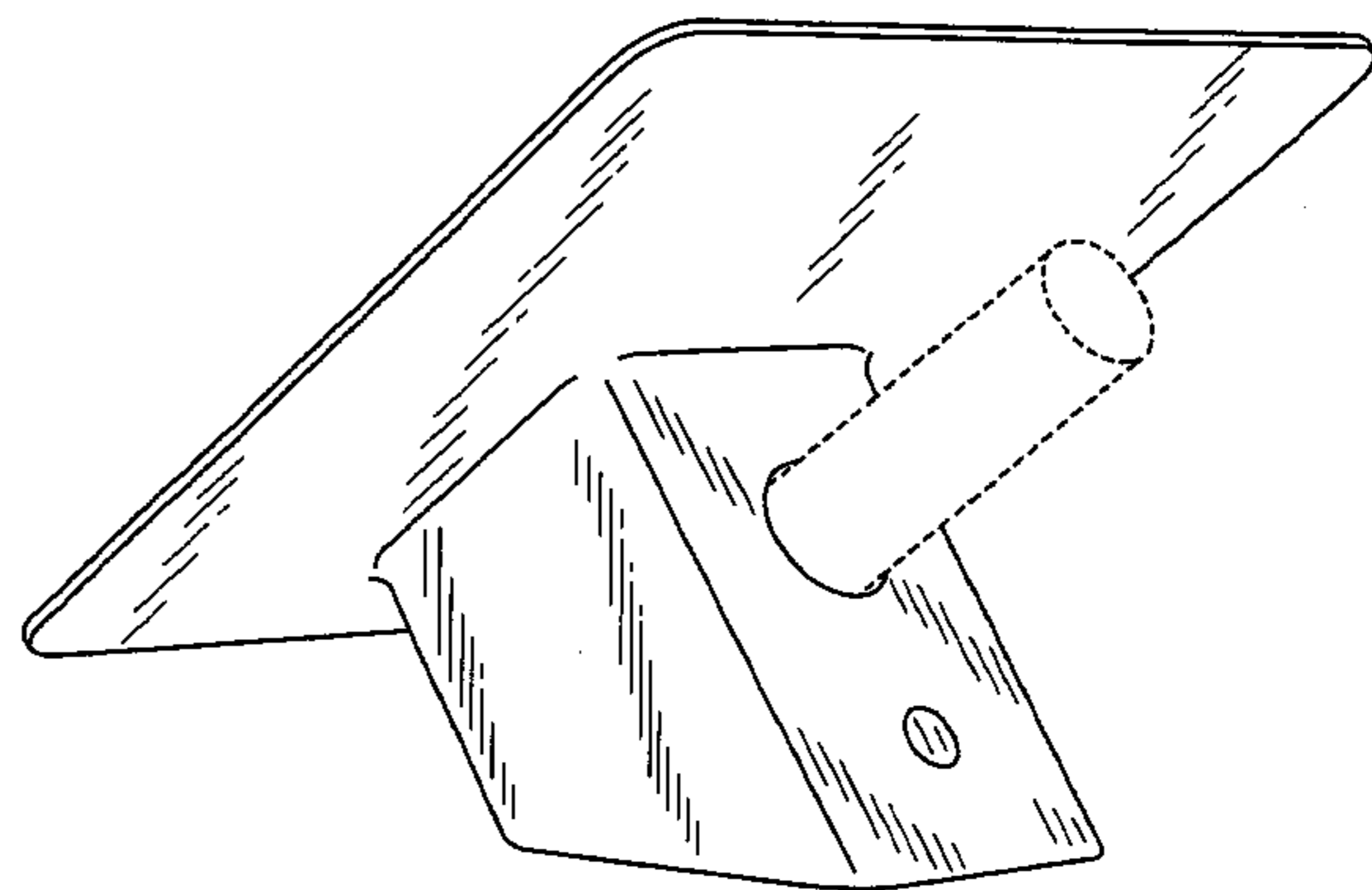
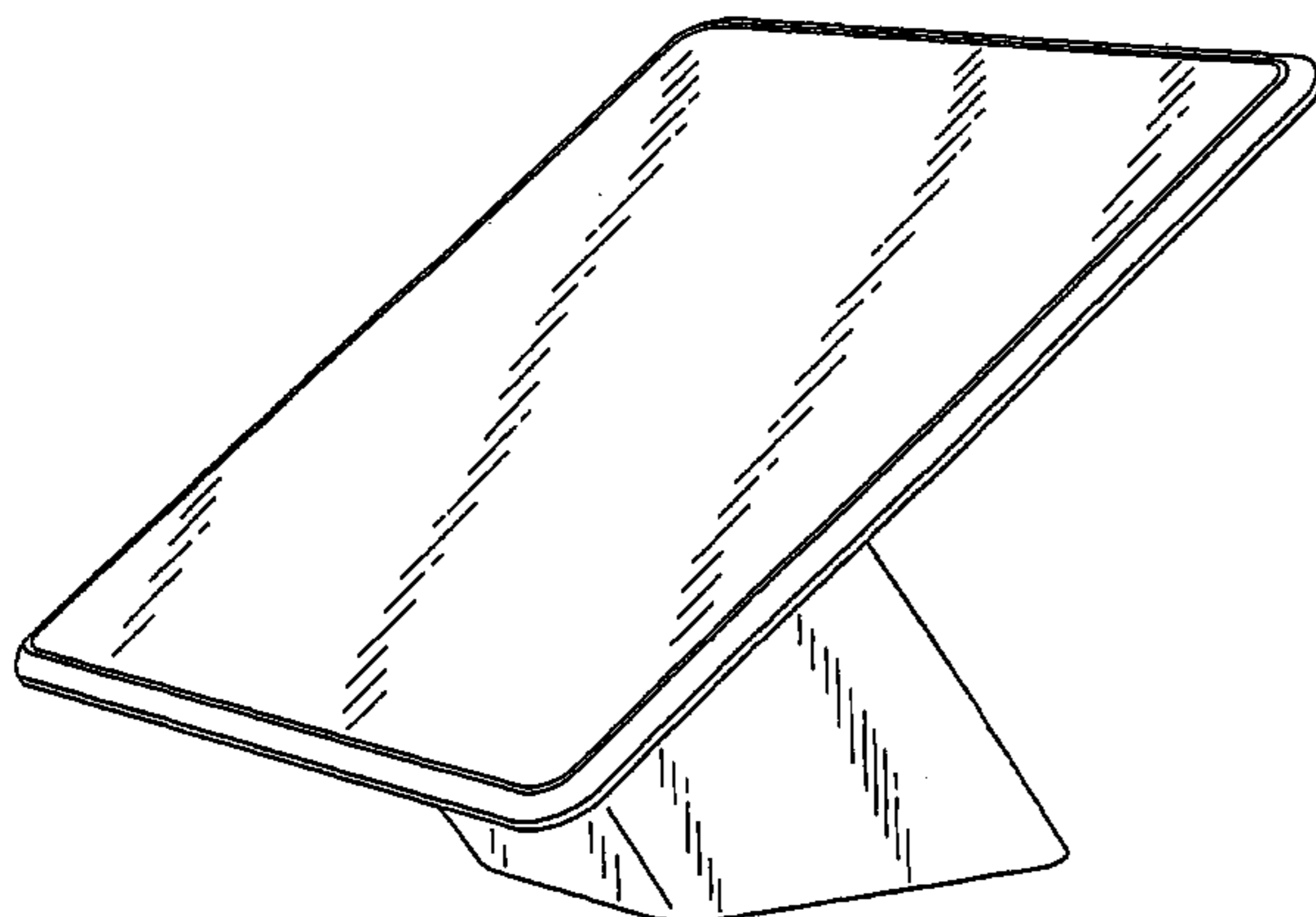


FIG. 1

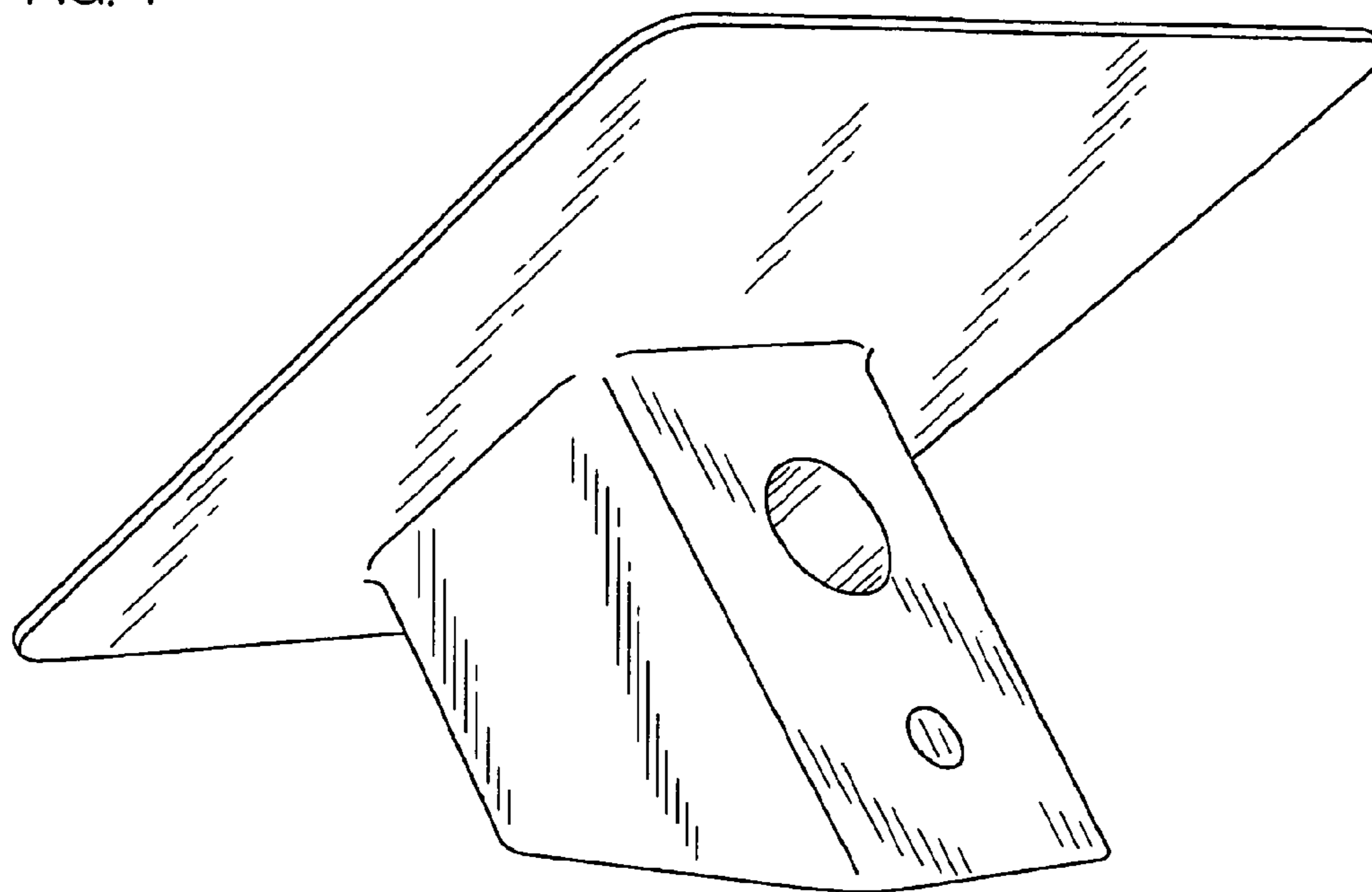


FIG. 2

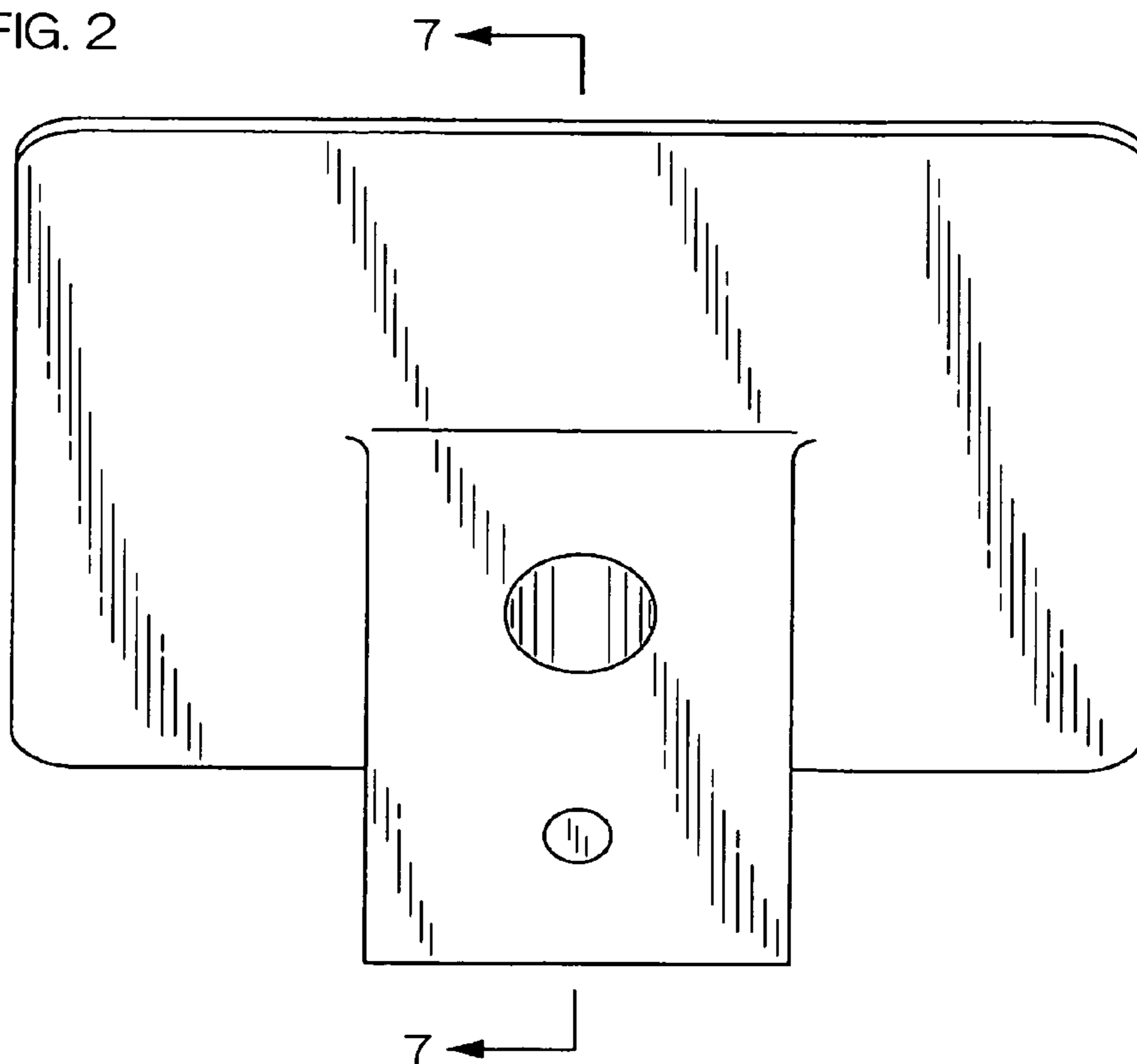


FIG. 3

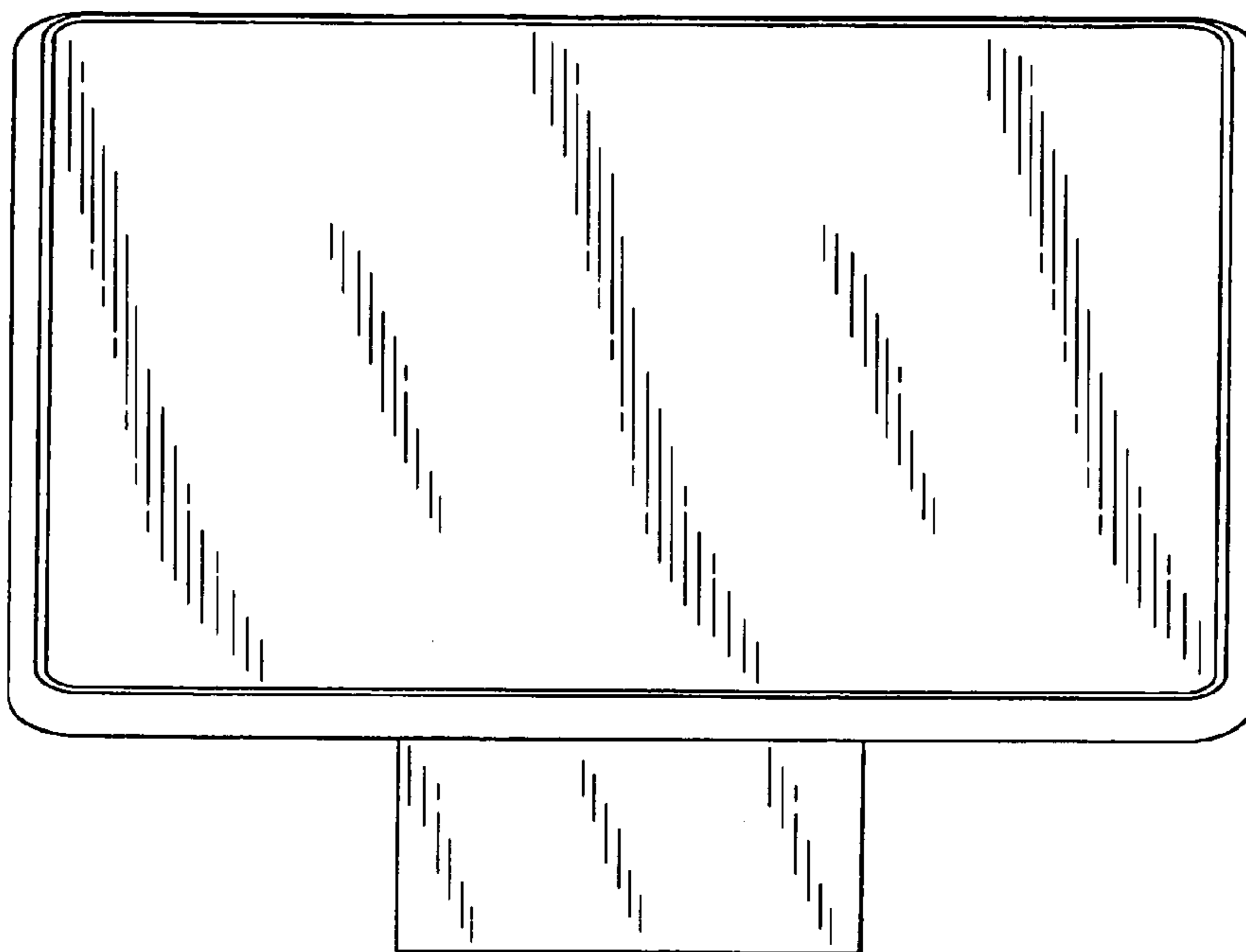


FIG. 4

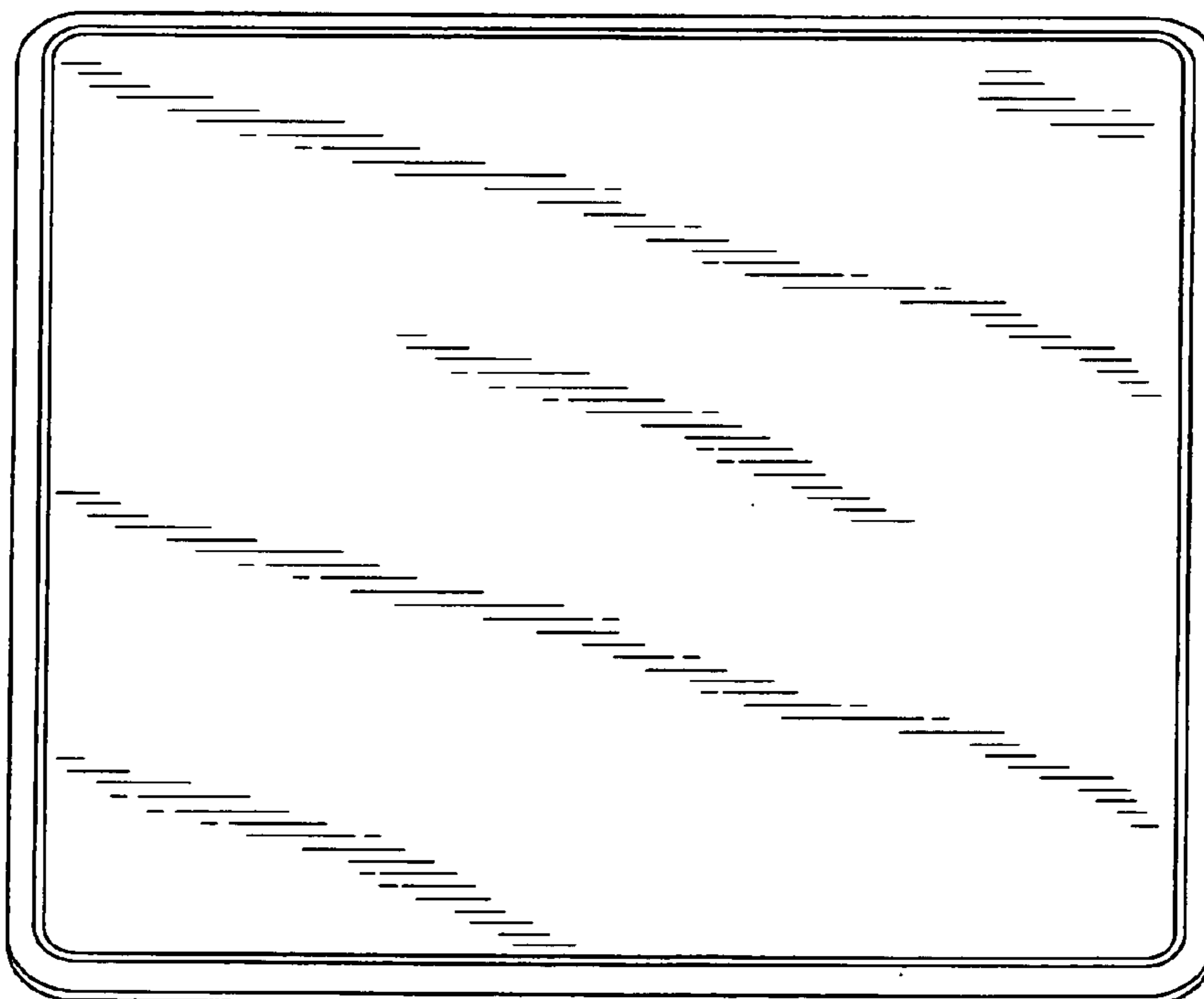


FIG. 5

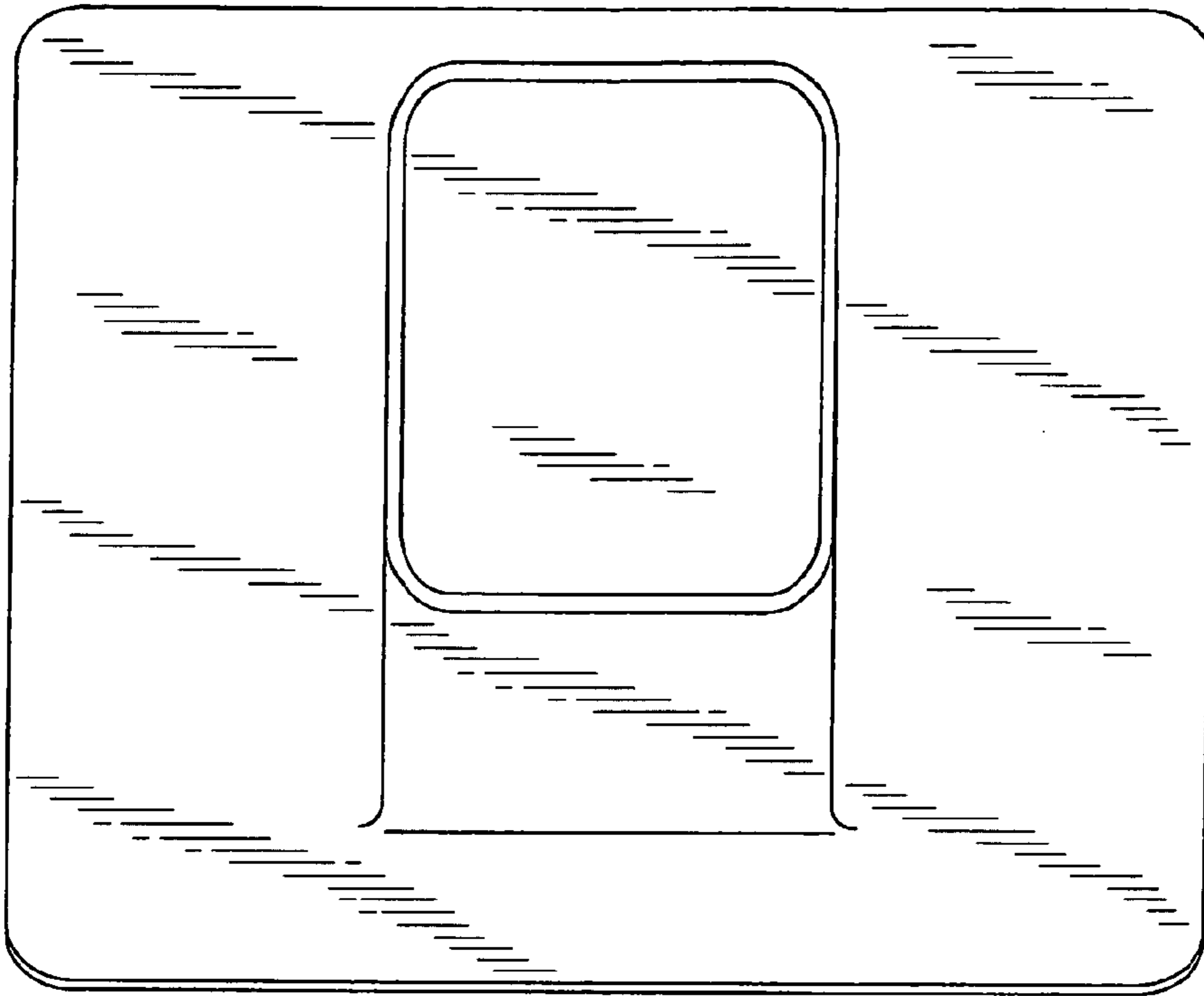


FIG. 6

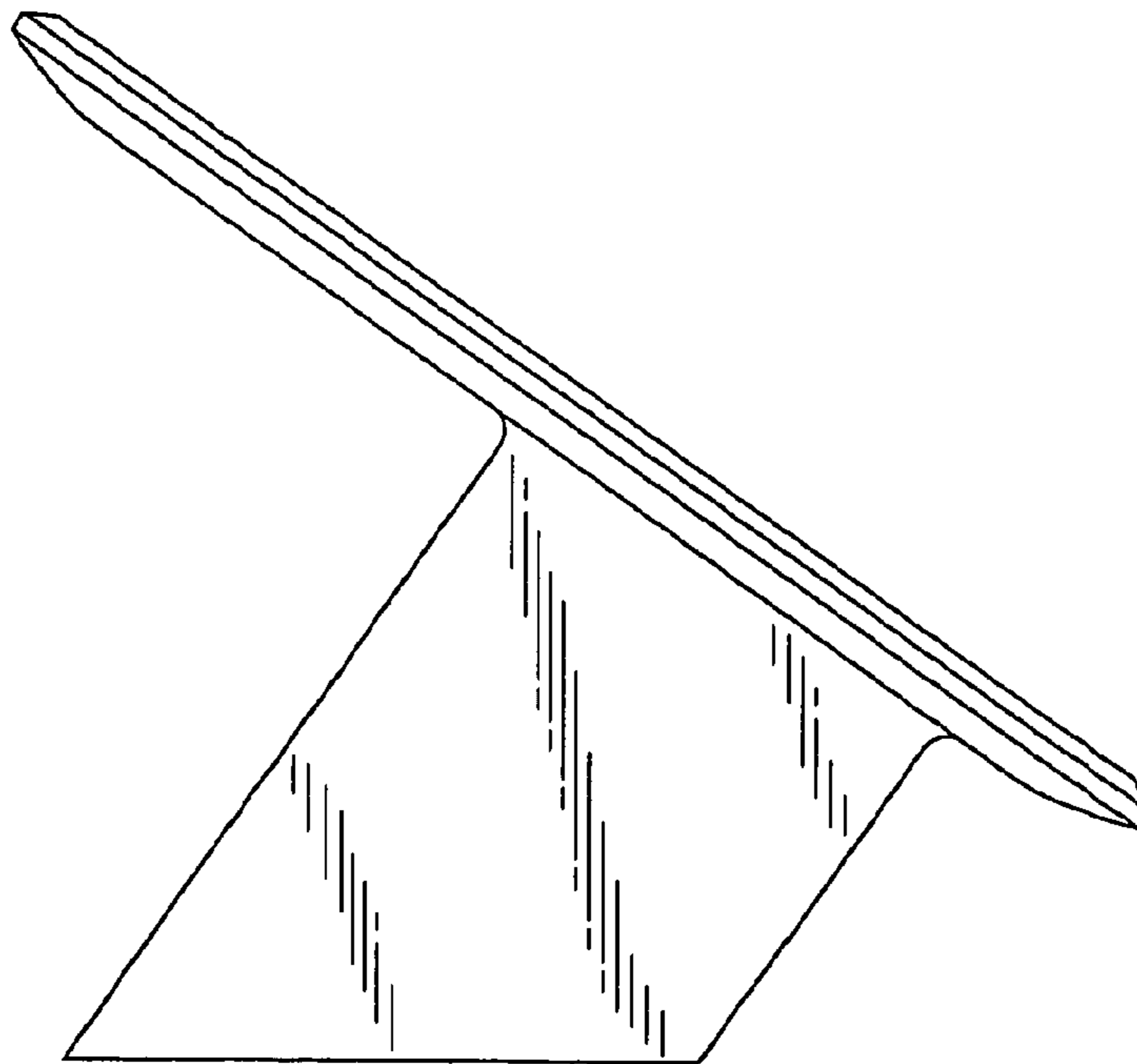


FIG. 7

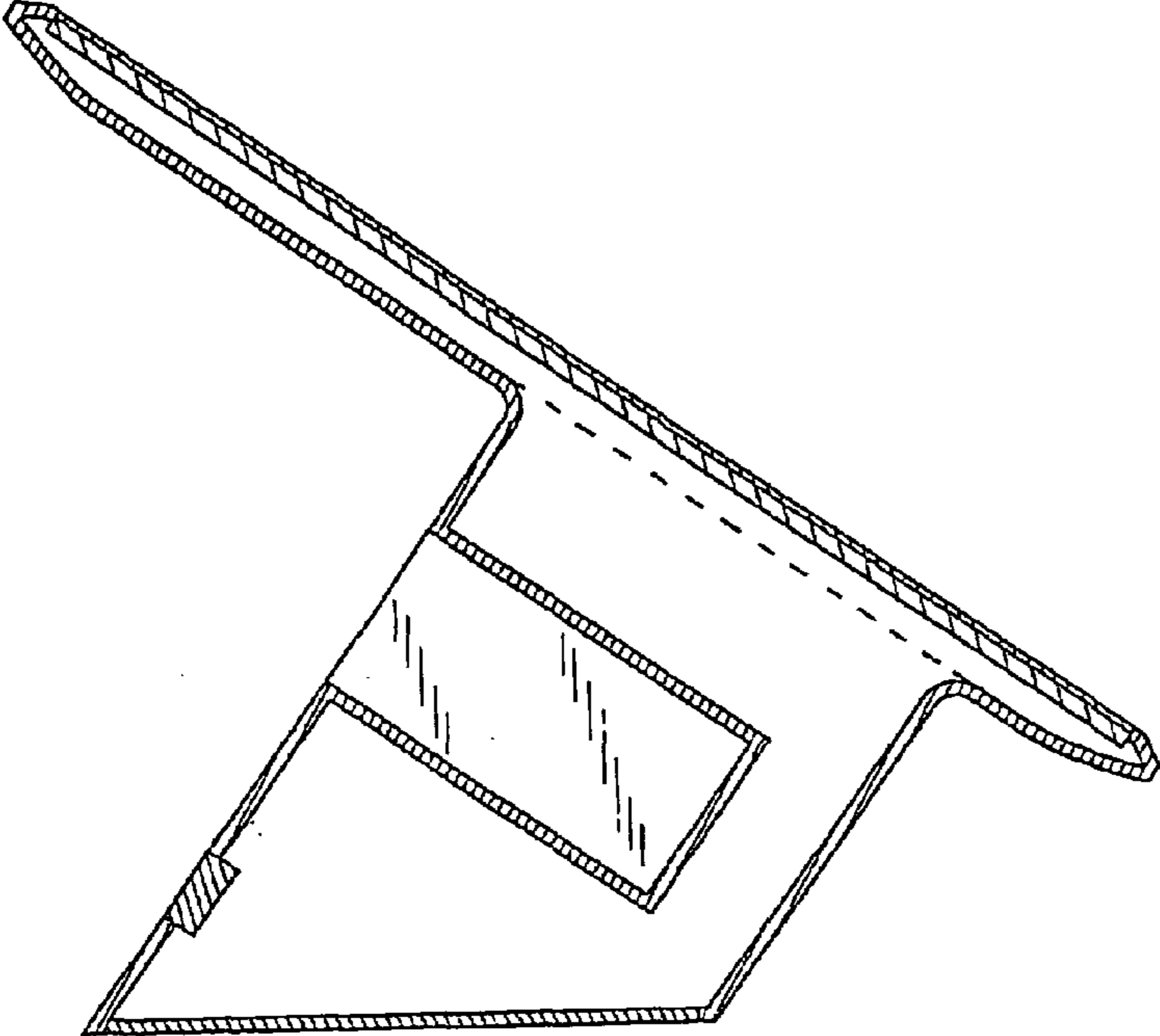


FIG. 8

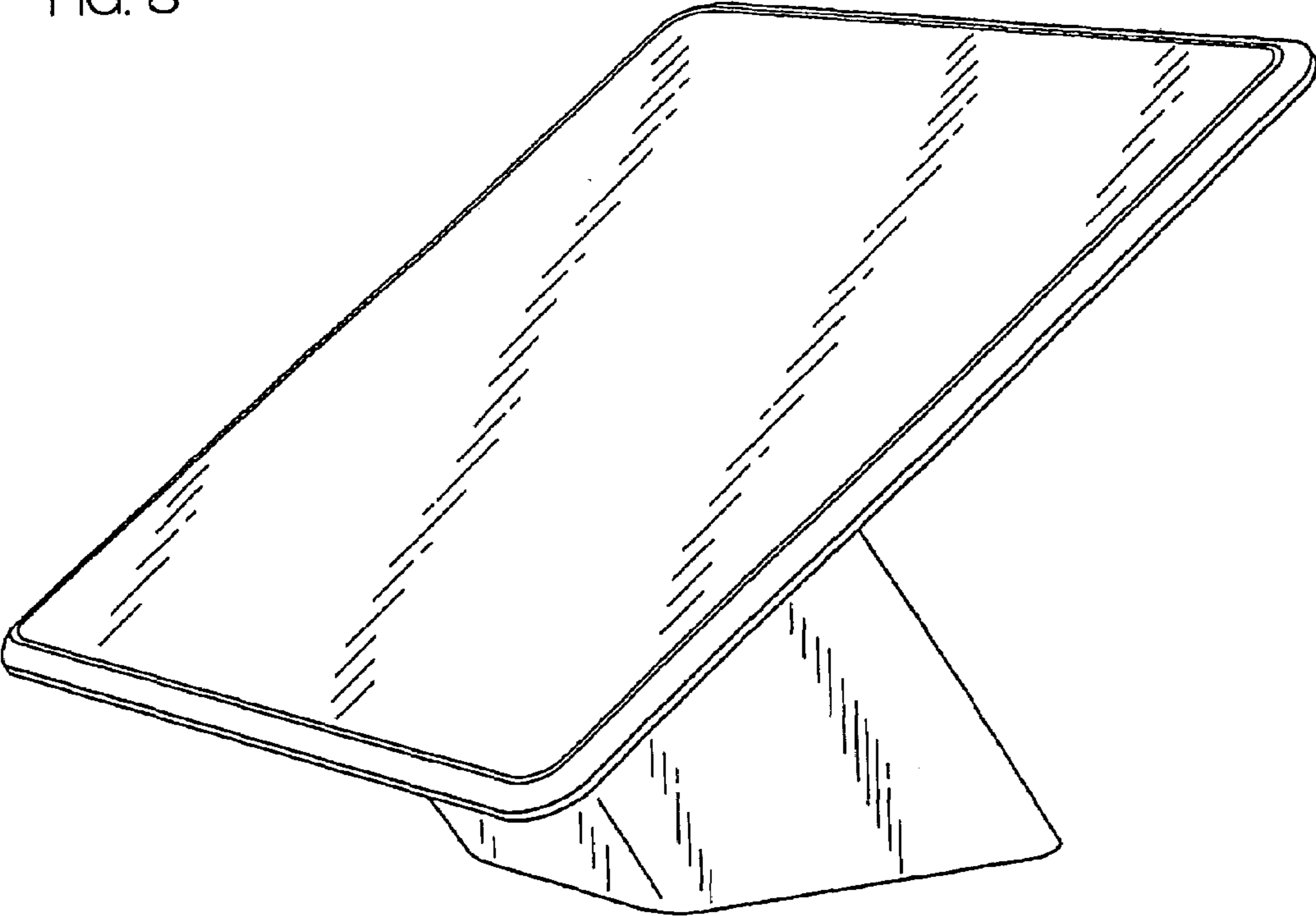


FIG. 9

