

US00D598367S

(12) **United States Design Patent**
de Briey-Terlinden

(10) **Patent No.:** **US D598,367 S**

(45) **Date of Patent:** **** Aug. 18, 2009**

(54) **TIRE**

D579,862 S * 11/2008 Harvey et al. D12/553
D583,305 S * 12/2008 Ashton et al. D12/553

(75) Inventor: **Pascale de Briey-Terlinden**, Attert (BE)

* cited by examiner

(73) Assignee: **The Goodyear Tire & Rubber Company**, Akron, OH (US)

Primary Examiner—Stacia Cadmus

(74) *Attorney, Agent, or Firm*—Richard B. O’Planick

(**) Term: **14 Years**

(57) **CLAIM**

(21) Appl. No.: **29/332,886**

The ornamental design for a tire, as shown and described.

(22) Filed: **Feb. 27, 2009**

DESCRIPTION

(51) **LOC (9) Cl.** **12-15**

(52) **U.S. Cl.** **D12/553**

(58) **Field of Classification Search** D12/533,
D12/540, 546–567, 900–901; 152/209.1,
152/209.8–209.19, 209.25, 209.28, 455
See application file for complete search history.

FIG. 1 is a perspective view of a tire showing my new design, it being understood that the pattern repeats uniformly throughout the circumference of the tread;

FIG. 2 is a front elevational view thereof;

FIG. 3 is a right side elevational view thereof; the other side being a mirror image thereof;

FIG. 4 is an enlarged fragmentary front elevational view thereof;

(56) **References Cited**

U.S. PATENT DOCUMENTS

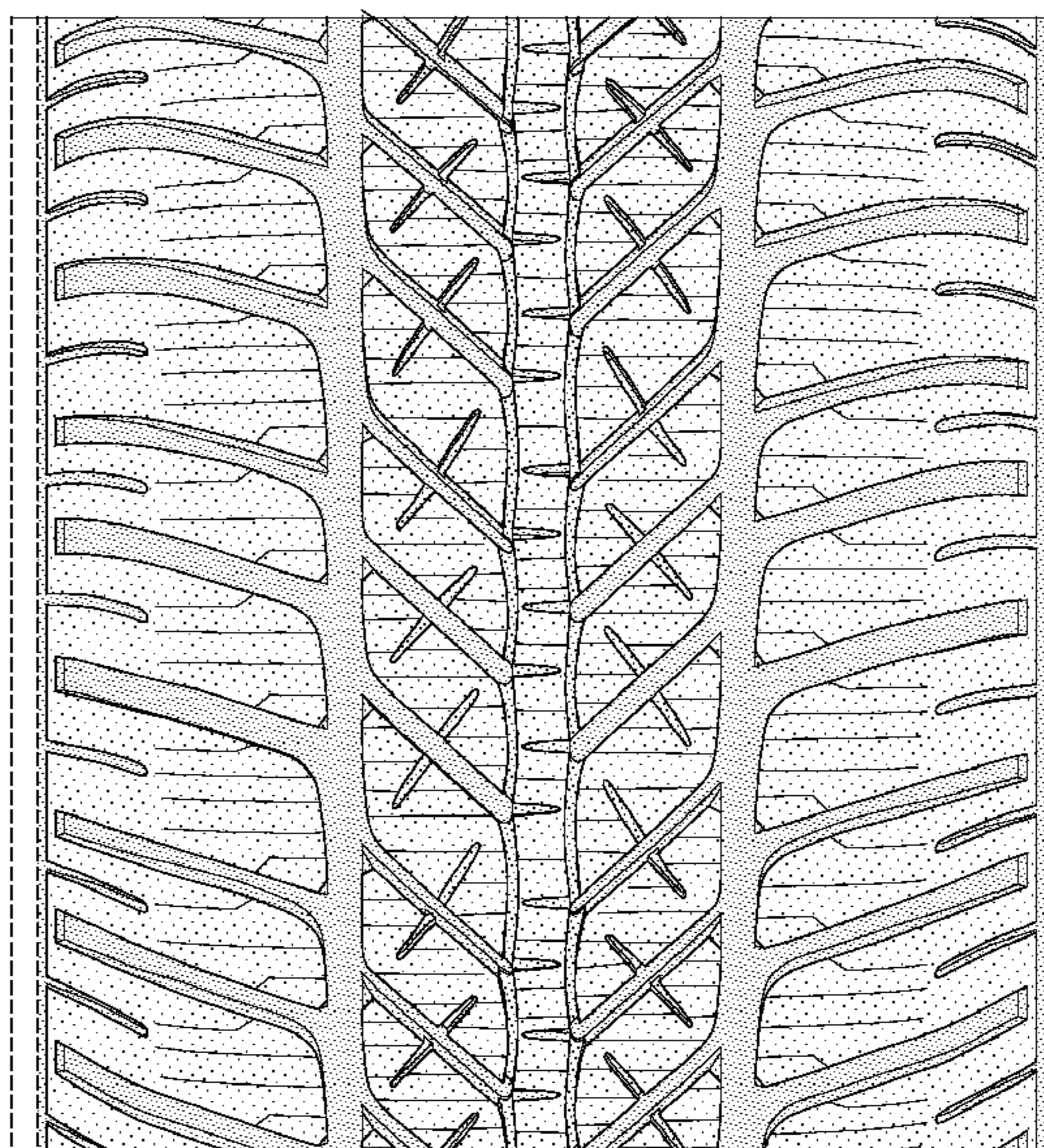
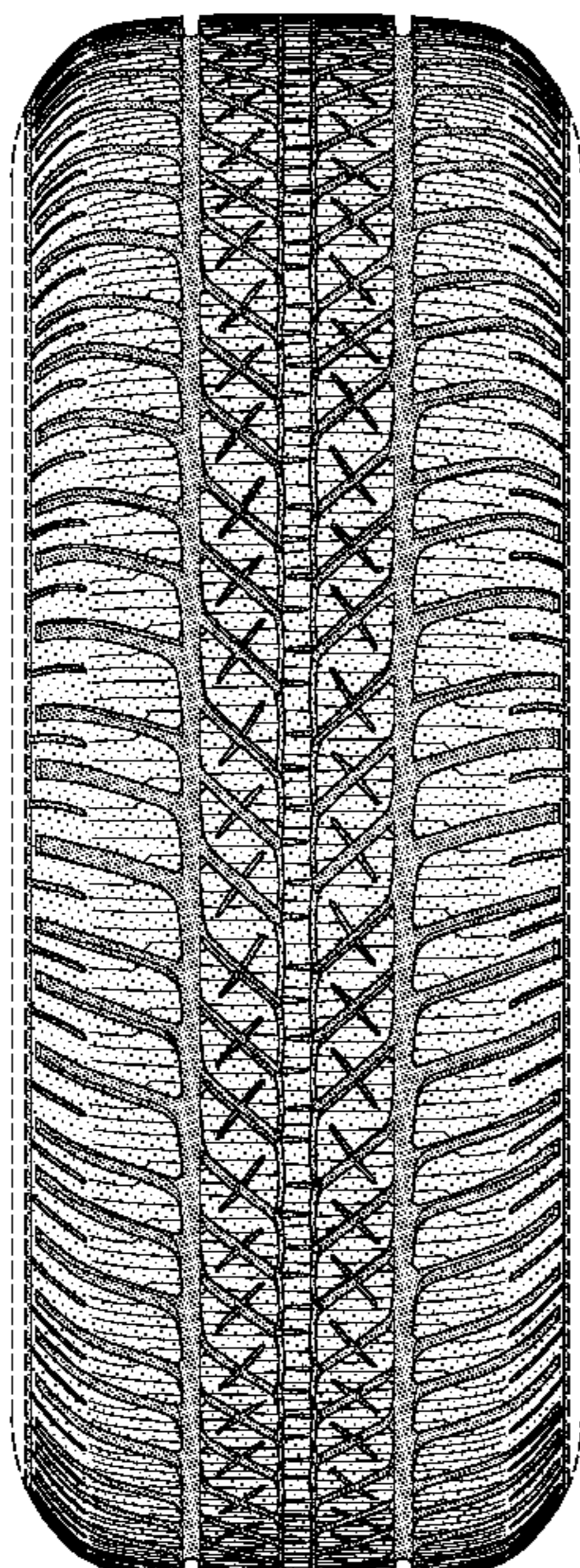
D387,714 S	12/1997	Heinen	D12/147
D431,800 S	10/2000	Heinen et al.	D12/147
D441,328 S	5/2001	Heinen et al.	D12/146
D451,068 S	11/2001	Heinen et al.	D12/547
D491,129 S *	6/2004	Maxwell	D12/553
D501,445 S *	2/2005	Brayer et al.	D12/553
D502,141 S *	2/2005	Marazzi et al.	D12/553
D503,373 S *	3/2005	Marazzi et al.	D12/553
D503,374 S *	3/2005	Maxwell et al.	D12/553
D504,106 S	4/2005	de Briey-Terlinden et al.	..	D12/553
D504,866 S	5/2005	Collette et al.	D12/553
D505,112 S	5/2005	Heinen et al.	D12/567
D514,059 S *	1/2006	Dixon	D12/552
D534,859 S *	1/2007	Landers et al.	D12/553
D548,678 S	8/2007	Welbes et al.	D12/553

FIG. 5 is a perspective view of a second embodiment of a tire showing my new design, it being understood that the pattern repeats uniformly throughout the circumference of the tread and that the opposite side perspective view is a mirror image thereof; and,

FIG. 6 is a front elevational view of a second embodiment, it being understood that an enlarged fragmentary view thereof would be substantially identical to that shown in FIG. 4, with the exception of the inclusion of the sidewall in solid lines.

In the drawings, the broken lines showing of the sidewall, inner bead and the peripheral boundary between the tire tread and the sidewall in FIGS. 1 through 4 depict environmental subject matter and form no part of the claimed design.

1 Claim, 6 Drawing Sheets



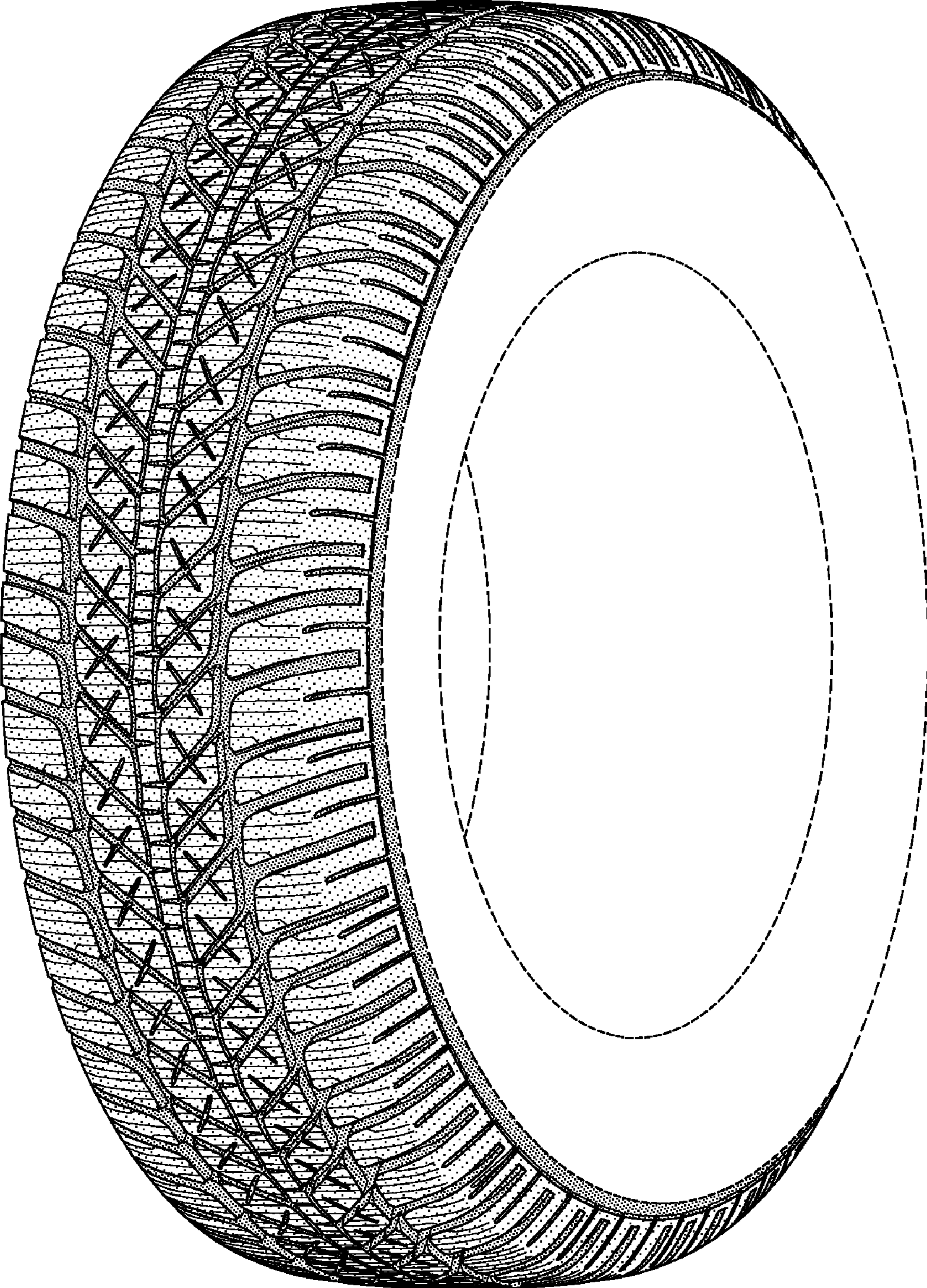


FIG-1

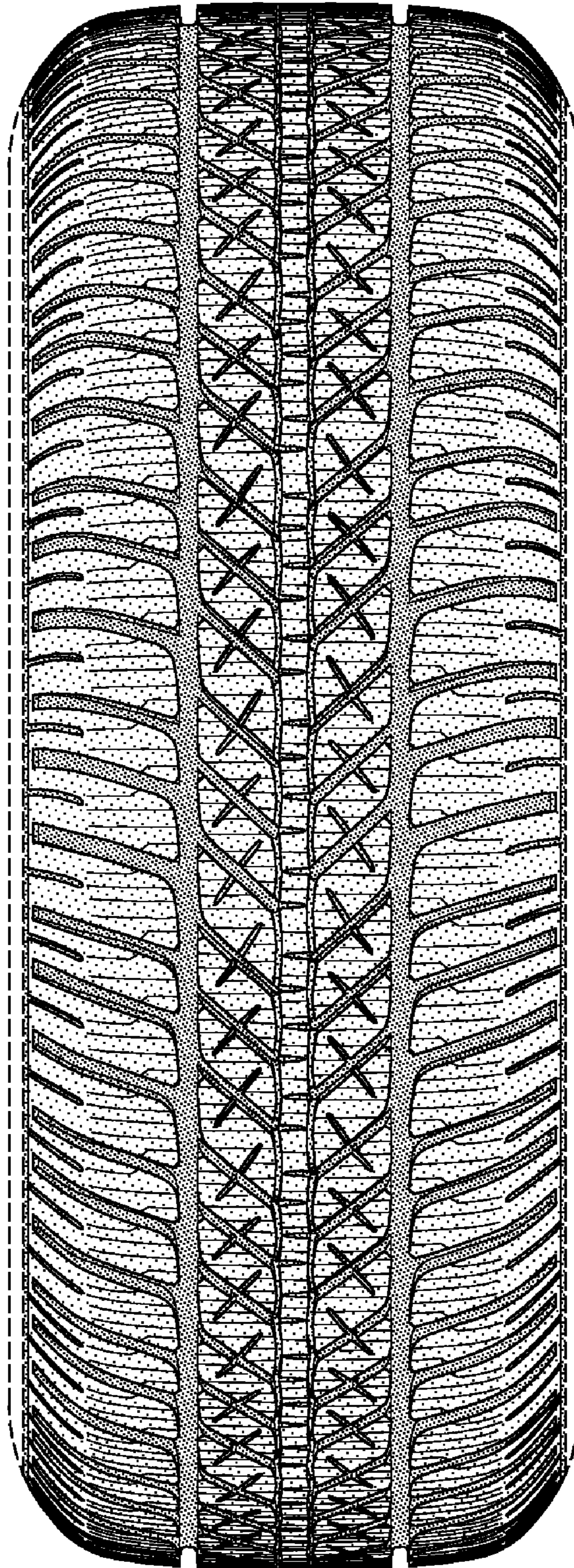


FIG-2

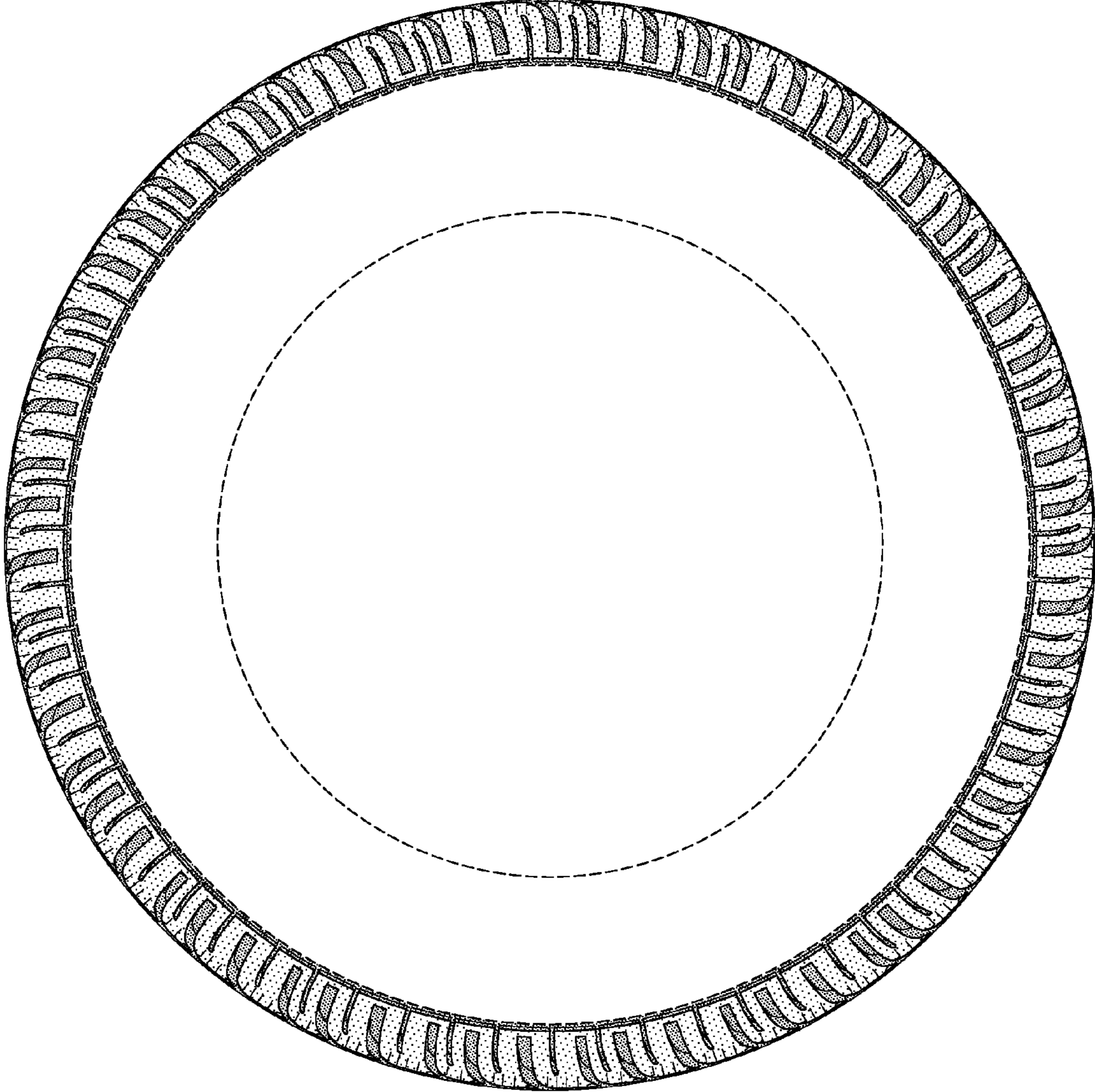


FIG-3

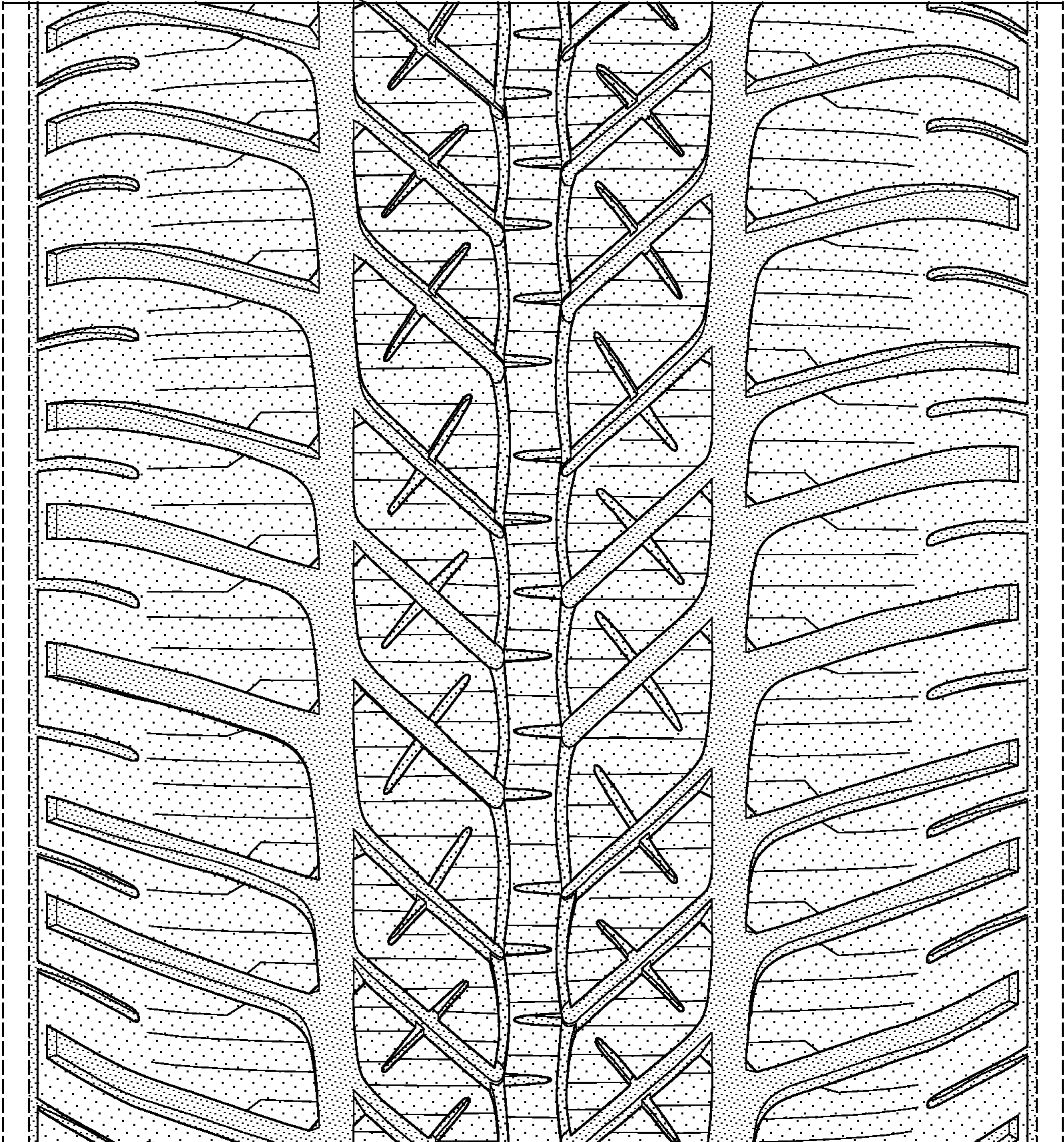


FIG-4

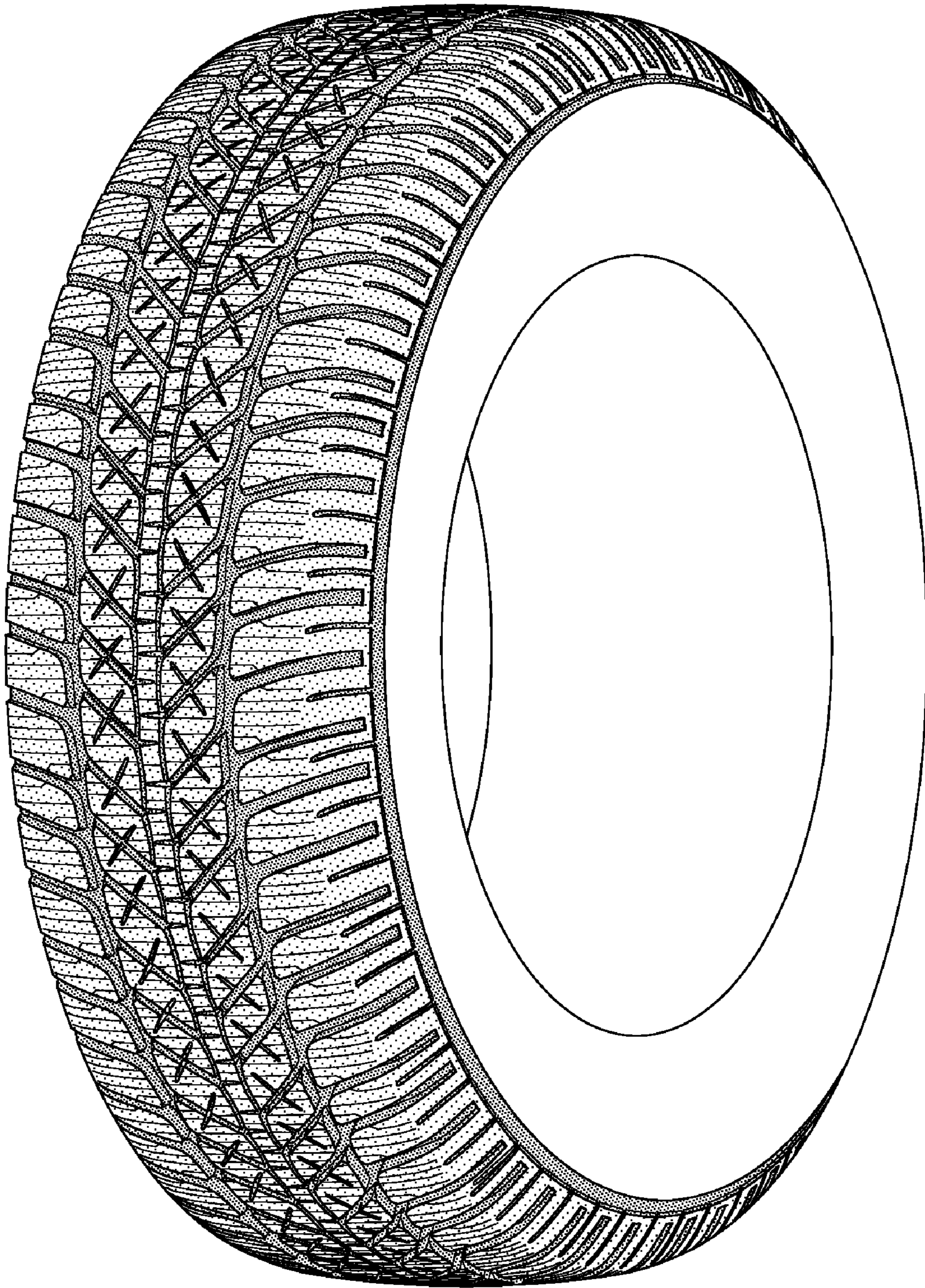


FIG-5

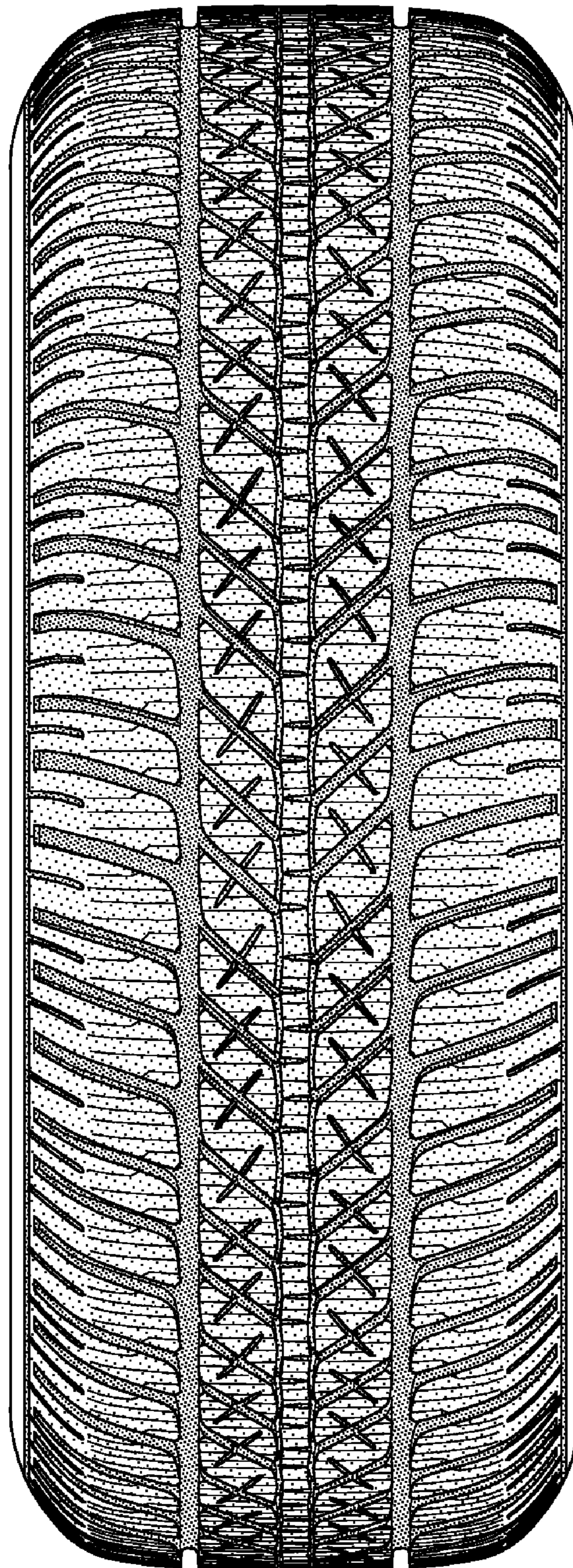


FIG-6