



US00D598354S

(12) **United States Design Patent**
Nakazawa et al.

(10) **Patent No.:** **US D598,354 S**
(45) **Date of Patent:** **** Aug. 18, 2009**

(54) **MOTORCYCLE MUFFLER**

(57) **CLAIM**

(75) Inventors: **Tetsuya Nakazawa**, Saitama-ken (JP);
Toshiaki Kishi, Saitama-ken (JP)

The ornamental design for a motorcycle muffler, as shown and described.

(73) Assignee: **Honda Motor Co., Ltd.**, Tokyo (JP)

DESCRIPTION

(**) Term: **14 Years**

FIG. 1 is a perspective view from the front forward side of a motorcycle muffler.

(21) Appl. No.: **29/304,562**

FIG. 2 is a perspective view from the front backward side thereof.

(22) Filed: **Mar. 4, 2008**

FIG. 3 is a perspective view from the rear backward side thereof.

(30) **Foreign Application Priority Data**

FIG. 4 is a front elevation view thereof.

Sep. 5, 2007 (JP) 2007-024213

FIG. 5 is a rear elevation view thereof.

(51) **LOC (9) Cl.** **12-16**

FIG. 6 is a top plan view thereof.

(52) **U.S. Cl.** **D12/194**

FIG. 7 is a bottom plan view thereof.

(58) **Field of Classification Search** D12/194;
280/152.1, 152.2, 152.3, 160.1, 304.3, 770,
280/848, 852; D15/5; 181/227, 228, 247,
181/248, 249, 250, 251, 264, 282; 180/225,
180/229, 296, 309, 89.2, 219; D21/145,
D21/146, 147

FIG. 8 is a left side elevation view thereof

FIG. 9 is an enlarged perspective view from the front forward side of the vicinity of the claimed design.

See application file for complete search history.

FIG. 10 is an enlarged perspective view from the front backward side of the vicinity of the claimed design.

(56) **References Cited**

FIG. 11 is an enlarged front elevation view of the vicinity of the claimed design.

U.S. PATENT DOCUMENTS

FIG. 12 is an enlarged left side elevation view of the vicinity of the claimed design.

D460,726 S * 7/2002 Campbell et al. D12/194

FIG. 13 is an enlarged top plan view of the vicinity of the claimed design.

D467,846 S * 12/2002 McGee D12/194

FIG. 14 is an enlarged bottom plan view of the vicinity of the claimed design; and,

2003/0079938 A1 * 5/2003 Yamaguchi 181/227

FIG. 15 is an enlarged rear elevation view of the vicinity of the claimed design.

* cited by examiner

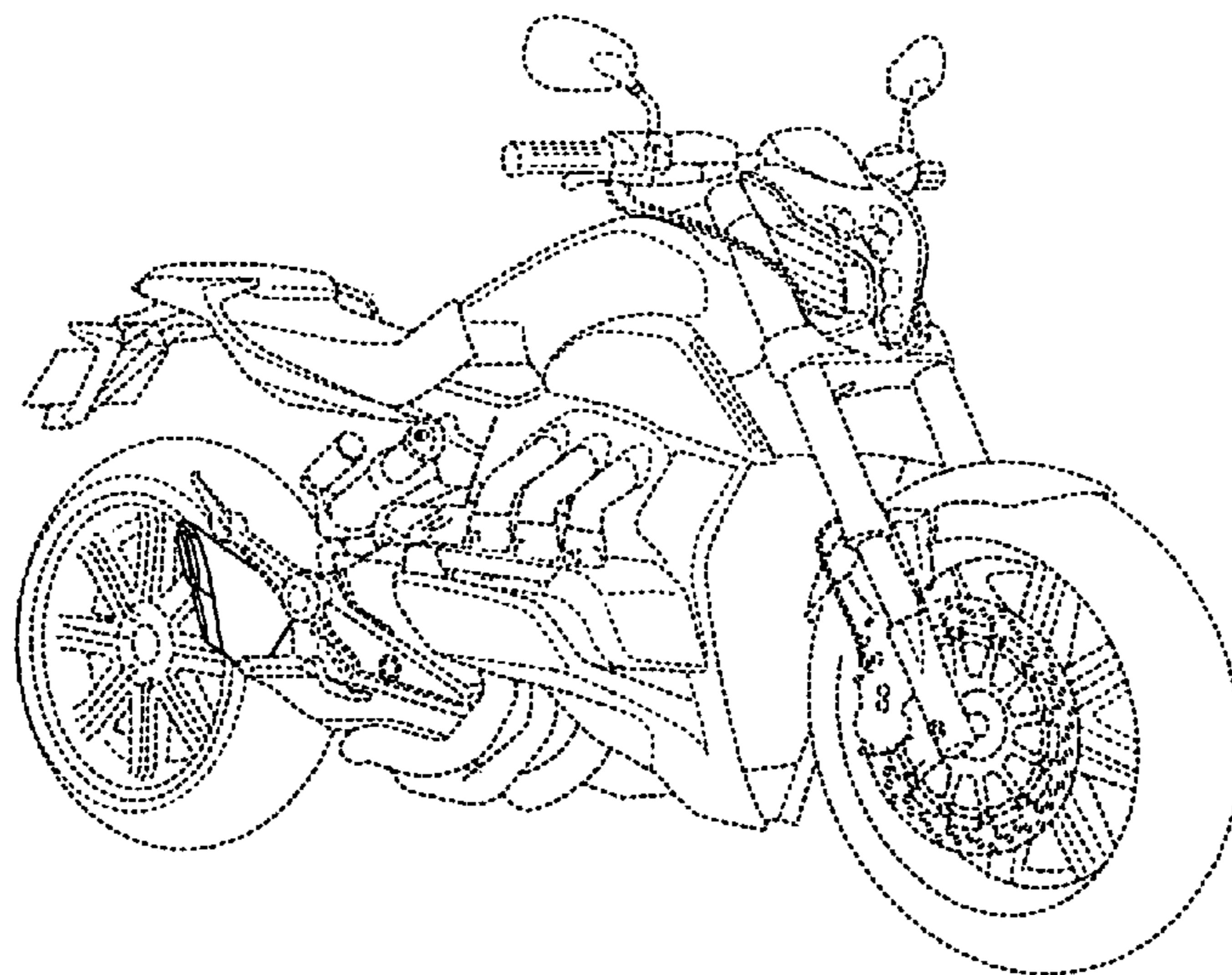
The broken line showing of an entire motorcycle except for a portion of the end of the exhaust system as shown in FIGS. 1-15 is included for the purpose of illustrating environment and forms no part of the claimed design.

Primary Examiner—T. Chase Nelson

Assistant Examiner—Michael A Pratt

(74) *Attorney, Agent, or Firm*—Westerman, Hattori, Daniels & Adrian, LLP.

1 Claim, 15 Drawing Sheets



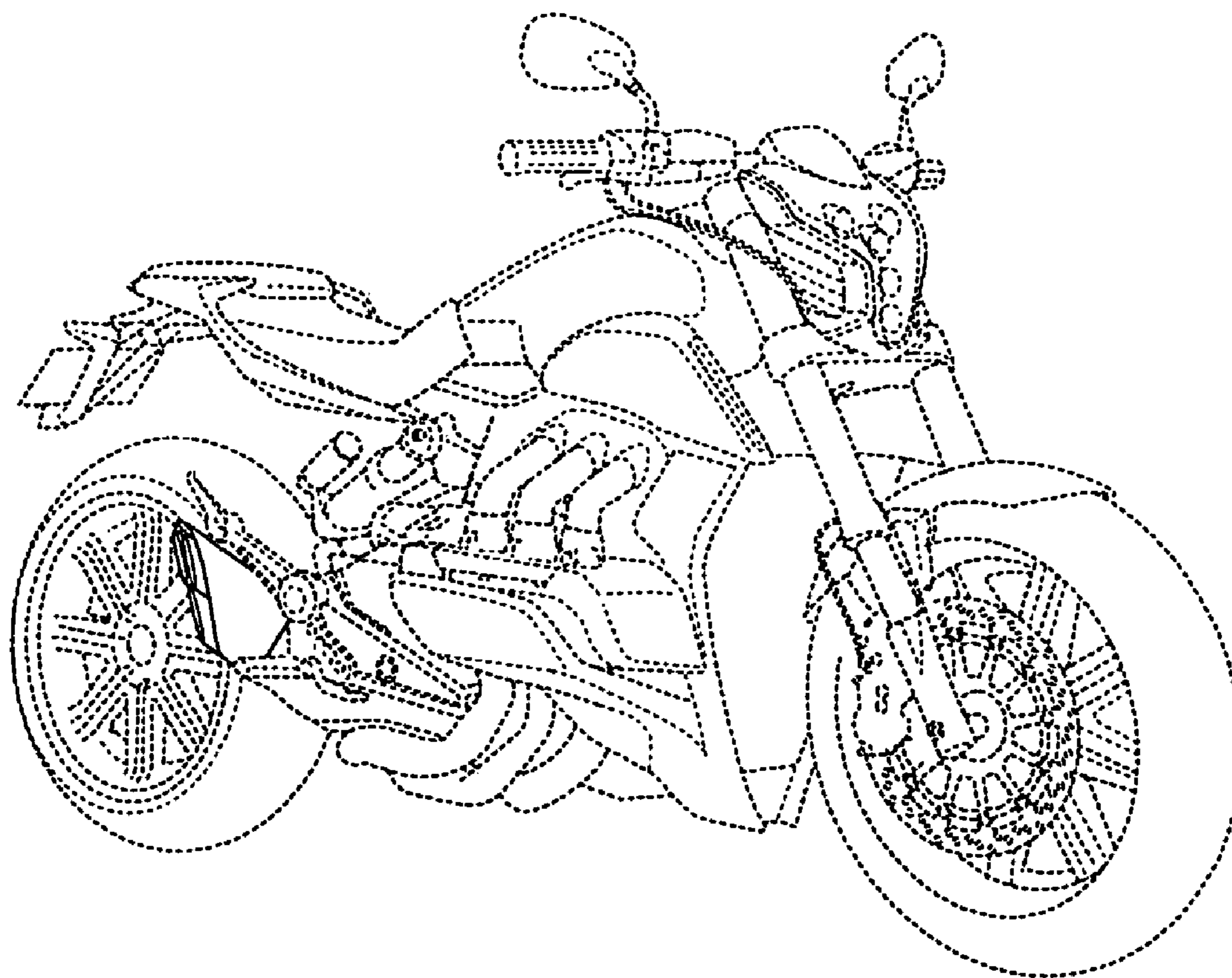


FIG. 1

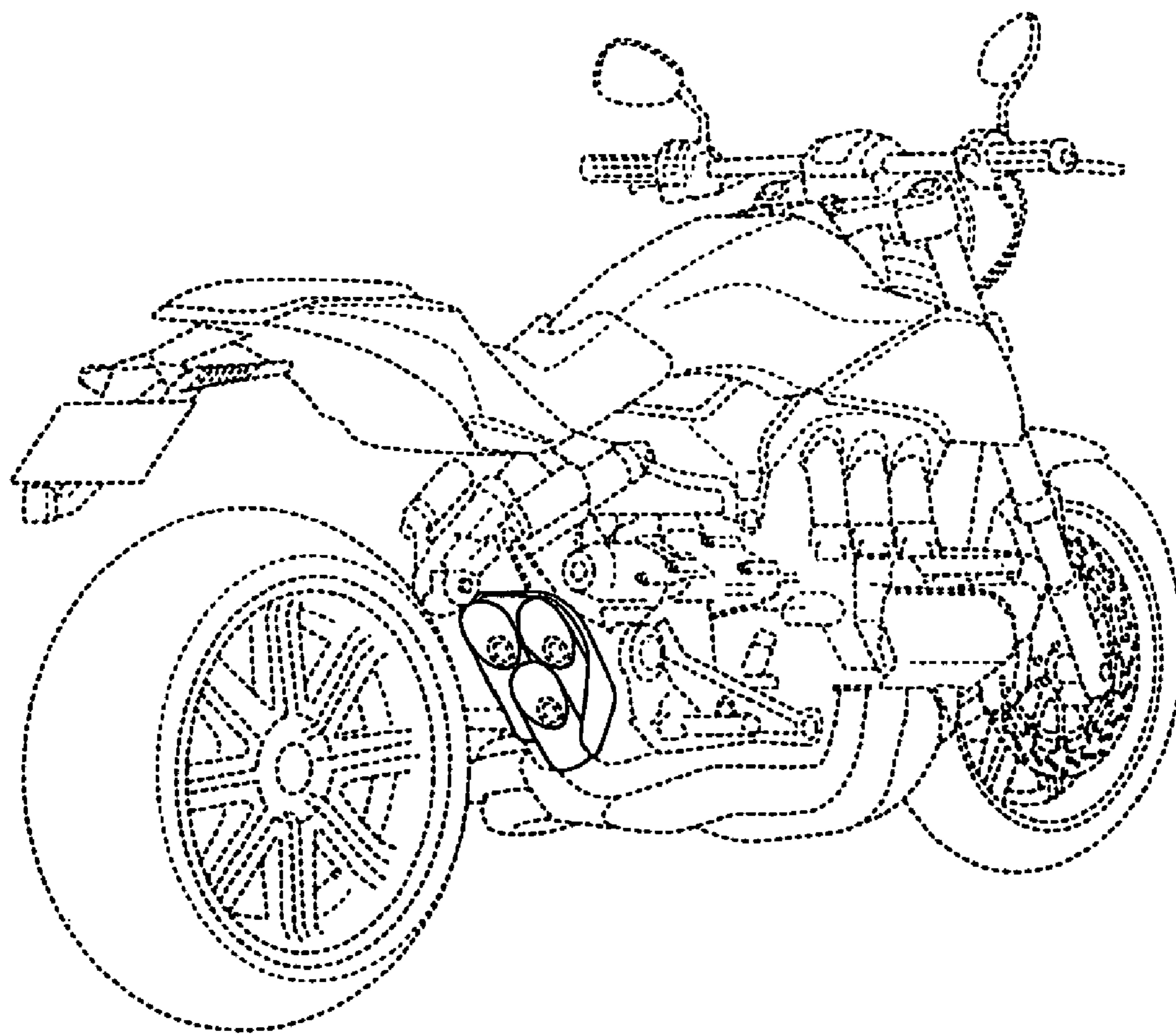


FIG. 2

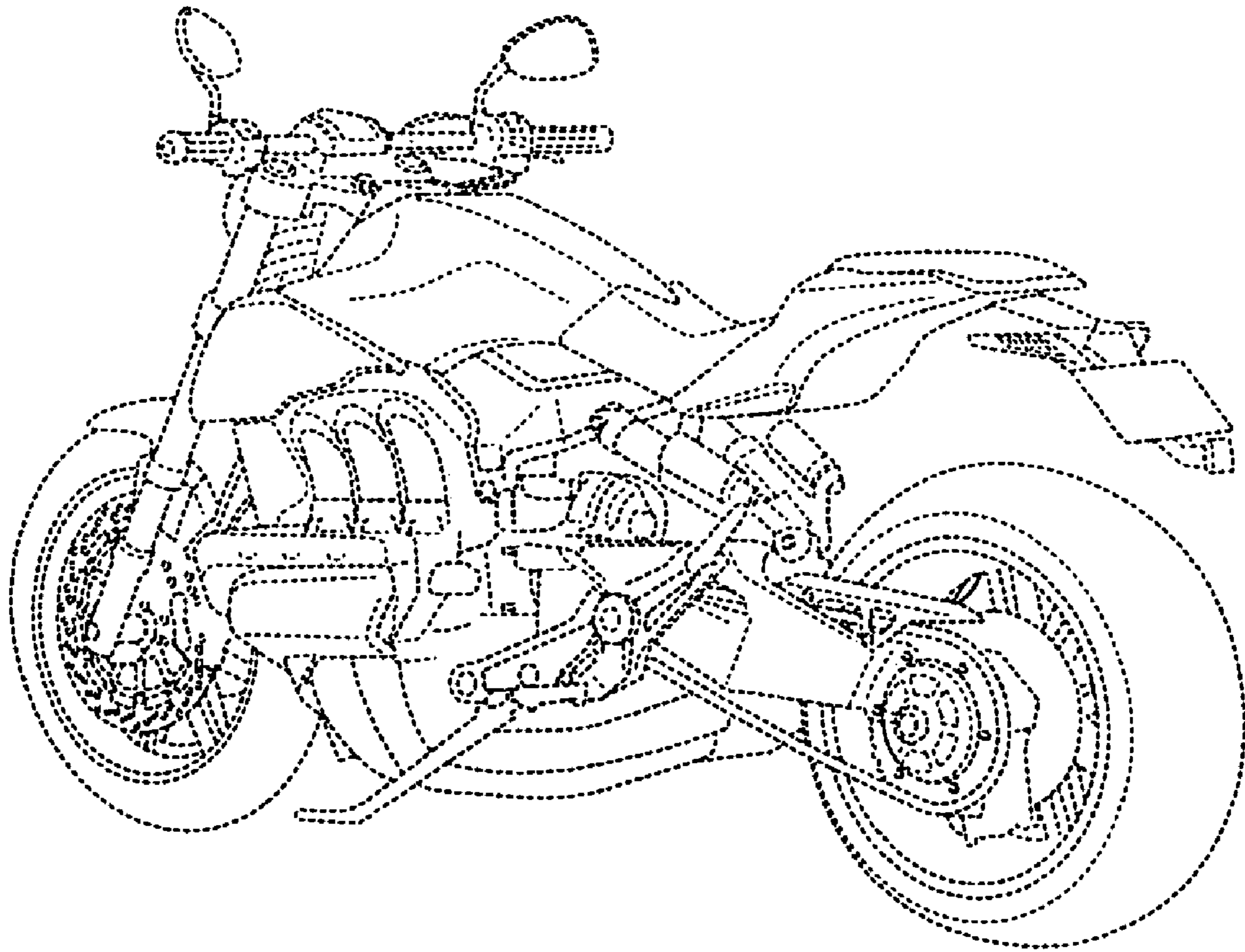


FIG. 3

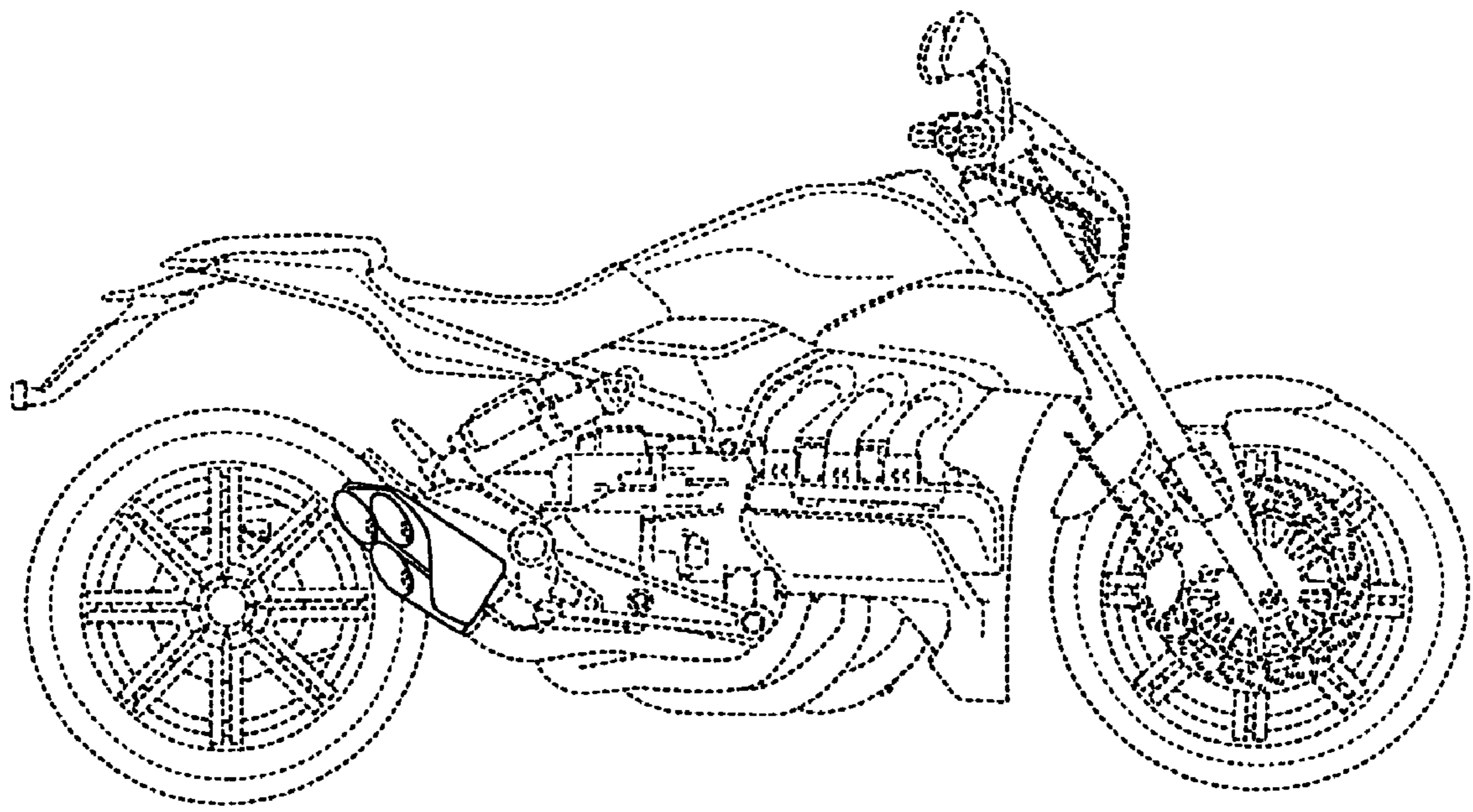


FIG. 4

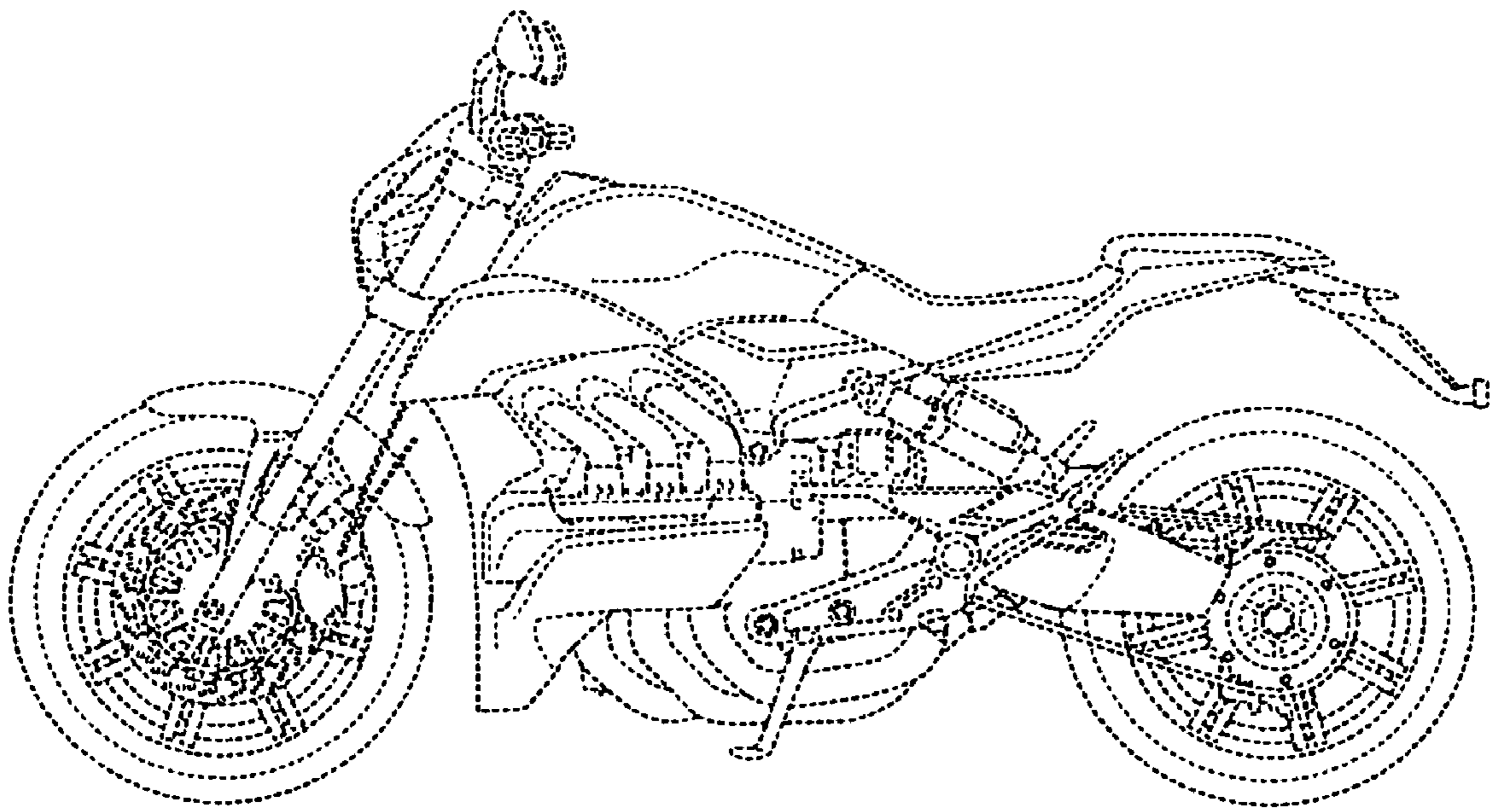


FIG. 5

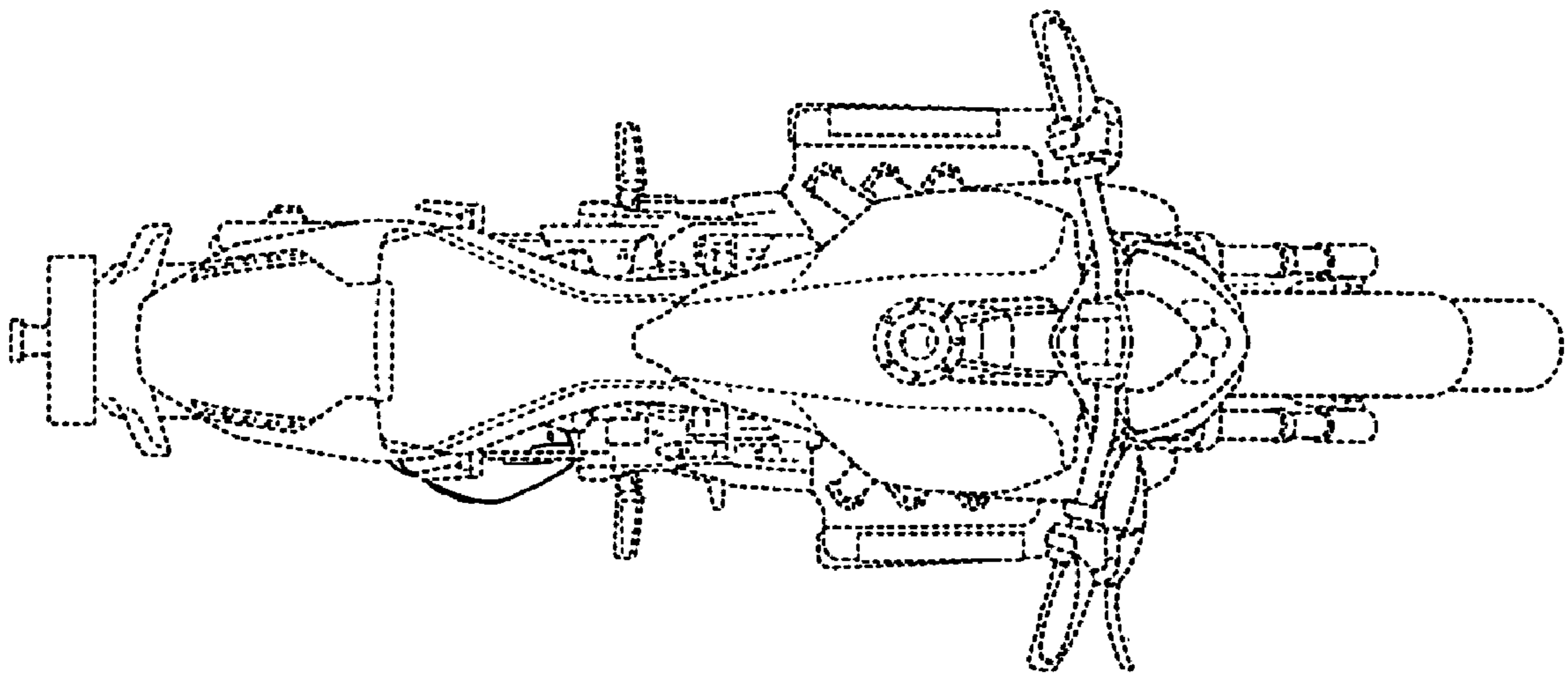


FIG. 6

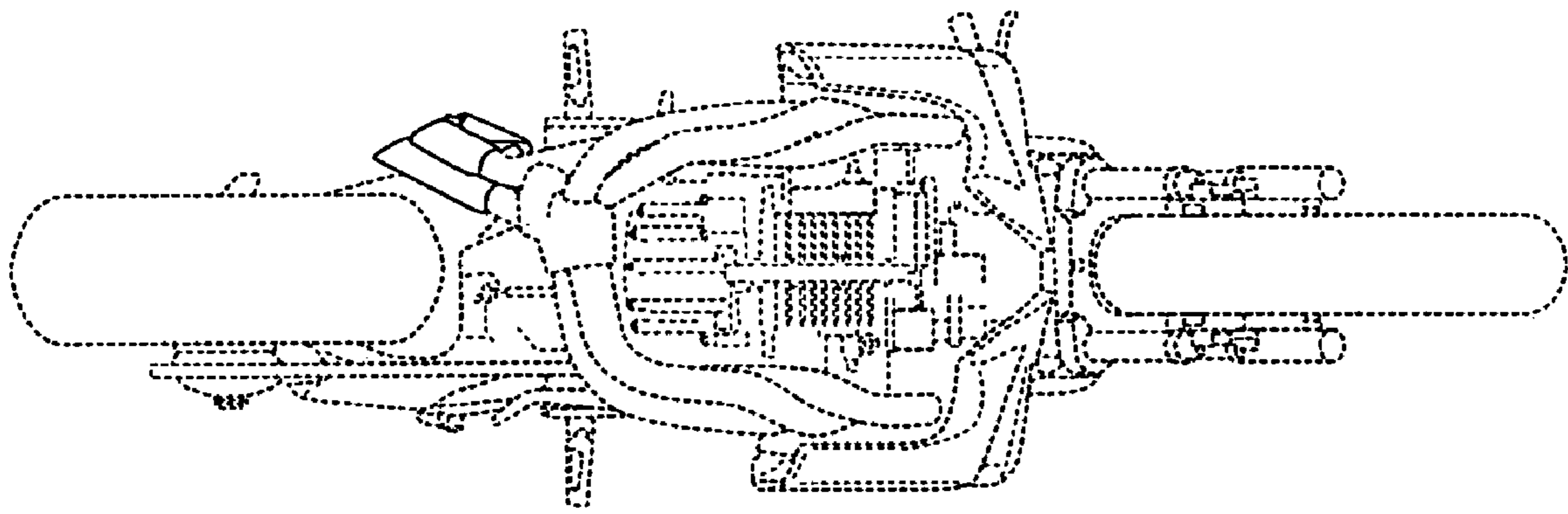


FIG. 7

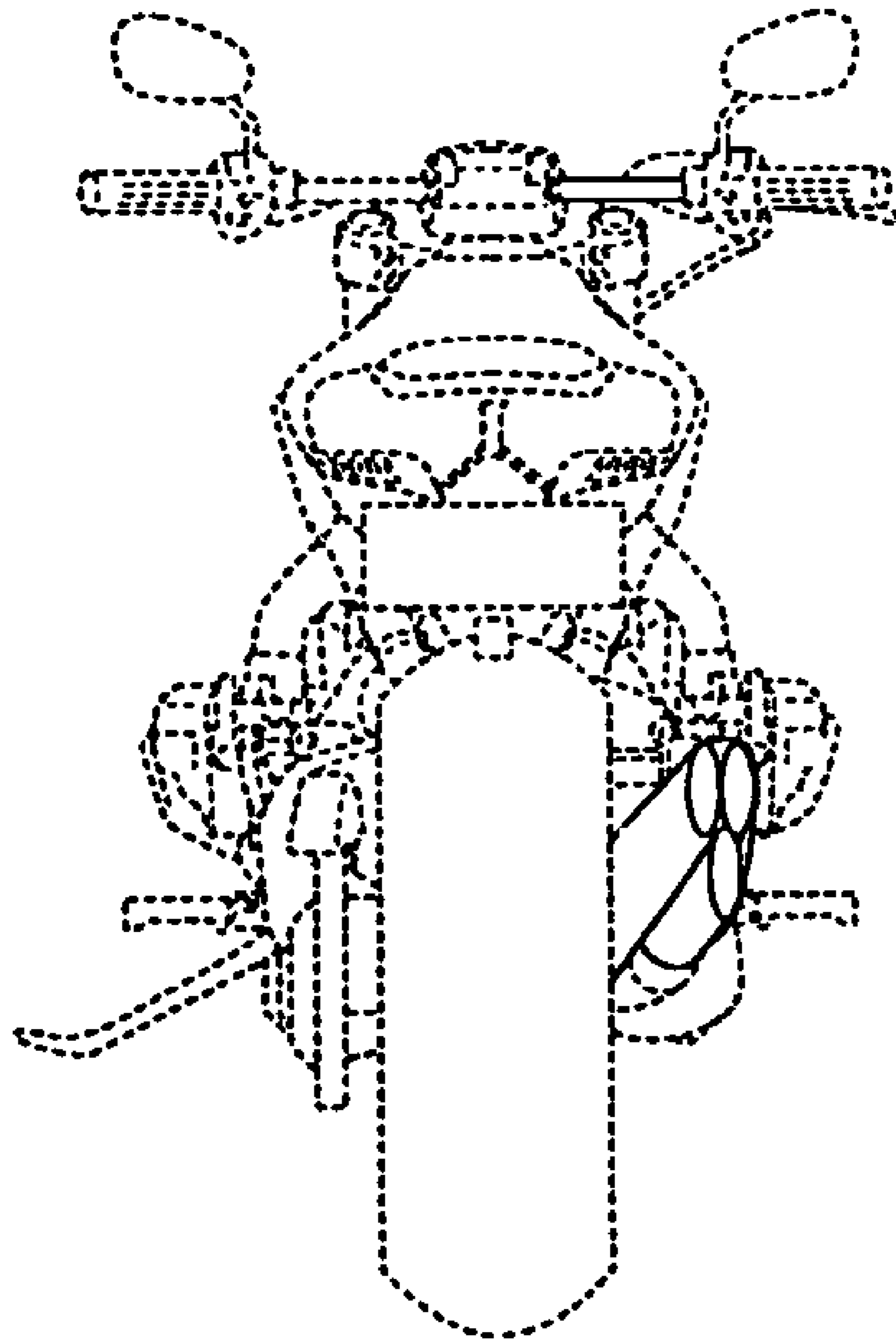


FIG. 8

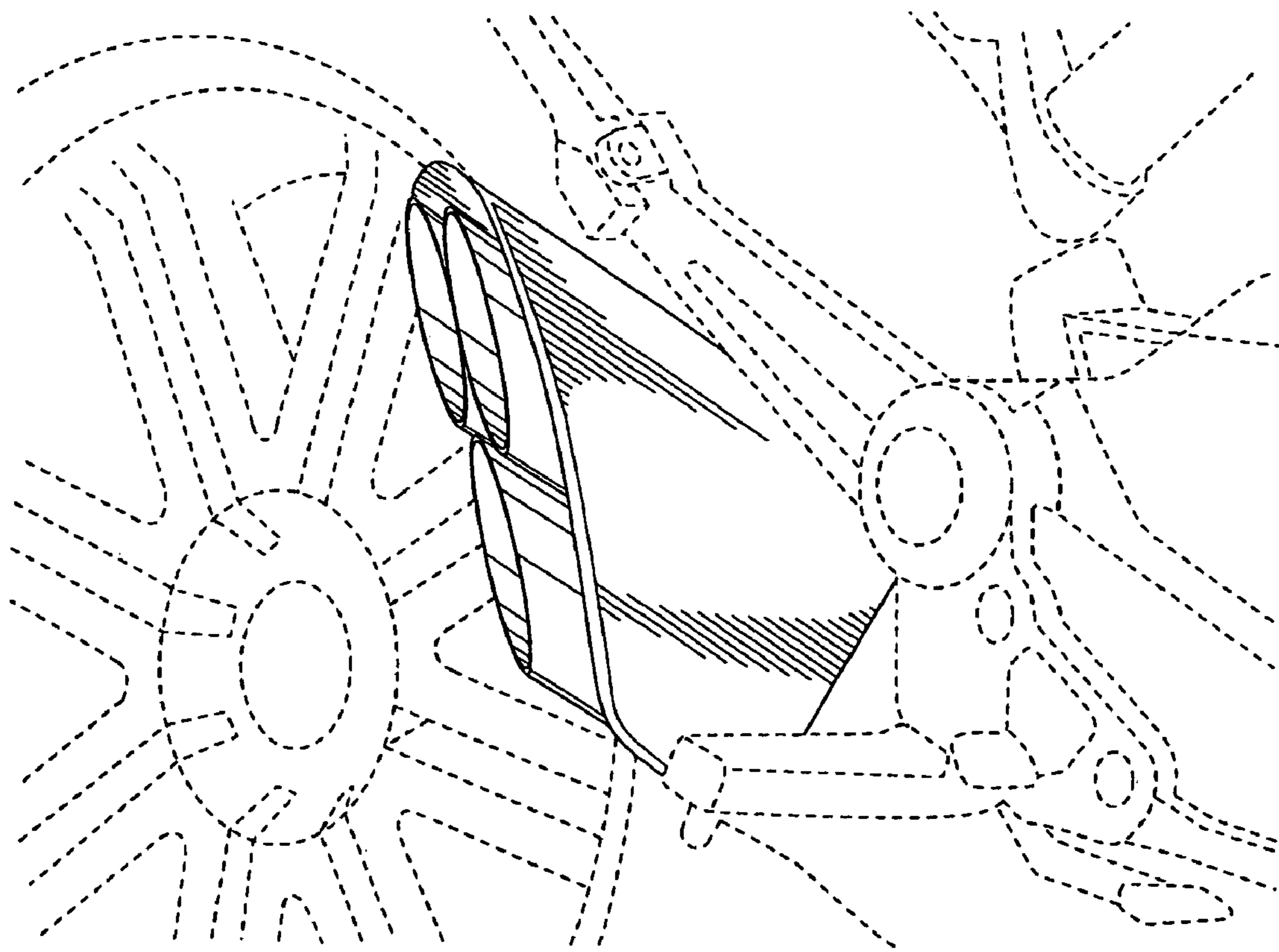


FIG. 9

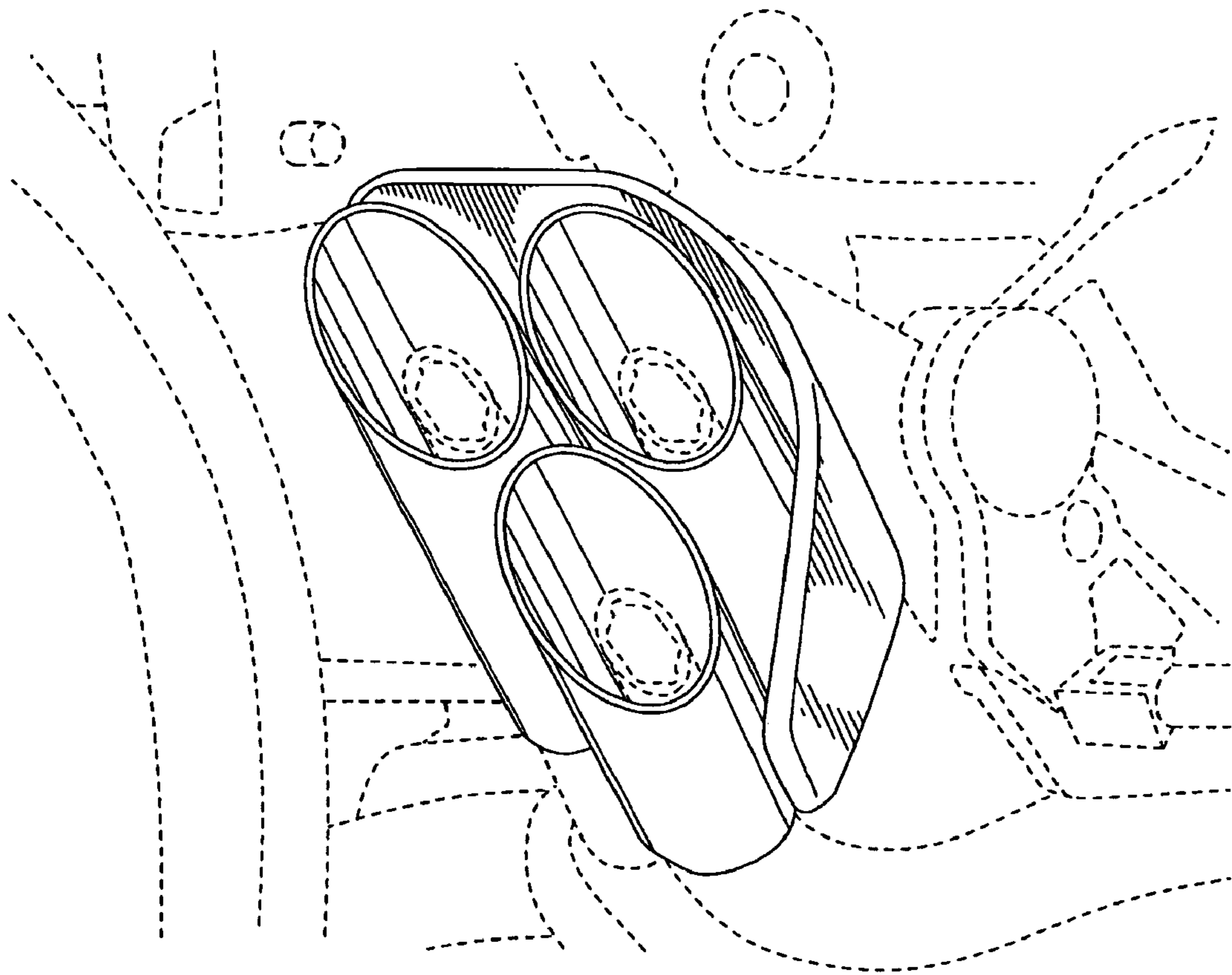


FIG. 10

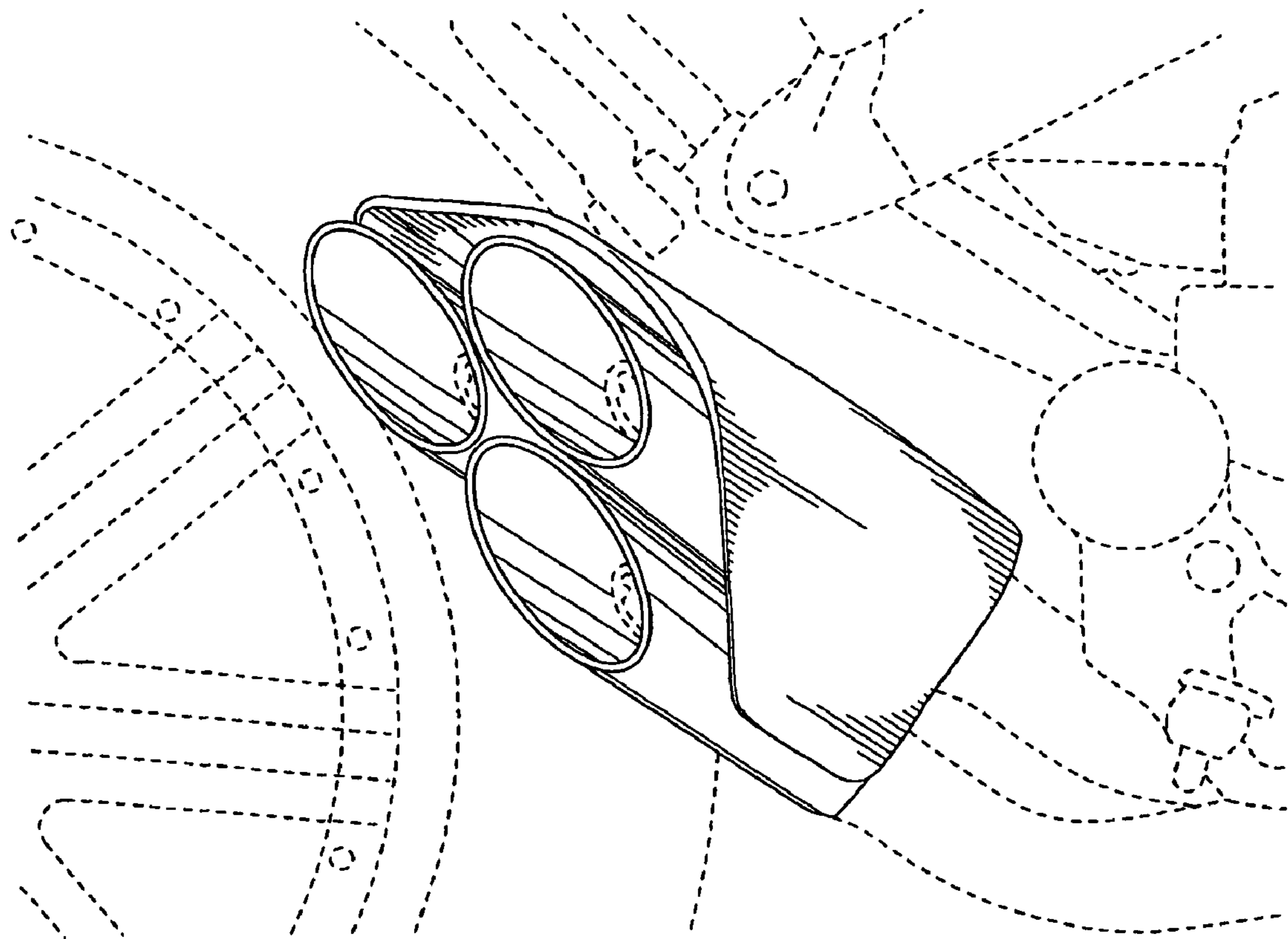


FIG. 11

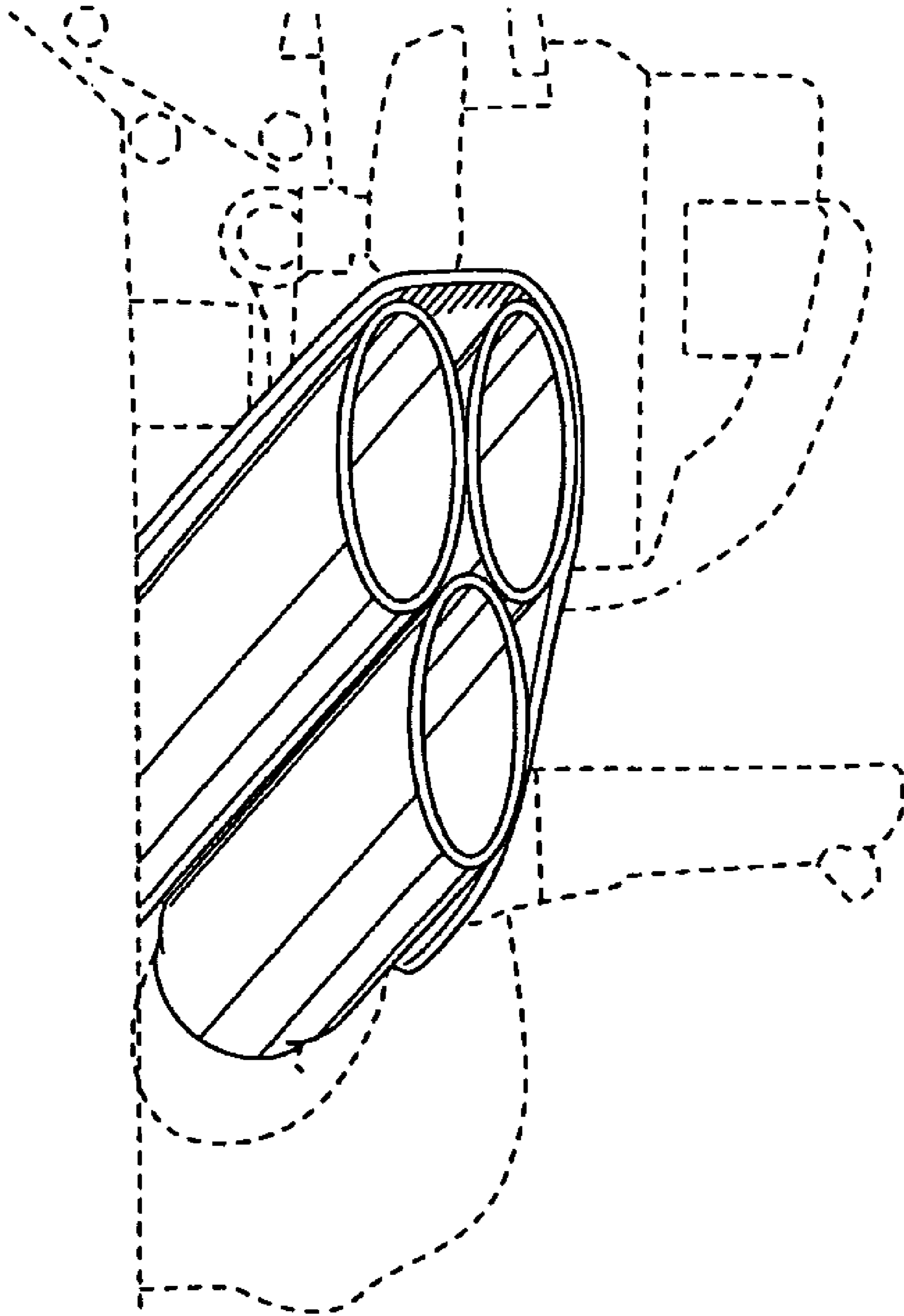


FIG. 12

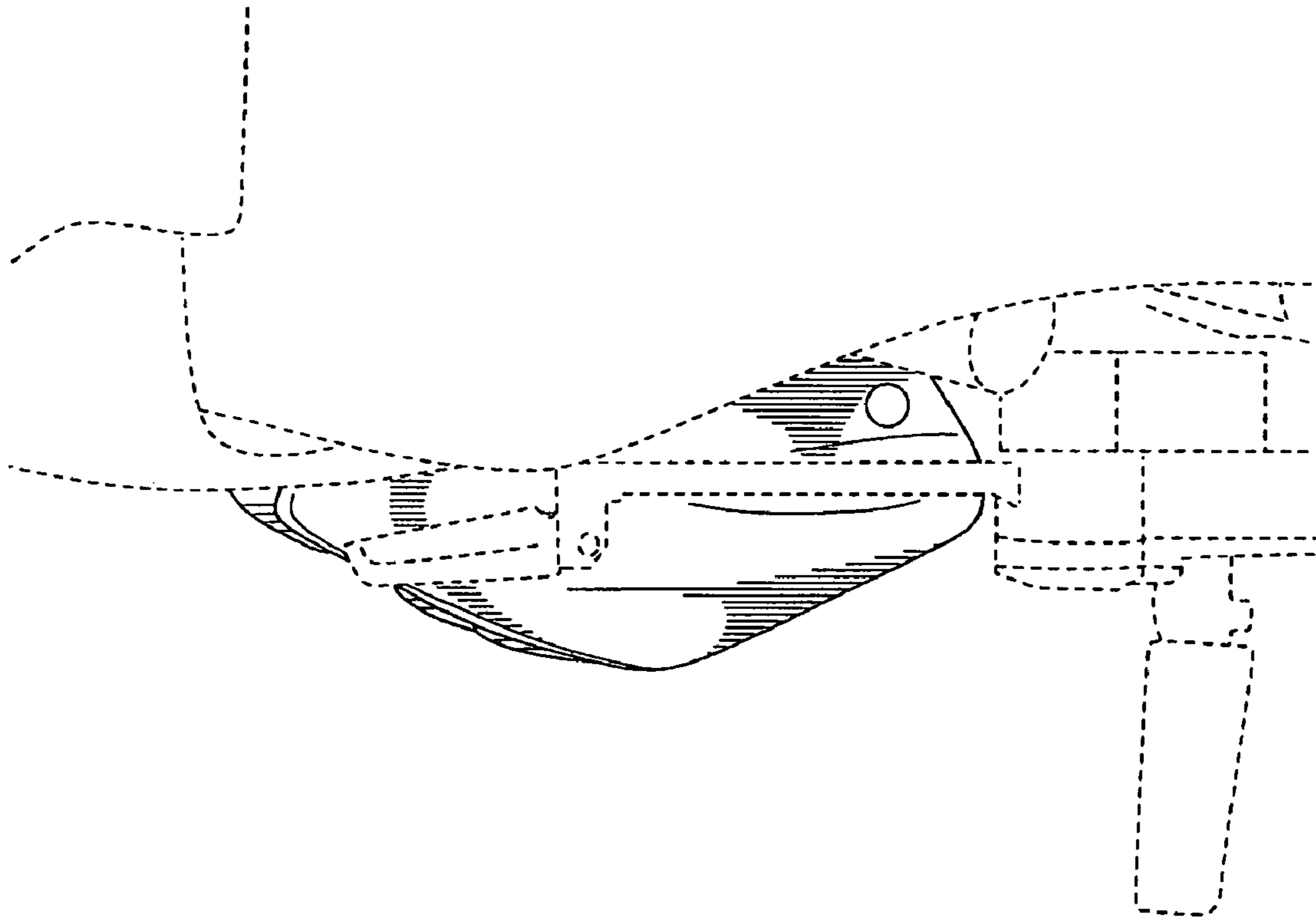


FIG. 13

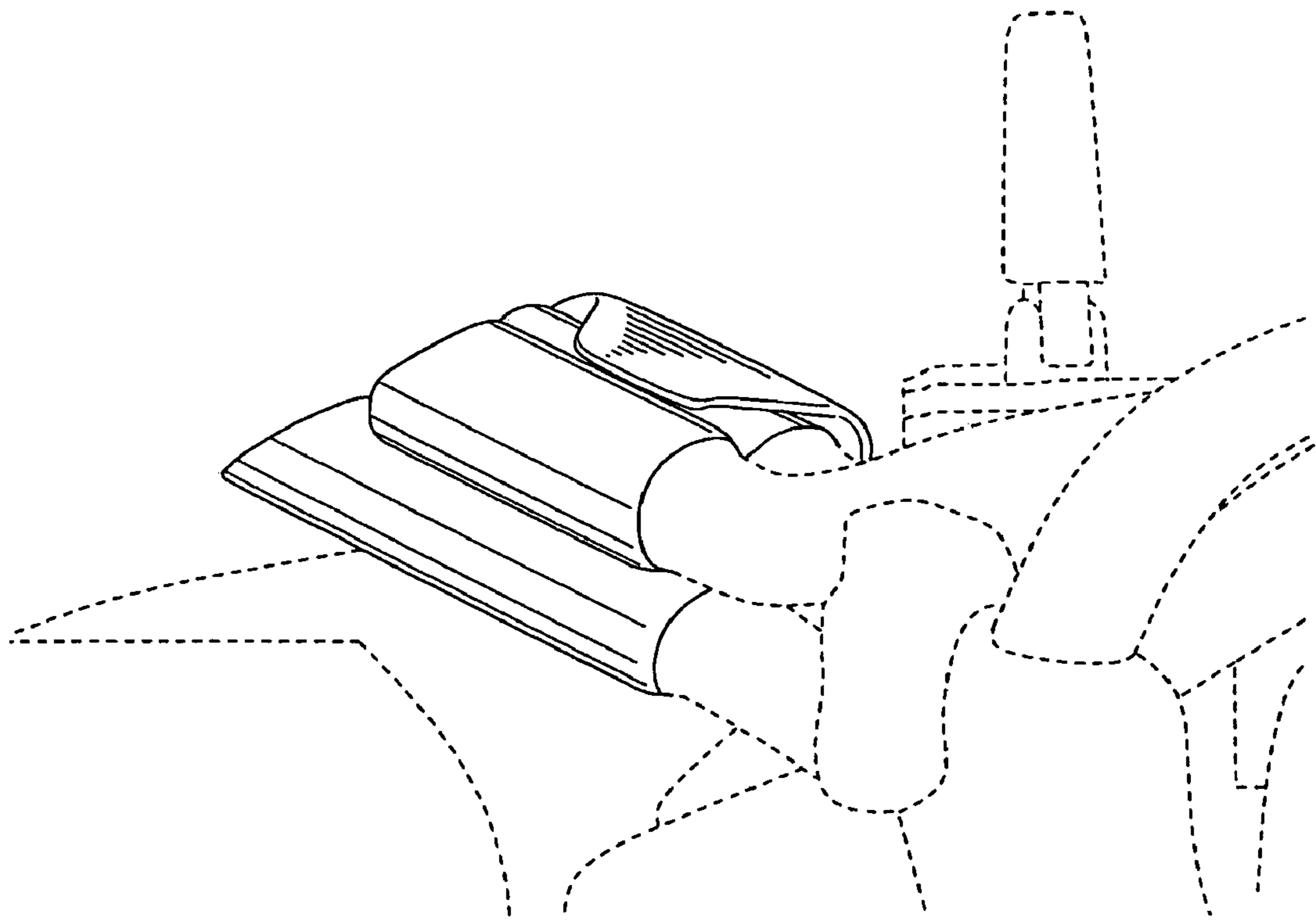


FIG. 14

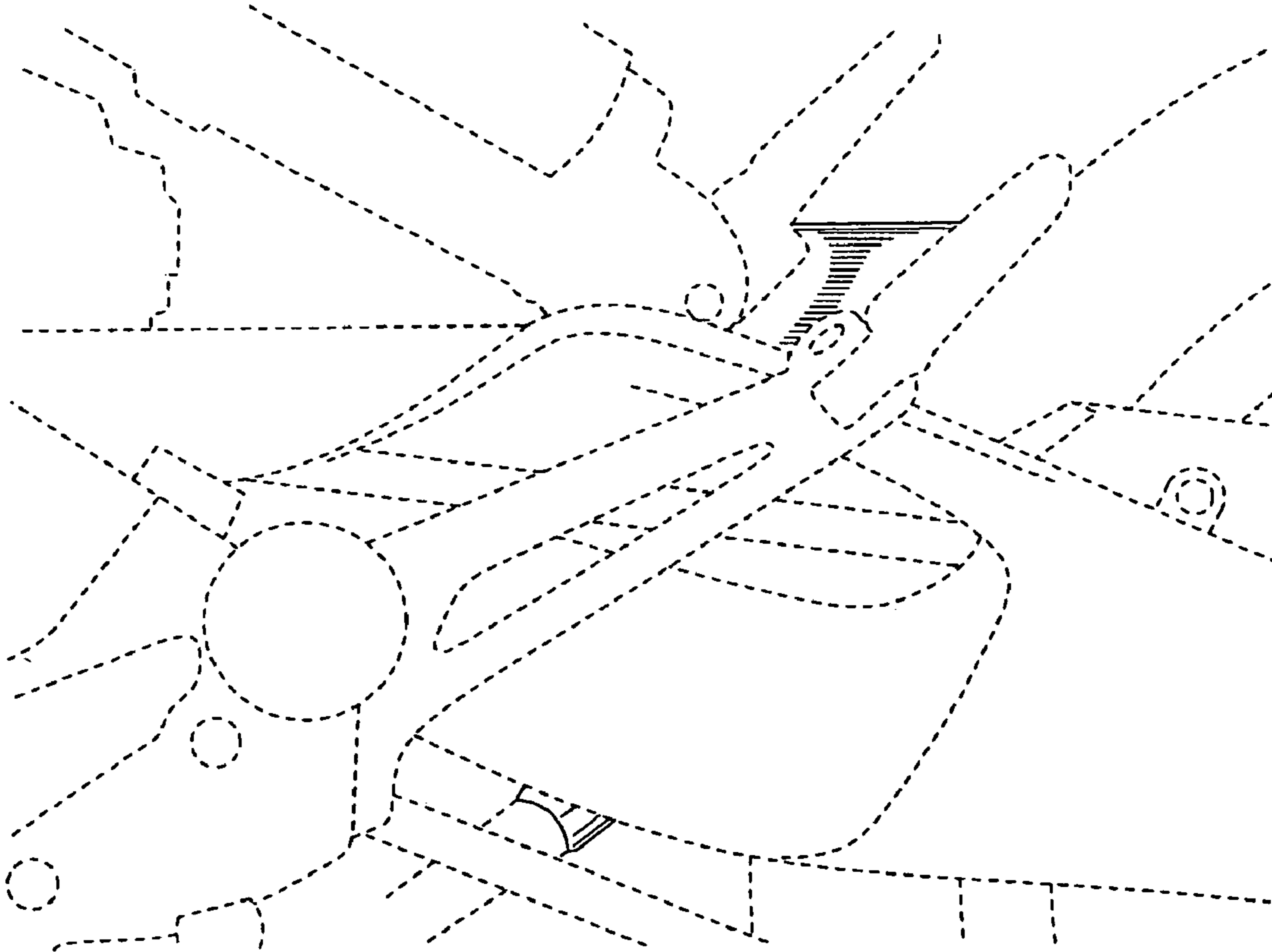


FIG. 15