



US00D598352S

(12) **United States Design Patent**
Schlater

(10) **Patent No.:** **US D598,352 S**

(45) **Date of Patent:** **** Aug. 18, 2009**

(54) **TRIM MOLDING FOR A MOTOR VEHICLE WINDOW**

(75) Inventor: **Timothy J. Schlater**, Ludlow Falls, OH (US)

(73) Assignee: **Creative Extruded Products, Inc.**, Tipp City, OH (US)

(**) Term: **14 Years**

(21) Appl. No.: **29/312,818**

(22) Filed: **Nov. 17, 2008**

(51) **LOC (9) Cl.** **12-16**

(52) **U.S. Cl.** **D12/190**

(58) **Field of Classification Search** D12/190,
D12/181, 400, 90, 91, 92, 114, 199, 196,
D12/197, 86, 171, 172, 173, 169, 163; D11/211,
D11/81, 157, 133, 172; 293/102, 115, 1.07-1.08;
D20/11, 23, 24, 25; 40/760, 591-594; 428/98-99,
428/31

See application file for complete search history.

(56) **References Cited**

U.S. PATENT DOCUMENTS

4,505,511 A * 3/1985 Hanle et al. 296/93
D302,963 S * 8/1989 Giovannoni D12/181

5,009,462 A * 4/1991 Katcherian 296/201
5,171,051 A * 12/1992 Yada 296/93
5,248,179 A * 9/1993 Biermacher et al. 296/146.15
5,339,584 A * 8/1994 Ohtake et al. 52/208
D387,726 S * 12/1997 Maruoka D12/400
6,279,983 B1 8/2001 Biondo et al.
7,188,885 B2 3/2007 Schlater et al.
2003/0090122 A1* 5/2003 Meizlish 296/93
2004/0212216 A1* 10/2004 Kagawa 296/146.15

* cited by examiner

Primary Examiner—Caron Veynar

Assistant Examiner—Katrina A Kile

(74) *Attorney, Agent, or Firm*—Jacox, Meckstroth & Jenkins

(57) **CLAIM**

The ornamental design for a trim molding for a motor vehicle window, as shown and described.

DESCRIPTION

FIG. 1 is a front perspective view of a trim molding for a motor vehicle window, showing our new design; and,

FIG. 2 is a right end view thereof.

The middle portion of the trim molding is broken away in FIGS. 1 to indicate no particular length. The broken lines in FIGS. 2 show a window edge and form no part of the claimed design.

1 Claim, 1 Drawing Sheet

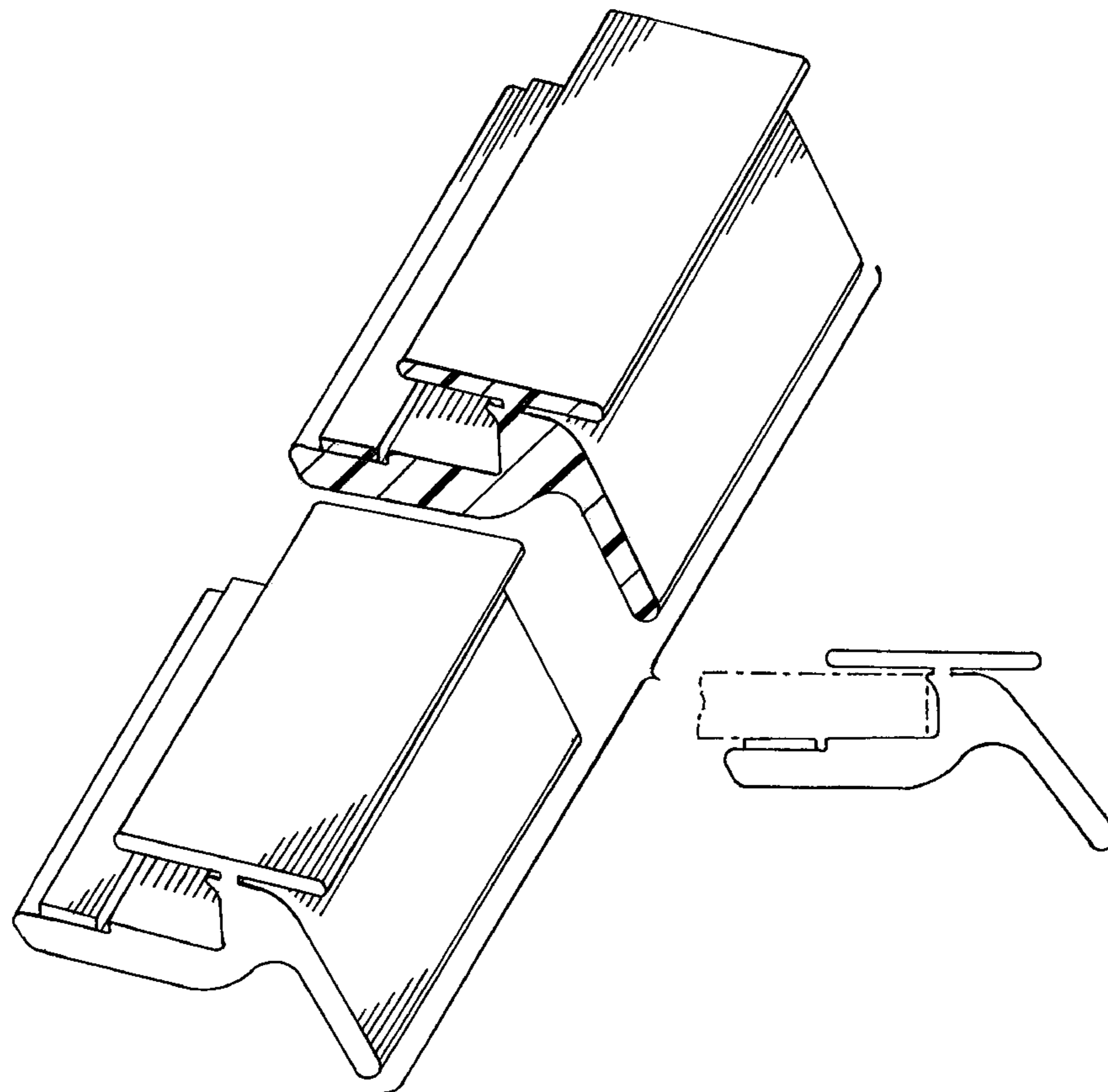


FIG-1

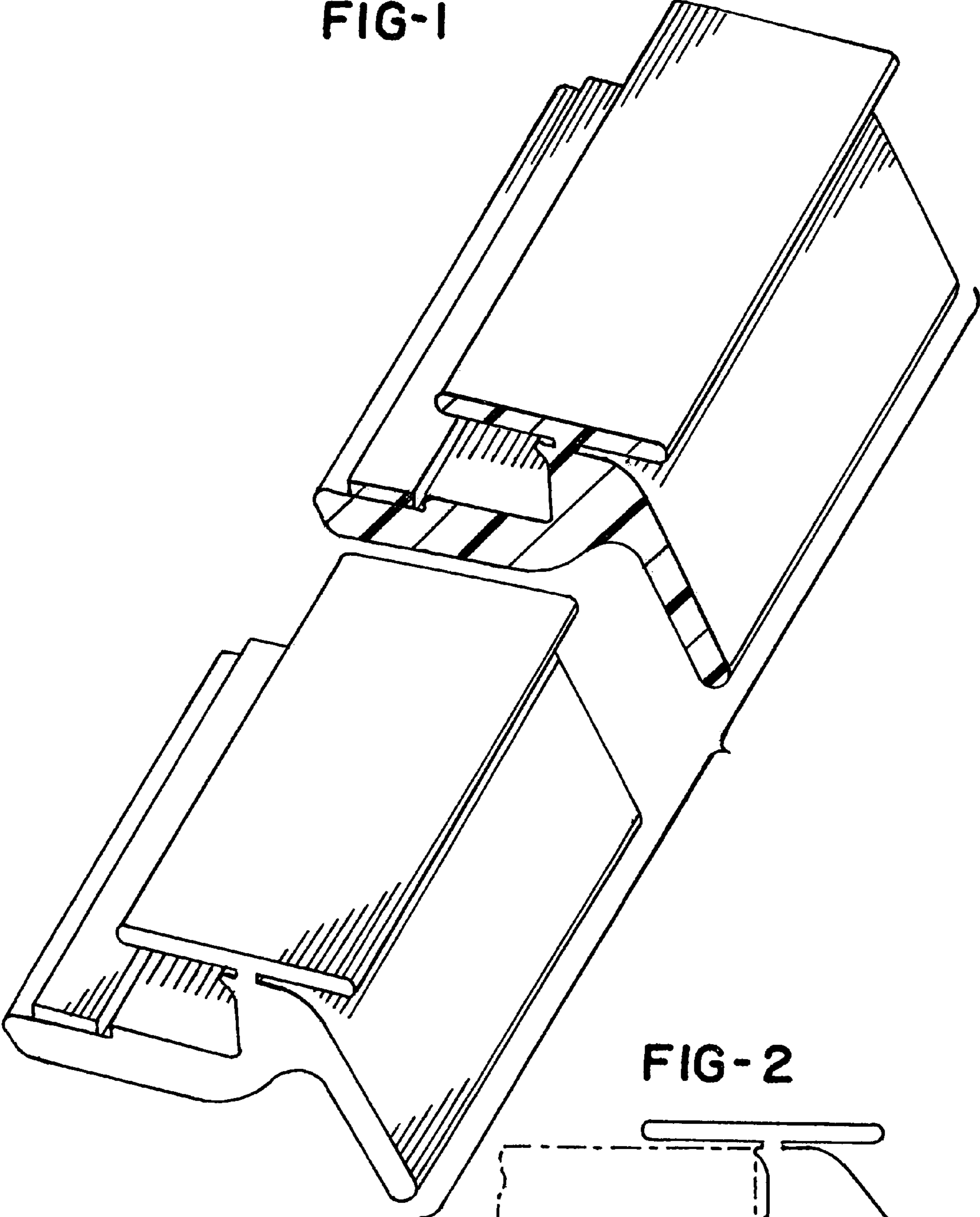


FIG-2

