



US00D598351S

(12) **United States Design Patent**  
**Schlater et al.**

(10) **Patent No.:** **US D598,351 S**  
(45) **Date of Patent:** **\*\* Aug. 18, 2009**

(54) **MOLDING FOR SEALING A MOTOR VEHICLE WINDSHIELD PANEL WITH A COWL PANEL**

(75) Inventors: **Timothy J. Schlater**, Ludlow Falls, OH (US); **Bradley M. Gross**, Tipp City, OH (US)

(73) Assignee: **Creative Extruded Products, Inc.**, Tipp City, OH (US)

(\*\*) Term: **14 Years**

(21) Appl. No.: **29/308,814**

(22) Filed: **Jul. 10, 2008**

(51) **LOC (9) Cl.** ..... **12-16**

(52) **U.S. Cl.** ..... **D12/190**

(58) **Field of Classification Search** ..... D12/190, D12/181, 400, 90, 91, 92, 114, 199, 196, D12/197, 86, 171, 172, 173, 169, 163; D11/211, D11/81, 157, 133, 172; 293/102, 115, 1.07-1.08; D20/11, 23, 24, 25; 40/760, 591-594; 428/98-99, 428/31

See application file for complete search history.

(56) **References Cited**

**U.S. PATENT DOCUMENTS**

4,483,893 A \* 11/1984 Harrold ..... 428/90

4,890,431 A \* 1/1990 Katayama ..... 52/208  
4,916,008 A \* 4/1990 Katayama et al. .... 428/205  
5,095,656 A \* 3/1992 Keys ..... 49/441  
5,125,185 A \* 6/1992 Shiota et al. .... 49/377  
5,195,273 A \* 3/1993 Yamano et al. .... 49/441  
5,456,049 A \* 10/1995 Goto et al. .... 52/208  
D372,453 S \* 8/1996 Gold ..... D12/400  
5,817,414 A \* 10/1998 Ando ..... 428/358

\* cited by examiner

*Primary Examiner*—Caron Veynar

*Assistant Examiner*—Katrina A Kile

(74) *Attorney, Agent, or Firm*—Jacox, Meckstroth & Jenkins

(57) **CLAIM**

The ornamental design for a molding for sealing a motor vehicle windshield panel with a cowl panel, as shown and described.

**DESCRIPTION**

FIG. 1 is a front perspective view of a molding for sealing a motor vehicle windshield panel with a cowl panel, showing our new design; and,

FIG. 2 is a right end view thereof.

The middle portion of the trim molding is broken away in FIGS. 1 to indicate no particular length. The broken lines in FIGS. 2 show a windshield edge and form no part of the claimed design.

**1 Claim, 1 Drawing Sheet**

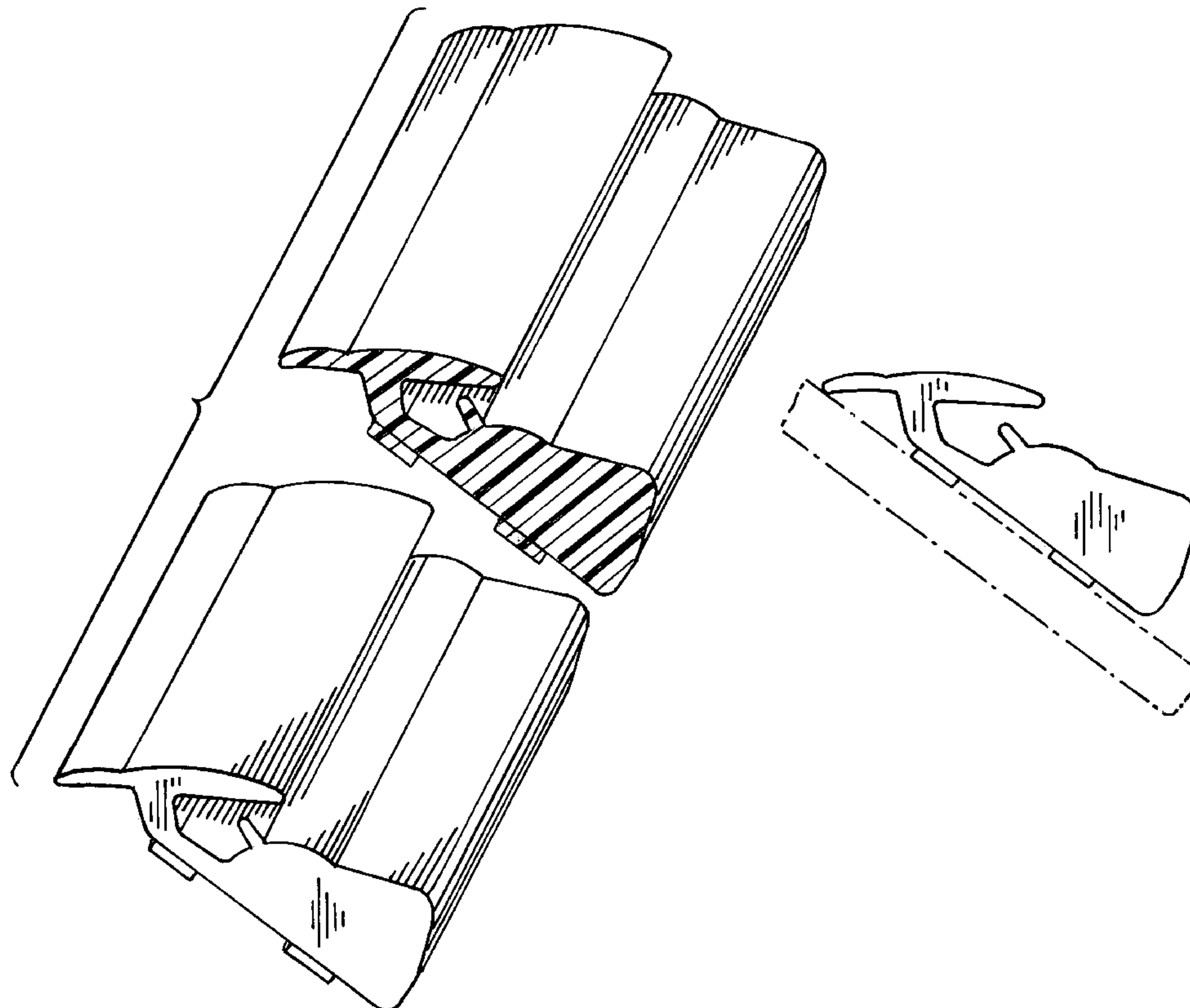


FIG-1

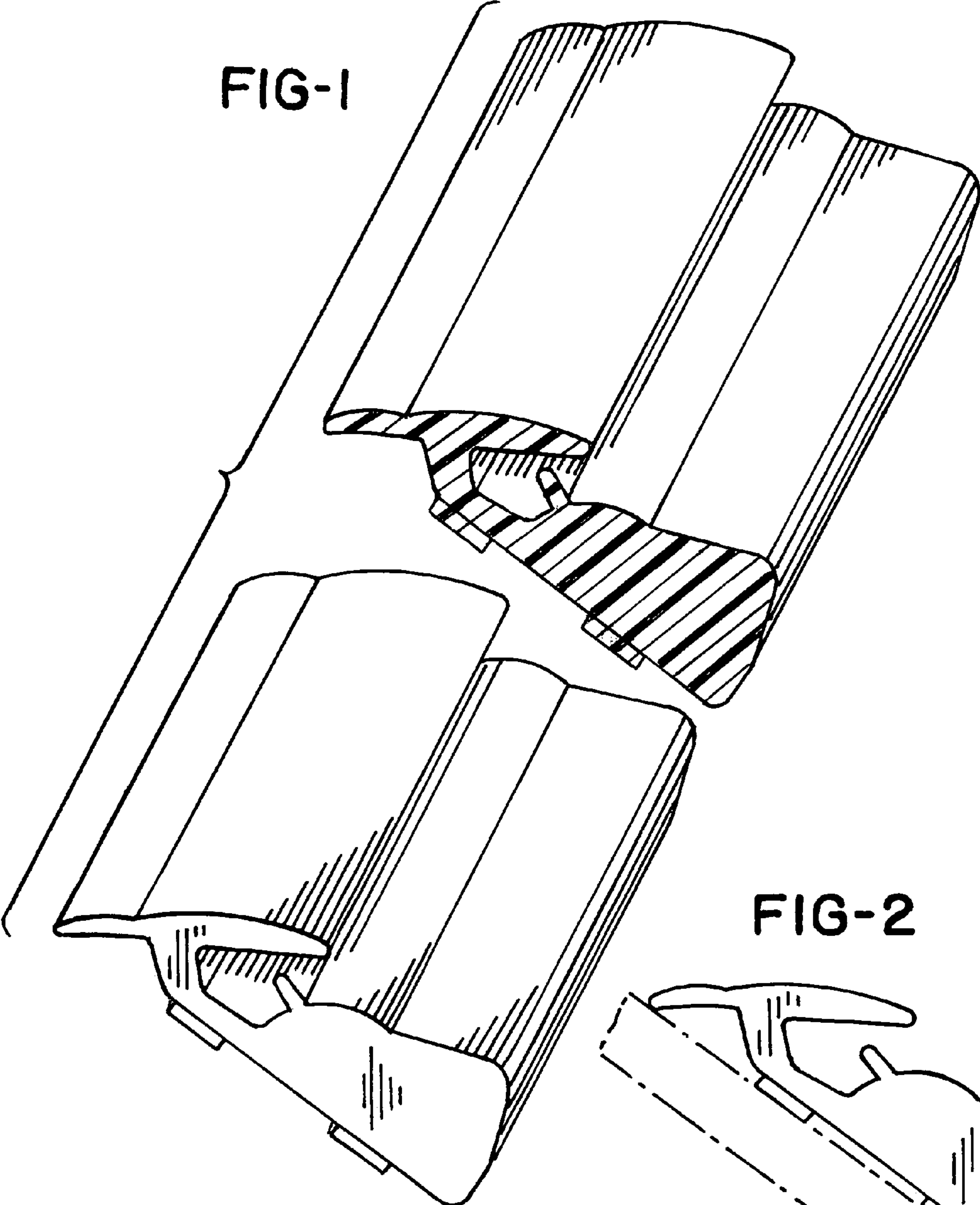


FIG-2

