



US00D598337S

(12) **United States Design Patent**
Glachin

(10) **Patent No.:** **US D598,337 S**

(45) **Date of Patent:** **** Aug. 18, 2009**

(54) **VEHICLE FRONT BUMPER COVER**

D588,506 S * 3/2009 Maeda et al. D12/169
D588,965 S * 3/2009 Hazumi et al. D12/169

(75) Inventor: **Roberto Glachin**, Zuelpich (DE)

* cited by examiner

(73) Assignee: **Ford Motor Company**, Dearborn, MI (US)

Primary Examiner—Melody N Brown

(74) *Attorney, Agent, or Firm*—Damian Porcari

(**) Term: **14 Years**

(57) **CLAIM**

(21) Appl. No.: **29/326,576**

The ornamental design for a vehicle front bumper cover, shown and described.

(22) Filed: **Oct. 21, 2008**

(30) **Foreign Application Priority Data**

Jun. 30, 2008 (DE) 402008003085

DESCRIPTION

(51) **LOC (9) Cl.** **12-16**

FIG. 1 is a front elevational view of a vehicle front bumper cover;

(52) **U.S. Cl.** **D12/169**

FIG. 2 is a left side elevational view of the vehicle front bumper cover;

(58) **Field of Classification Search** D12/169,
D12/90-92; 293/102, 105, 113, 115, 117,
293/120; 296/180.1, 180.2

FIG. 3 is a right side elevational view of the vehicle front bumper cover;

See application file for complete search history.

FIG. 4 is a top plan view of the vehicle front bumper cover;

FIG. 5 is a bottom plan view of the vehicle front bumper cover; and,

(56) **References Cited**

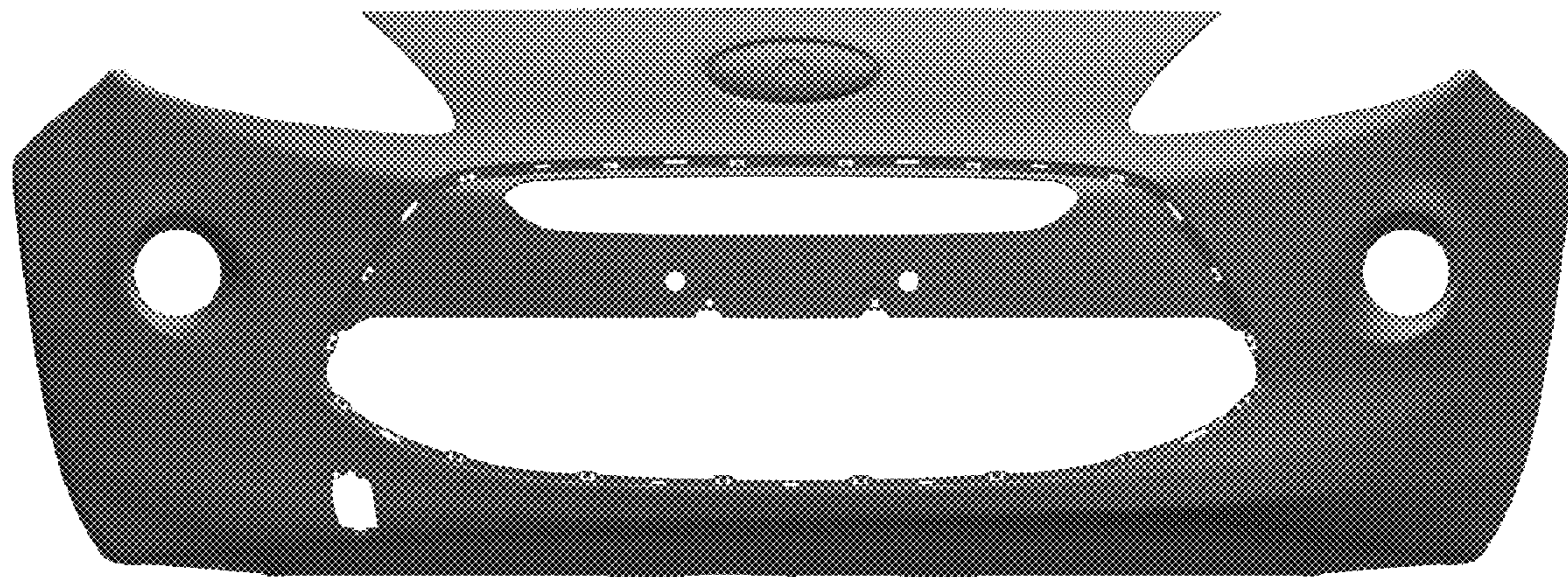
FIG. 6 is a rear elevational view of the vehicle front bumper cover.

U.S. PATENT DOCUMENTS

D563,846 S * 3/2008 Suga et al. D12/169

D564,425 S * 3/2008 Okue D12/169

1 Claim, 5 Drawing Sheets



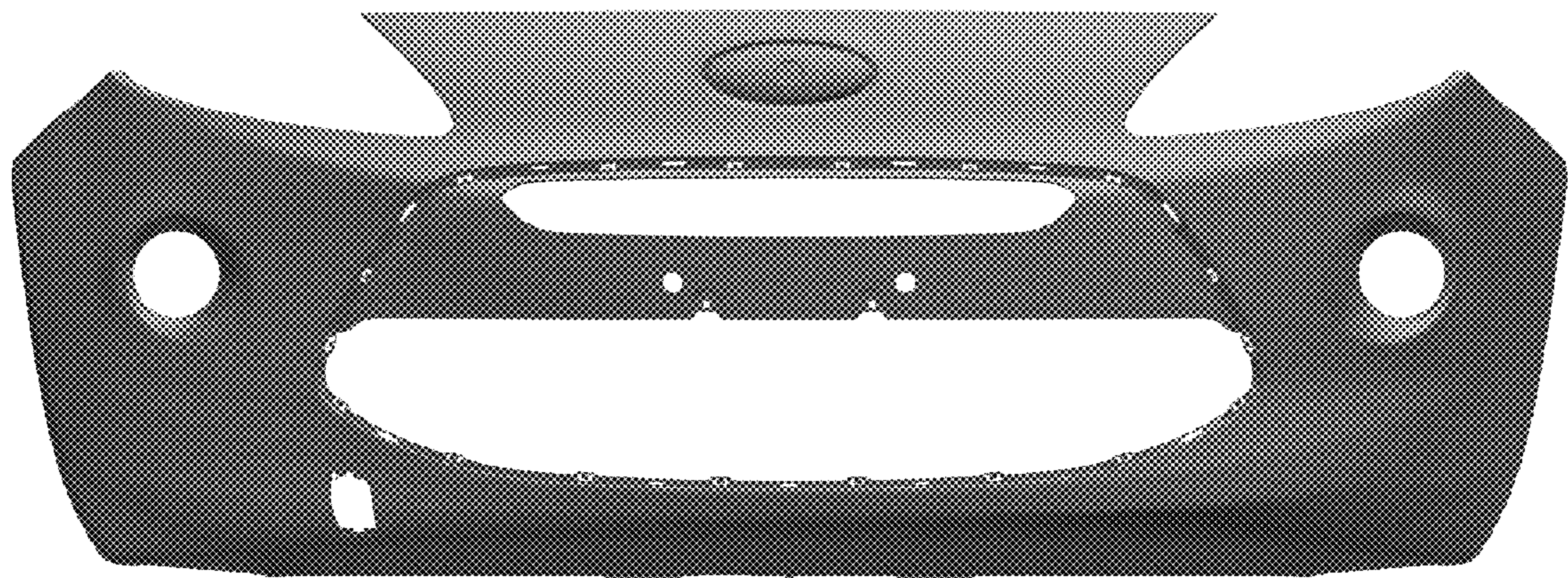


Figure 1

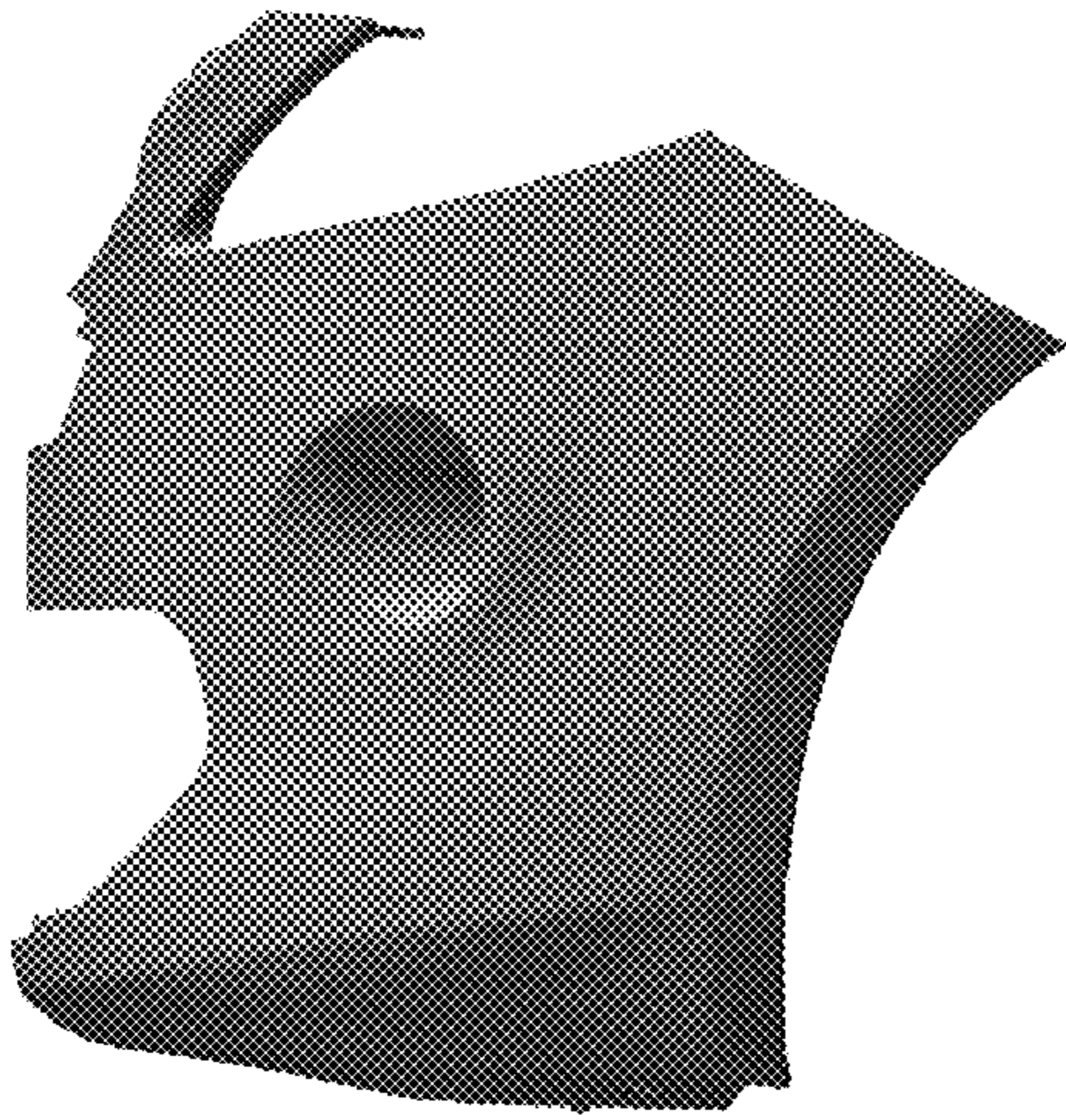


Figure 2

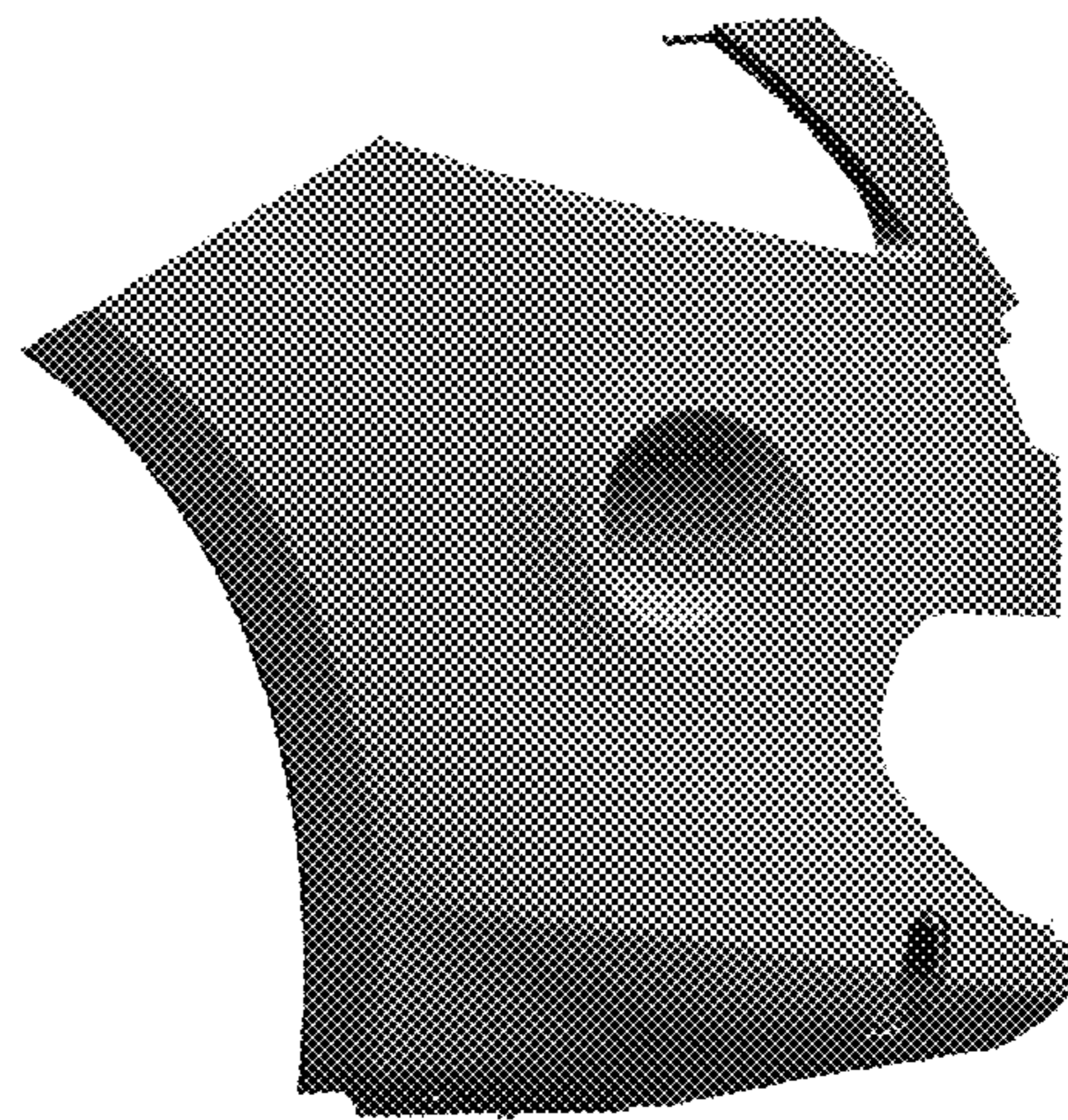


Figure 3

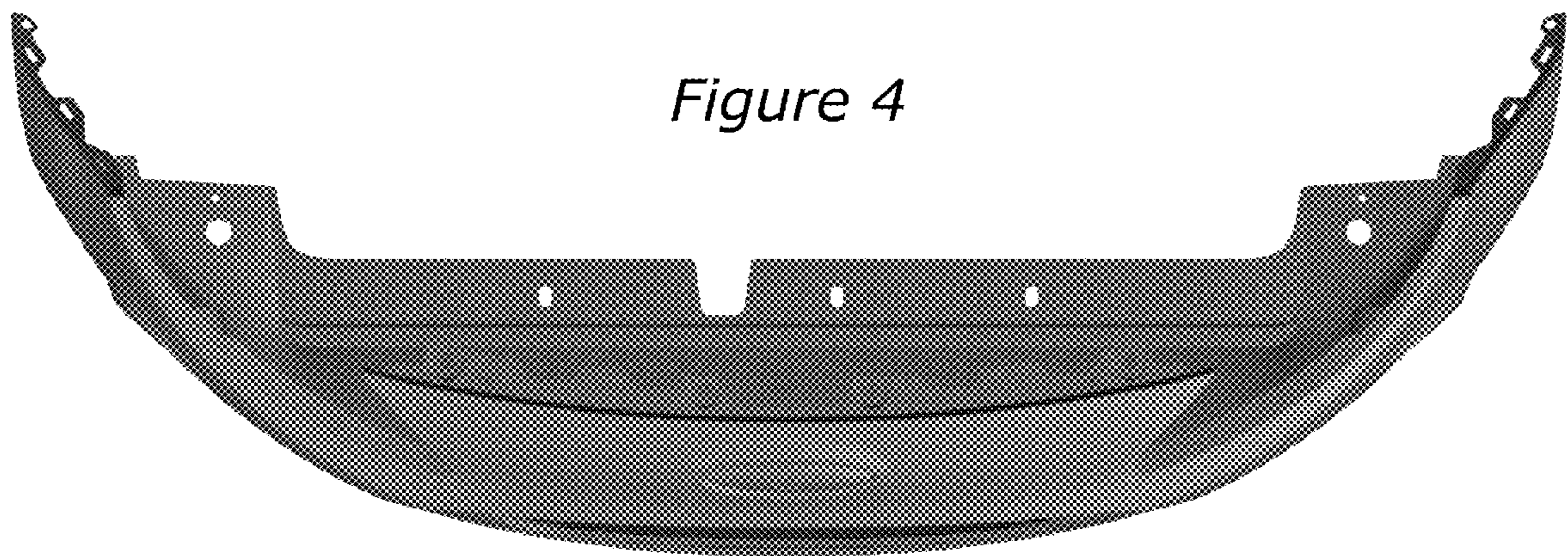
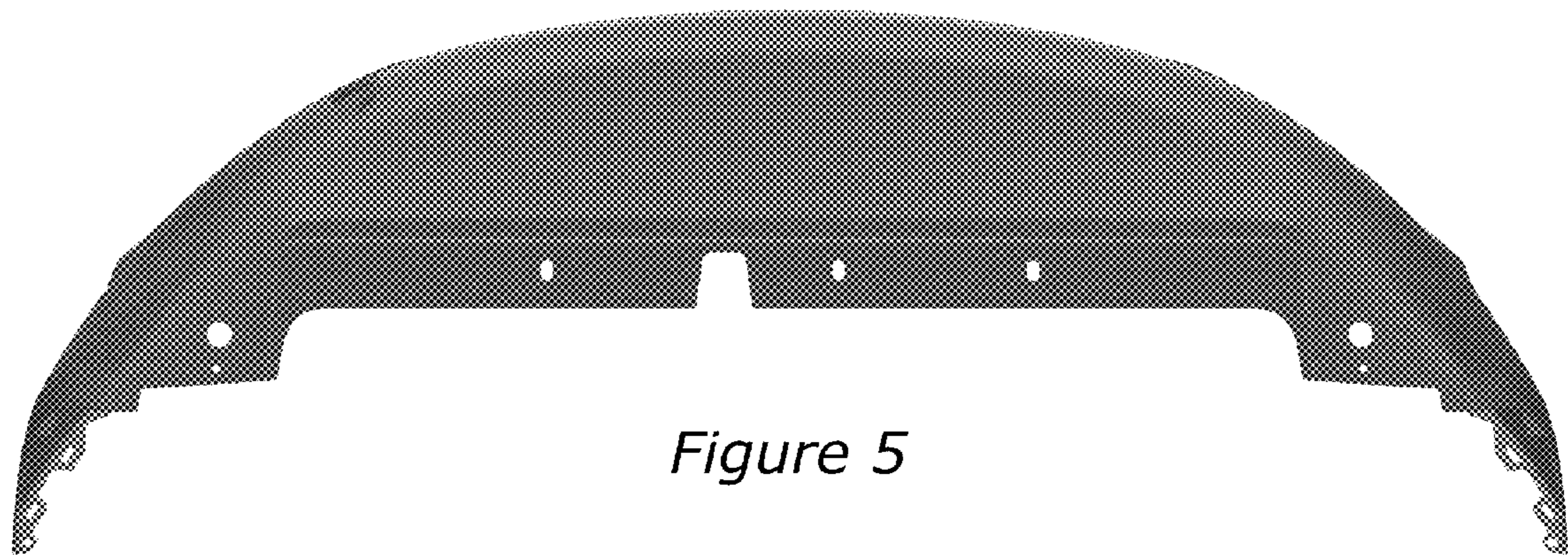


Figure 4



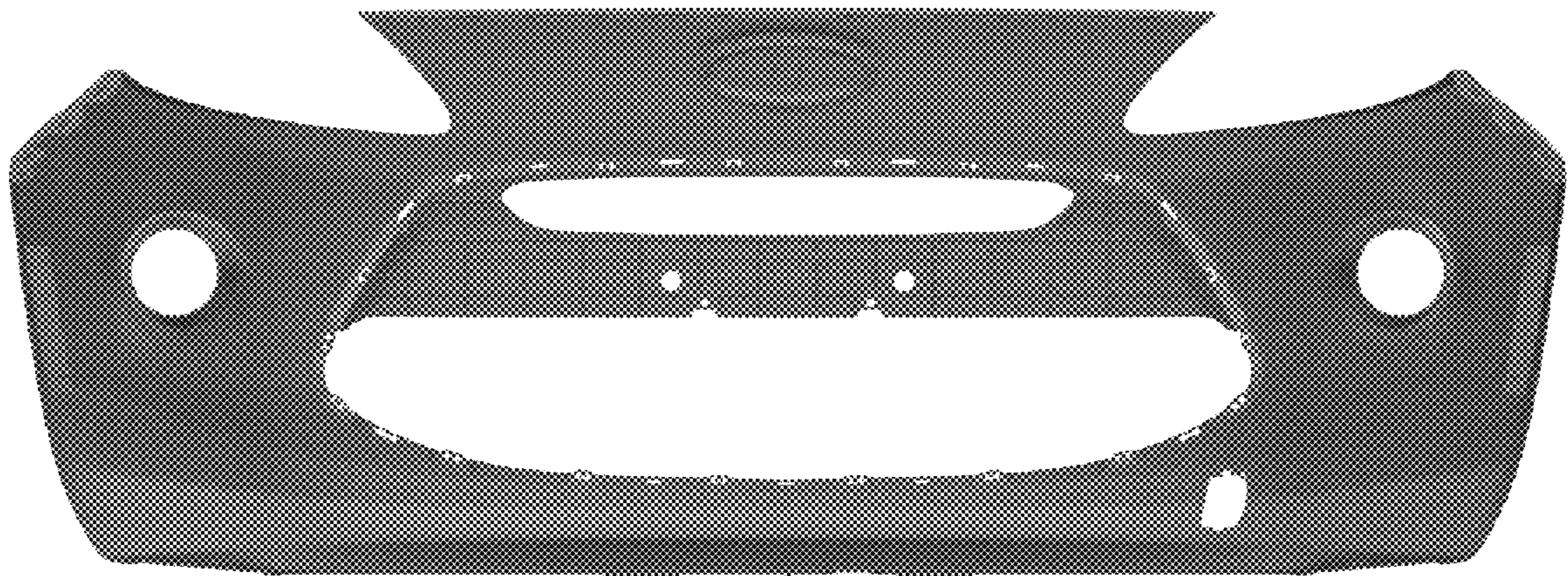


Figure 6