



US00D598333S

(12) **United States Design Patent**
Li et al.

(10) **Patent No.:** **US D598,333 S**

(45) **Date of Patent:** **** Aug. 18, 2009**

(54) **FRAME OF STROLLER**

D584,194 S * 1/2009 Zweideck D12/129
7,516,966 B2 * 4/2009 Gray 280/47.38

(75) Inventors: **Dao-Chang Li**, Taipei (TW);
Fang-Ming Li, Taipei (TW)

* cited by examiner

(73) Assignee: **Wonderland Nurserygoods Co., Ltd.**,
Taipei (TW)

Primary Examiner—Charles A Rademaker

Assistant Examiner—Charles D Hanson

(74) *Attorney, Agent, or Firm*—Bacon & Thomas, PLLC

(**) Term: **14 Years**

(57) **CLAIM**

(21) Appl. No.: **29/309,522**

The ornamental design for the frame of stroller, as shown and described.

(22) Filed: **Aug. 26, 2008**

(51) **LOC (9) Cl.** **12-12**

(52) **U.S. Cl.** **D12/129; D12/133**

(58) **Field of Classification Search** D12/128–133;
D21/433; D34/12, 27, 30; 280/62, 647–650,
280/29, 200, 47.38, 250.1, 259, 642, 658;
296/65.03, 65.04; 297/DIG. 4; 135/65–67,
135/74

See application file for complete search history.

DESCRIPTION

FIG. 1 is a perspective view of a frame of stroller in the new design;

FIG. 2 is a front view of the frame of stroller in the new design;

FIG. 3 is a rear view of the frame of stroller in the new design;

FIG. 4 is a left-side view of the frame of stroller in the new design;

FIG. 5 is a right-side view of the frame of stroller in the new design;

FIG. 6 is a top view of the frame of stroller in the new design; and,

FIG. 7 is a bottom view of the frame of stroller in the new design.

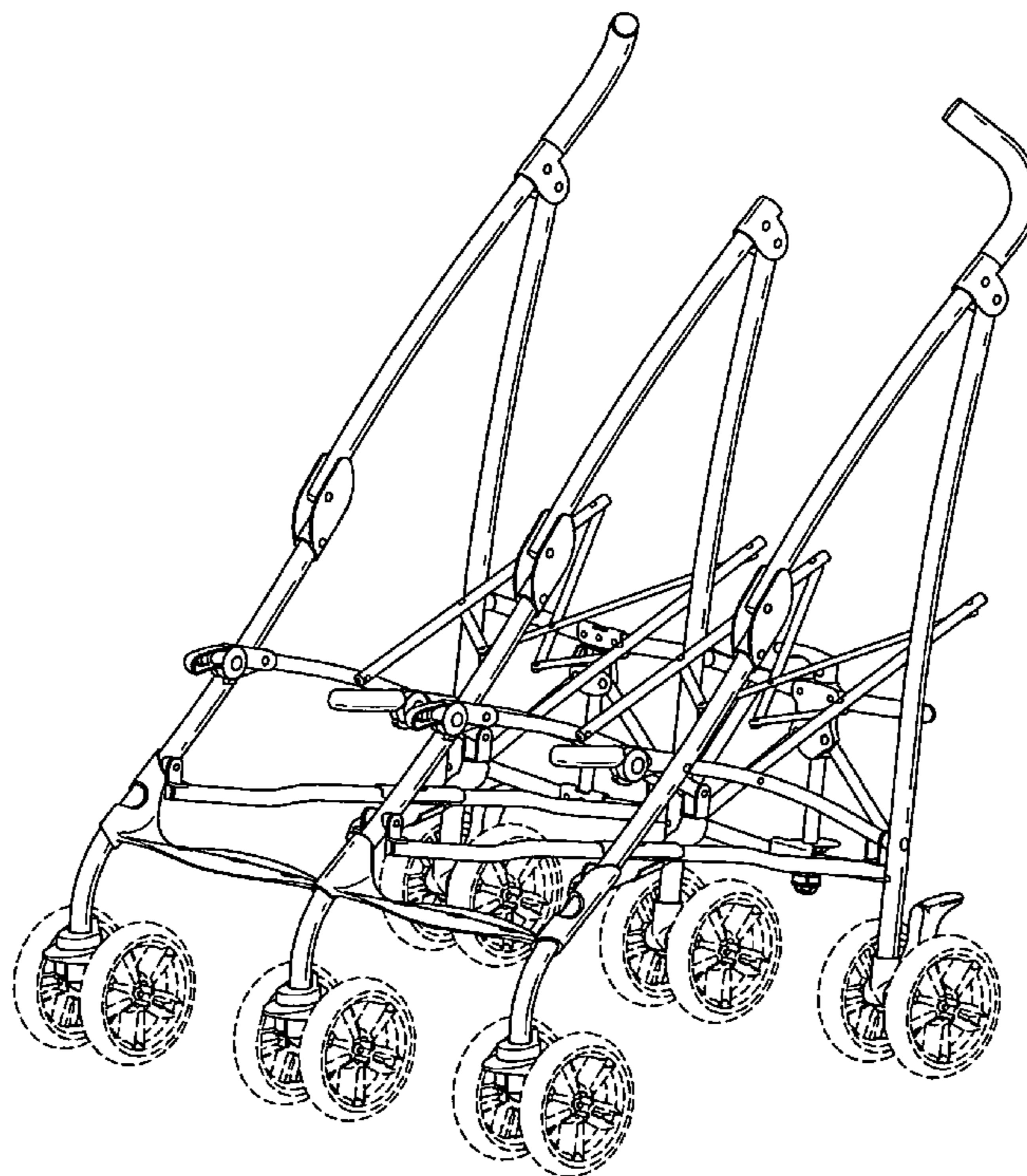
The broken line showing of the wheel members is included for the purpose of illustrating environment and forms no part of the claimed design.

(56) **References Cited**

U.S. PATENT DOCUMENTS

- D382,516 S * 8/1997 Hutchinson et al. D12/129
- 5,918,892 A * 7/1999 Aaron et al. 280/47.38
- D452,191 S * 12/2001 Carpenter D12/129
- 6,431,579 B1 * 8/2002 Kaneko et al. 280/642
- 6,527,294 B1 * 3/2003 Brewington et al. 280/647
- D484,075 S * 12/2003 Kassai D12/129
- 6,752,405 B1 * 6/2004 Wright 280/47.38
- 6,938,300 B2 * 9/2005 Lan 16/18 R
- 7,108,275 B2 * 9/2006 Yeh et al. 280/647

1 Claim, 7 Drawing Sheets



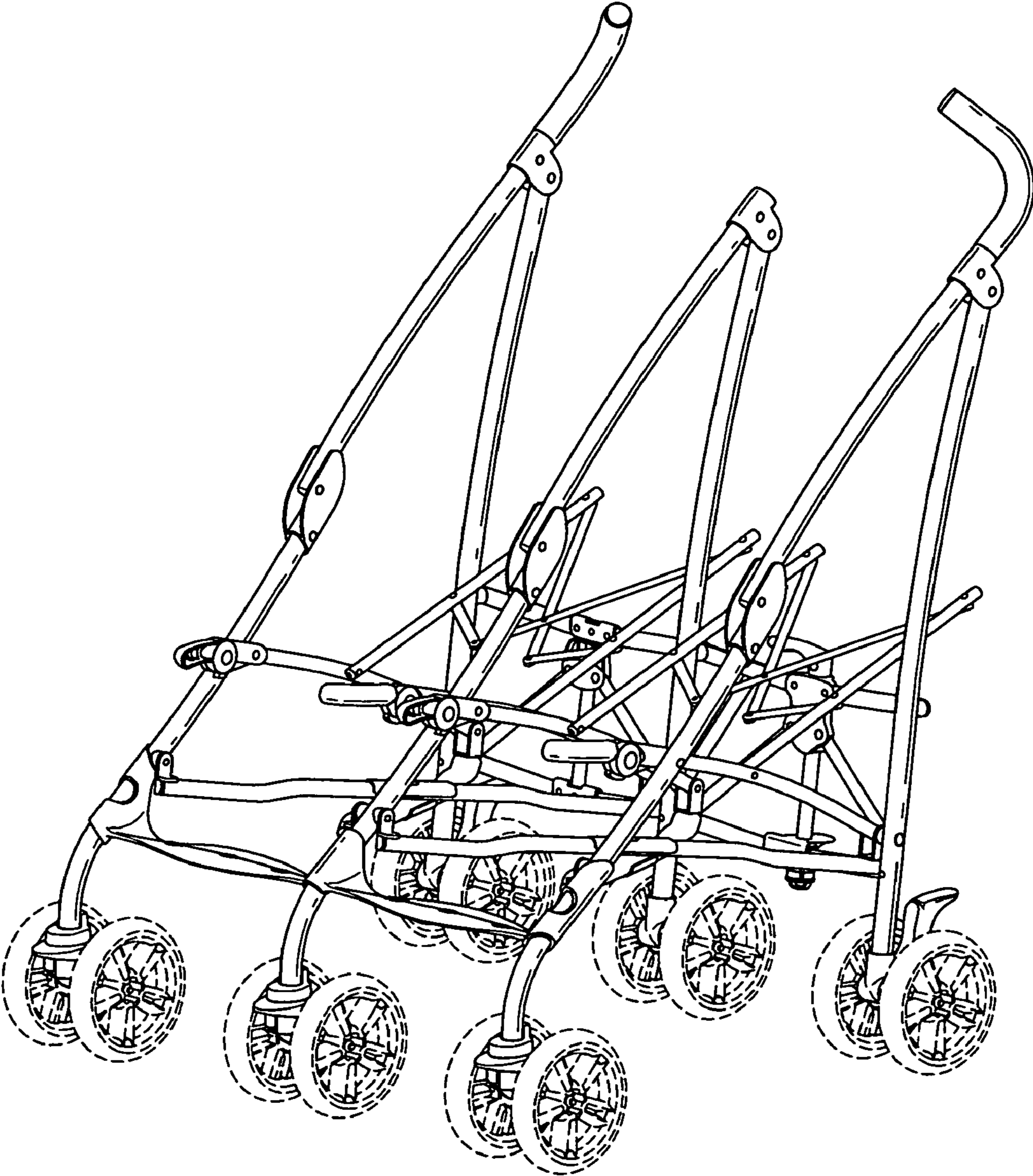


Fig. 1

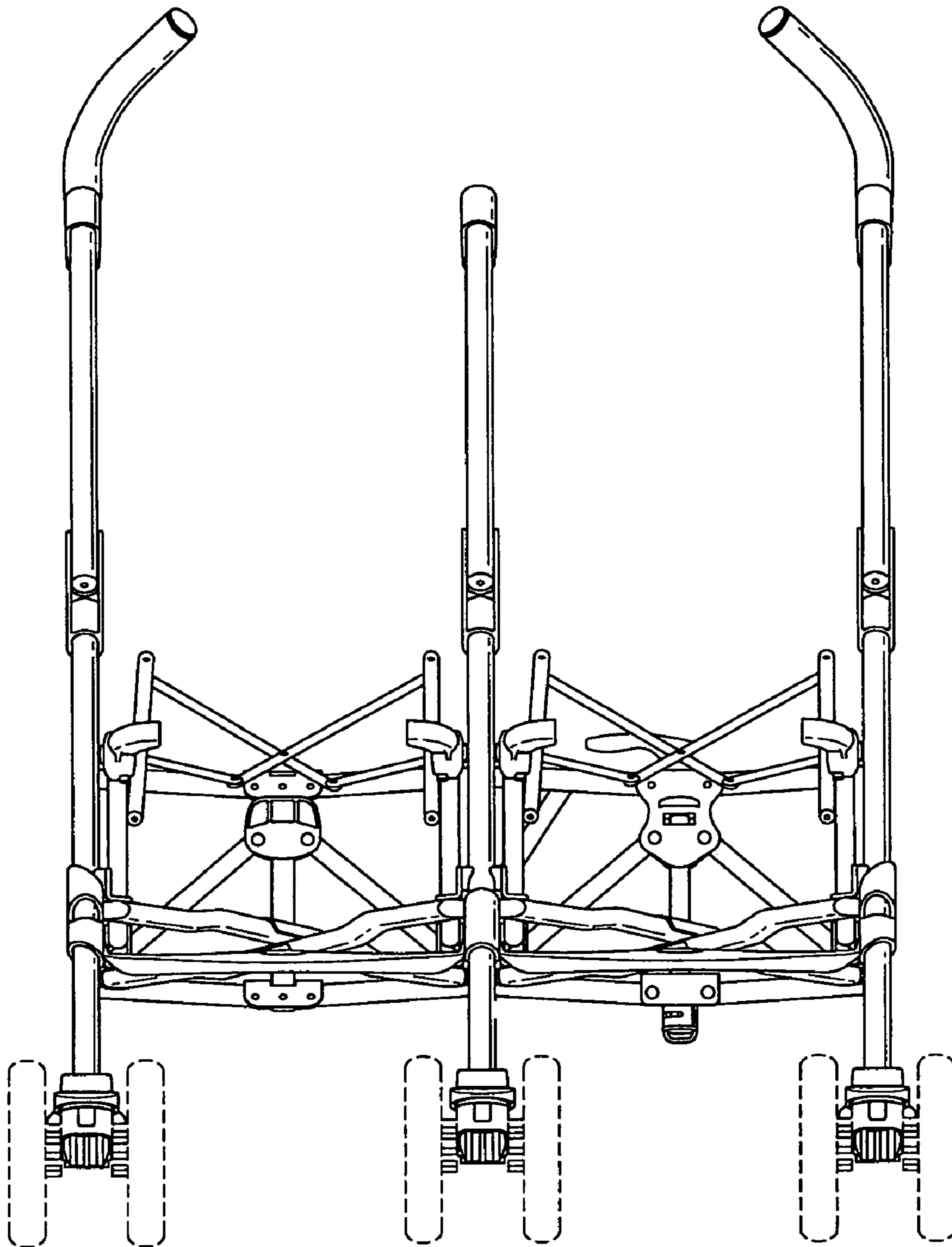


Fig. 2

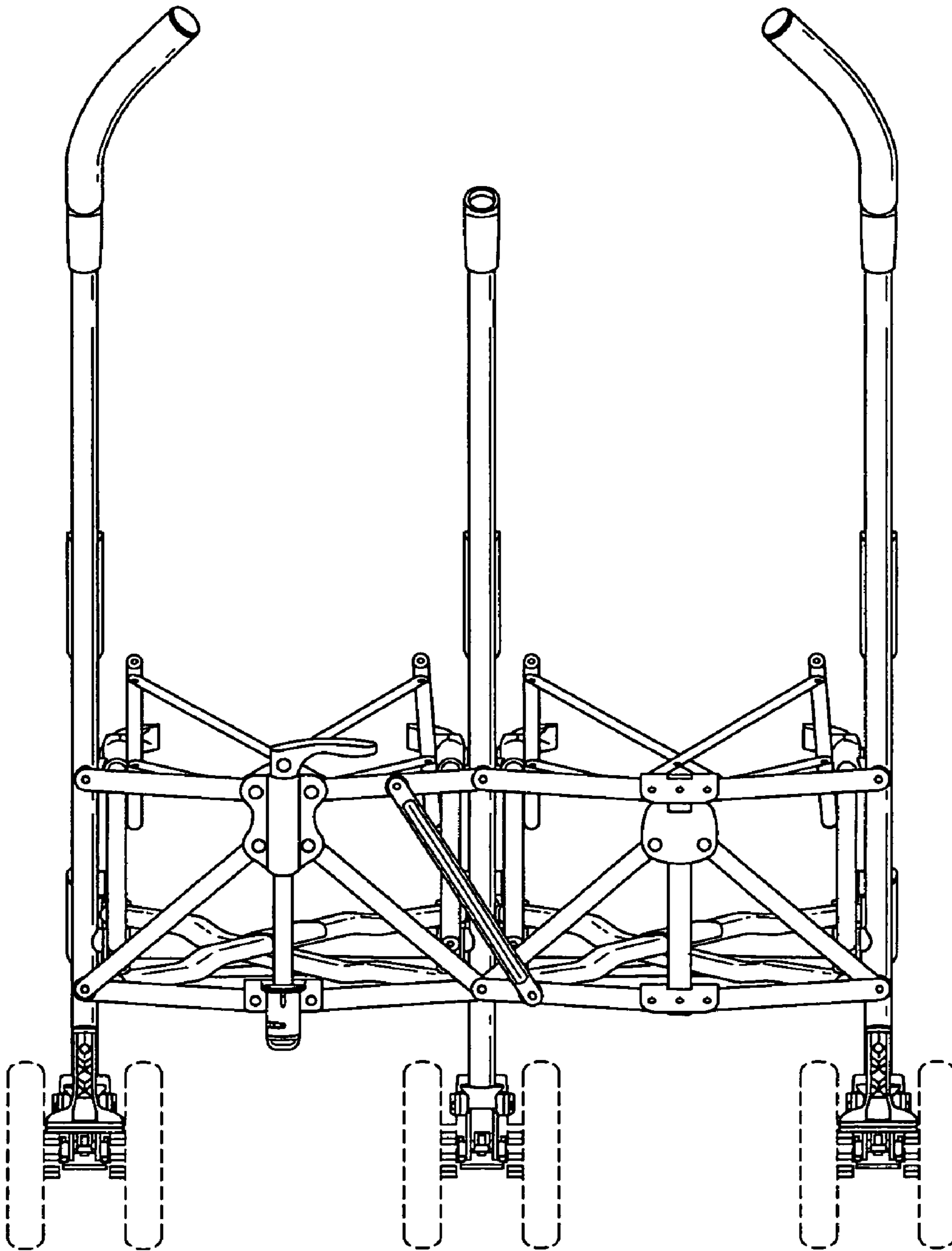


Fig. 3

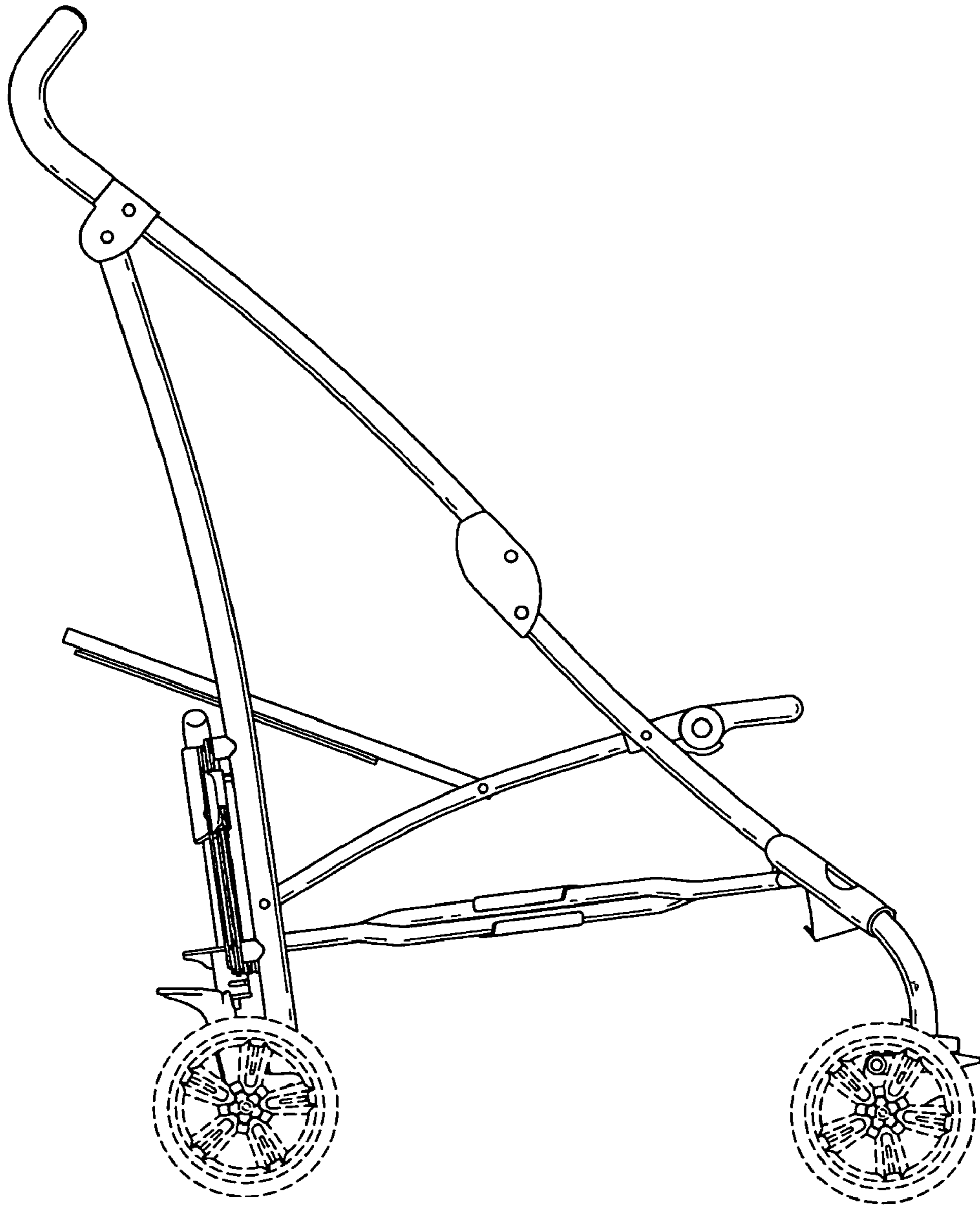


Fig. 4

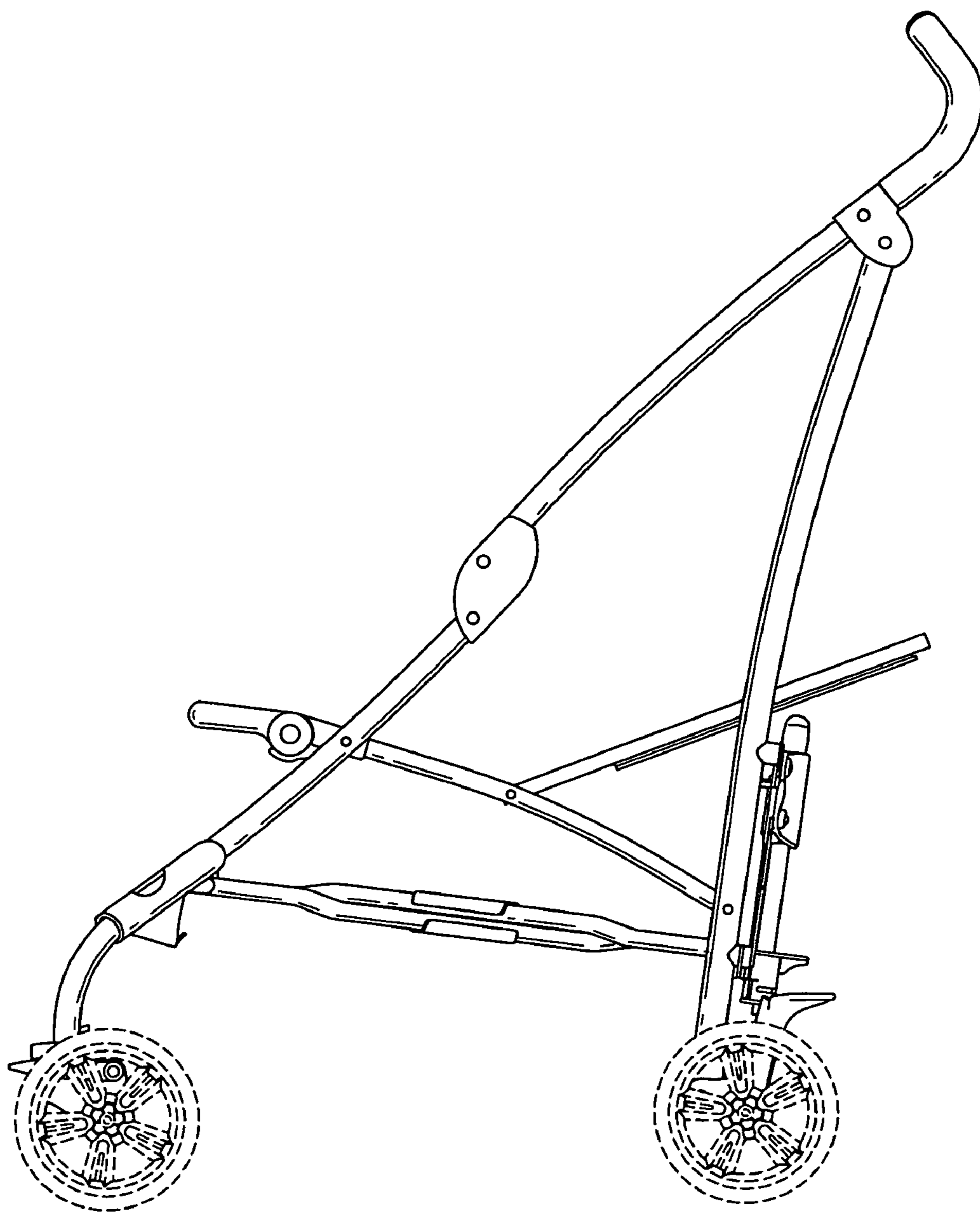


Fig. 5

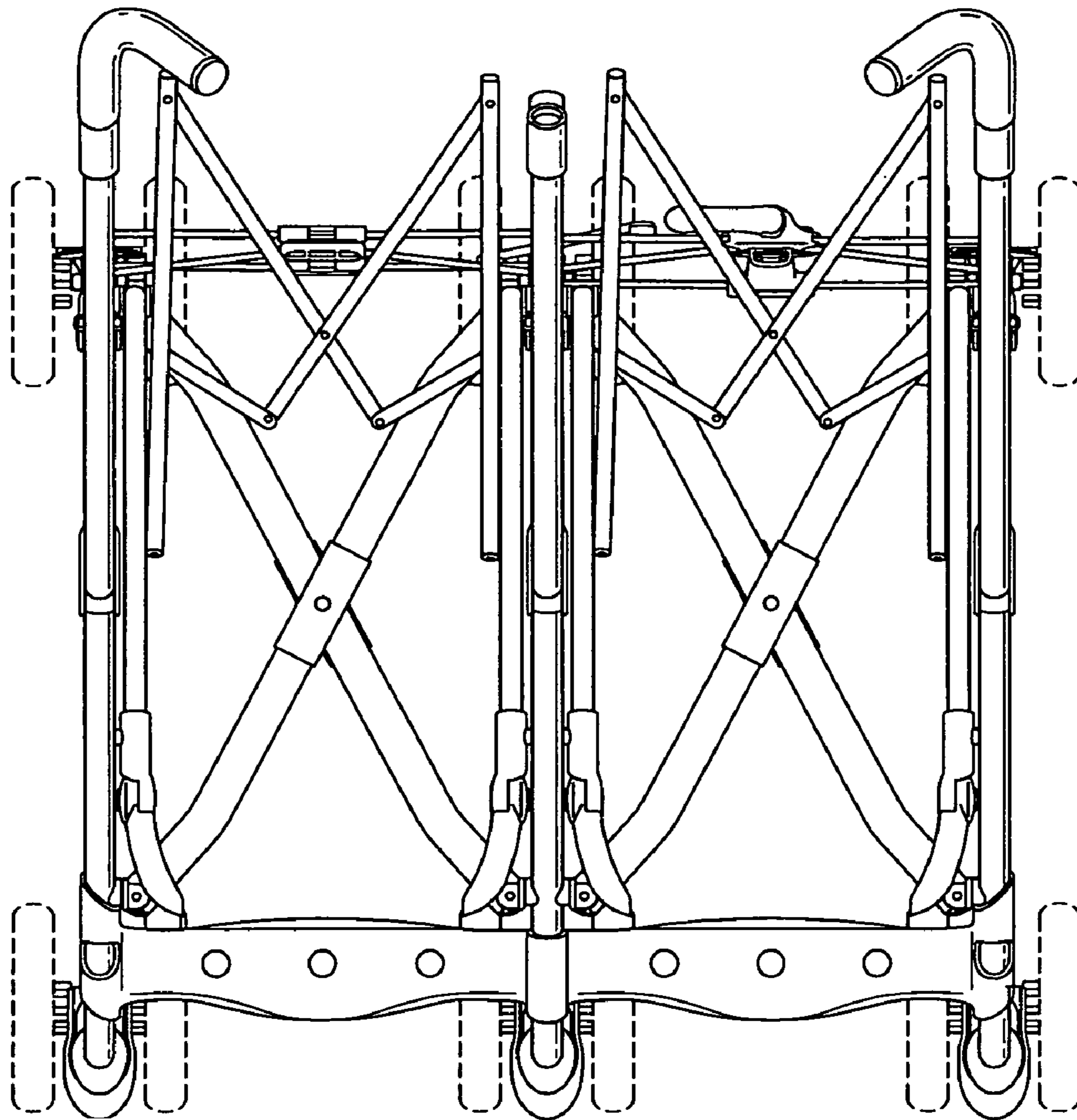


Fig. 6

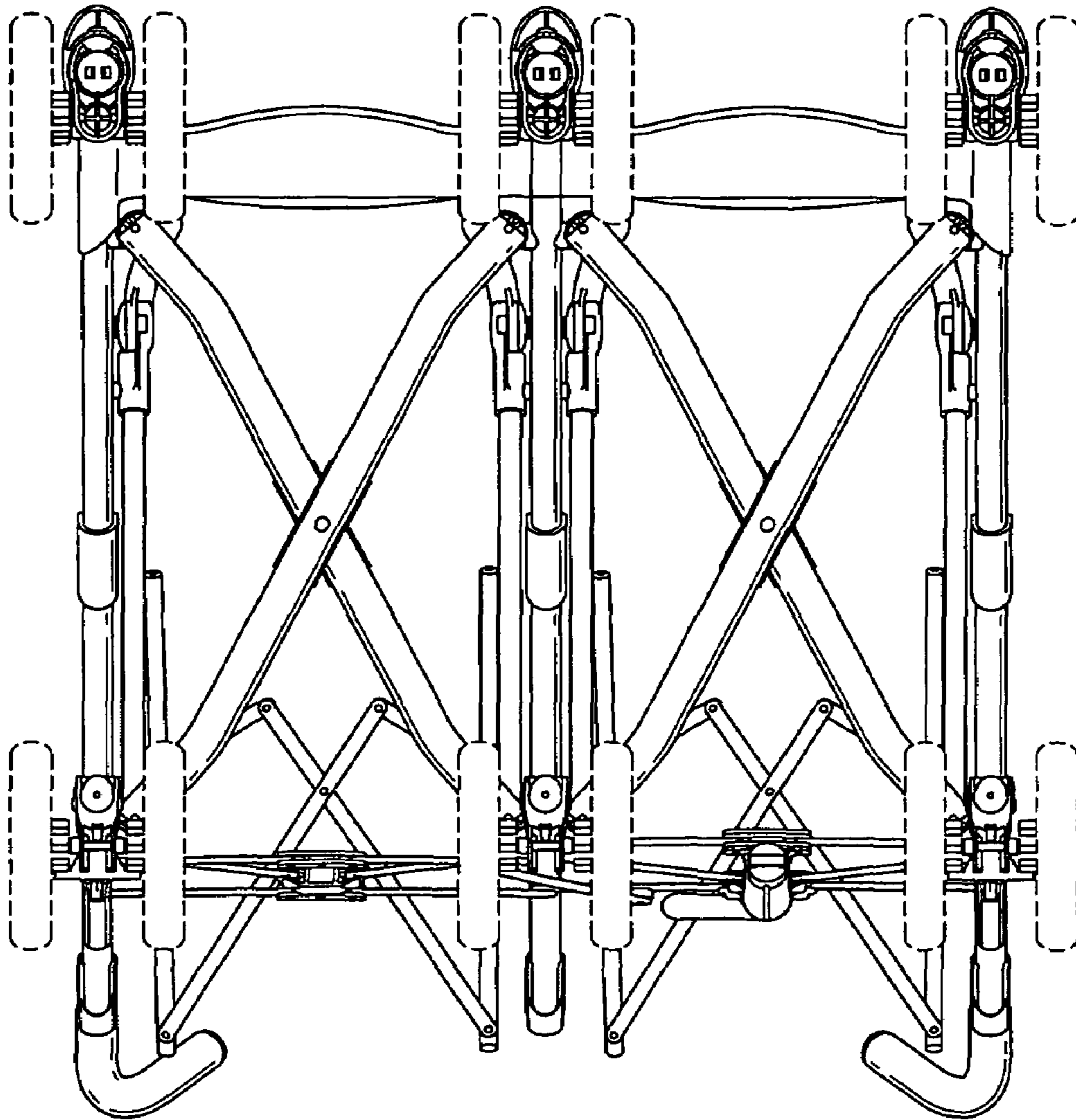


Fig. 7