



US00D598331S

(12) **United States Design Patent**
Tongish et al.

(10) **Patent No.:** **US D598,331 S**

(45) **Date of Patent:** **** Aug. 18, 2009**

(54) **TRICYCLE**

(75) Inventors: **Sabrina Tongish**, Chicago, IL (US);
Timothy Seckel, Streamwood, IL (US)

(73) Assignee: **Radio Flyer, Inc.**, Chicago, IL (US)

(**) Term: **14 Years**

(21) Appl. No.: **29/317,939**

(22) Filed: **May 9, 2008**

(51) **LOC (9) Cl.** **12-11**

(52) **U.S. Cl.** **D12/112**

(58) **Field of Classification Search** D12/112,
D12/113; 280/278, 282, 287, 281.1, 288.1-288.3,
280/62, 263, 270, 271, 202, 259, 211; D21/432,
D21/435, 423; 446/440

See application file for complete search history.

(56) **References Cited**

U.S. PATENT DOCUMENTS

- D355,870 S * 2/1995 Dieudonne D12/112
- D402,596 S * 12/1998 Liu D12/113
- D494,509 S * 8/2004 Chiappetta et al. D12/112

* cited by examiner

Primary Examiner—Cathron C Brooks

Assistant Examiner—Linda Brooks

(74) *Attorney, Agent, or Firm*—DLA Piper LLP (US); R. Blake Johnston, Esq.

(57) **CLAIM**

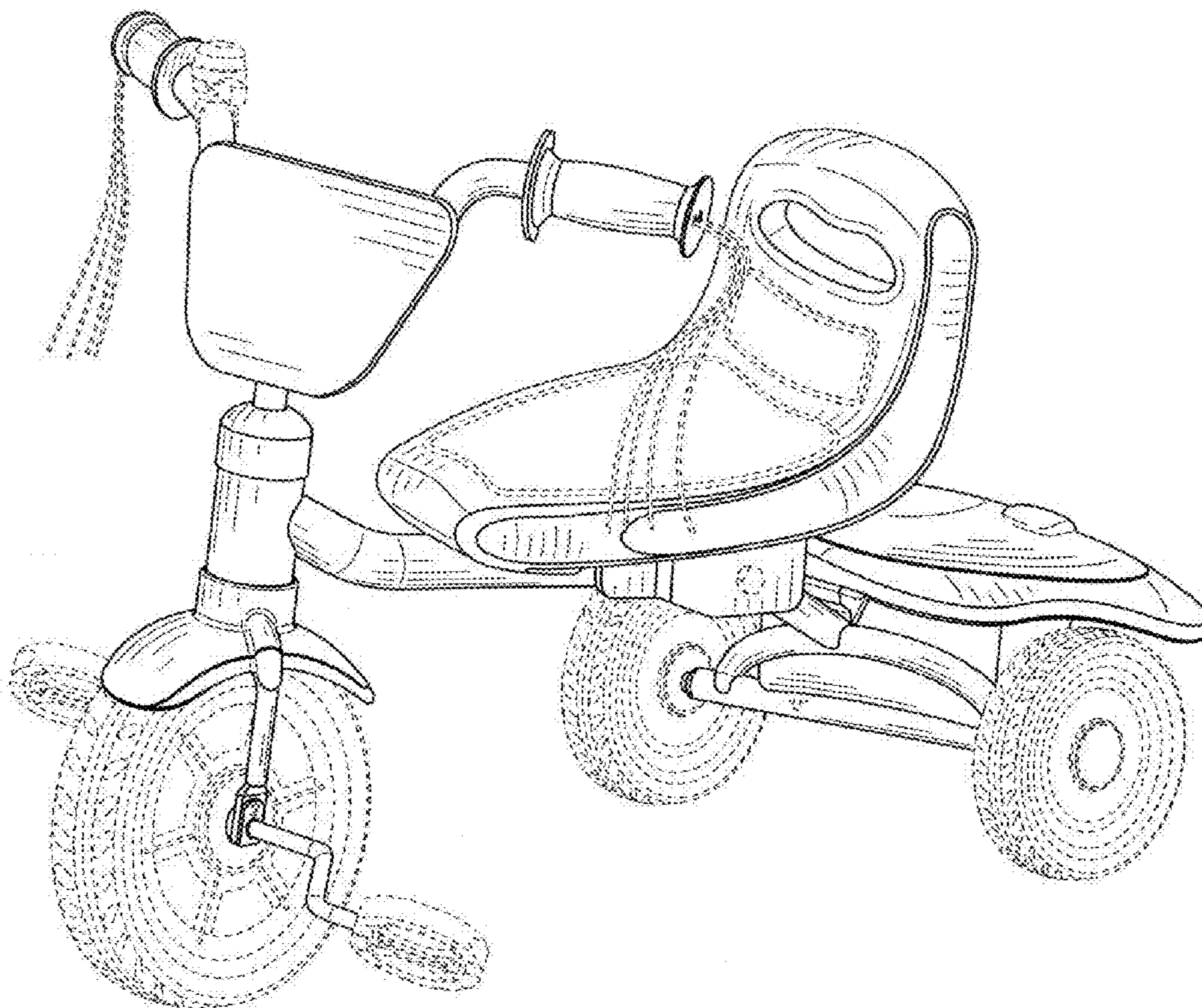
The ornamental design for a tricycle, as shown and described.

DESCRIPTION

- FIG. 1 is a perspective view of the tricycle;
- FIG. 2 is a front elevational view of the tricycle;
- FIG. 3 is a rear elevational view of the tricycle;
- FIG. 4 is a left side elevational view of the tricycle;
- FIG. 5 is a right side elevational view of the tricycle;
- FIG. 6 is a top plan view of the tricycle; and,
- FIG. 7 is a bottom plan view of the tricycle.

The portions of the tricycle that are shown in broken lines form no part of the claimed design.

1 Claim, 7 Drawing Sheets



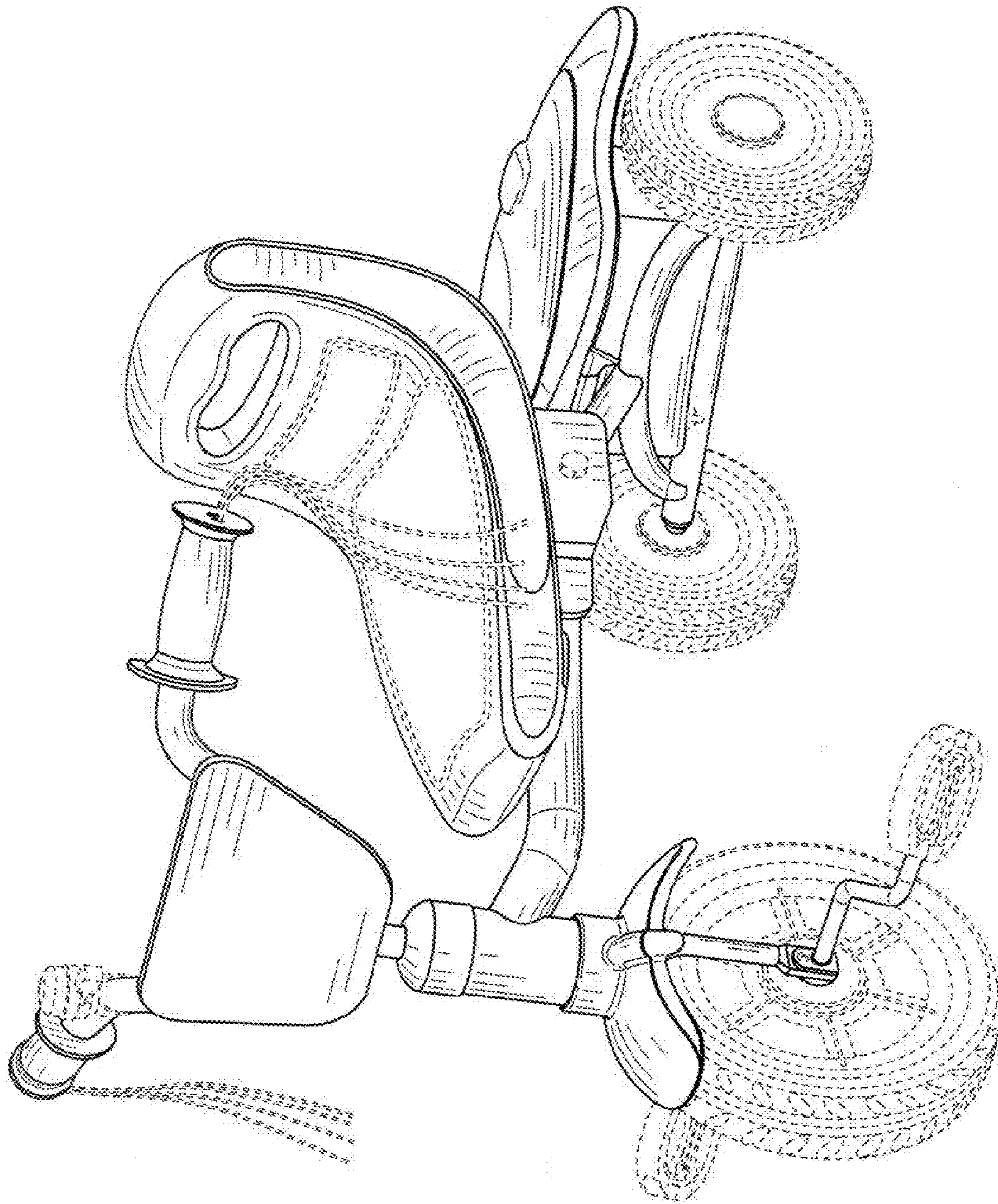


FIG. 1

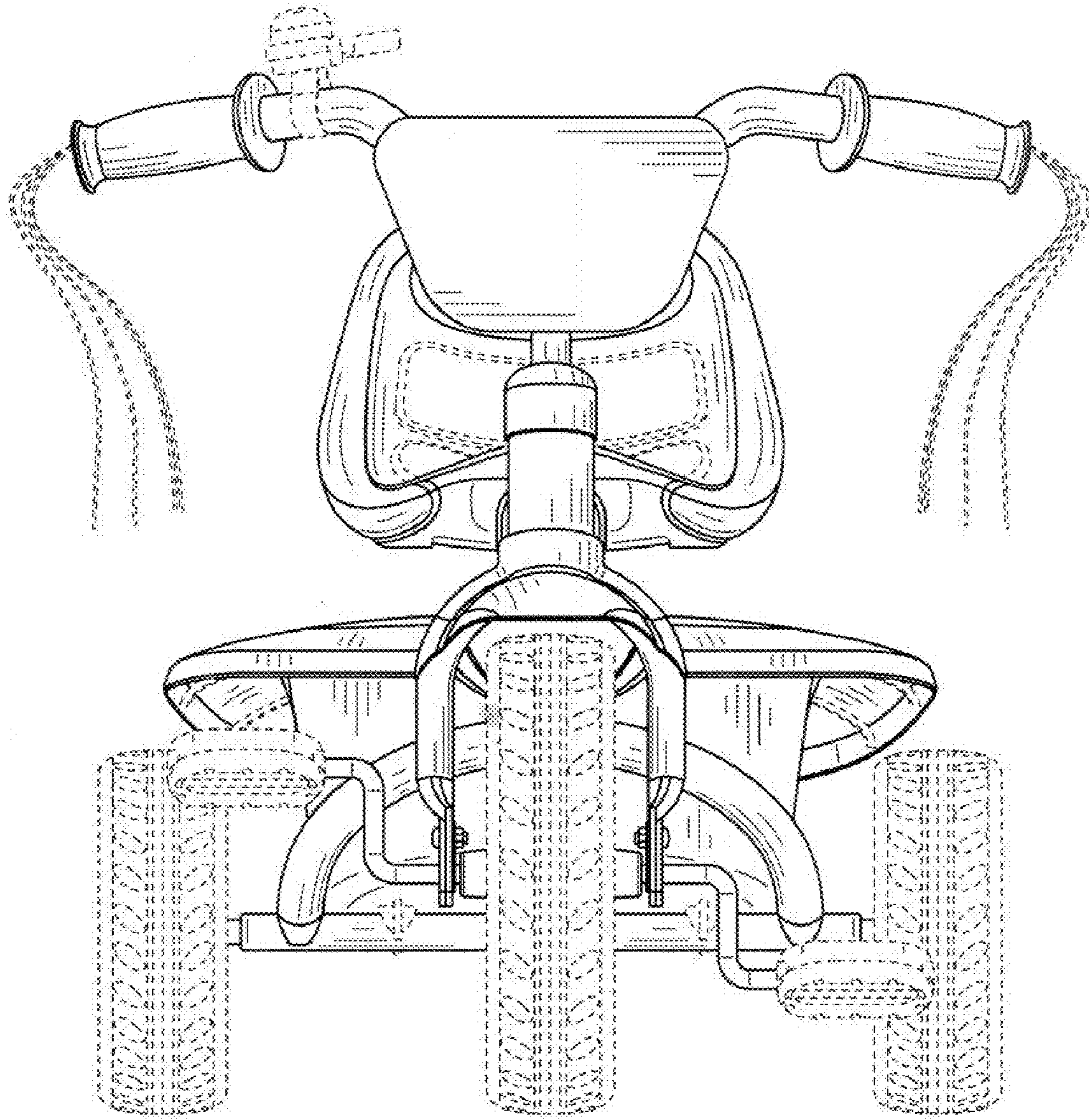


FIG. 2

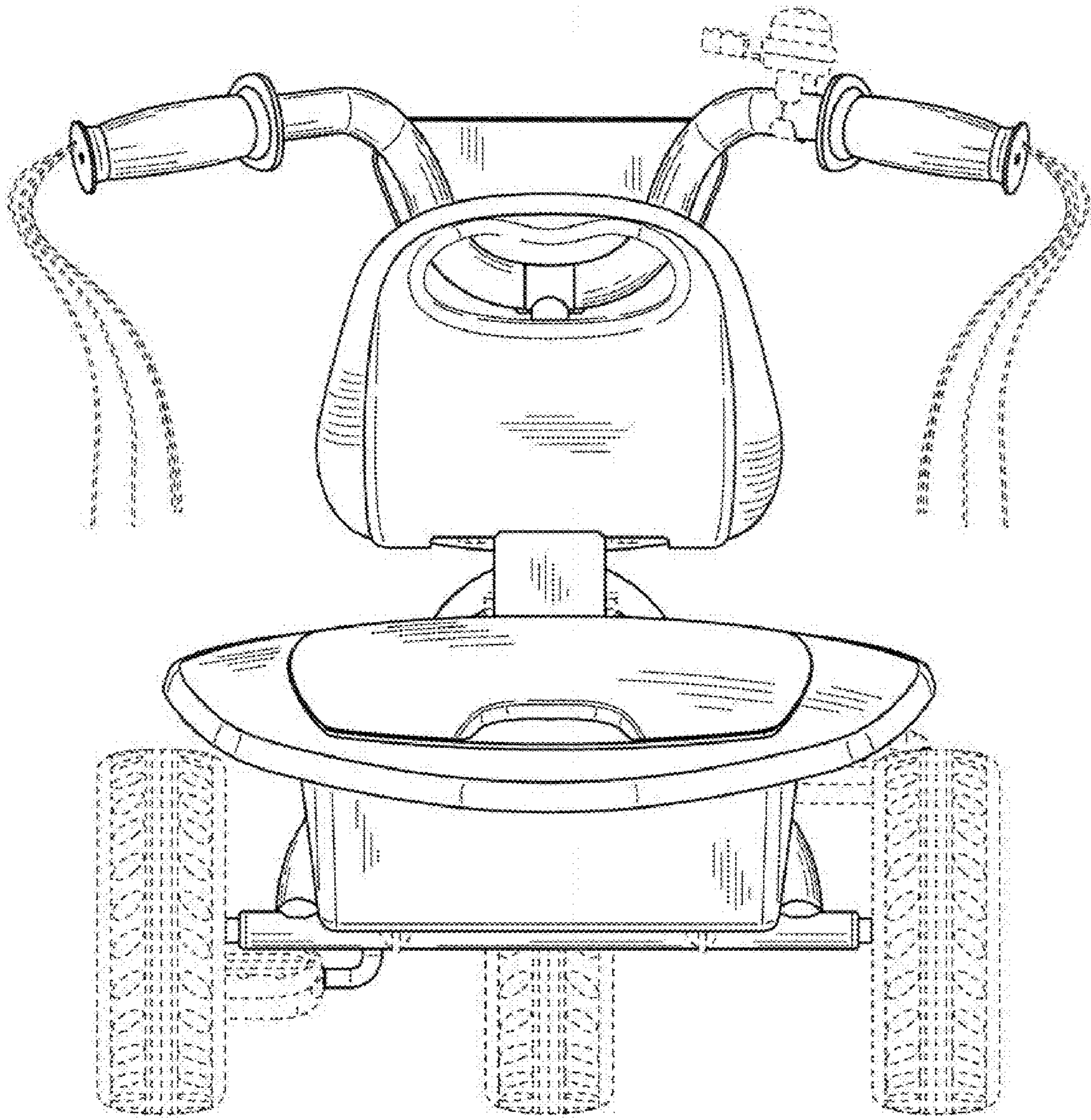


FIG. 3

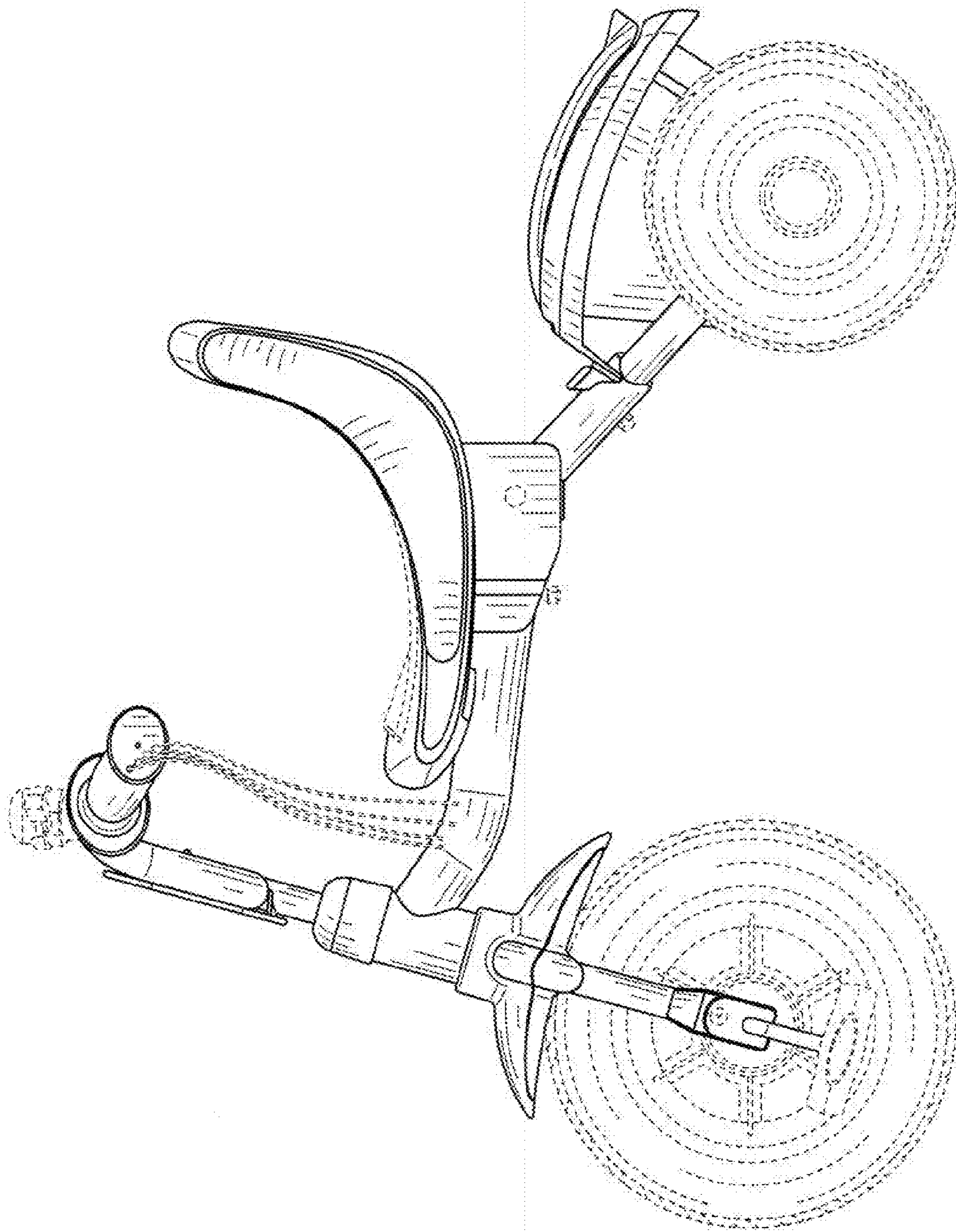


FIG. 4

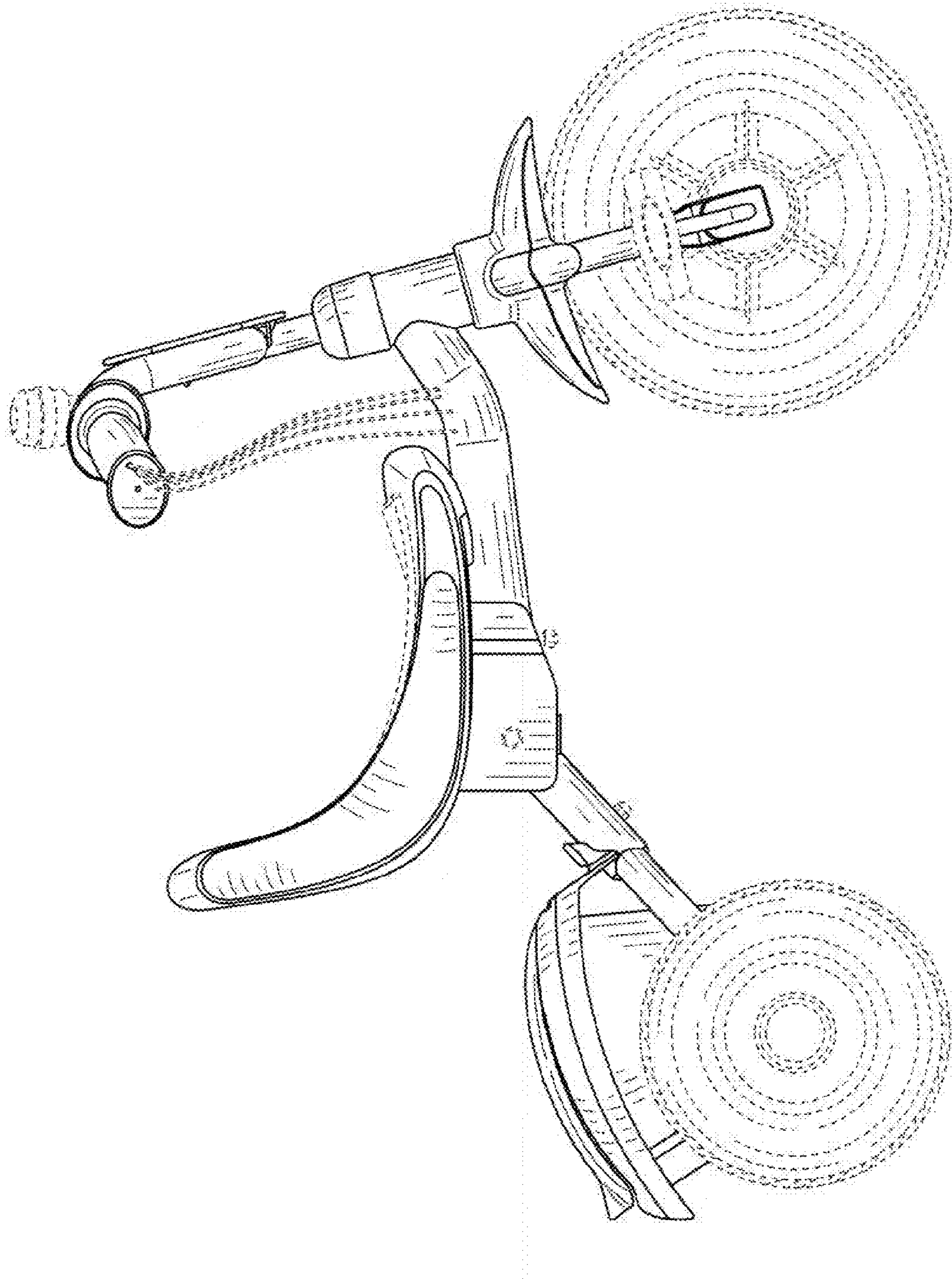


FIG. 5

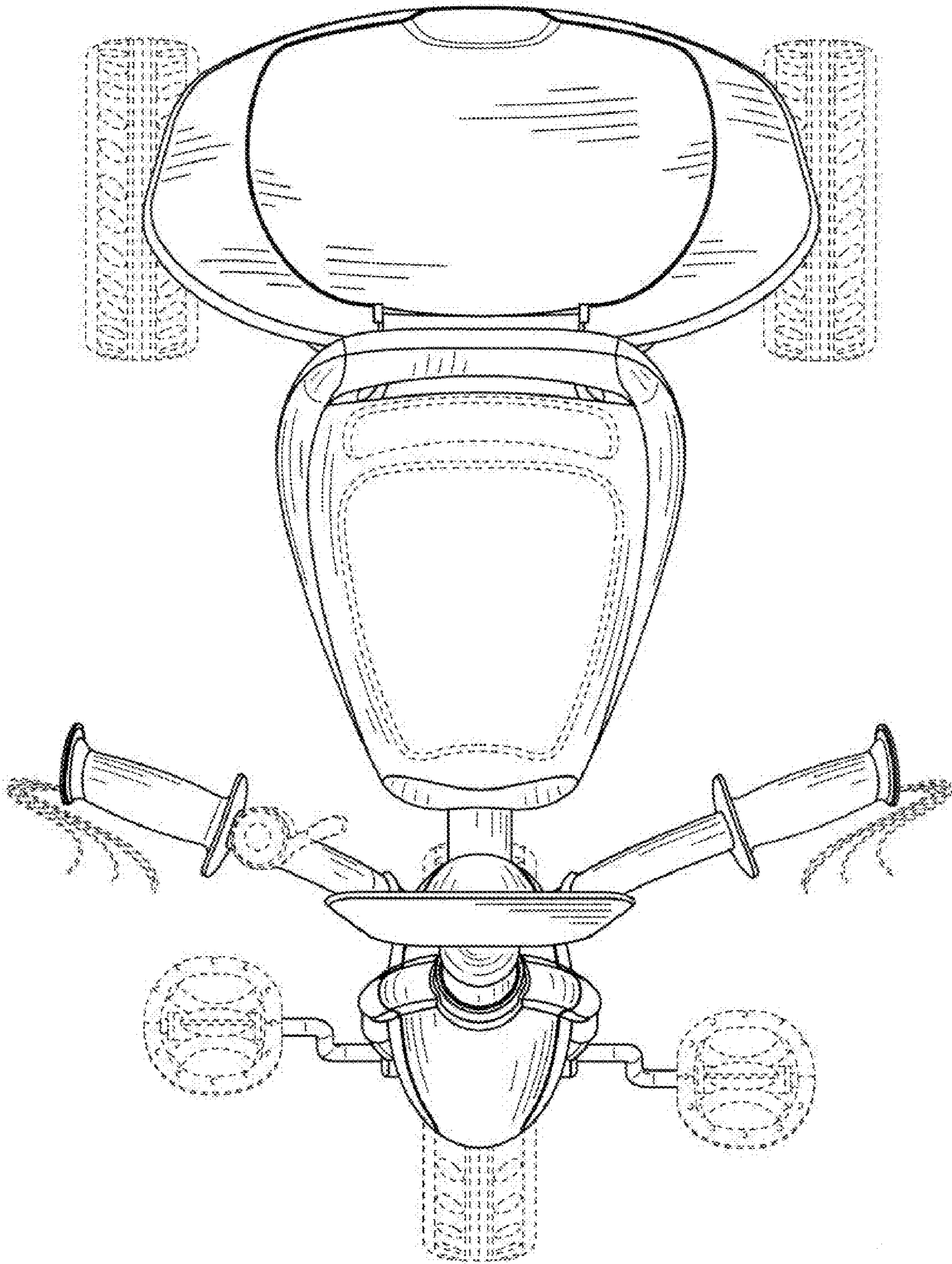


FIG. 6

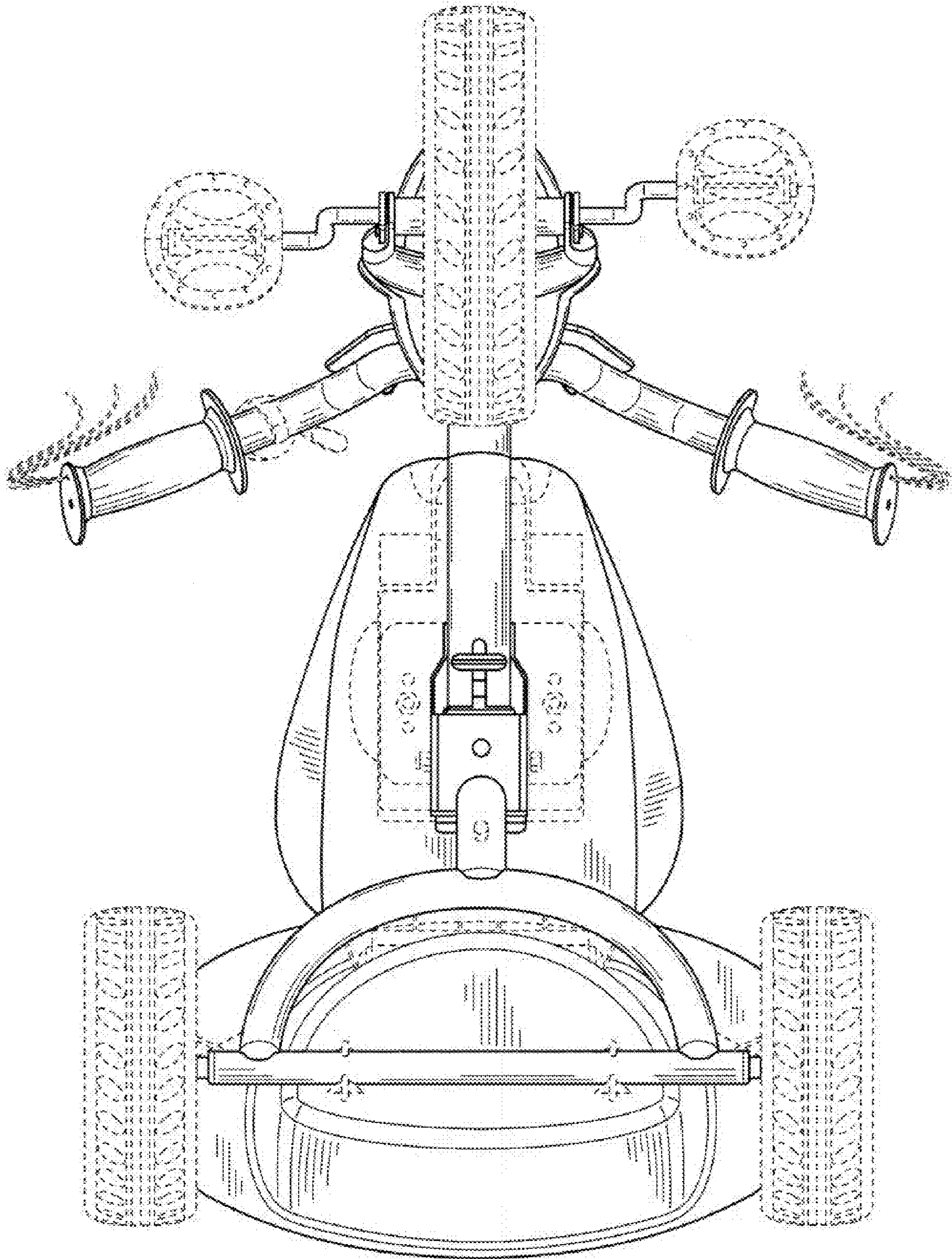


FIG. 7