

US00D598330S

(12) **United States Design Patent**
Miyanishi et al.

(10) **Patent No.:** **US D598,330 S**

(45) **Date of Patent:** **** Aug. 18, 2009**

(54) **MOTORCYCLE**

D583,714 S * 12/2008 Ichihara et al. D12/110

(75) Inventors: **Shuichi Miyanishi**, Kakogawa (JP);
Shunji Tanaka, Kobe (JP); **Takumi Uemoto**, Irvine, CA (US)

* cited by examiner

Primary Examiner—Robin V Webster
Assistant Examiner—Linda Brooks

(73) Assignee: **Kawasaki Jukogyo Kabushiki Kaisha**,
Hyogo (JP)

(57) **CLAIM**

(**) Term: **14 Years**

The ornamental design for a motorcycle, as shown and described.

(21) Appl. No.: **29/328,962**

DESCRIPTION

(22) Filed: **Dec. 4, 2008**

FIG. 1 is a front elevational view of a motorcycle showing our new design;

(51) **LOC (9) Cl.** **12-11**

FIG. 2 is a rear elevational view thereof;

(52) **U.S. Cl.** **D12/110**

FIG. 3 is a left side elevational view thereof;

(58) **Field of Classification Search** D12/110;
180/219, 220, 225, 229

FIG. 4 is a right side elevational view thereof;

See application file for complete search history.

FIG. 5 is a top plan view thereof;

(56) **References Cited**

FIG. 6 is a bottom plan view thereof;

U.S. PATENT DOCUMENTS

FIG. 7 is a front perspective view thereof; and,

D384,601 S * 10/1997 Hiruma et al. D12/110

FIG. 8 is a rear perspective view thereof.

D385,226 S * 10/1997 Mogi et al. D12/110

The tires shown in broken lines form no part of the claimed design.

D387,017 S * 12/1997 Wakita et al. D12/110

D419,922 S * 2/2000 Yamase et al. D12/110

D513,481 S * 1/2006 Lin D12/110

1 Claim, 8 Drawing Sheets

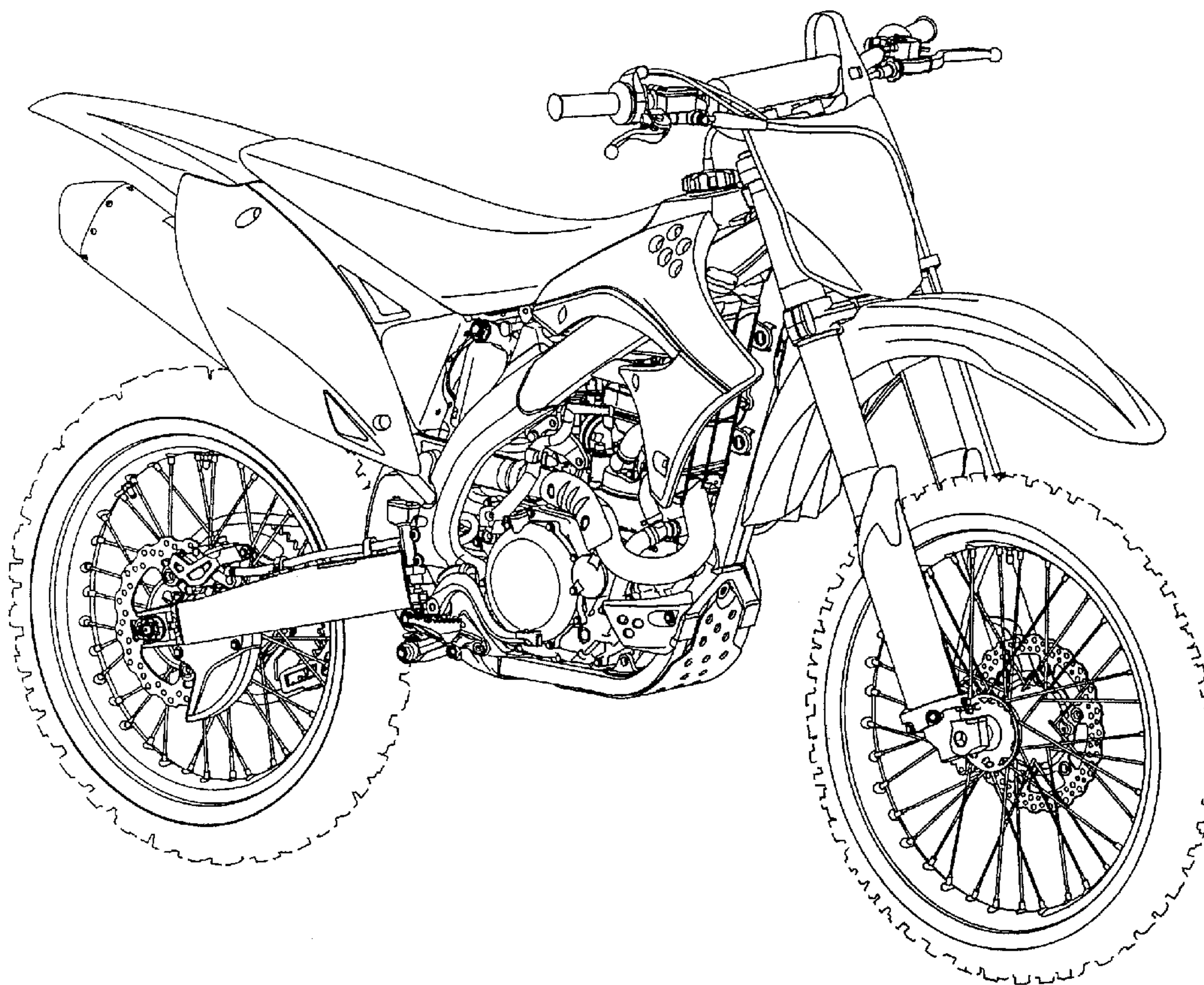


Fig.1

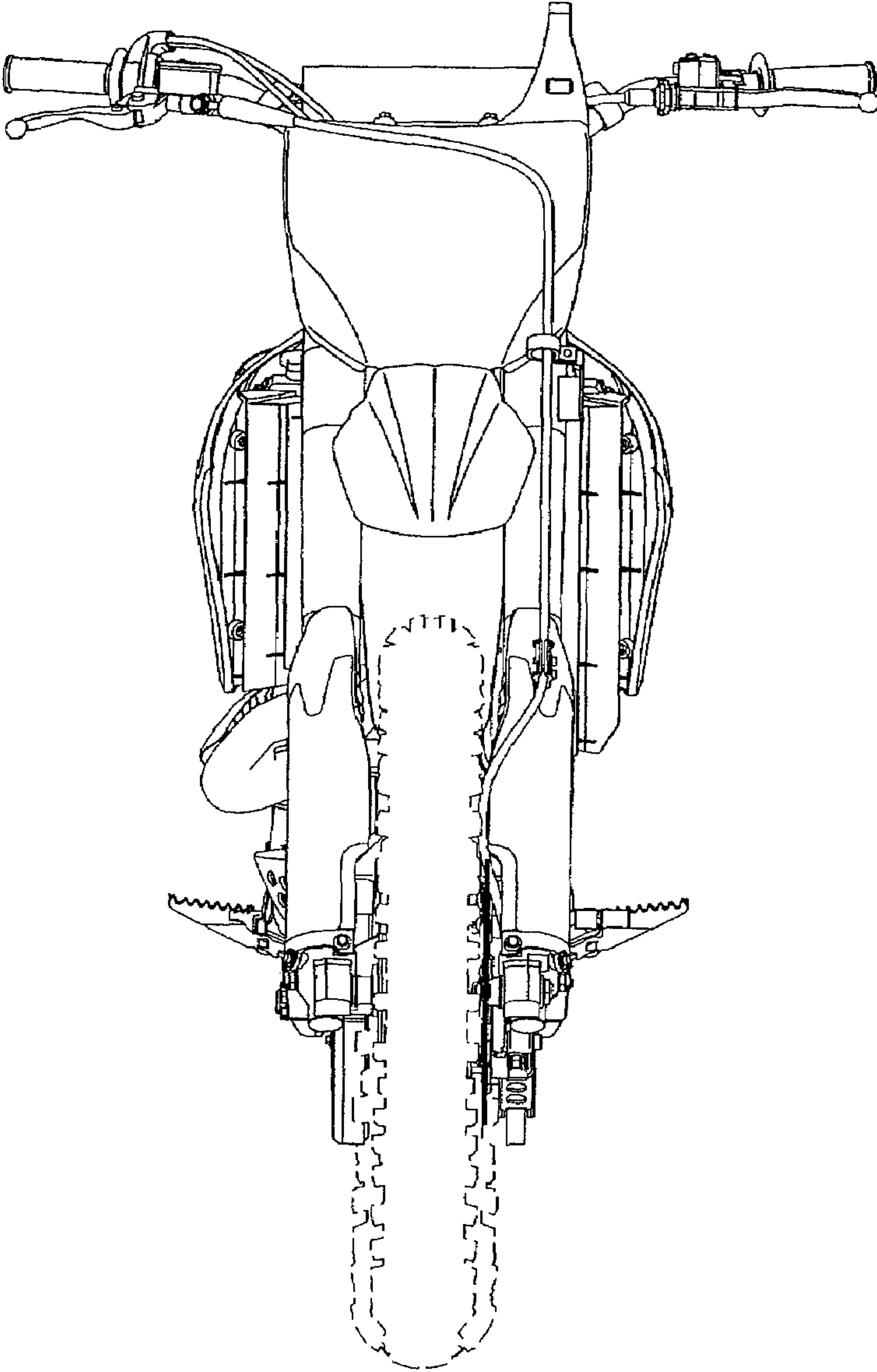
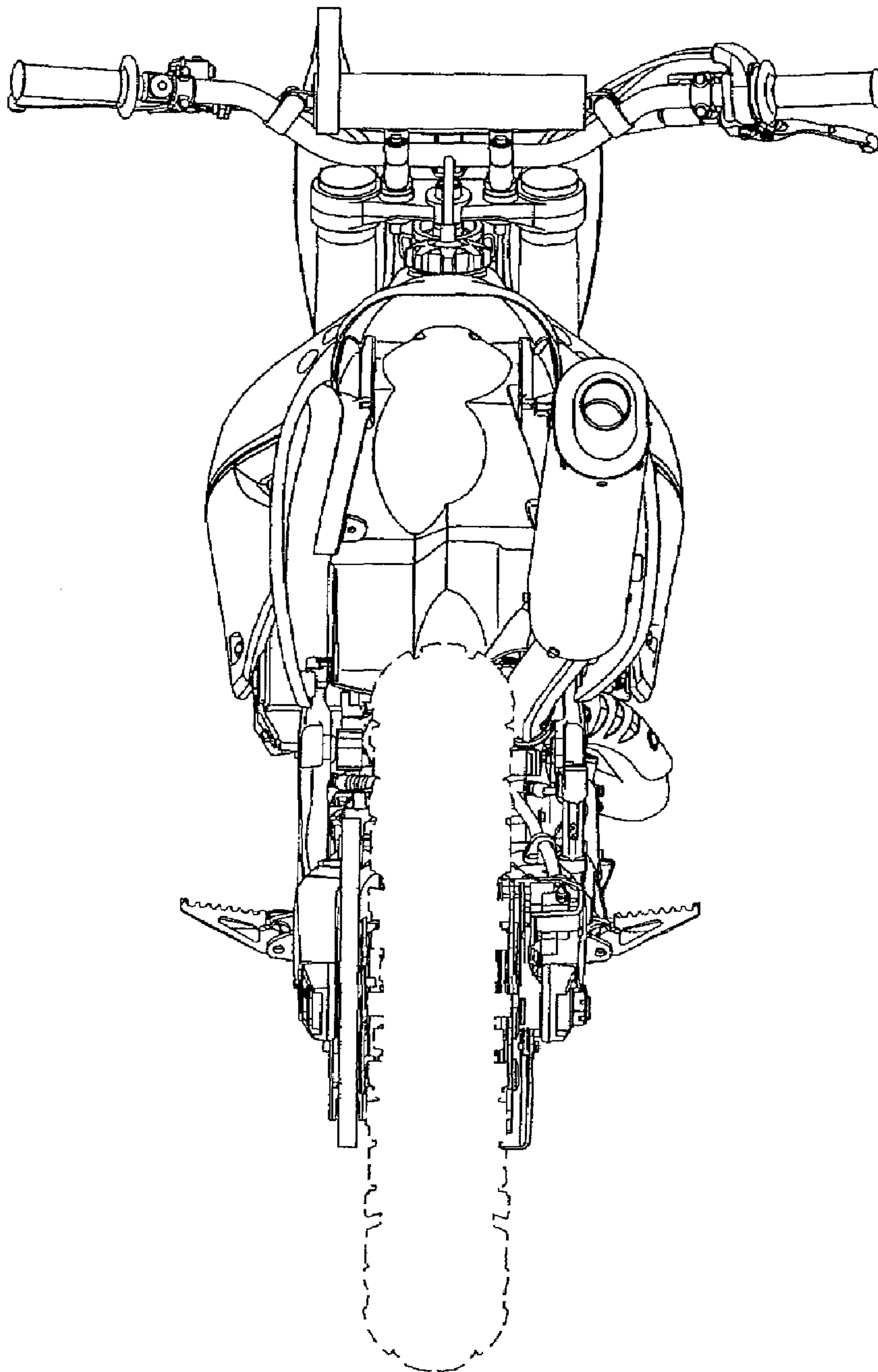


Fig.2



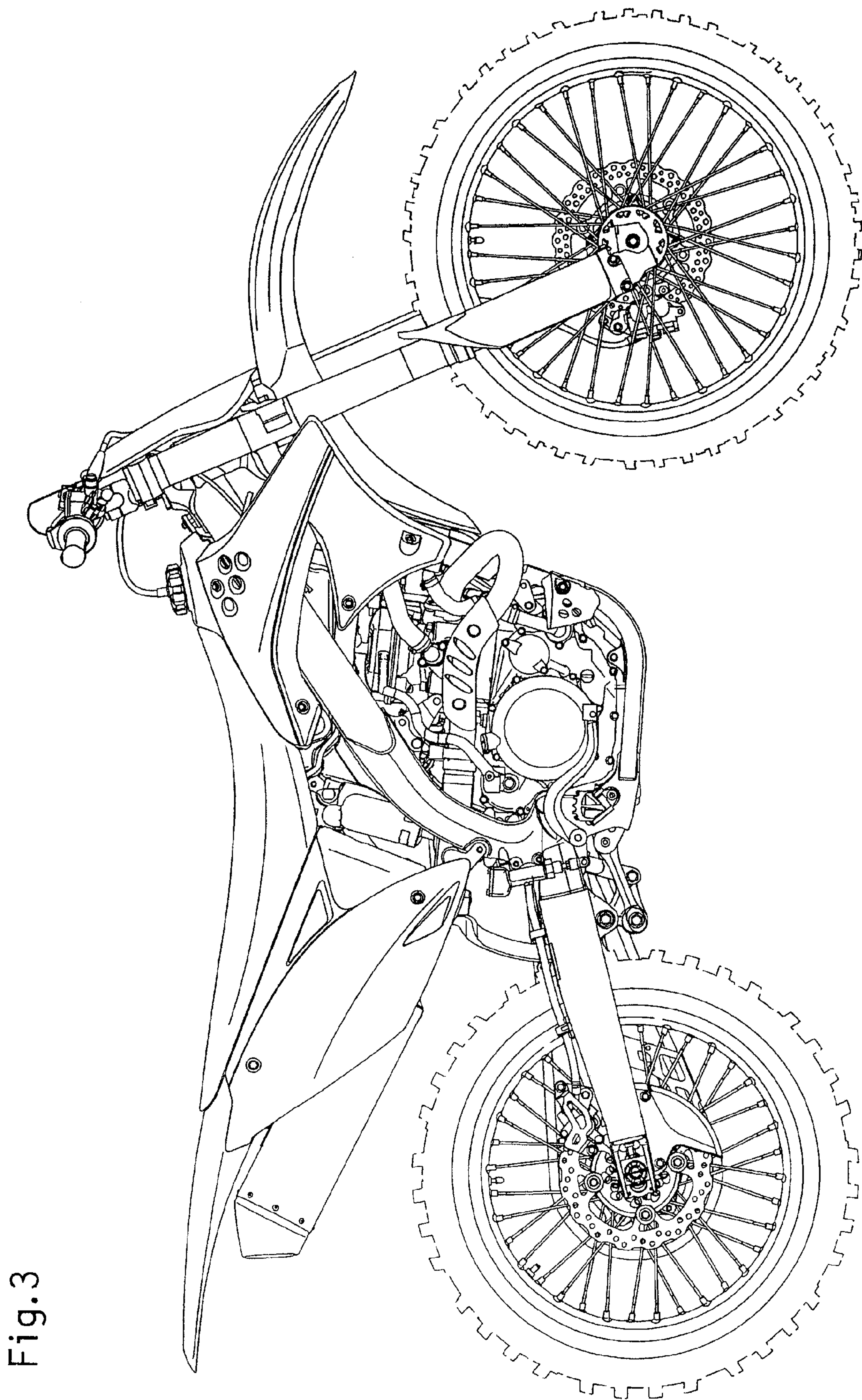


Fig. 3

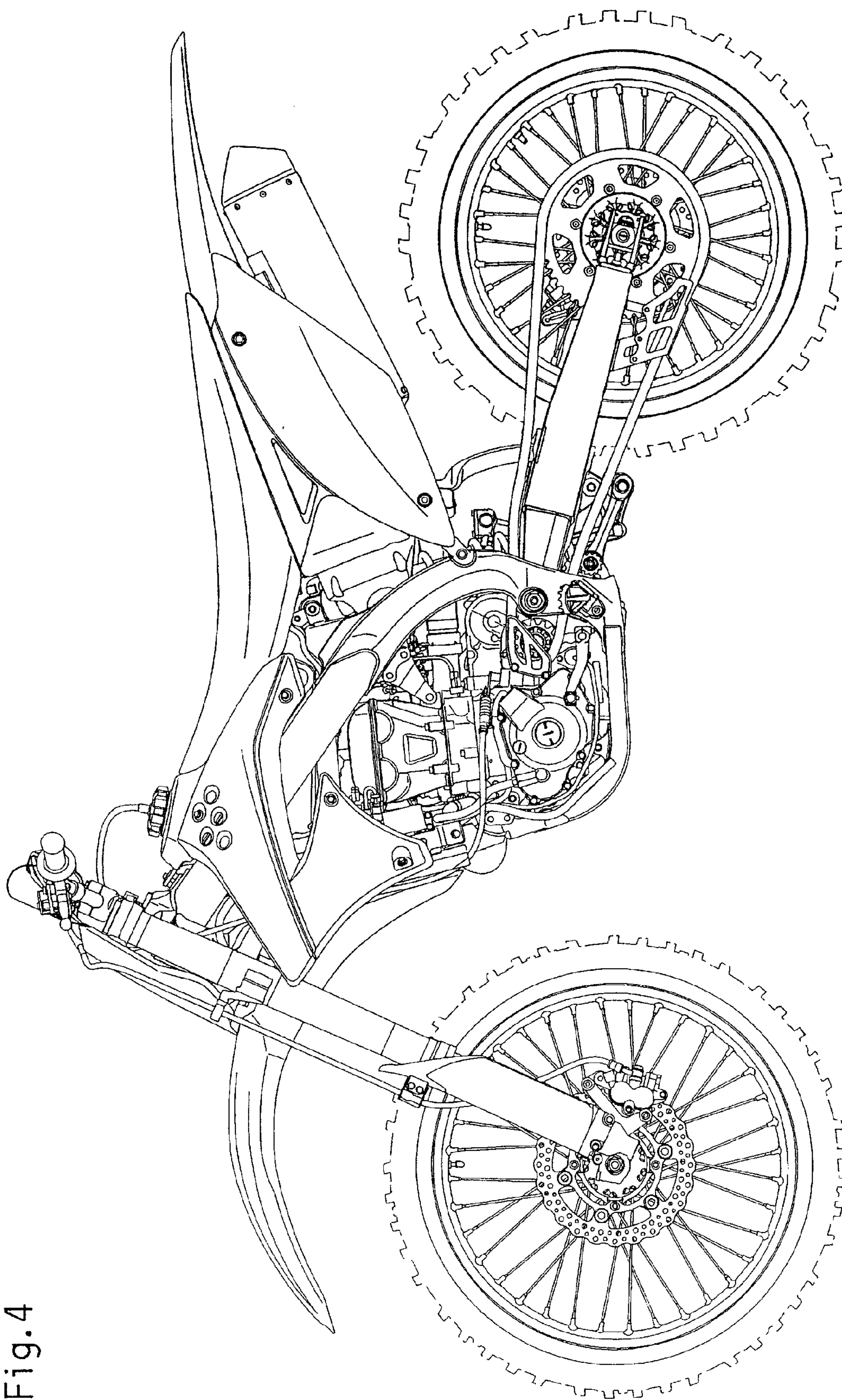


Fig. 4

Fig.5

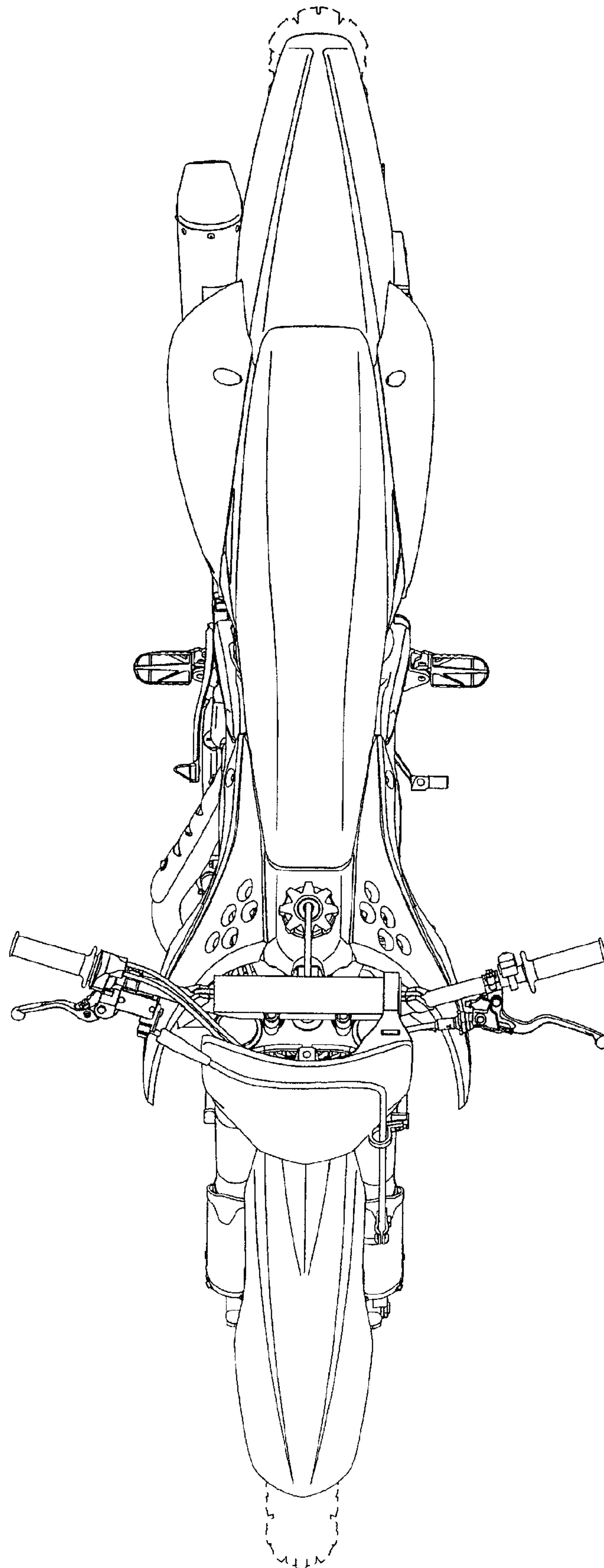
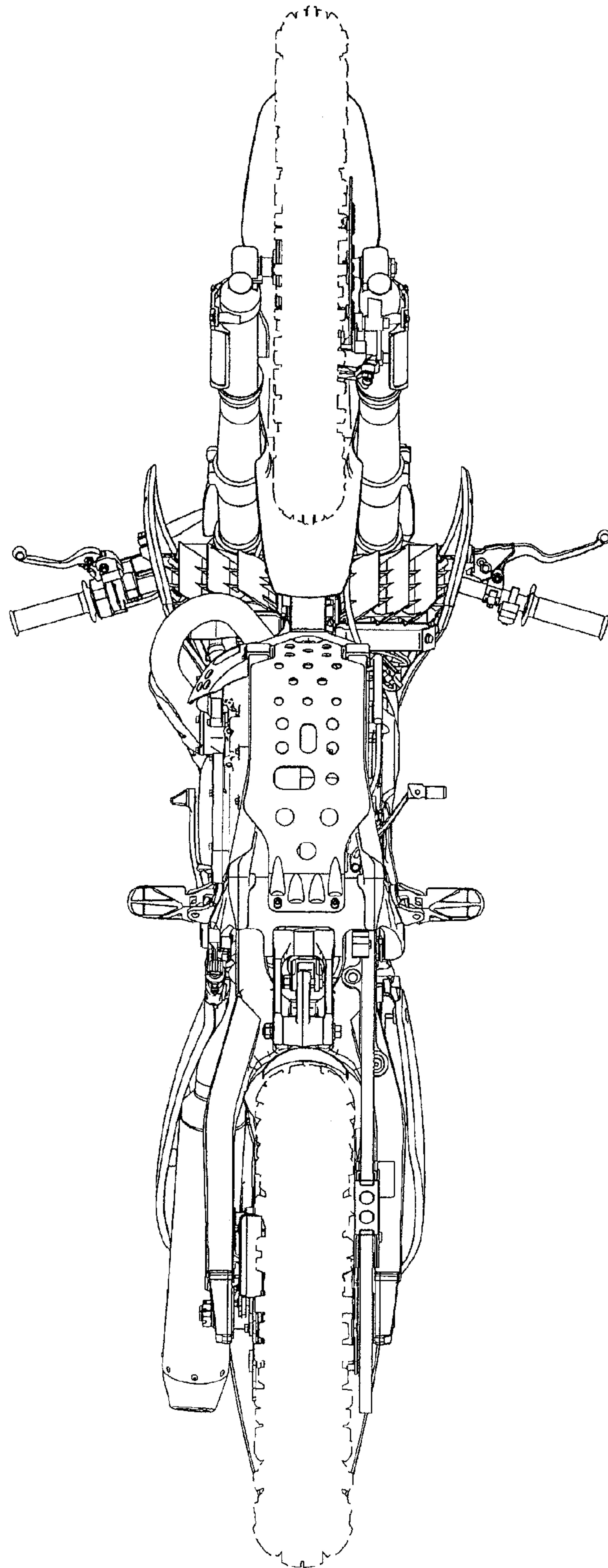


Fig.6



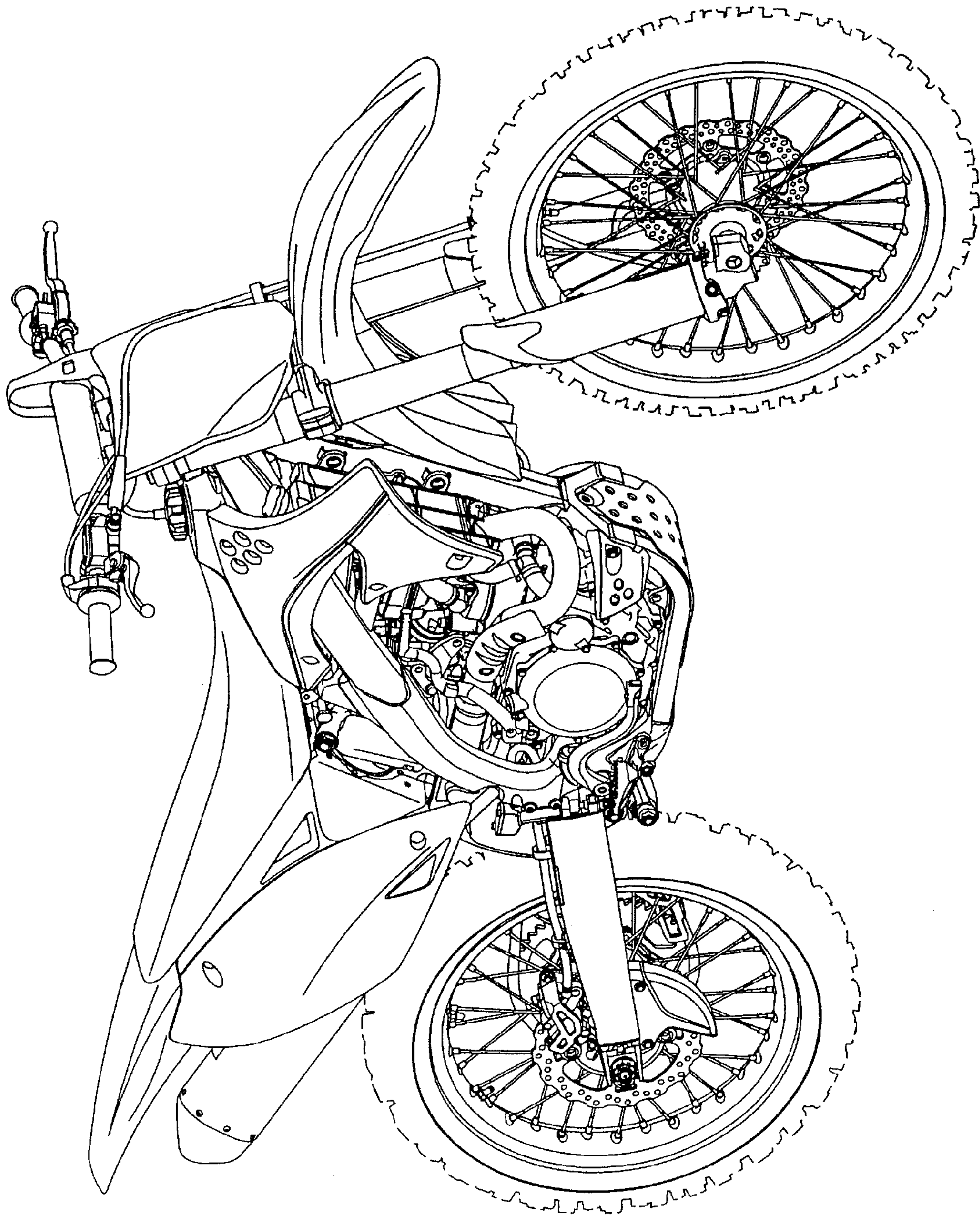


Fig.7

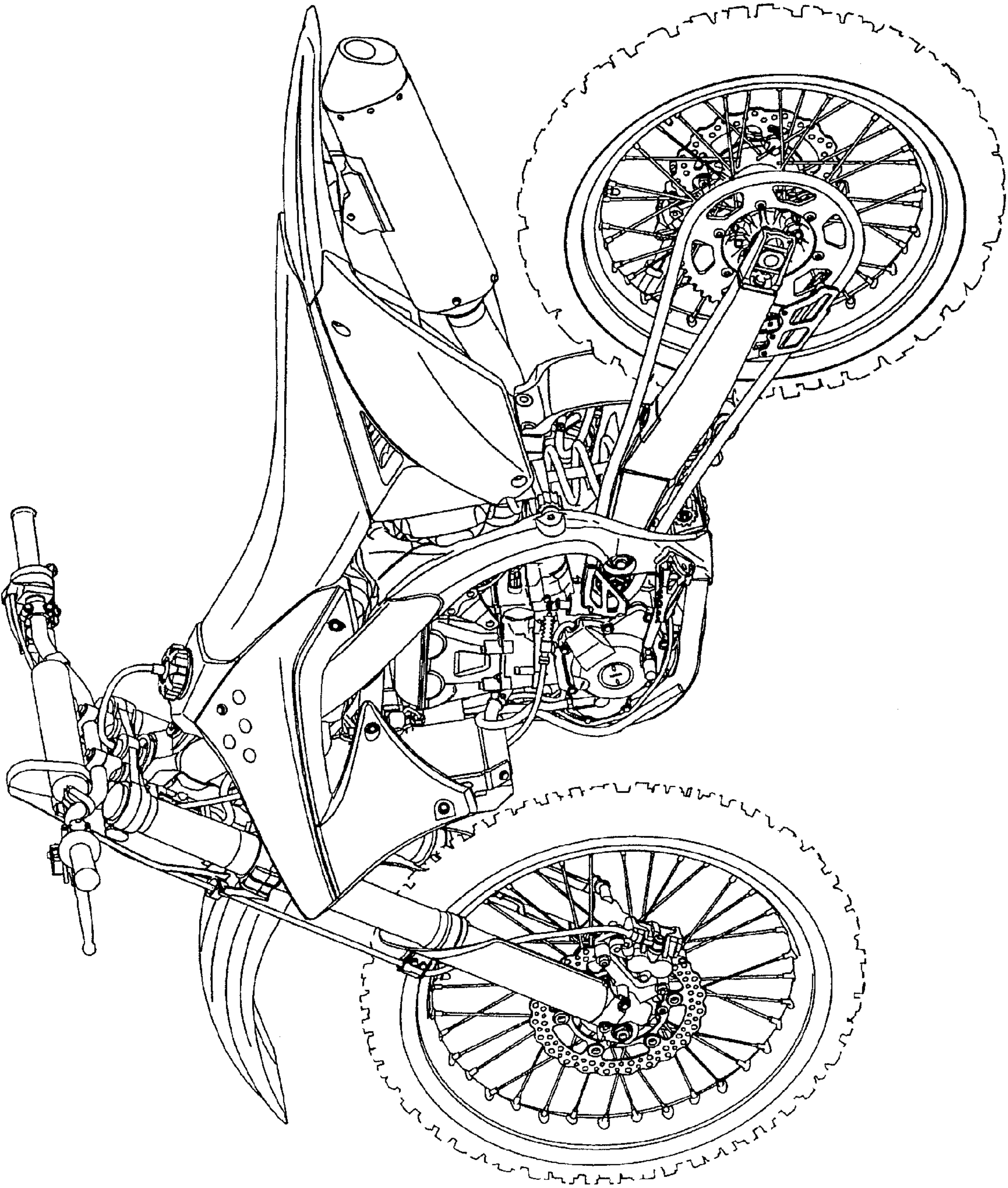


Fig. 8