



US00D598328S

(12) **United States Design Patent**  
**Lambri**

(10) **Patent No.:** **US D598,328 S**

(45) **Date of Patent:** **\*\* Aug. 18, 2009**

(54) **MOTORCYCLE**

2007/0075514 A1\* 4/2007 Saiki ..... 280/124.103

(75) Inventor: **Marco Lambri**, Pontedera (IT)

\* cited by examiner

(73) Assignee: **Piaggio & C. S.p.A.**, Pontedera (Pisa)  
(IT)

*Primary Examiner*—Robin V Webster

*Assistant Examiner*—Linda Brooks

(\*\*) Term: **14 Years**

(74) *Attorney, Agent, or Firm*—James V. Costigan; Hedman  
& Costigan, P.C.

(21) Appl. No.: **29/307,786**

(57) **CLAIM**

(22) Filed: **May 12, 2008**

The ornamental design for a motorcycle, as shown and  
described.

(51) **LOC (9) Cl.** ..... **12-11**

(52) **U.S. Cl.** ..... **D12/110**

(58) **Field of Classification Search** ..... D12/107,  
D12/110, 112; 180/219, 220, 225, 229, 210,  
180/908, 211, 215, 217; 280/124.103

See application file for complete search history.

**DESCRIPTION**

FIG. 1 is a front side perspective view of the invention;

FIG. 2 is a front view of the invention;

FIG. 3 is a rear view of the invention;

FIG. 4 is a left side view of the invention;

FIG. 5 is a right side view of the invention; and

FIG. 6 is a top view of the invention; and,

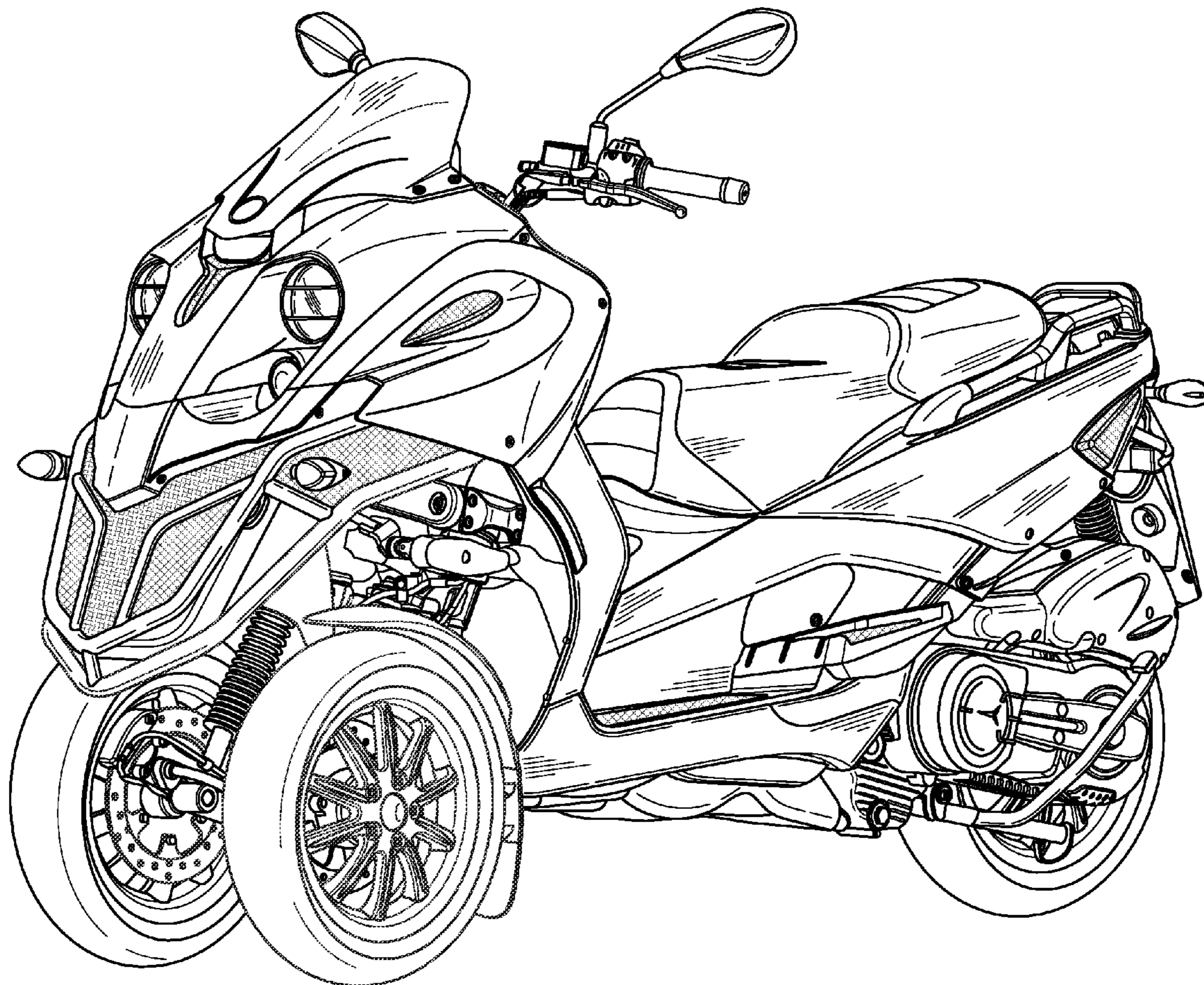
FIG. 7 is a bottom view of the invention.

(56) **References Cited**

**U.S. PATENT DOCUMENTS**

D292,565 S	*	11/1987	Badsey	.....	D12/85
D485,788 S	*	1/2004	Guay et al.	.....	D12/107
D547,242 S	*	7/2007	Lambri	.....	D12/110
D581,320 S	*	11/2008	Longpre et al.	.....	D12/107

**1 Claim, 7 Drawing Sheets**



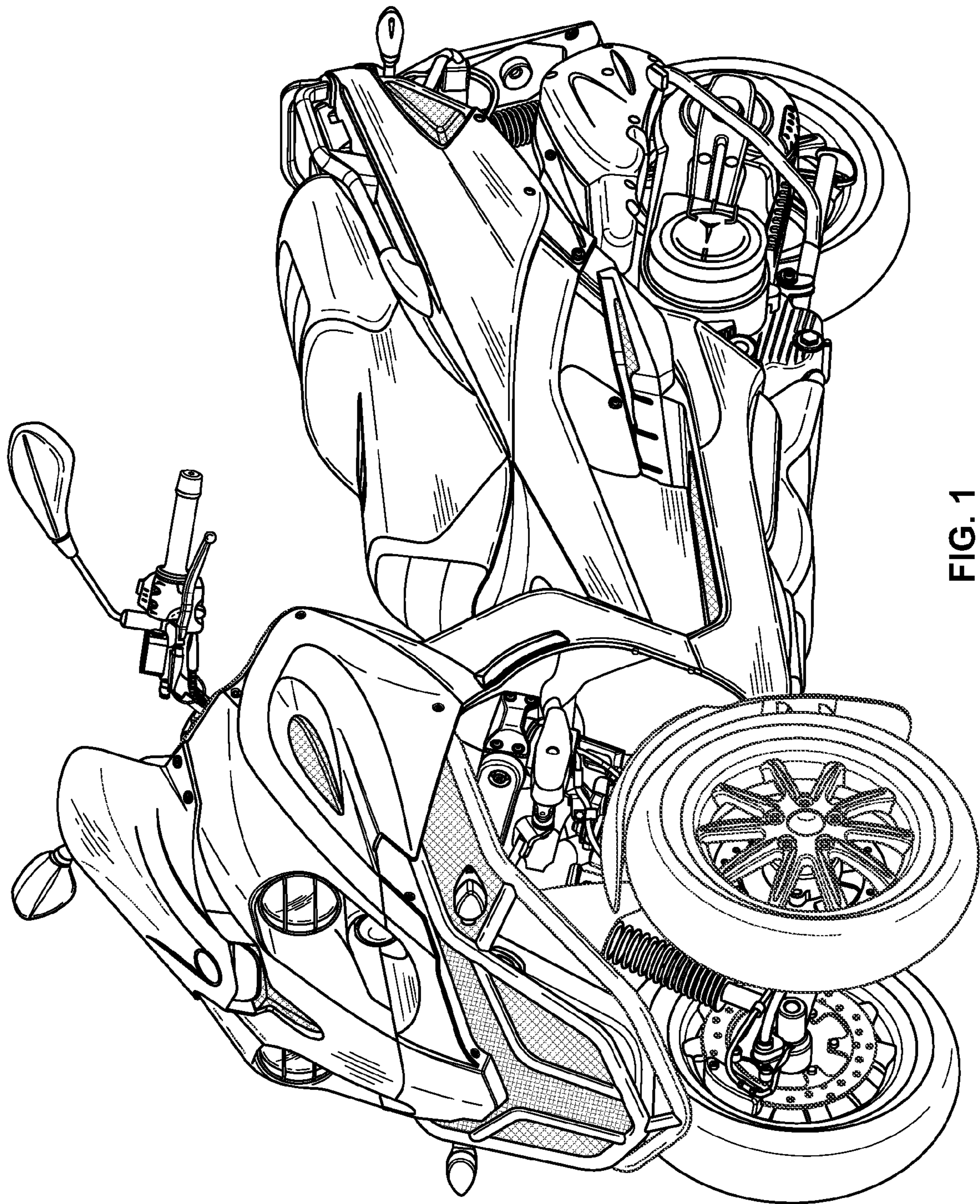


FIG. 1

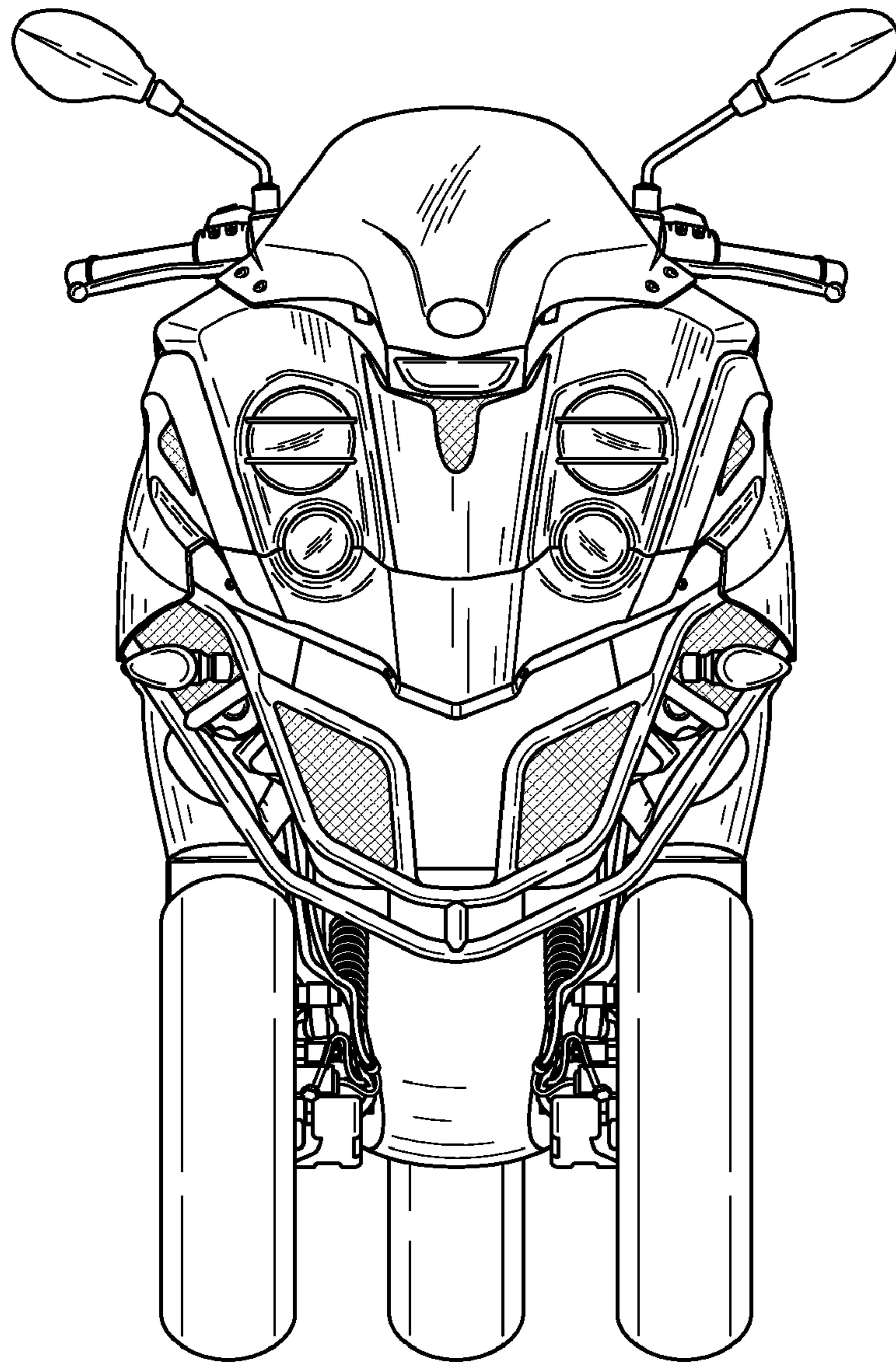


FIG. 2

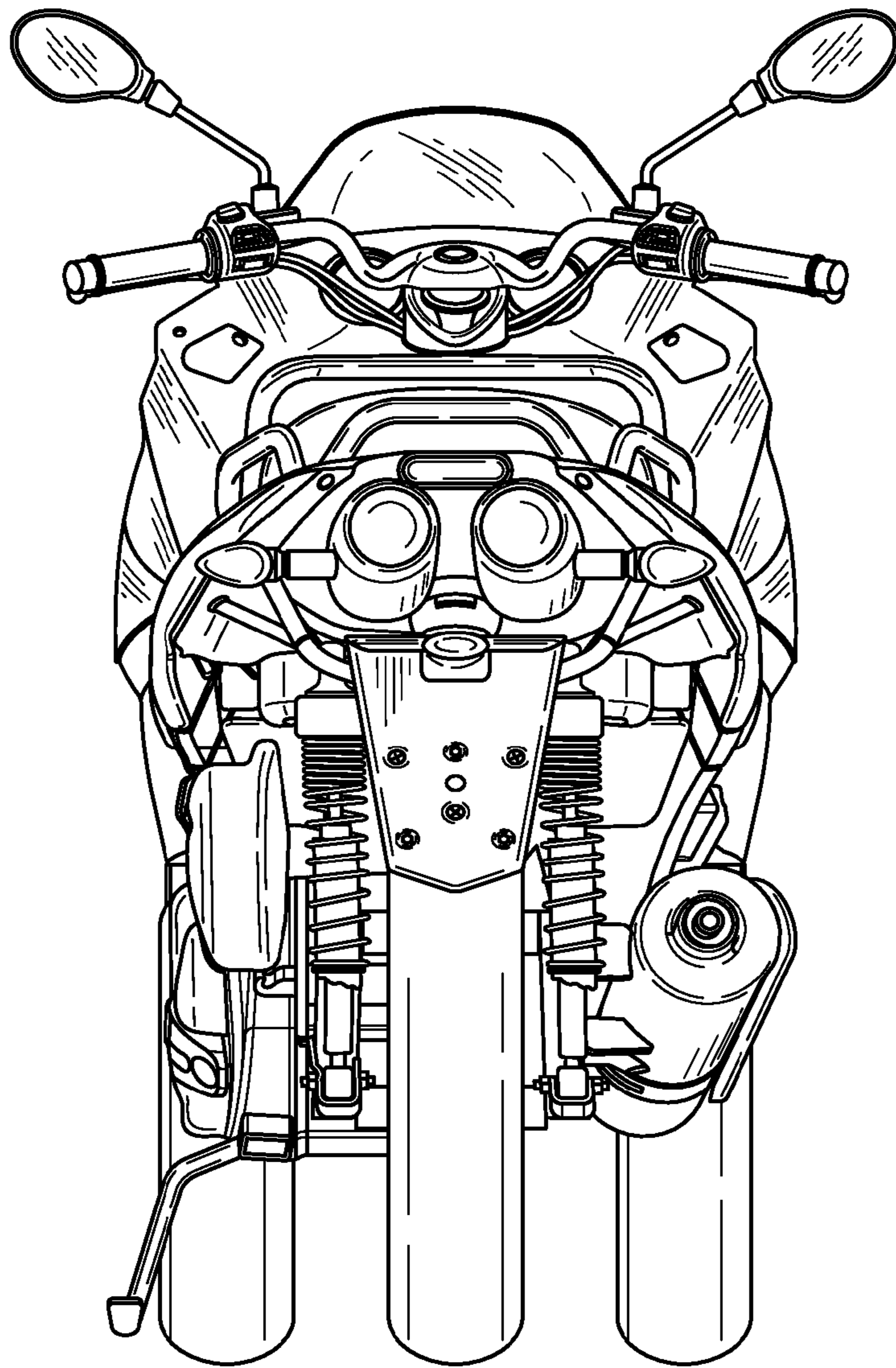


FIG. 3

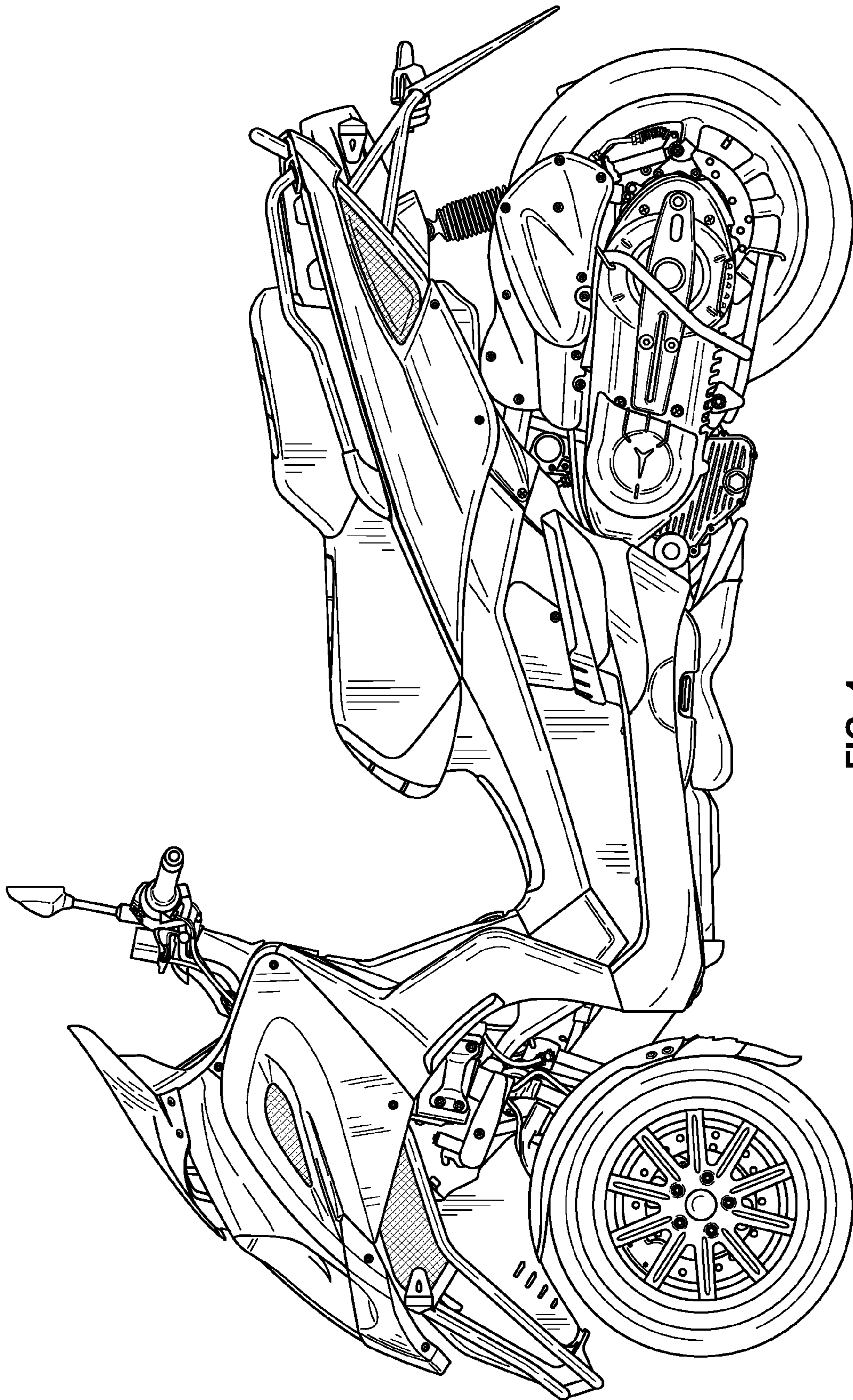


FIG. 4

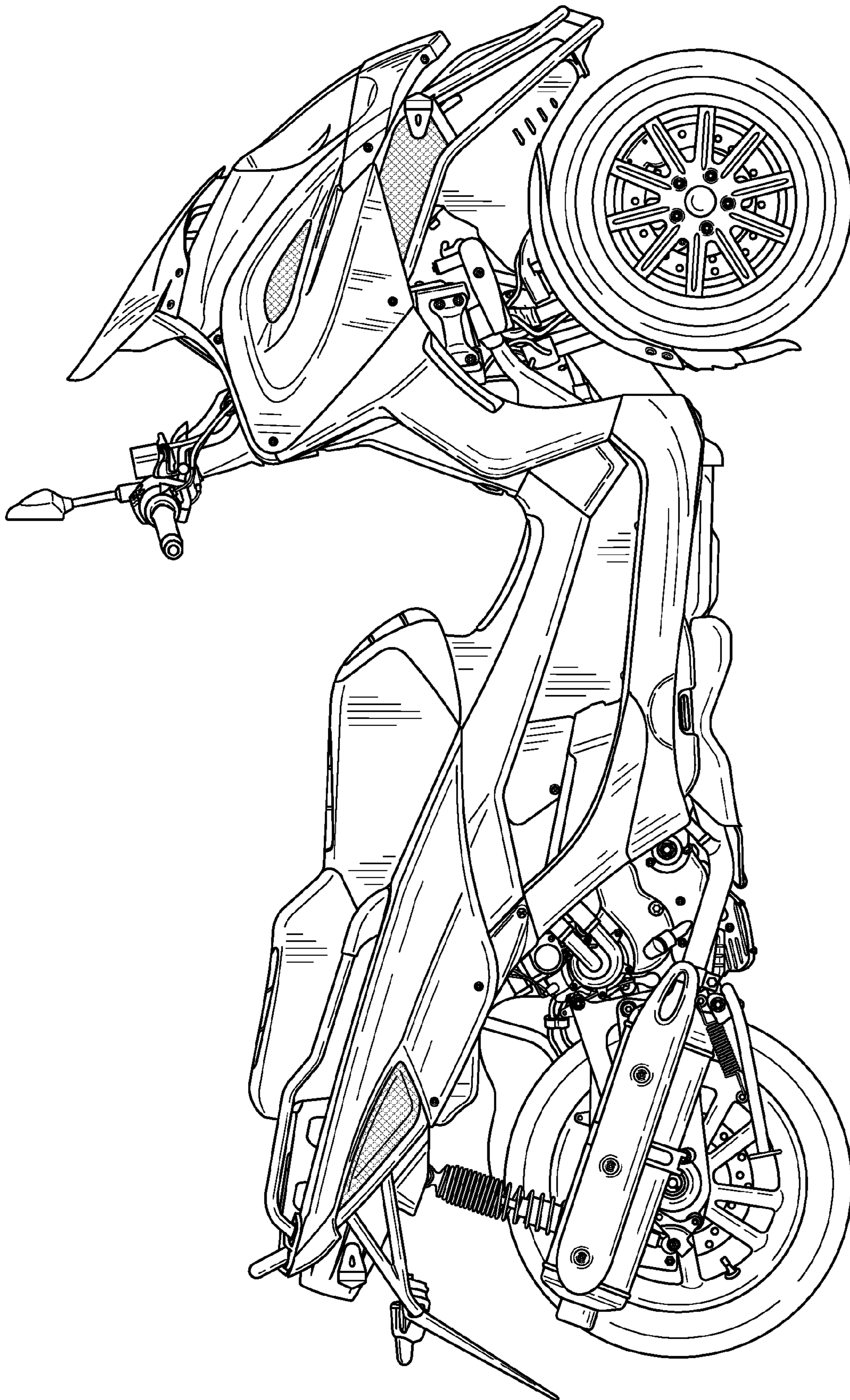


FIG. 5

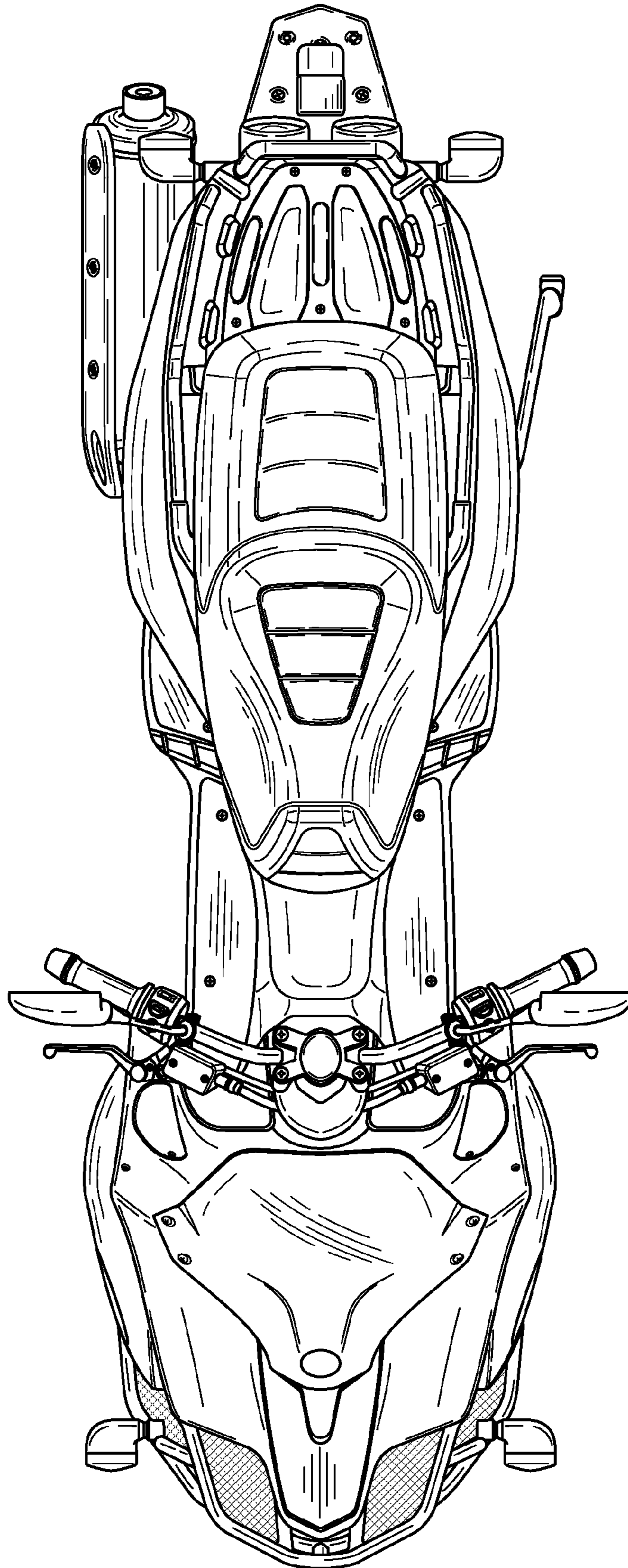


FIG. 6

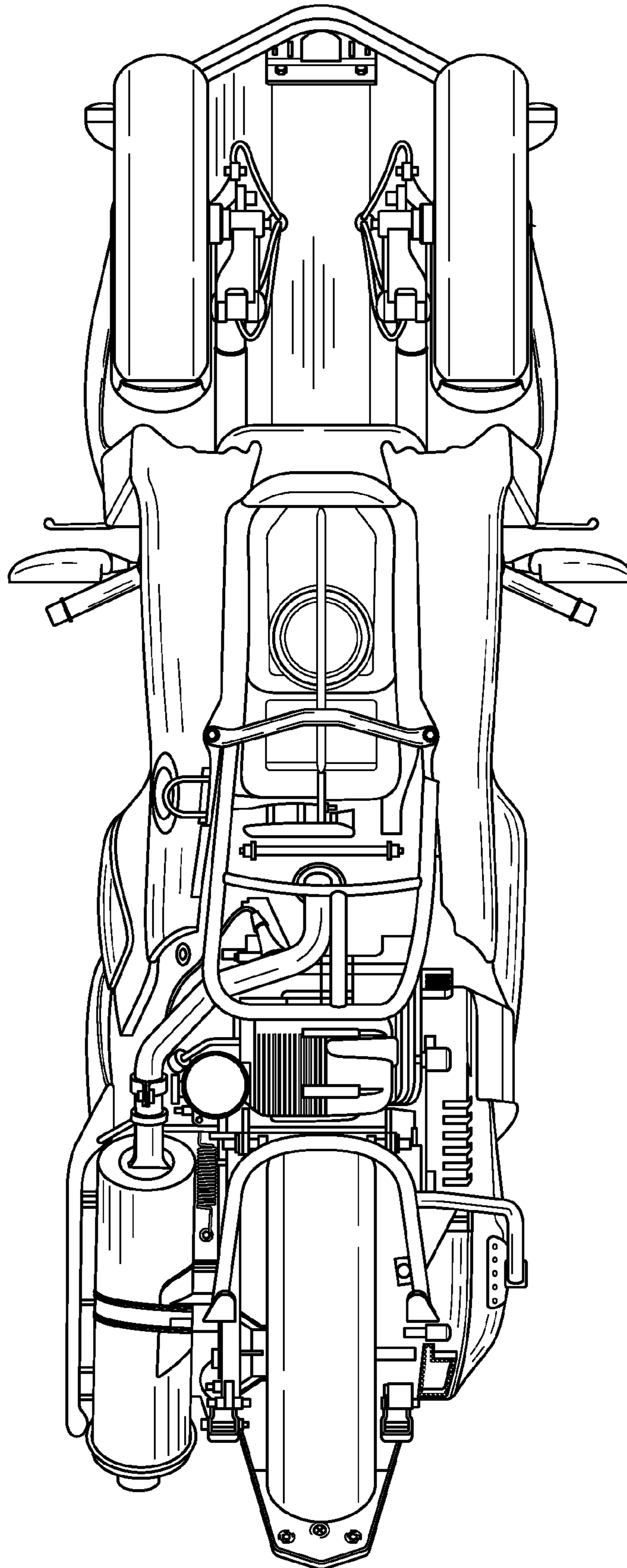


FIG. 7