



US00D598327S

(12) **United States Design Patent**  
**Gruszynski**

(10) **Patent No.:** **US D598,327 S**

(45) **Date of Patent:** **\*\* Aug. 18, 2009**

(54) **MOTORCYCLE TRAILER**

(76) Inventor: **Richard D Gruszynski**, 3007 Evergreen Ave., Green Bay, WI (US) 54313

(\*\*) Term: **14 Years**

(21) Appl. No.: **29/308,366**

(22) Filed: **Jun. 11, 2008**

(51) **LOC (9) Cl.** ..... **12-10**

(52) **U.S. Cl.** ..... **D12/101**

(58) **Field of Classification Search** ..... D12/101–102,  
D12/105; 280/209, 418.1, 491.1, 482, 400;  
296/181, 24.1

See application file for complete search history.

(56) **References Cited**

U.S. PATENT DOCUMENTS

3,649,064	A *	3/1972	Bledsoe	296/157
3,751,073	A *	8/1973	Alexander et al.	280/482
3,937,489	A	2/1976	Hawes et al.	
4,057,283	A	11/1977	Barnett	
D249,138	S *	8/1978	Butler	D12/105
D265,475	S *	7/1982	Pape	D12/303
D270,827	S *	10/1983	Dorfman	D12/302
D274,896	S	7/1984	Wilson	
D277,173	S *	1/1985	Jenkins	D12/101
4,536,001	A	8/1985	Wagner	
4,685,691	A	8/1987	Tremblay	
D299,846	S *	2/1989	Shanelec	D21/769
D305,008	S *	12/1989	Page	D12/105
5,082,307	A	1/1992	Hollingworth, Jr.	
D338,868	S *	8/1993	Ackerbloom	D12/314
5,320,371	A	6/1994	Levad	
D359,528	S *	6/1995	Knudsen	D21/542
D373,100	S	8/1996	Carter	
D377,633	S	1/1997	Hutchins	
D378,583	S	3/1997	Aitken, III	
D383,332	S *	9/1997	Schneider	D6/450
D390,166	S *	2/1998	Kass et al.	D12/102
5,975,004	A *	11/1999	Neseth	114/347
6,099,014	A *	8/2000	McLaughlin	280/414.1
6,199,909	B1 *	3/2001	Kass et al.	280/789
6,293,220	B1 *	9/2001	Halsall	114/353
6,454,289	B1	9/2002	Mullins	

6,612,389	B1	9/2003	Bell	
6,629,507	B2 *	10/2003	Biddison	114/271
D486,096	S	2/2004	Messmer	
D505,361	S	5/2005	Arkebauer	
D507,208	S	7/2005	Ulch	
D515,463	S *	2/2006	Hull	D12/101
D519,908	S *	5/2006	Ward	D12/302
D521,440	S *	5/2006	Mouawad	D12/300
D522,920	S *	6/2006	Anderson	D12/101
7,121,575	B2	10/2006	Finch	
D533,829	S *	12/2006	Jacobs et al.	D12/302
D543,490	S	5/2007	Garland	
D548,667	S *	8/2007	Walton et al.	D12/302
D561,648	S *	2/2008	Shelton	D12/101
D571,707	S *	6/2008	Croci	D12/303
D580,339	S *	11/2008	McDougall	D12/300
D583,712	S *	12/2008	Voss	D12/93
D584,676	S *	1/2009	Howard et al.	D12/302
2006/0001230	A1	1/2006	Finch	
2009/0115163	A1 *	5/2009	Winter et al.	280/418.1

\* cited by examiner

*Primary Examiner*—Elizabeth A Albert

*Assistant Examiner*—Kelley A Donnelly

(74) *Attorney, Agent, or Firm*—Ryan Kromholz & Manion S.C.

(57) **CLAIM**

The ornamental design for a motorcycle trailer, as shown and described.

**DESCRIPTION**

FIG. 1 is a perspective view of a trailer of the present invention.

FIG. 2 is a right side elevation view of the trailer of FIG. 1, the left side view being a mirror image thereof.

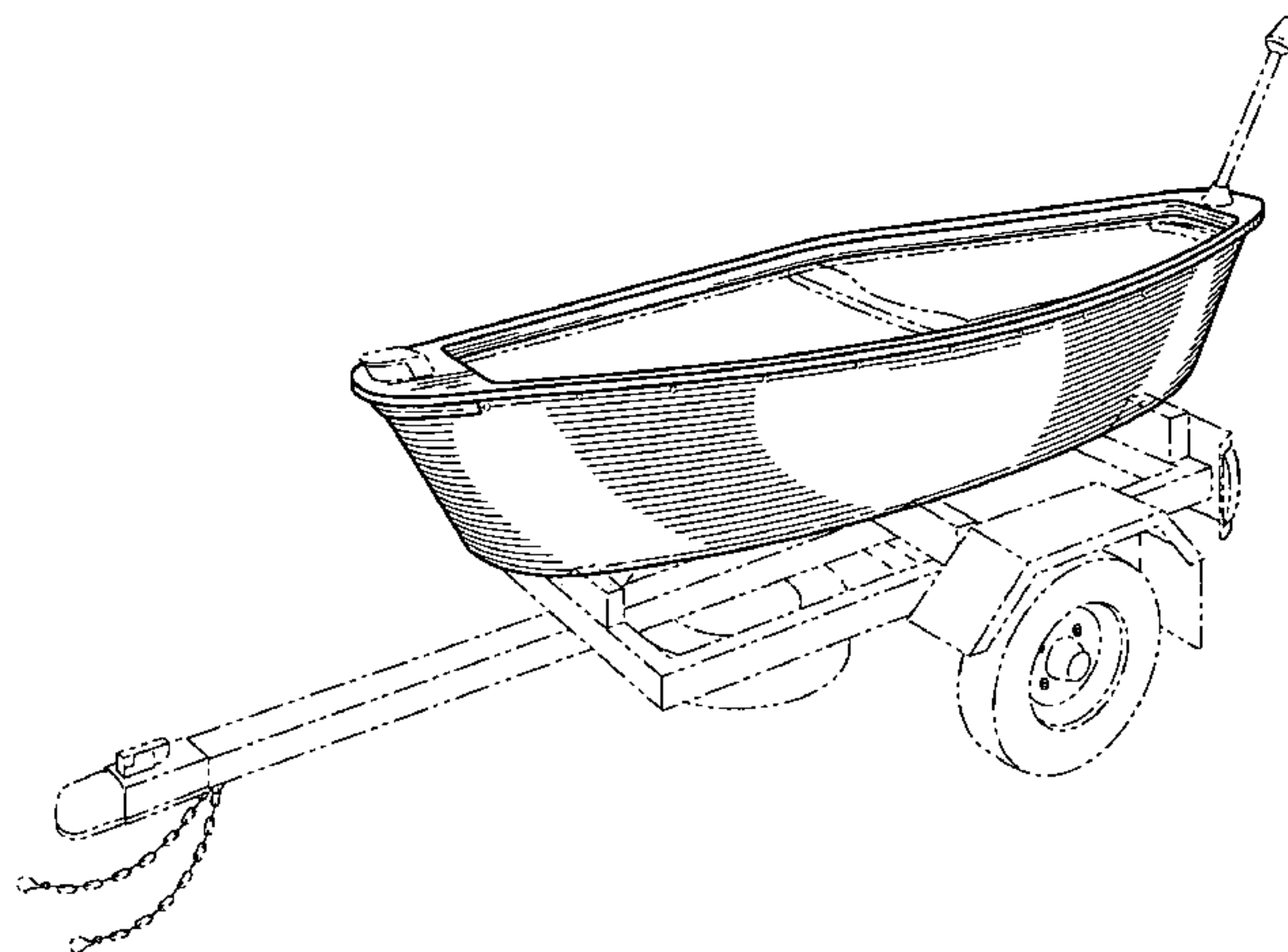
FIG. 3 is a top plan view of the trailer of FIG. 1.

FIG. 4 is a rear elevation view of the trailer of FIG. 1; and,

FIG. 5 is a front elevation view of the trailer of FIG. 1.

The broken lines of FIGS. 1–5 are for environmental purposes only and form no part of the claimed design.

**1 Claim, 2 Drawing Sheets**



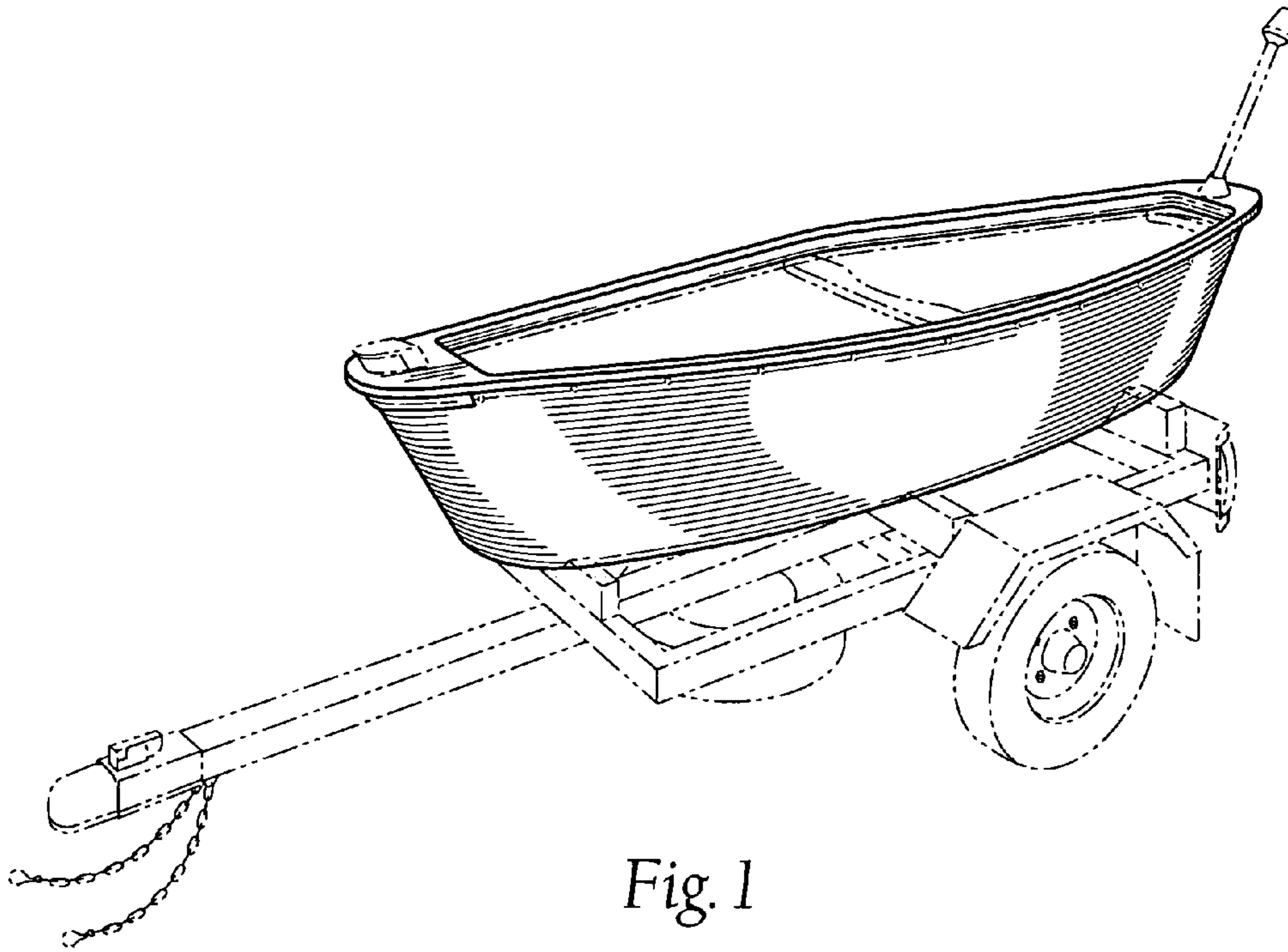


Fig. 1

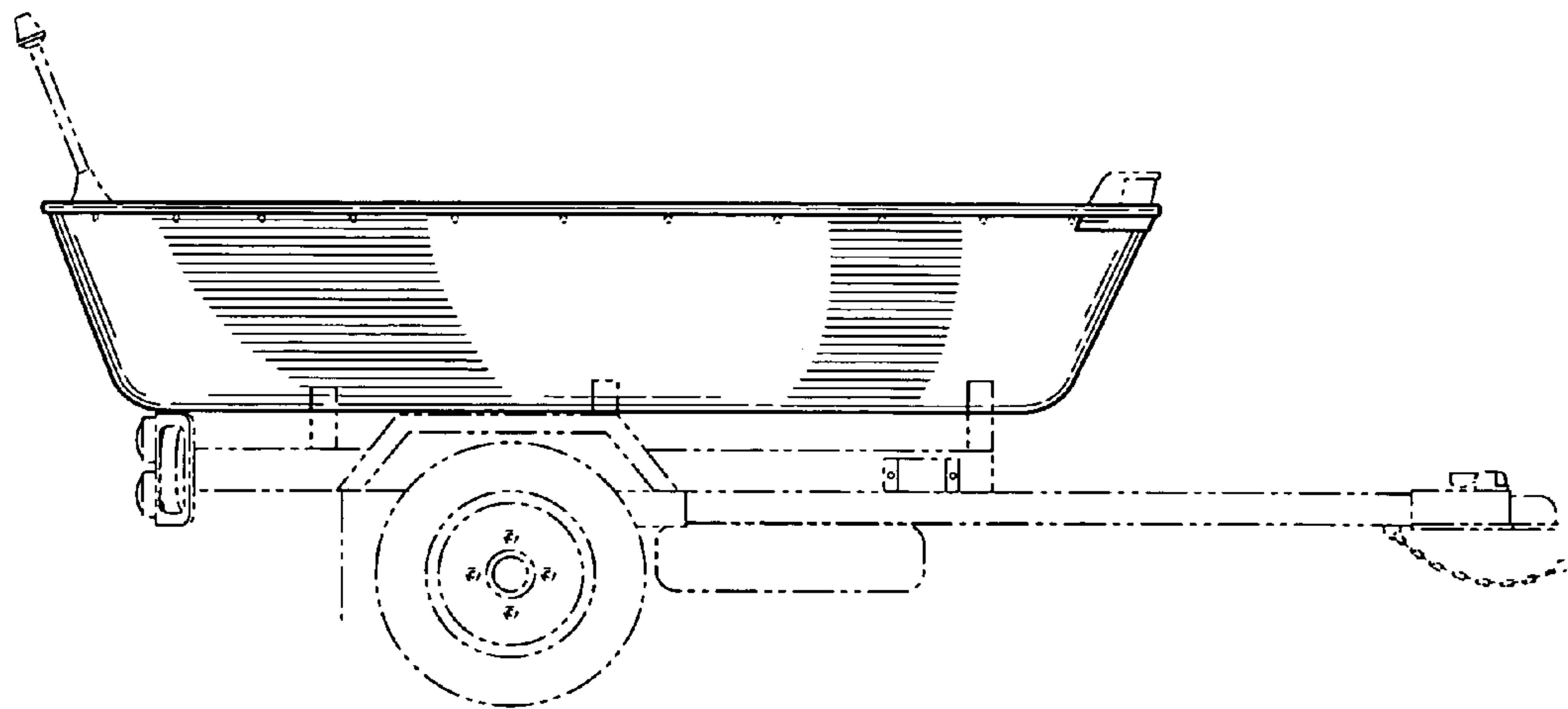


Fig. 2

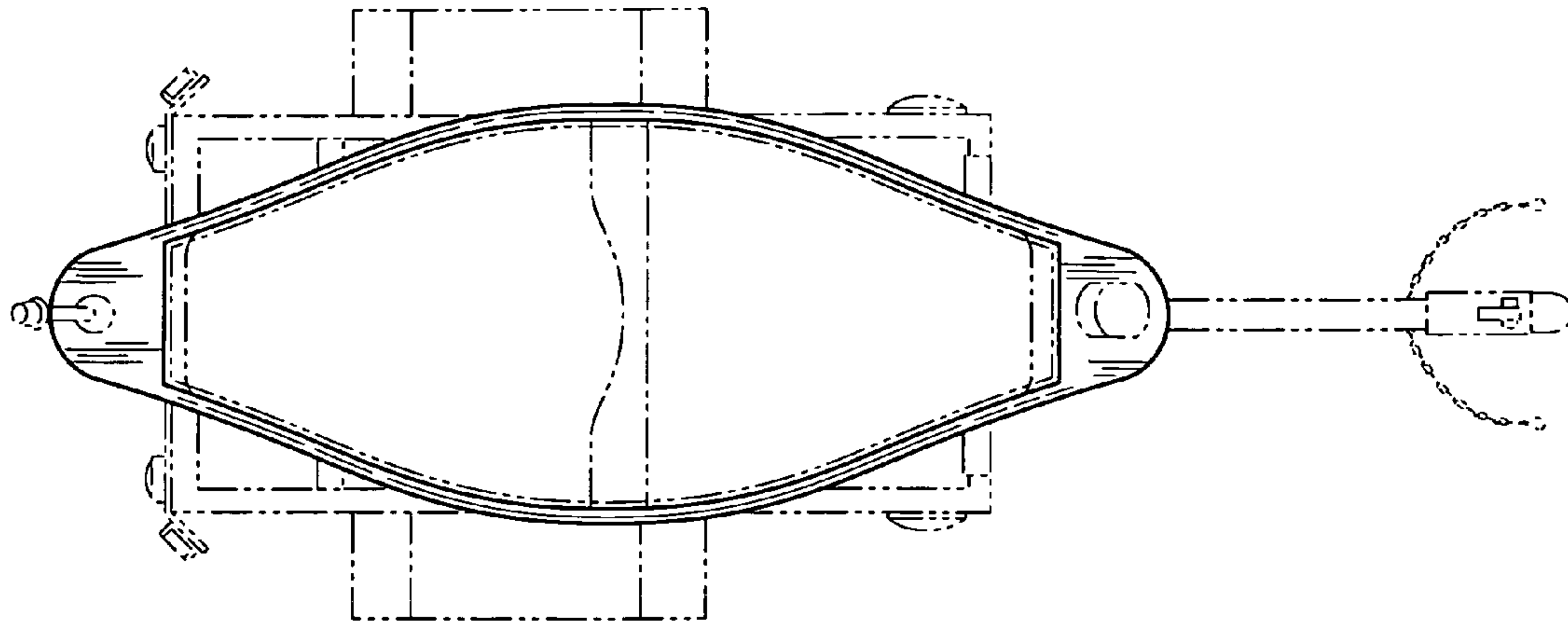


Fig. 3

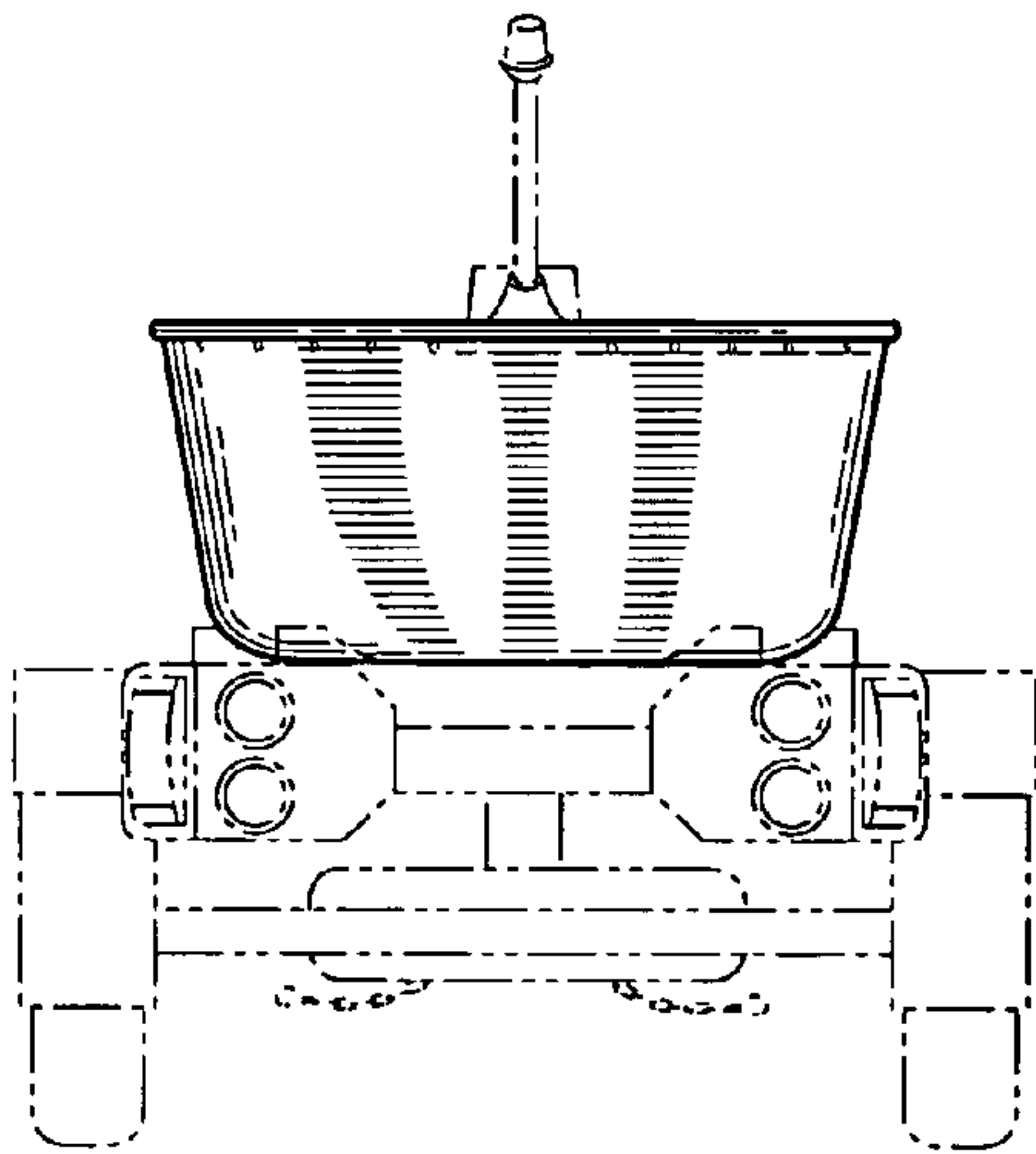


Fig. 4

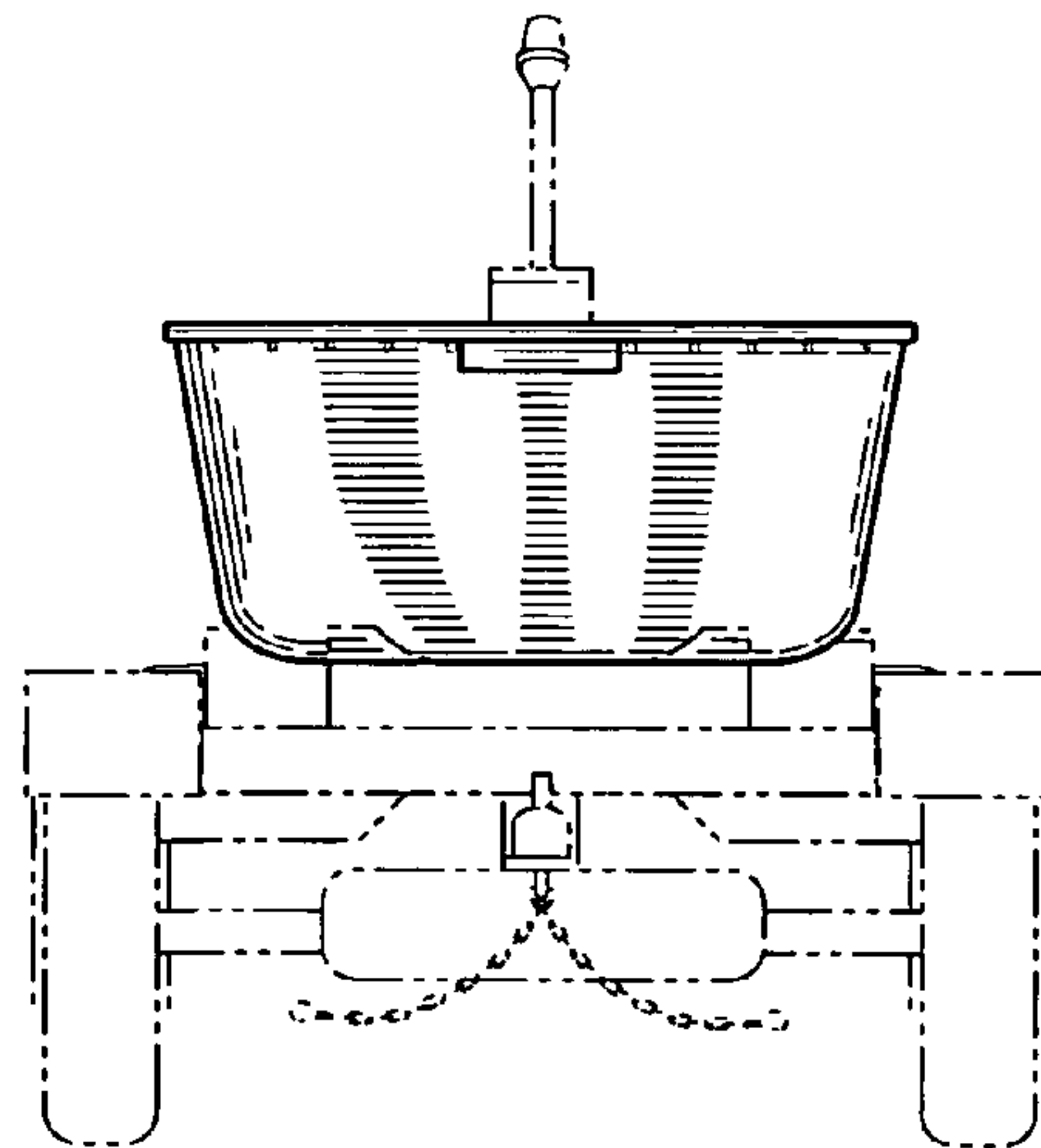


Fig. 5