



US00D598325S

(12) **United States Design Patent**  
**Kamimura et al.**

(10) **Patent No.:** **US D598,325 S**  
(45) **Date of Patent:** **\*\* Aug. 18, 2009**

(54) **AUTOMOBILE AND/OR REPLICA THEREOF**

JP D2007-022616 8/2007  
JP D2007-022618 8/2007

(75) Inventors: **Tadahiro Kamimura**, Saitama (JP);  
**Tsutomu Fujita**, Saitama (JP)

(73) Assignee: **Honda Motor Co., Ltd.**, Tokyo (JP)

(\*\*) Term: **14 Years**

(21) Appl. No.: **29/300,091**

(22) Filed: **Feb. 20, 2008**

(30) **Foreign Application Priority Data**

Aug. 22, 2007 (JP) ..... 2007-022617

(51) **LOC (9) Cl.** ..... **12-08**

(52) **U.S. Cl.** ..... **D12/91**

(58) **Field of Classification Search** ..... D12/86,  
D12/90-92; 296/181.1, 181.5  
See application file for complete search history.

(56) **References Cited**

**U.S. PATENT DOCUMENTS**

D538,710 S \* 3/2007 Hsu ..... D12/91  
D538,711 S \* 3/2007 Sawai et al. .... D12/91  
D565,465 S \* 4/2008 Iida et al. .... D12/91  
D578,437 S \* 10/2008 Nishihata et al. .... D12/91

**FOREIGN PATENT DOCUMENTS**

JP D2007-022615 8/2007

\* cited by examiner

*Primary Examiner*—Melody N Brown

(74) *Attorney, Agent, or Firm*—Westerman, Hattori, Daniels & Adrian, LLP.

(57) **CLAIM**

The ornamental design for, an automobile and/or replica thereof, as shown and described.

**DESCRIPTION**

FIG. 1 is a front perspective view of an automobile and/or replica thereof, showing our new design;

FIG. 2 is a rear perspective view thereof;

FIG. 3 is a front elevation view thereof;

FIG. 4 is a rear elevation view thereof;

FIG. 5 is a top plan view thereof; and,

FIG. 6 is a right side elevation view thereof.

The left side elevation view is a mirror image of the right side elevation view. The broken lines are for illustrative purposes only and form no part of the claimed design.

**1 Claim, 6 Drawing Sheets**

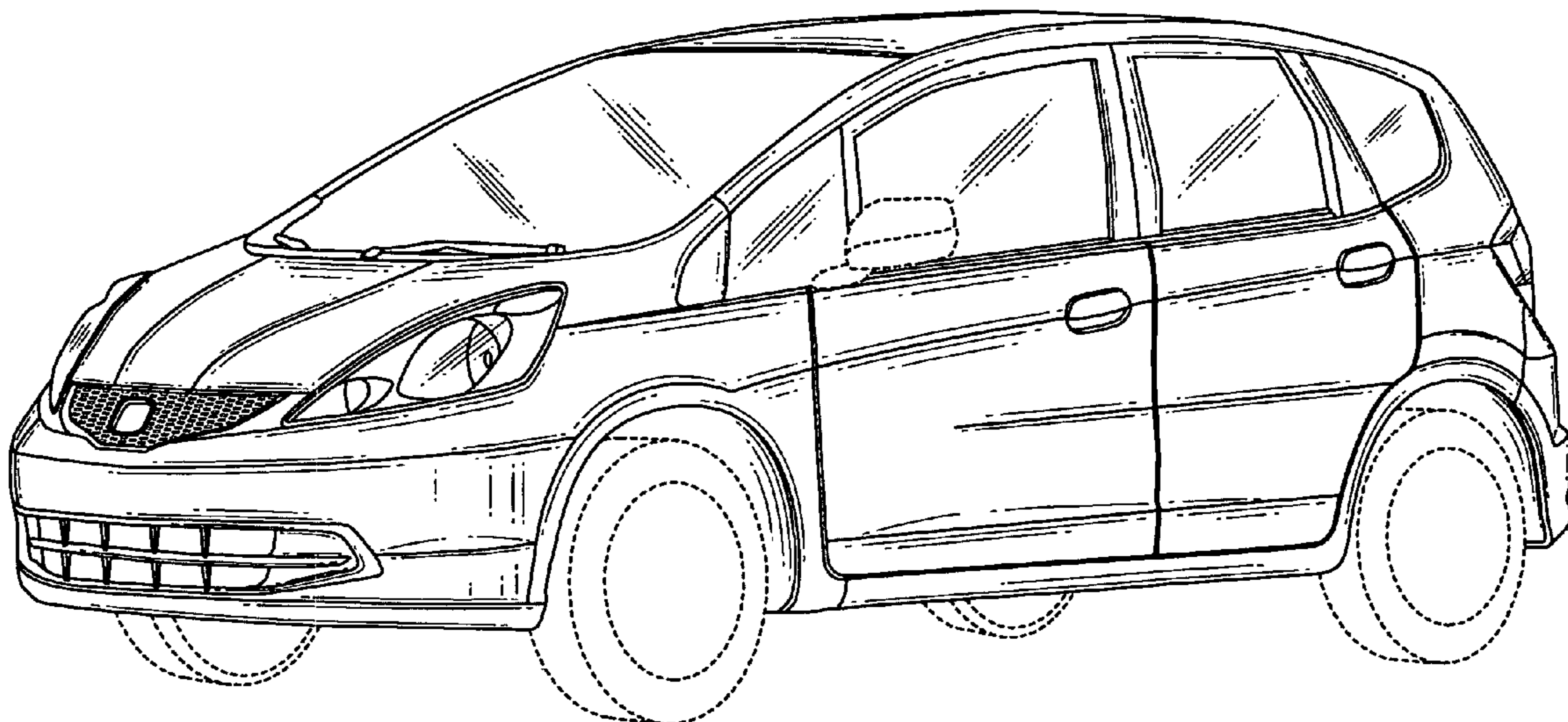


Fig.1

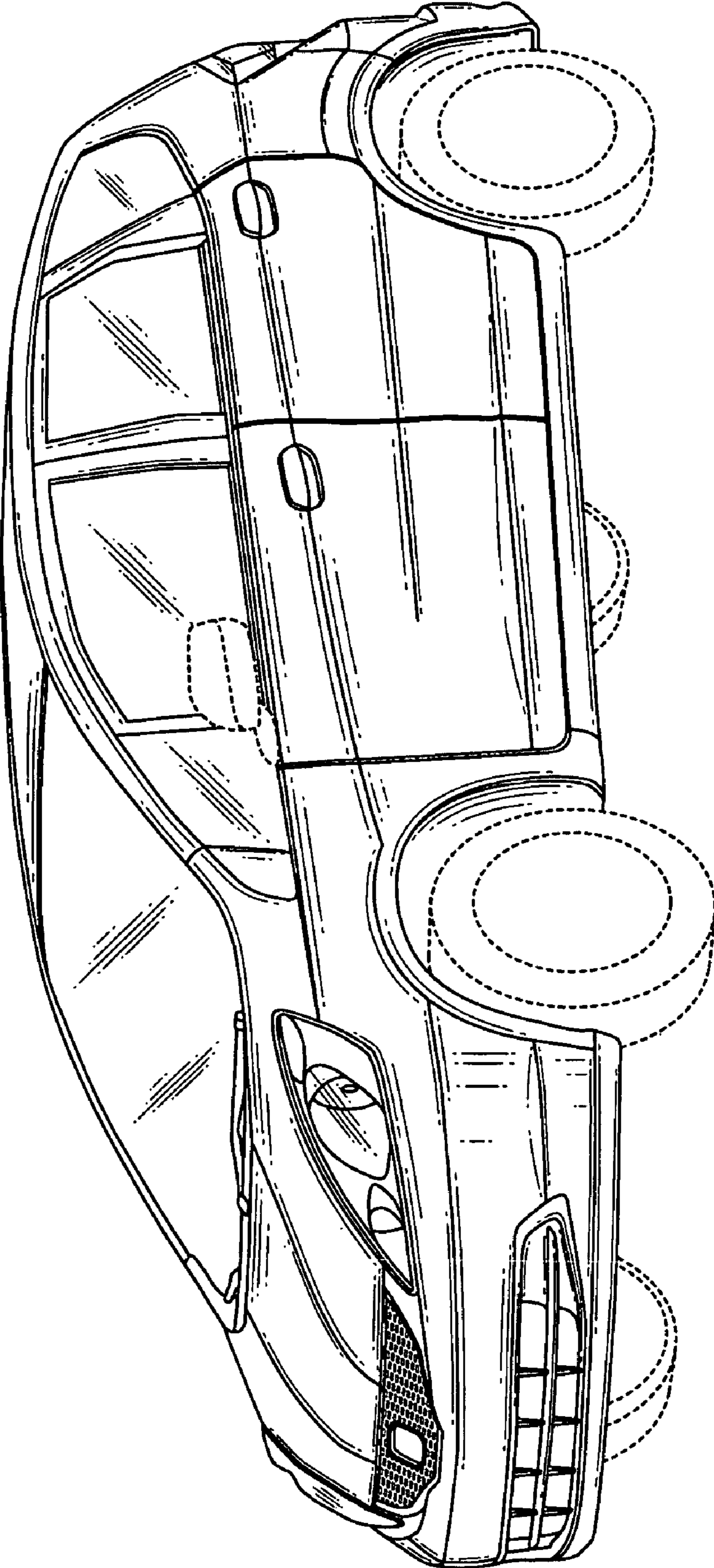


Fig.2

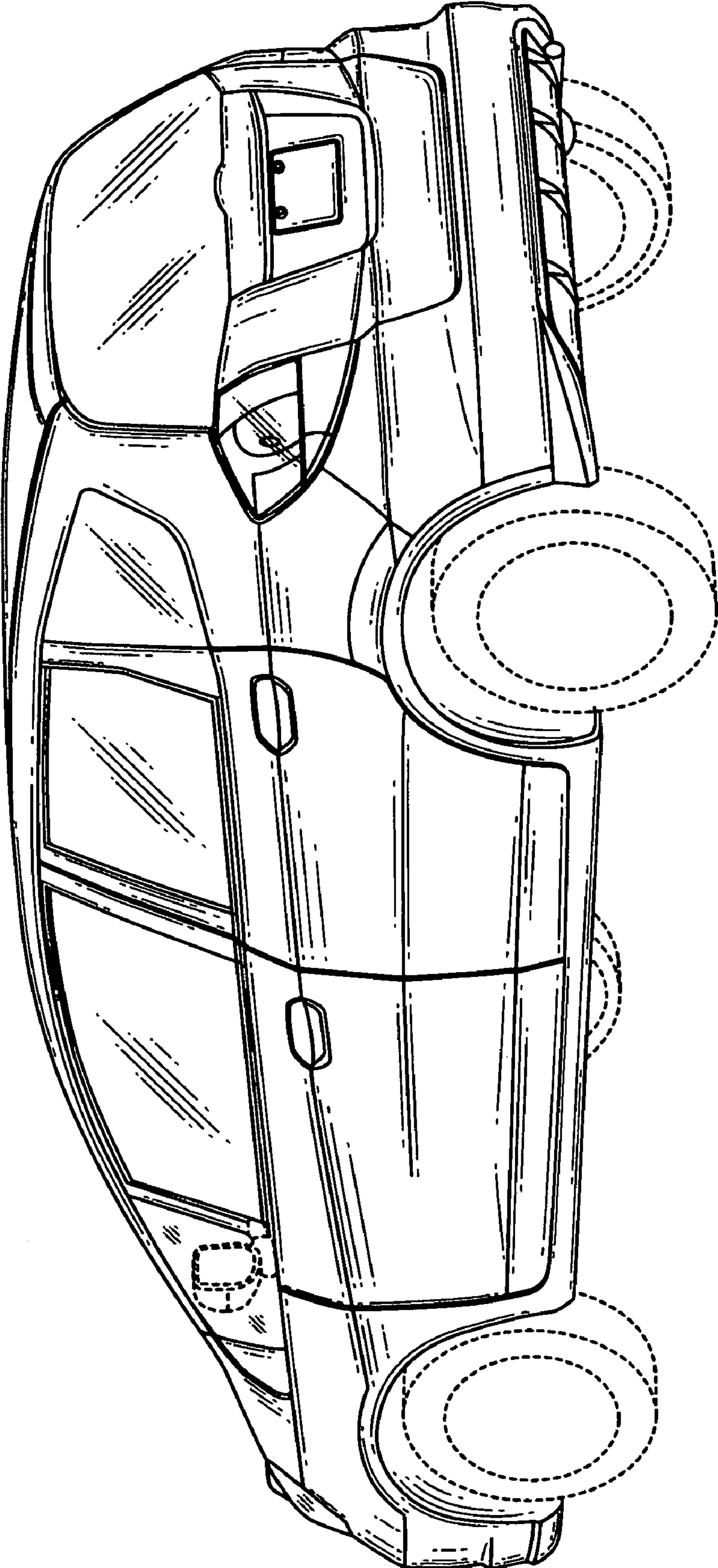




Fig.3

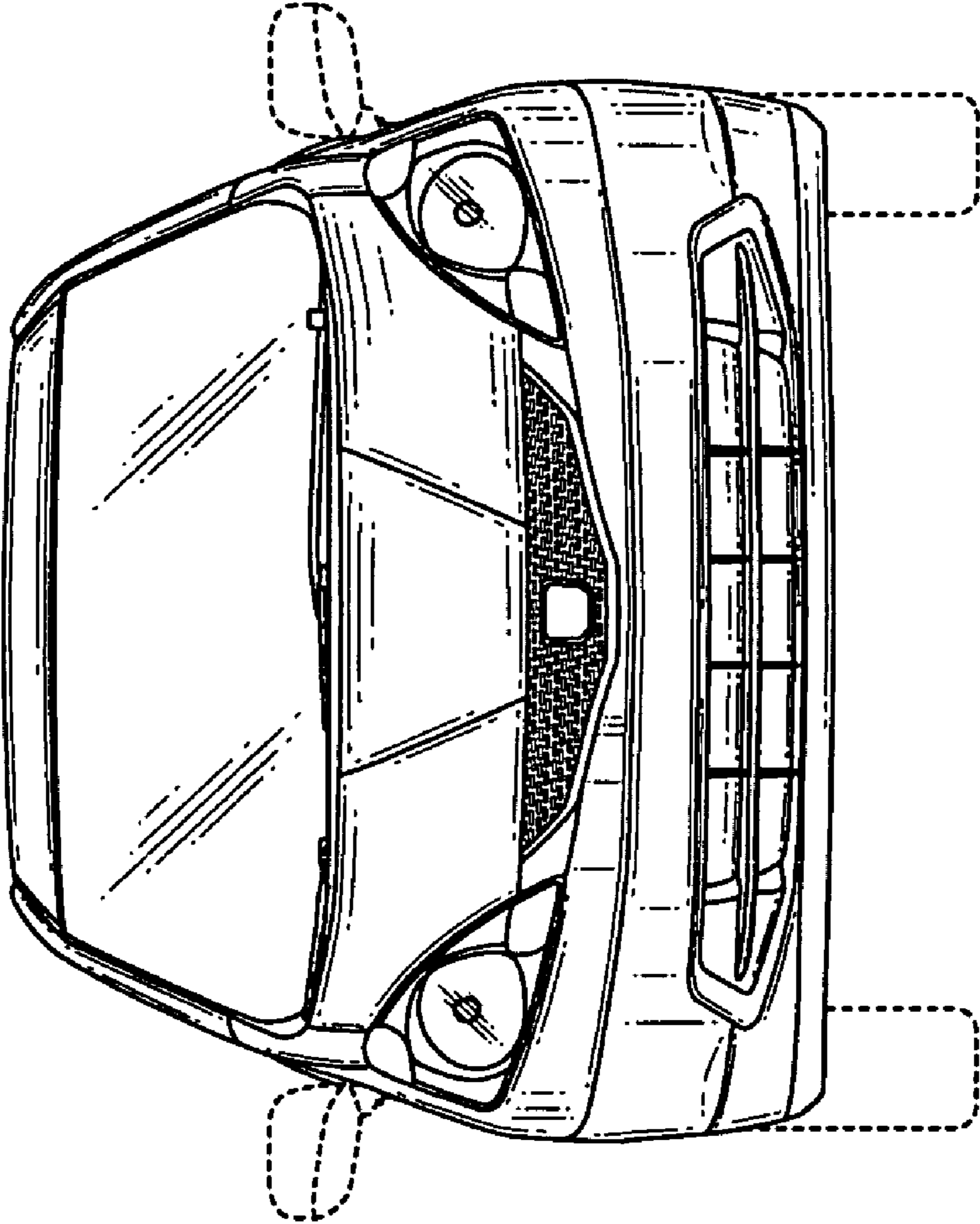


Fig.4

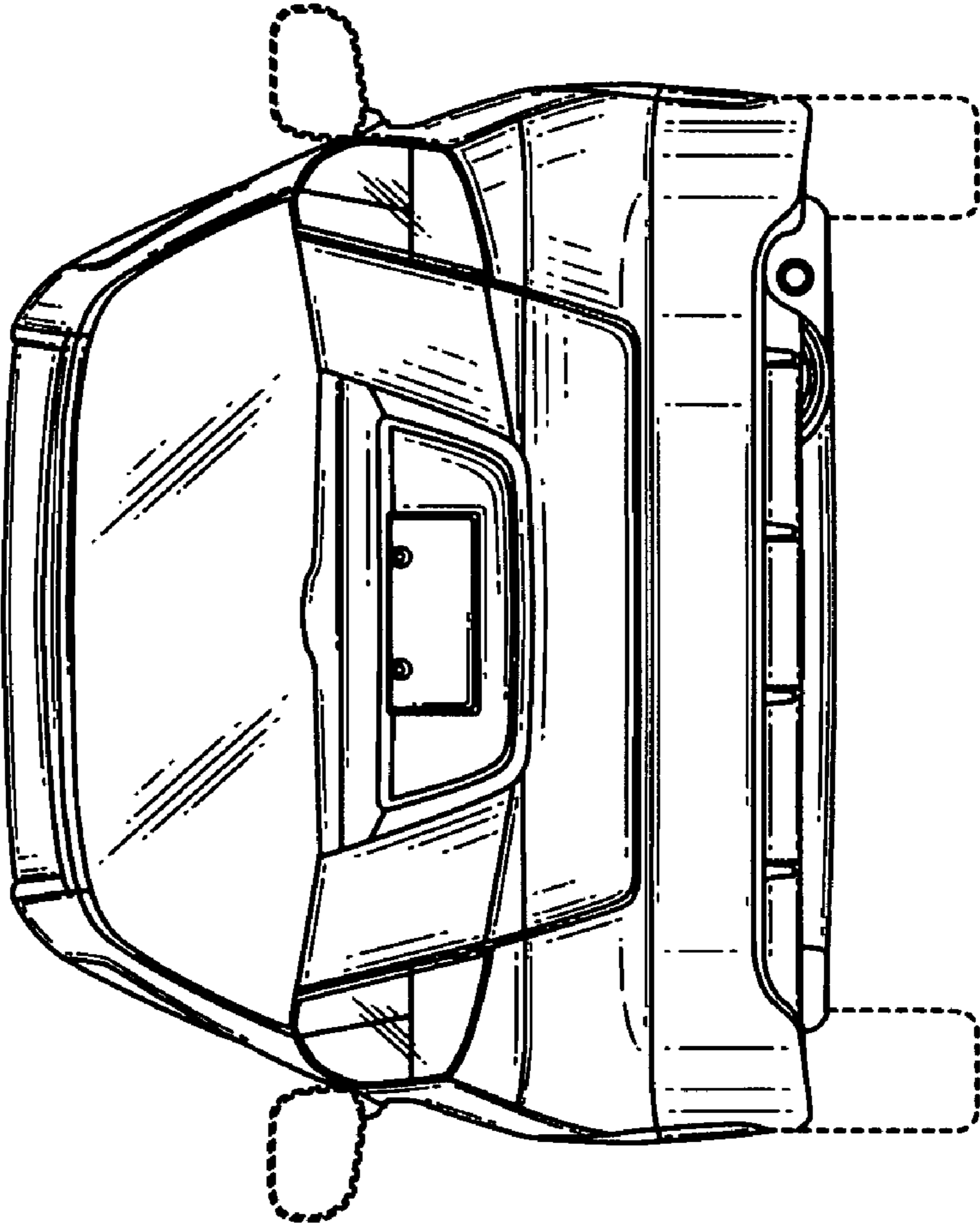


Fig.5

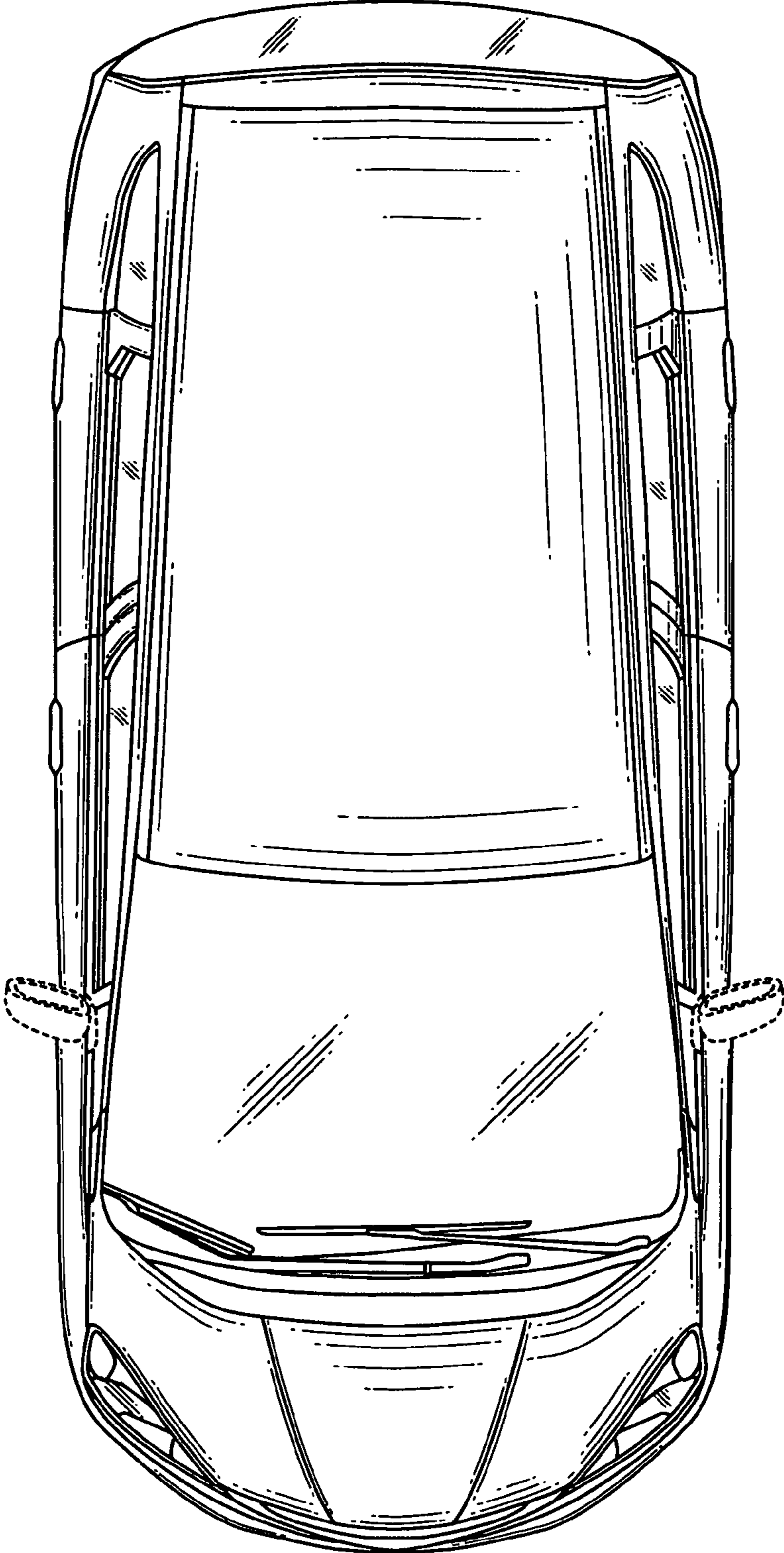


Fig.6

