



US00D598324S

(12) **United States Design Patent**
Kosh et al.

(10) **Patent No.:** **US D598,324 S**

(45) **Date of Patent:** **** Aug. 18, 2009**

(54) **BUCKLE FRAME**

(75) Inventors: **Matthew Kosh**, Seattle, WA (US); **John Tilden**, Seattle, WA (US)

(73) Assignee: **Bodypoint, Inc.**, Seattle, WA (US)

(**) Term: **14 Years**

(21) Appl. No.: **29/323,230**

(22) Filed: **Aug. 21, 2008**

(51) **LOC (9) Cl.** **02-07**

(52) **U.S. Cl.** **D11/216**

(58) **Field of Classification Search** D11/1-2,
D11/200-201, 206-210, 214-218; 24/163 R,
24/169-171, 173, 177-179, 191, 194-195,
24/197, 200

See application file for complete search history.

(56) **References Cited**

U.S. PATENT DOCUMENTS

| | | | | | |
|-----------|-----|---------|----------------|-------|---------|
| 3,084,411 | A * | 4/1963 | Lindblad | | 24/193 |
| 3,137,907 | A * | 6/1964 | Unai | | 24/646 |
| D200,772 | S * | 4/1965 | Dahms | | D11/216 |
| D215,195 | S * | 9/1969 | Krengel et al. | | D11/216 |
| D355,833 | S * | 2/1995 | Seaquist | | D8/374 |
| D364,085 | S * | 11/1995 | Beckman et al. | | D8/375 |

* cited by examiner

Primary Examiner—R. Seifert

(74) *Attorney, Agent, or Firm*—Townsend and Townsend and Crew LLP

(57) **CLAIM**

The ornamental design for buckle frame, as shown and described.

DESCRIPTION

FIG. 1 is a perspective view of a first embodiment of a buckle frame showing our new design;

FIG. 2 is a front elevational view;

FIG. 3 is a rear elevational view thereof;

FIG. 4 is a right side elevational view thereof;

FIG. 5 is a left side elevational view thereof;

FIG. 6 is a top plan view thereof;

FIG. 7 is a bottom plan view thereof.

FIG. 8 is a perspective view of a second embodiment of a buckle frame showing our new design;

FIG. 9 is a front elevational view of FIG. 8;

FIG. 10 is a rear elevational view of FIG. 8;

FIG. 11 is a right side elevational view of FIG. 8;

FIG. 12 is a left side elevational view of FIG. 8;

FIG. 13 is a top plan view of FIG. 8; and,

FIG. 14 is a bottom plan view of FIG. 8.

The broken line showing is for illustrative purposes only and forms no part of the claimed design.

1 Claim, 4 Drawing Sheets

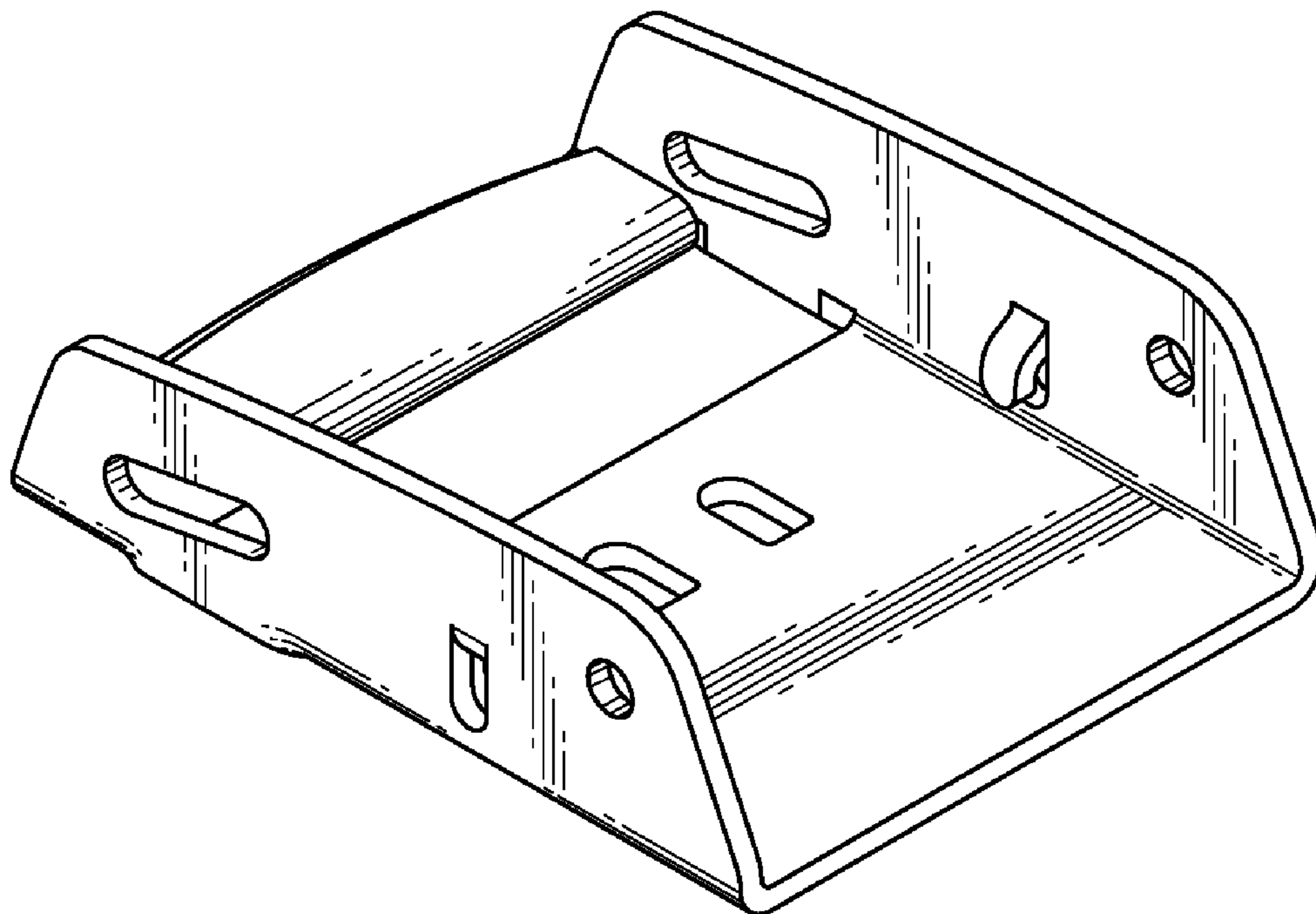


FIG. 1

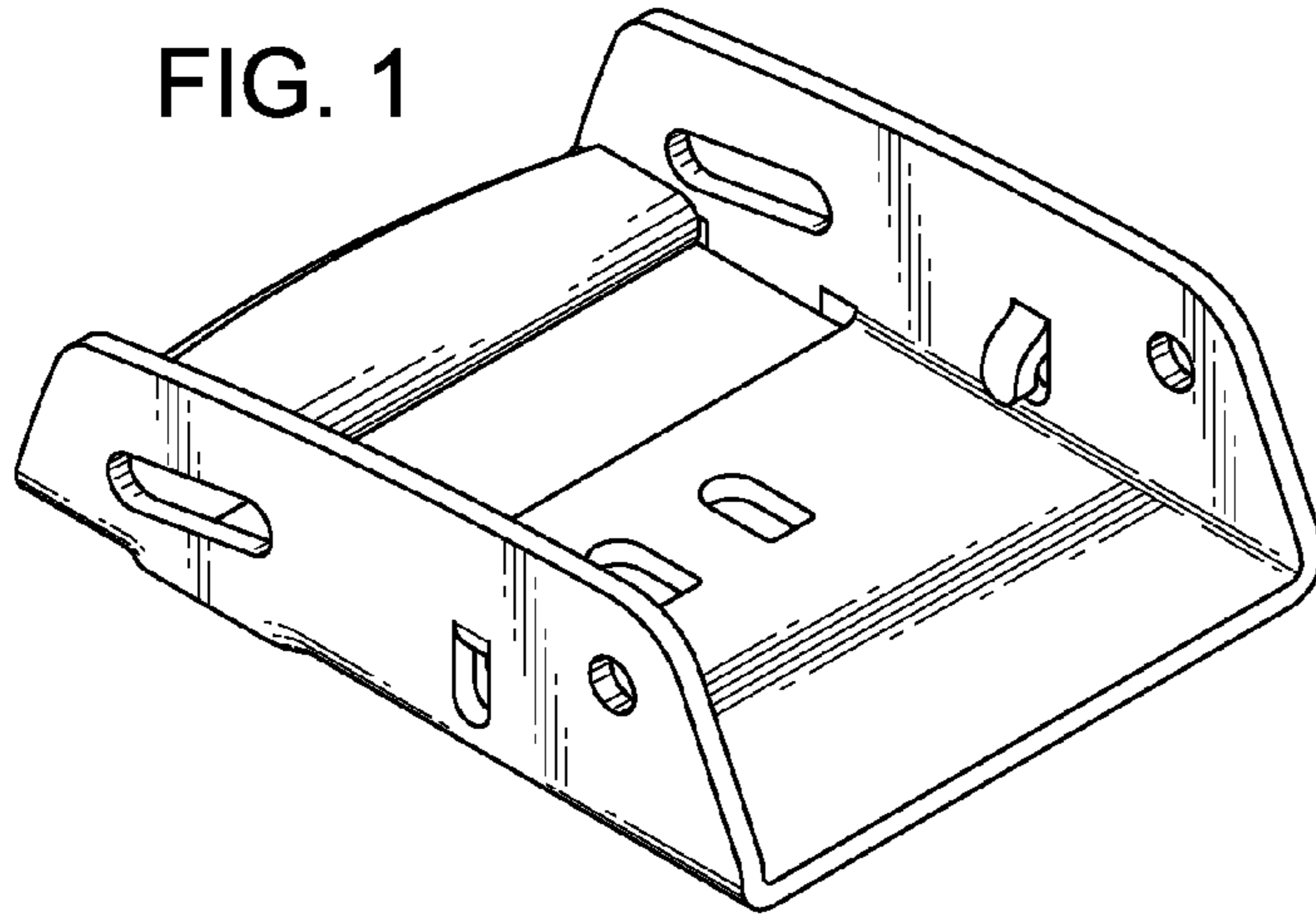


FIG. 2

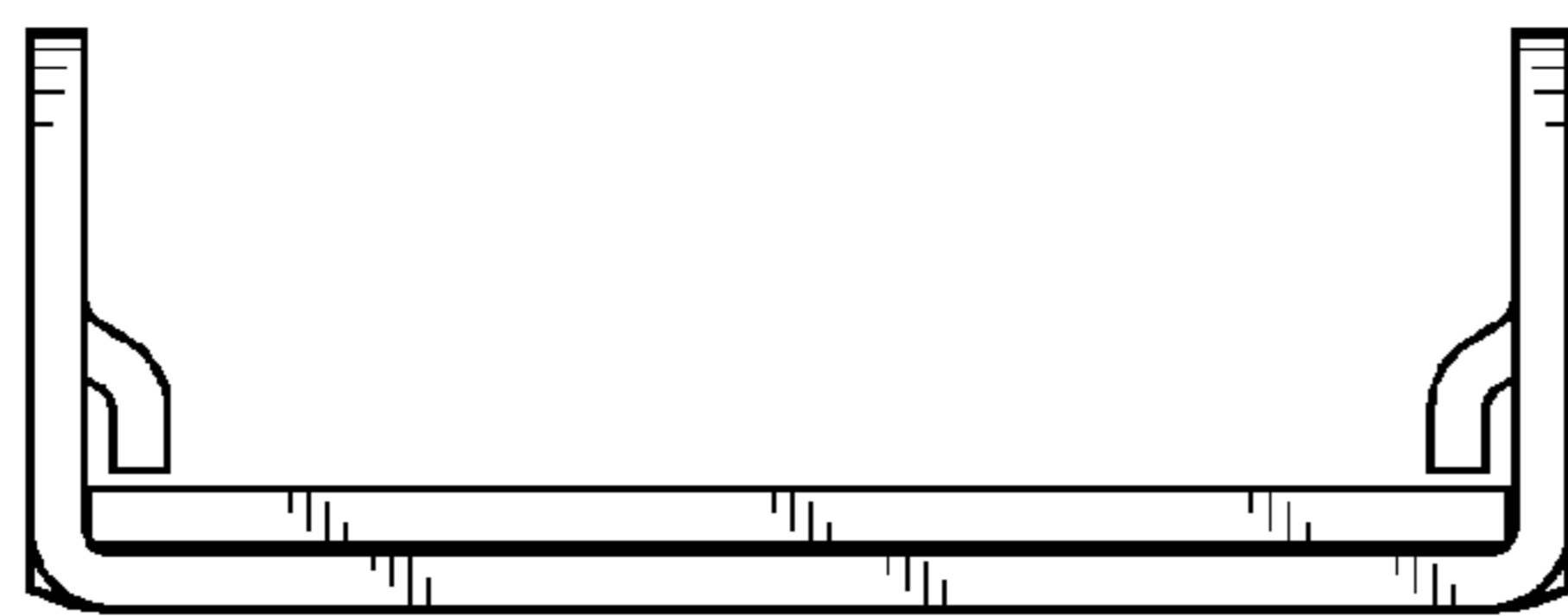


FIG. 3



FIG. 4

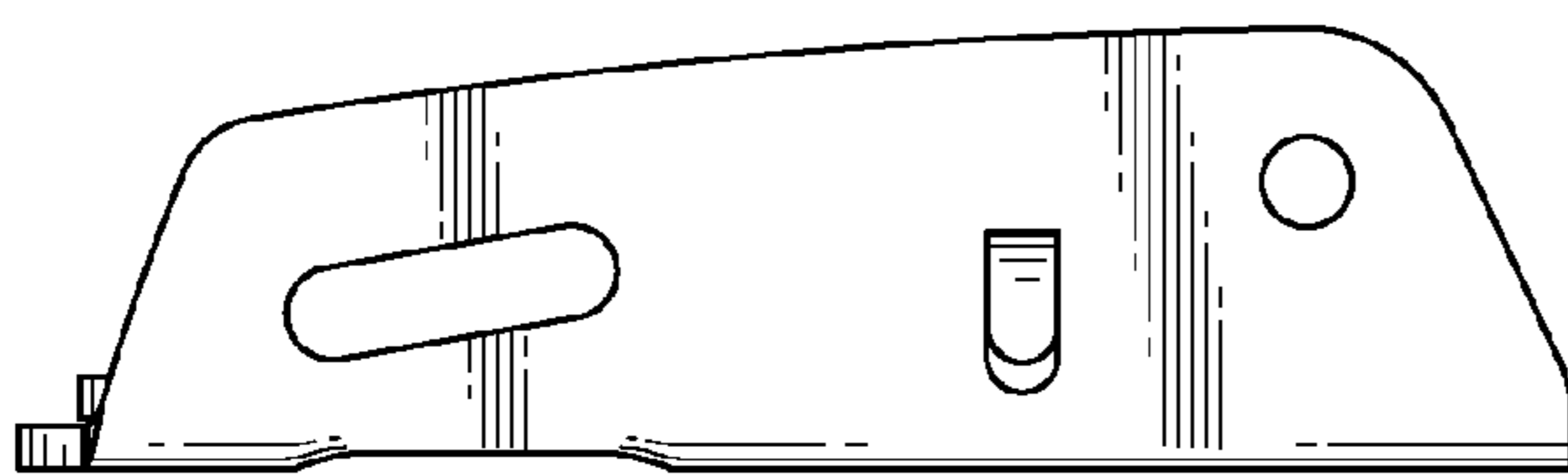


FIG. 5

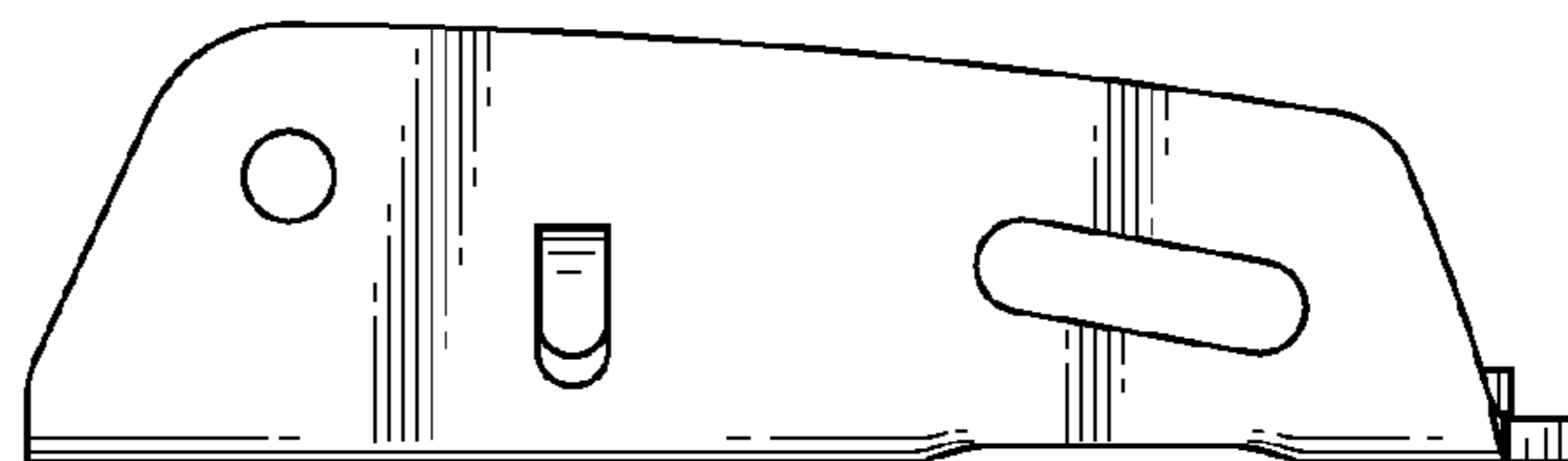


FIG. 6

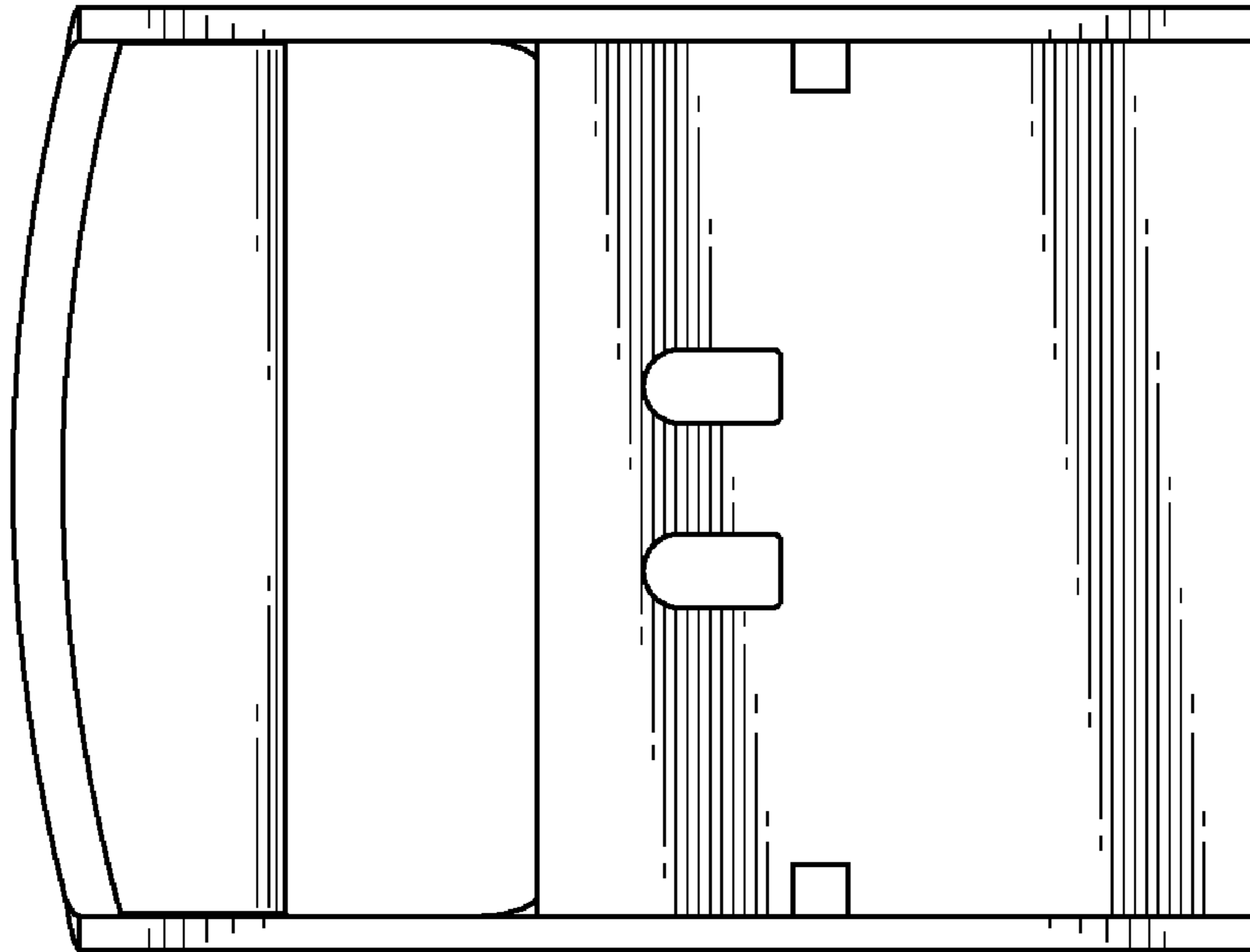


FIG. 7

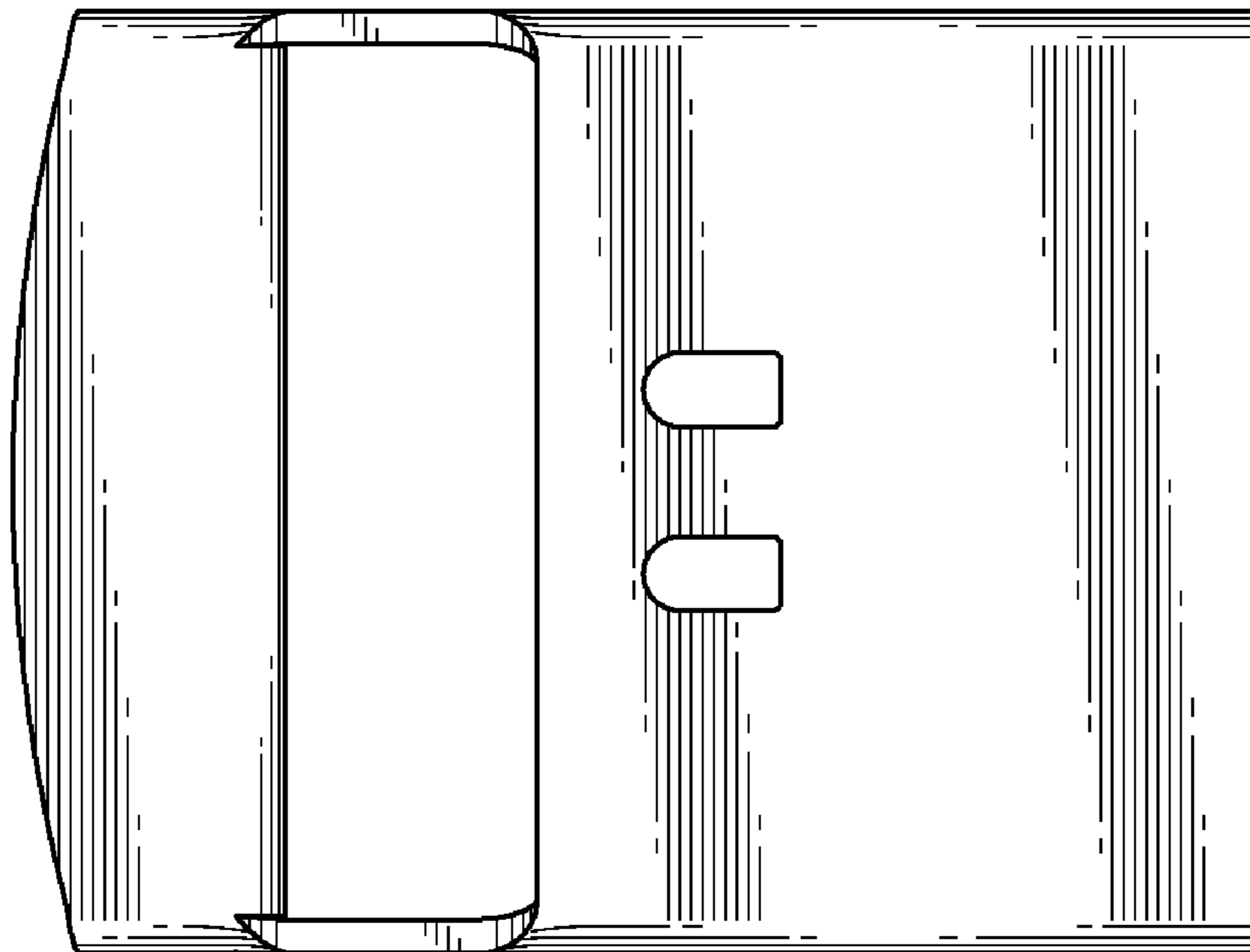


FIG. 8

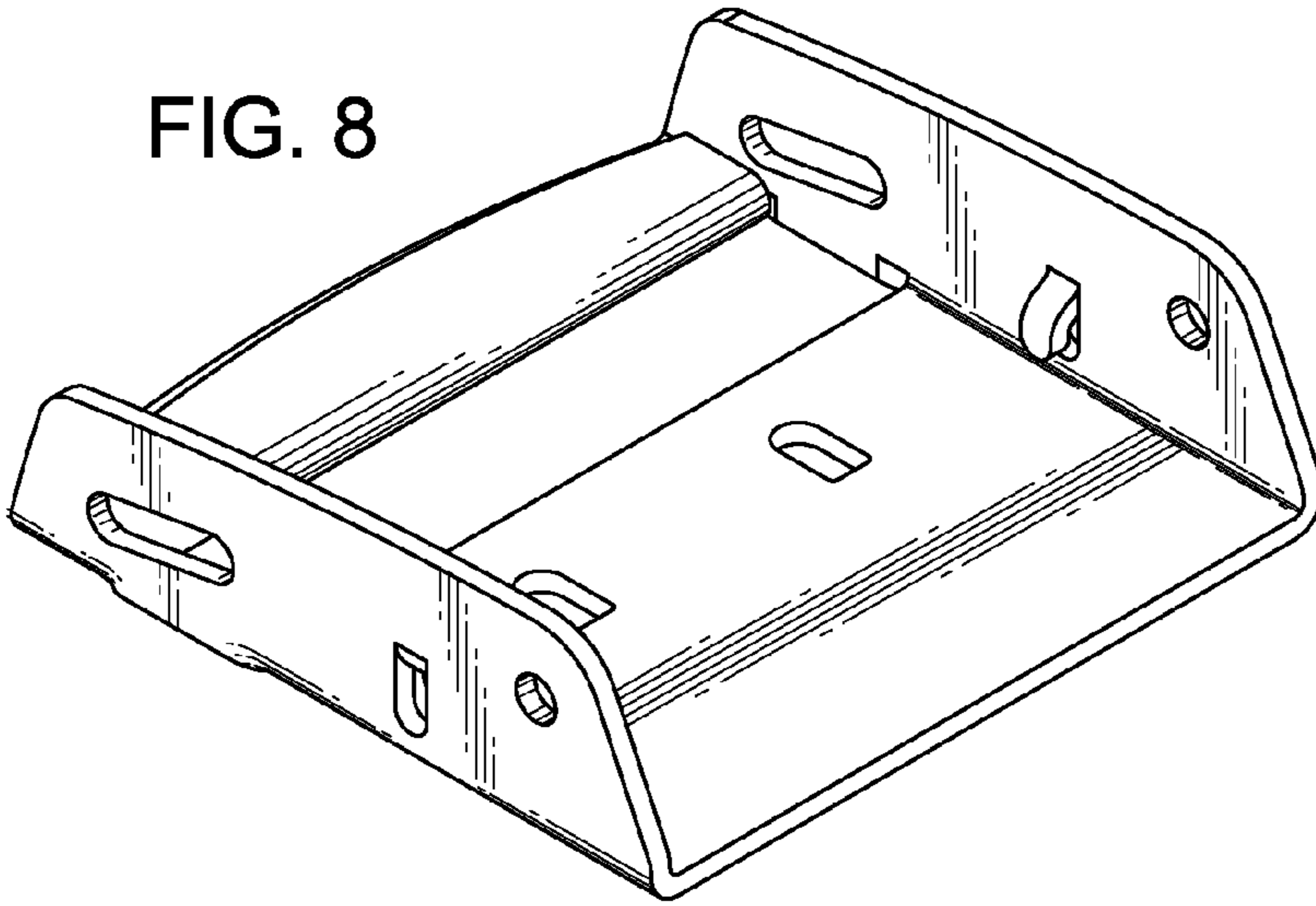


FIG. 9



FIG. 10

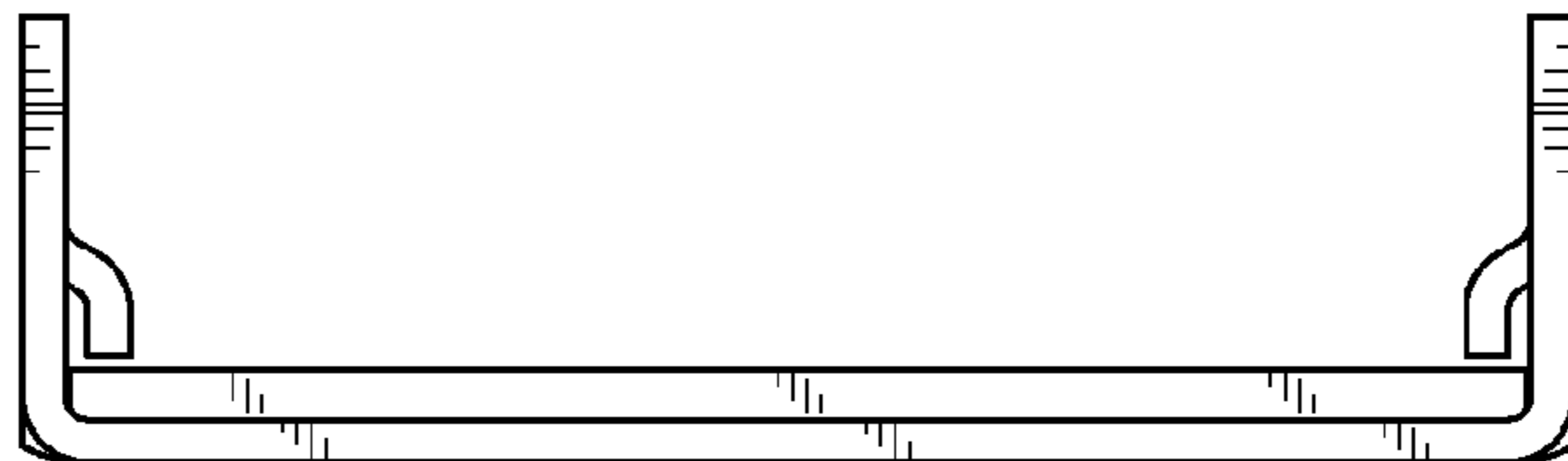


FIG. 11

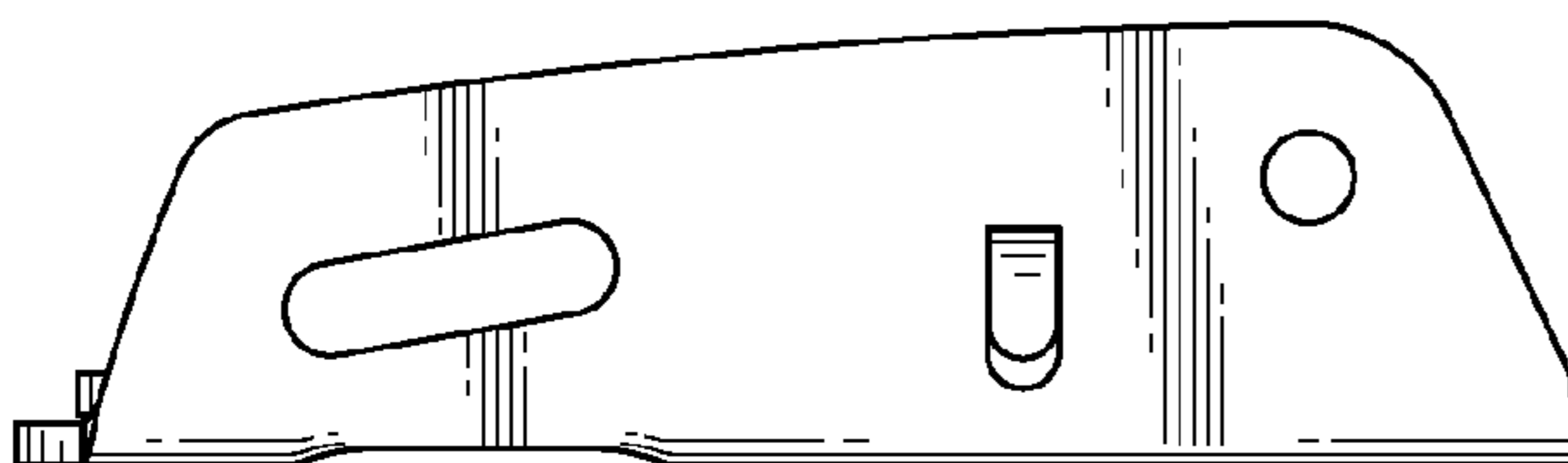


FIG. 12

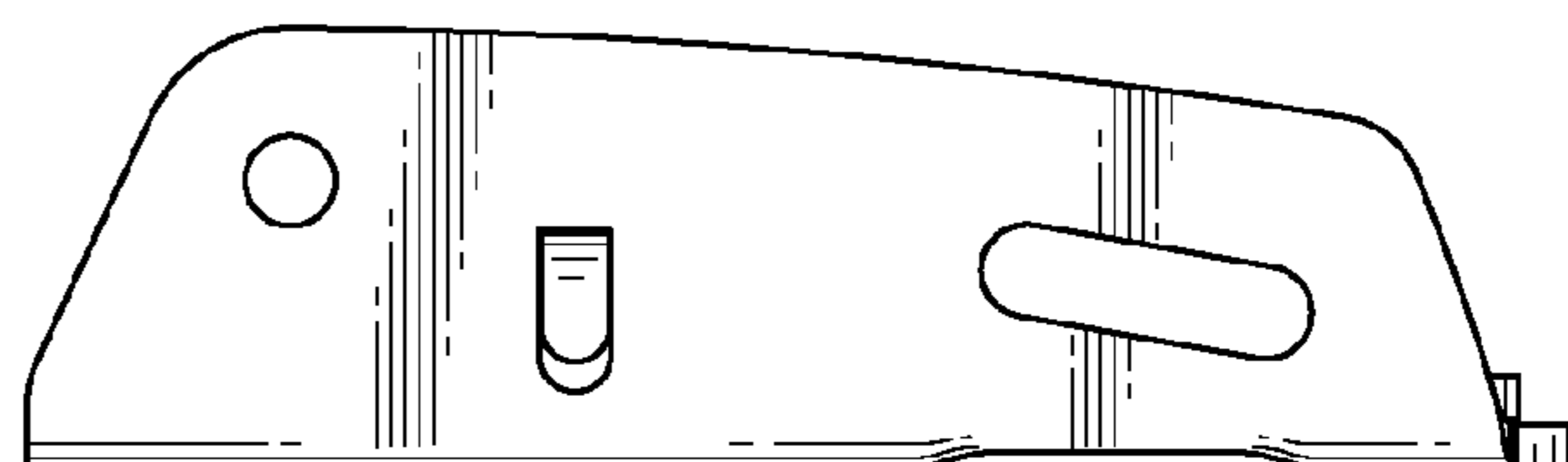


FIG. 13

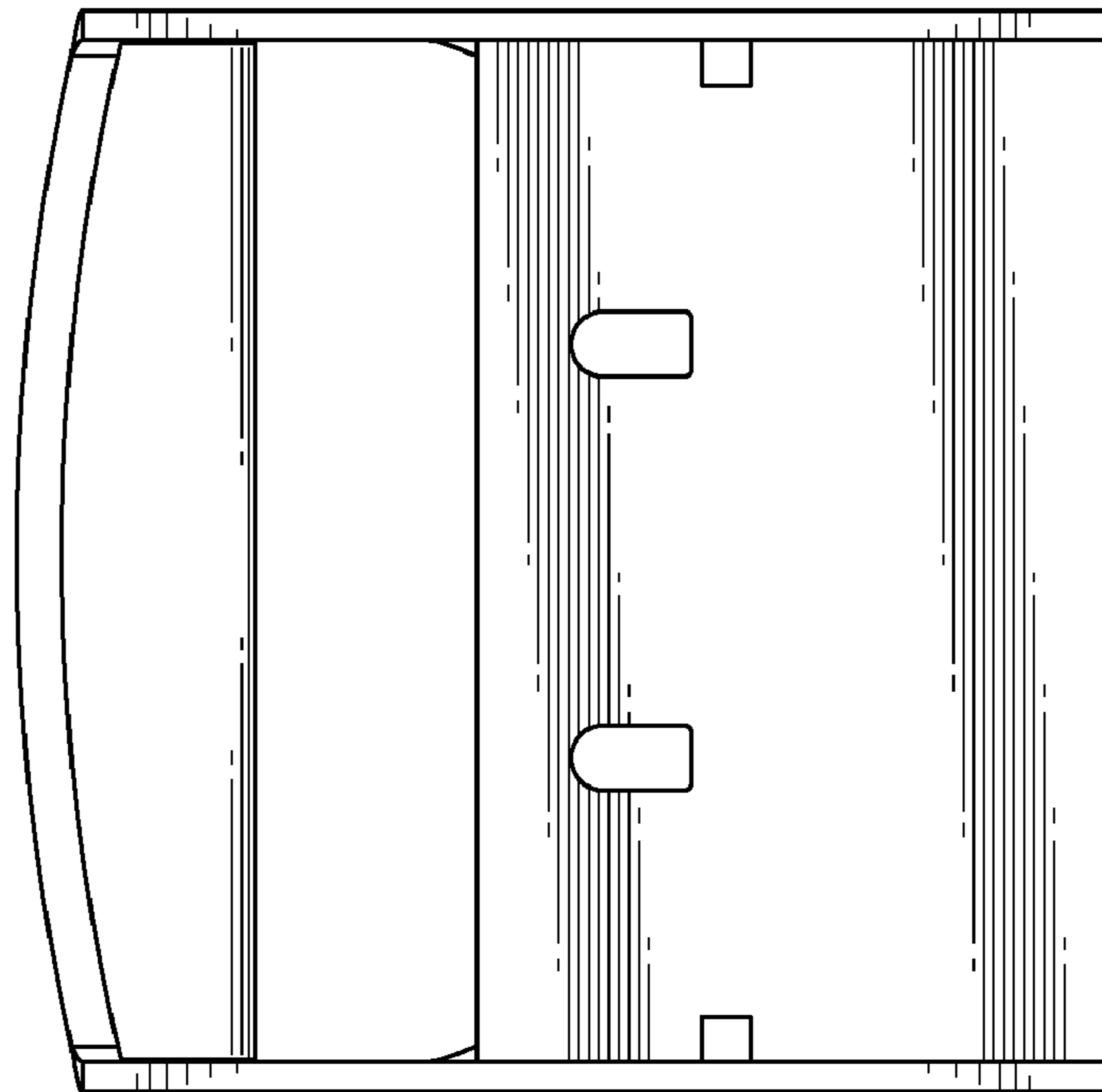


FIG. 14

