



US00D598323S

(12) **United States Design Patent**
Bradley et al.

(10) **Patent No.:** **US D598,323 S**

(45) **Date of Patent:** **** Aug. 18, 2009**

(54) **PLANT CONTAINER**

(75) Inventors: **Treg Bradley**, Phoenix, AZ (US);
Karim Rashid, New York, NY (US)

(73) Assignee: **Grobal, LLC**, Chandler, AZ (US)

(**) Term: **14 Years**

(21) Appl. No.: **29/330,186**

(22) Filed: **Dec. 30, 2008**

Related U.S. Application Data

(62) Division of application No. 29/321,739, filed on Jul. 22, 2008, now Pat. No. Des. 586,255, which is a division of application No. 29/278,391, filed on Mar. 28, 2007, now Pat. No. Des. 575,668.

(51) **LOC (9) Cl.** **11-02**

(52) **U.S. Cl.** **D11/152**

(58) **Field of Classification Search** D6/403-405,
D6/556; D11/143-156; D19/77, 81, 84;
D25/100; D26/9, 16, 19; D34/1-11; D99/5,
D99/19; 47/32.7, 33, 39, 41.01, 41.1, 41.11-41.15,
47/44-47, 65.5, 65.9, 66.1, 66.2, 66.6, 66.7,
47/67-71

See application file for complete search history.

(56) **References Cited**

U.S. PATENT DOCUMENTS

D119,982 S * 4/1940 Munz D11/145

D246,202 S * 10/1977 Oppermann D11/145
D256,110 S * 7/1980 Dunbar et al. D11/153
D268,444 S * 3/1983 Young D11/145
D299,445 S * 1/1989 Lee D11/153
D390,499 S * 2/1998 Durham et al. D11/152
D531,930 S * 11/2006 Cabre Roige D11/152
D537,753 S * 3/2007 Belokin D11/145
D543,244 S * 5/2007 Tsuruha D19/73
D575,668 S * 8/2008 Rashid et al. D11/152
D586,255 S * 2/2009 Rashid et al. D11/152

* cited by examiner

Primary Examiner—Caron Veynar

Assistant Examiner—Garth Rademaker

(74) *Attorney, Agent, or Firm*—Snell & Wilmer L.L.P.

(57) **CLAIM**

The ornamental design for a plant container, as shown and described.

DESCRIPTION

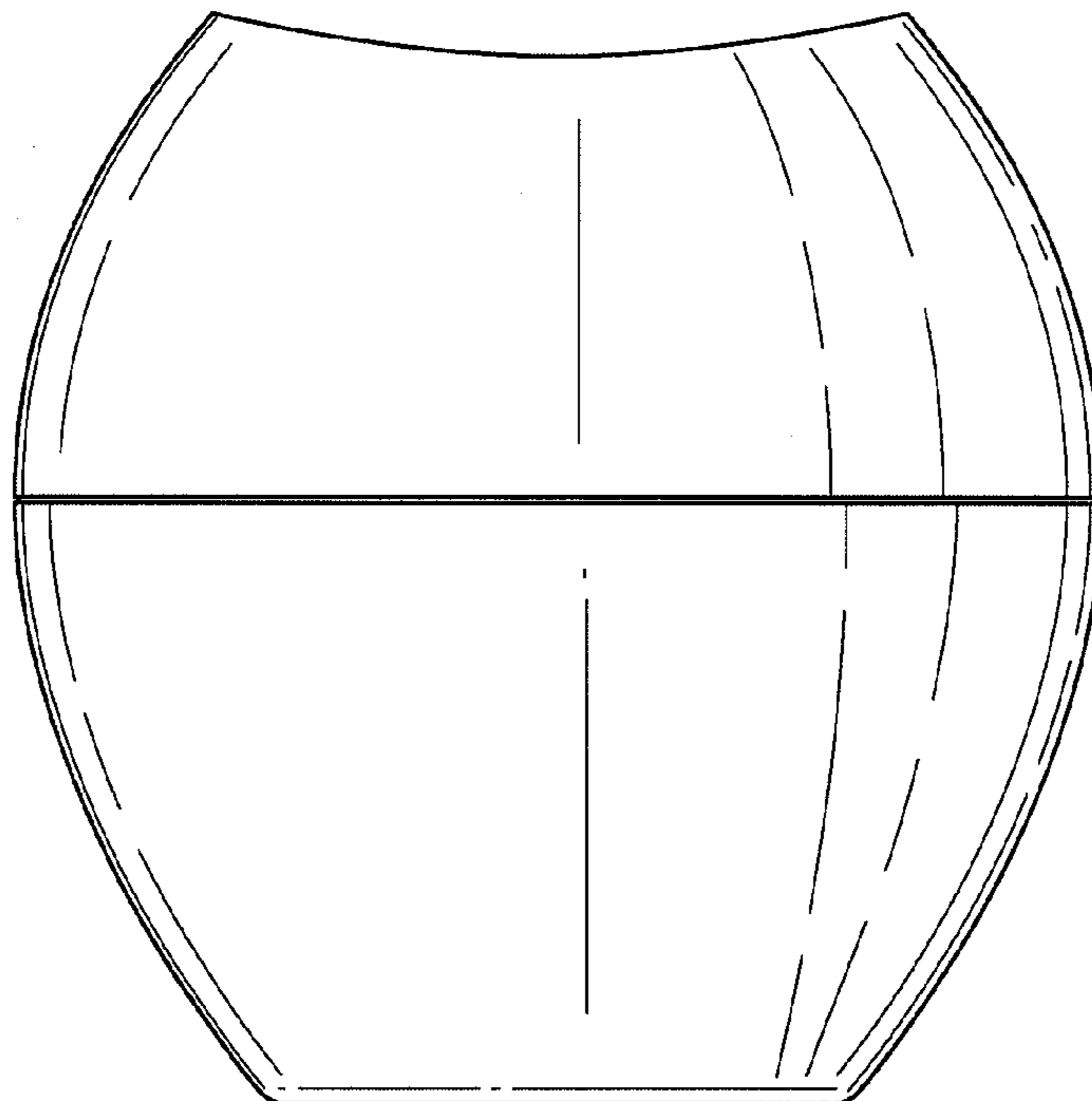
FIG. 1 is a rear elevation view of a plant container showing our new design;

FIG. 2 is a front elevation view thereof; and,

FIG. 3 is a top plan view thereof.

The broken lines depict environmental subject matter only and form no part of the claimed design.

1 Claim, 3 Drawing Sheets



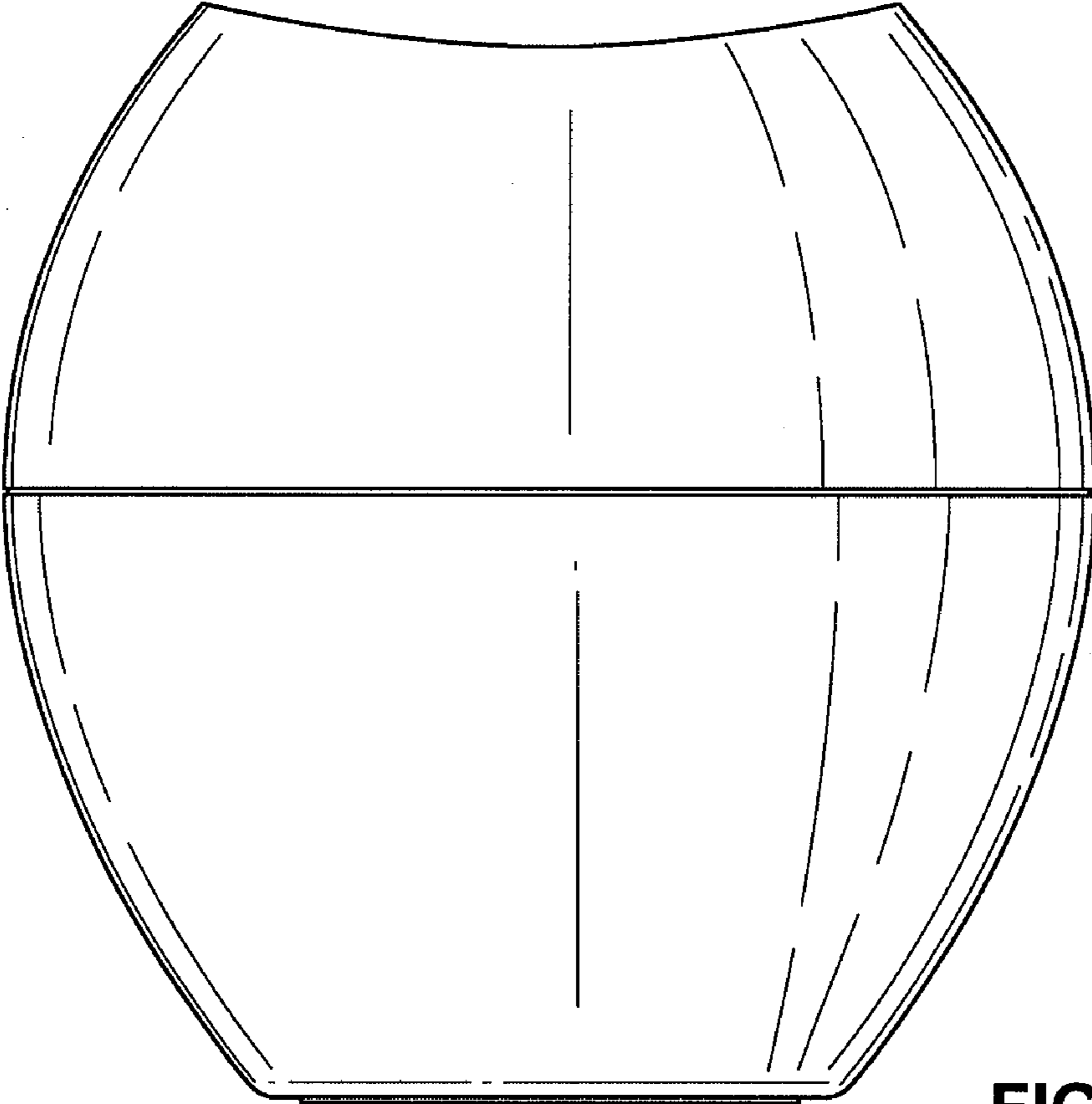


FIG. 1

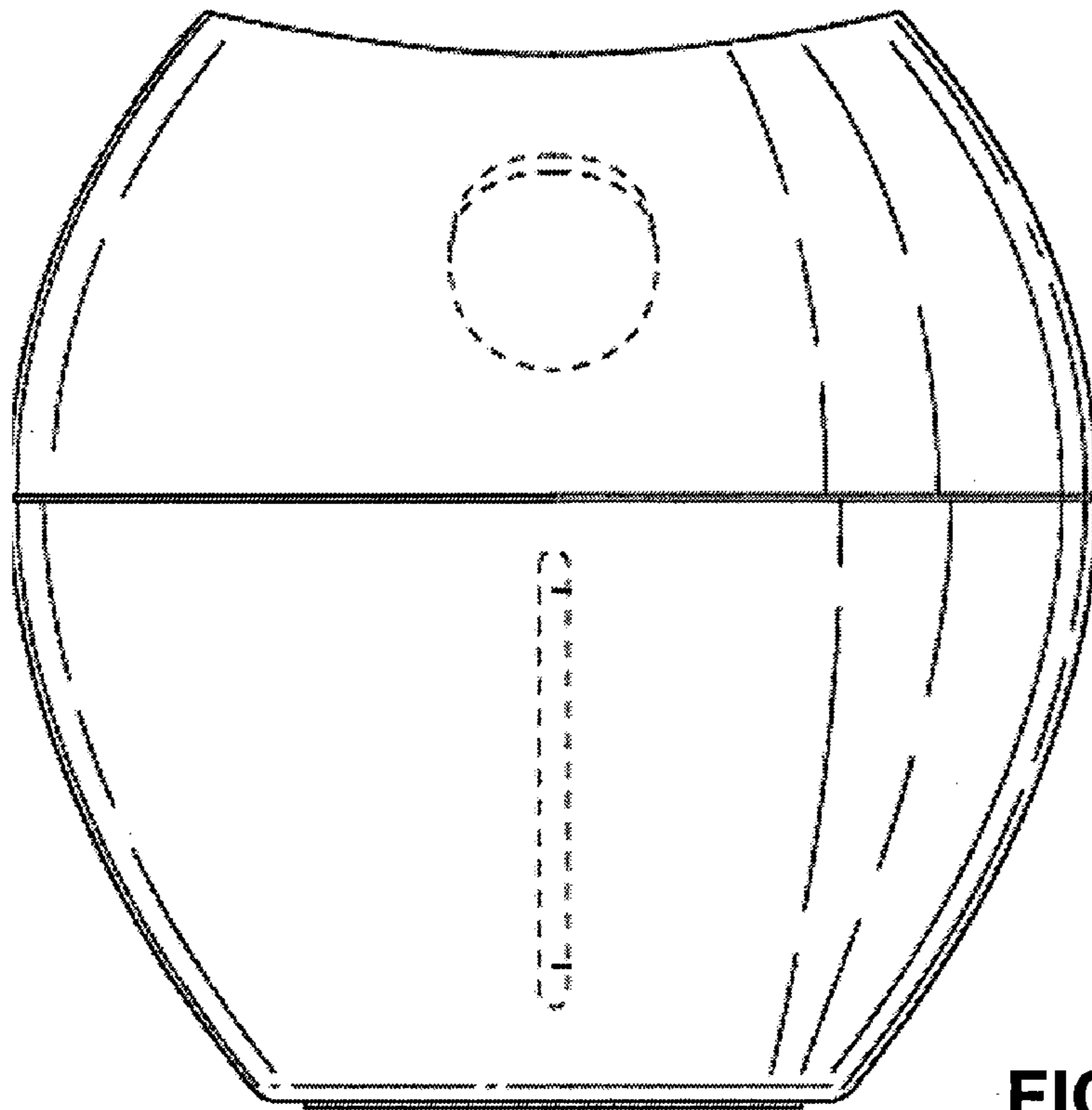


FIG. 2

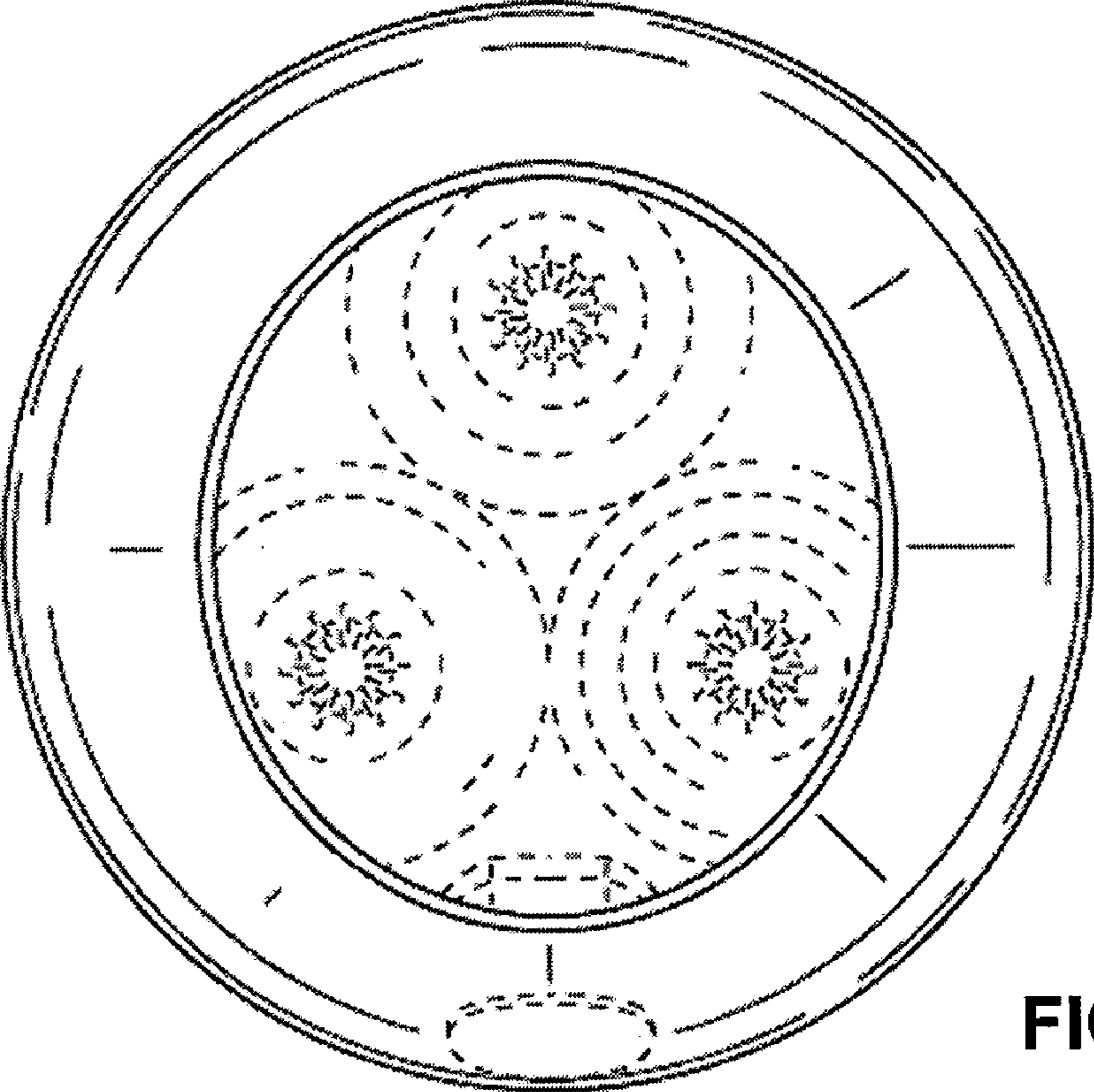


FIG. 3