

US00D598322S

(12) **United States Design Patent**
Kunz

(10) **Patent No.:** **US D598,322 S**

(45) **Date of Patent:** **** Aug. 18, 2009**

(54) **COMBINED BOWL AND INSERT SUPPORT COMPONENTS**

5,375,370 A * 12/1994 Zimmerman 47/41.01
D445,062 S * 7/2001 Wong D11/147
D562,071 S * 2/2008 Yang D7/505

(75) Inventor: **Klaus-Dieter Kunz**, Geldern (DE)

FOREIGN PATENT DOCUMENTS

(73) Assignee: **Le Barbue Kunz GmbH & Co. KG**
(DE)

DE 6606156 U 9/1970
DE 7131697 U 11/1971
DE 202007006535 U1 7/2007
GB 2037159 A 7/1980
WO 2004071171 A1 8/2004

(**) Term: **14 Years**

(21) Appl. No.: **29/317,694**

* cited by examiner

(22) Filed: **May 5, 2008**

Primary Examiner—Charles A Rademaker

(51) **LOC (9) Cl.** **11-02**

(74) *Attorney, Agent, or Firm*—St. Onge Steward Johnston & Reens LLC

(52) **U.S. Cl.** **D11/147; D7/505**

(58) **Field of Classification Search** D24/155–157;
606/60, 61, 73, 95, 213, 281, 292, 70, 71,
606/76, 291, 246, 248, 249, 247, 280, 283;
623/17.11, 17.12, 17.13, 17.14, 17.15, 17.16,
623/23.61, 23.56, 247, 213, 286; D15/143,
D15/139; 229/401; 220/574.1, 575, 574.2;
D7/570, 567, 500, 543, 624.1, 552.1, 553.4,
D7/554.3, 554.4, 557, 561, 562, 586, 566;
206/426, 454, 563, 564; D9/456; D11/146,
D11/147; 47/41.01

(57) **CLAIM**

The ornamental design for a combined bowl and insert support components, as shown and described.

See application file for complete search history.

DESCRIPTION

FIG. 1 is a top and front perspective view of a combined bowl and insert support components showing my new design;

(56) **References Cited**

U.S. PATENT DOCUMENTS

D48,239 S * 12/1915 Booth D11/147
D73,411 S * 9/1927 Magee D11/147
D96,932 S * 9/1935 Perry D11/147
2,563,202 A * 8/1951 Wurzlow 47/41.01
D230,408 S * 2/1974 Persson-Meliin D11/147
D239,963 S * 5/1976 Daenen et al. D11/147
D246,516 S * 11/1977 Wagschal D11/147
D297,823 S * 9/1988 Littlefield D11/147
4,958,461 A 9/1990 Aldrich

FIG. 2 is a top plan view thereof;

FIG. 3 is a front elevation thereof;

FIG. 4 is a top plan view of the insert base component with the bowl and insert components omitted for ease of illustration;

FIG. 5 is a side elevation thereof;

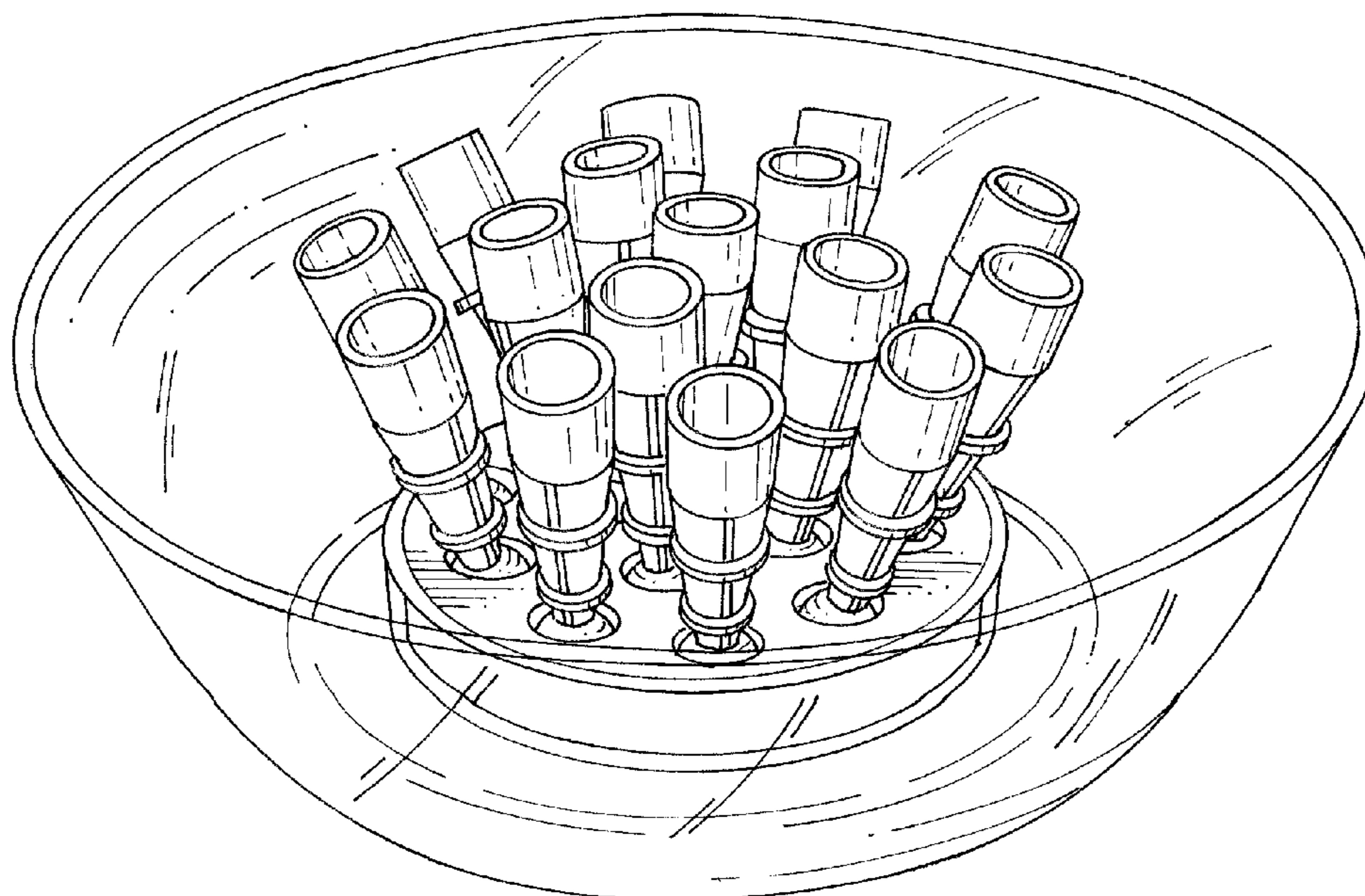
FIG. 6 is a front elevation of an insert component;

FIG. 7 is a side elevation thereof;

FIG. 8 is a top plan view thereof; and,

FIG. 9 is a front elevation of the insert base component with two insert components thereof.

1 Claim, 5 Drawing Sheets



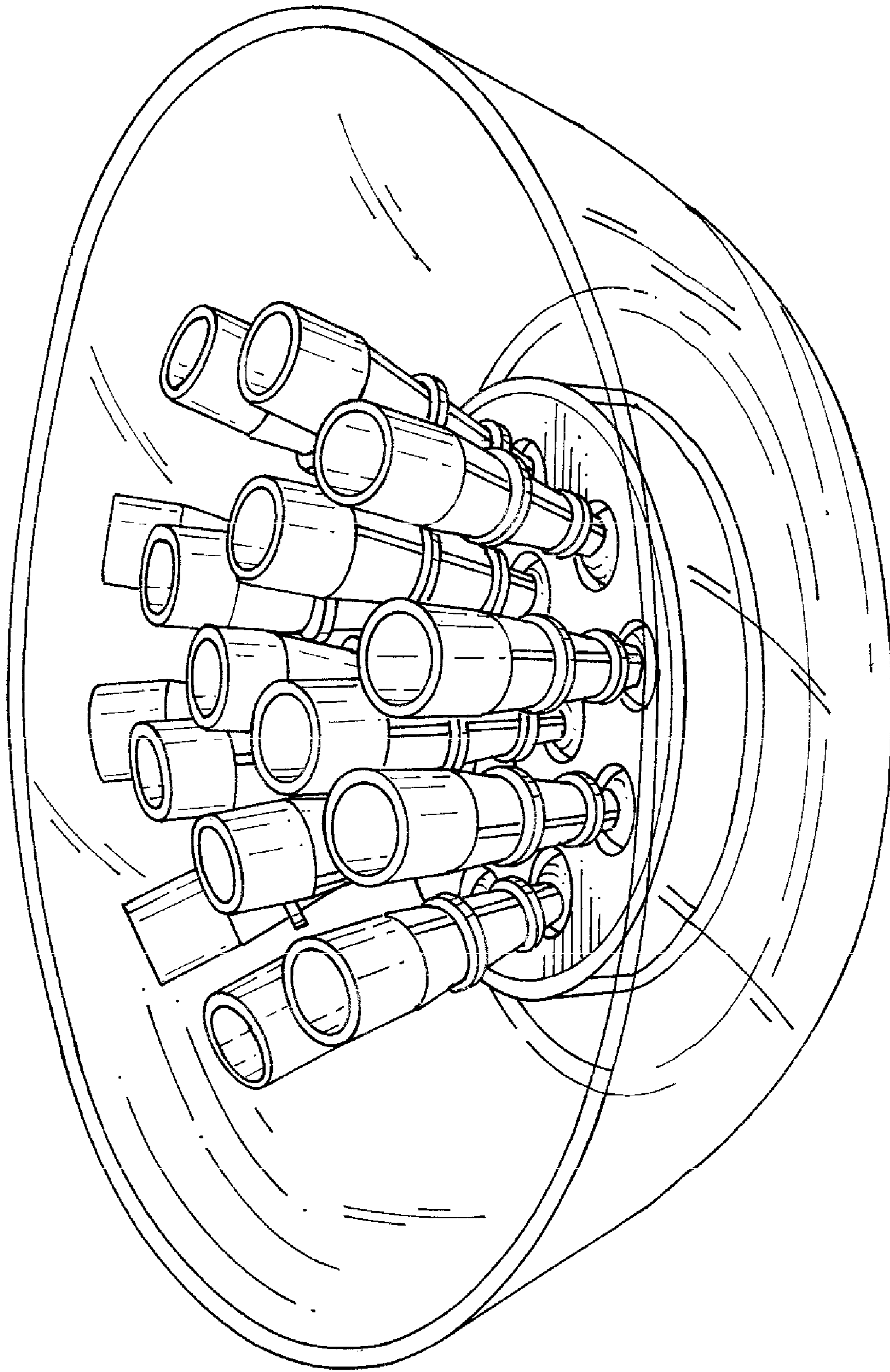


FIG. 1

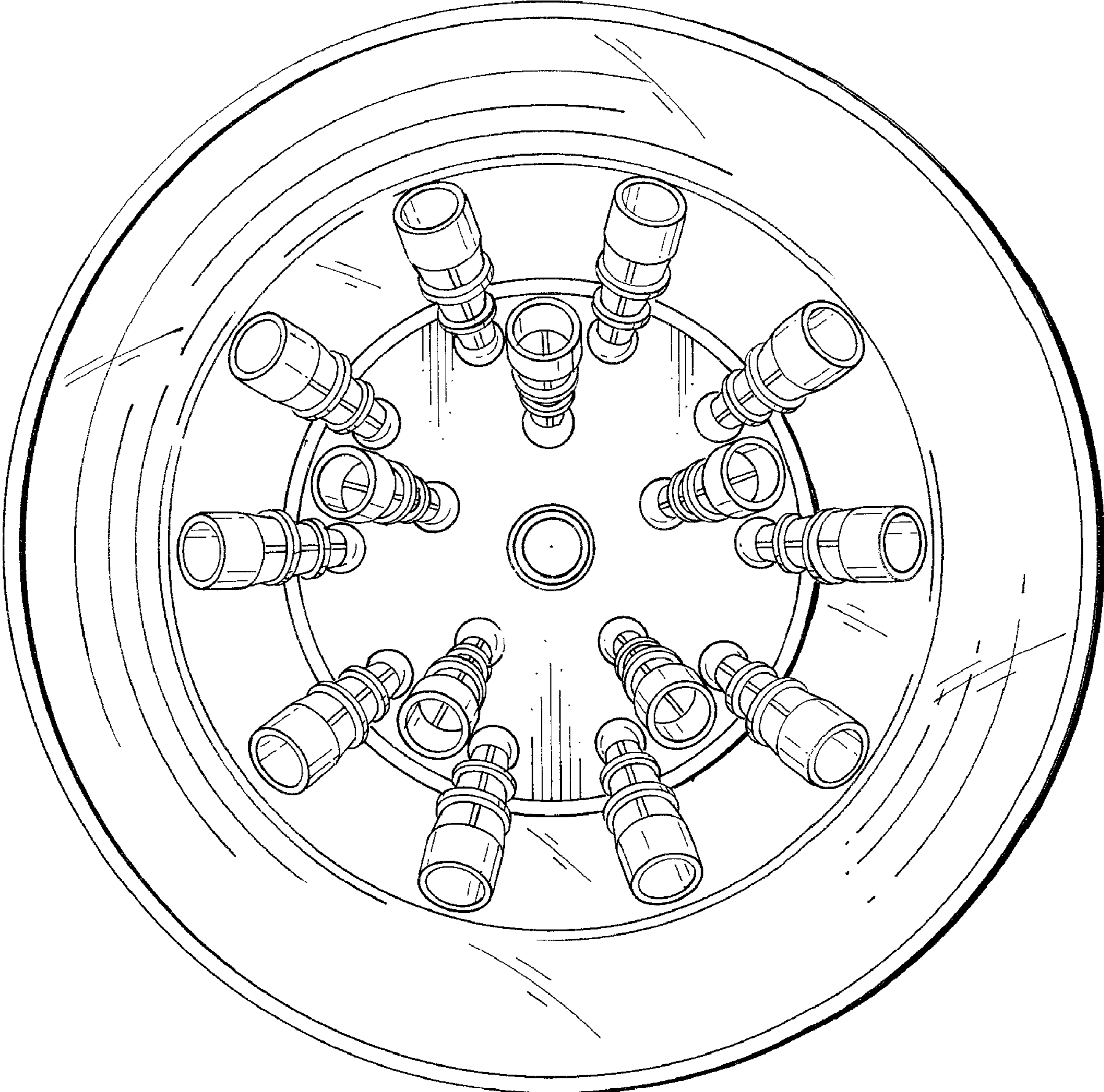


FIG. 2

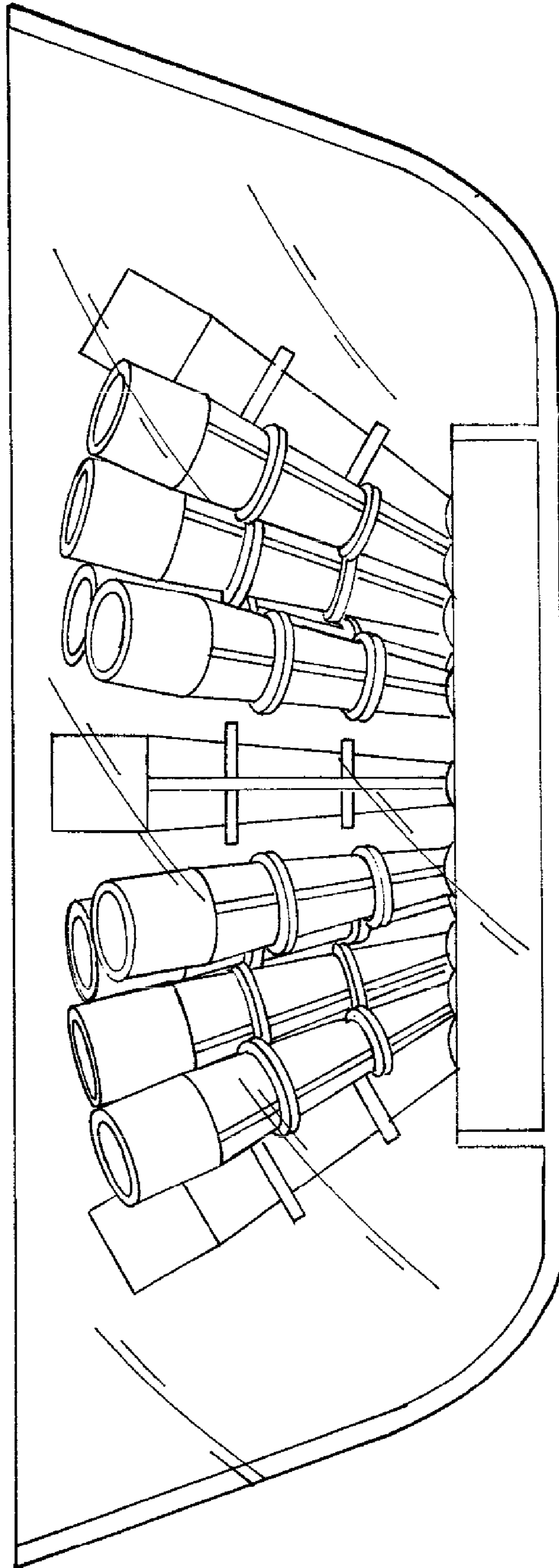


FIG. 3

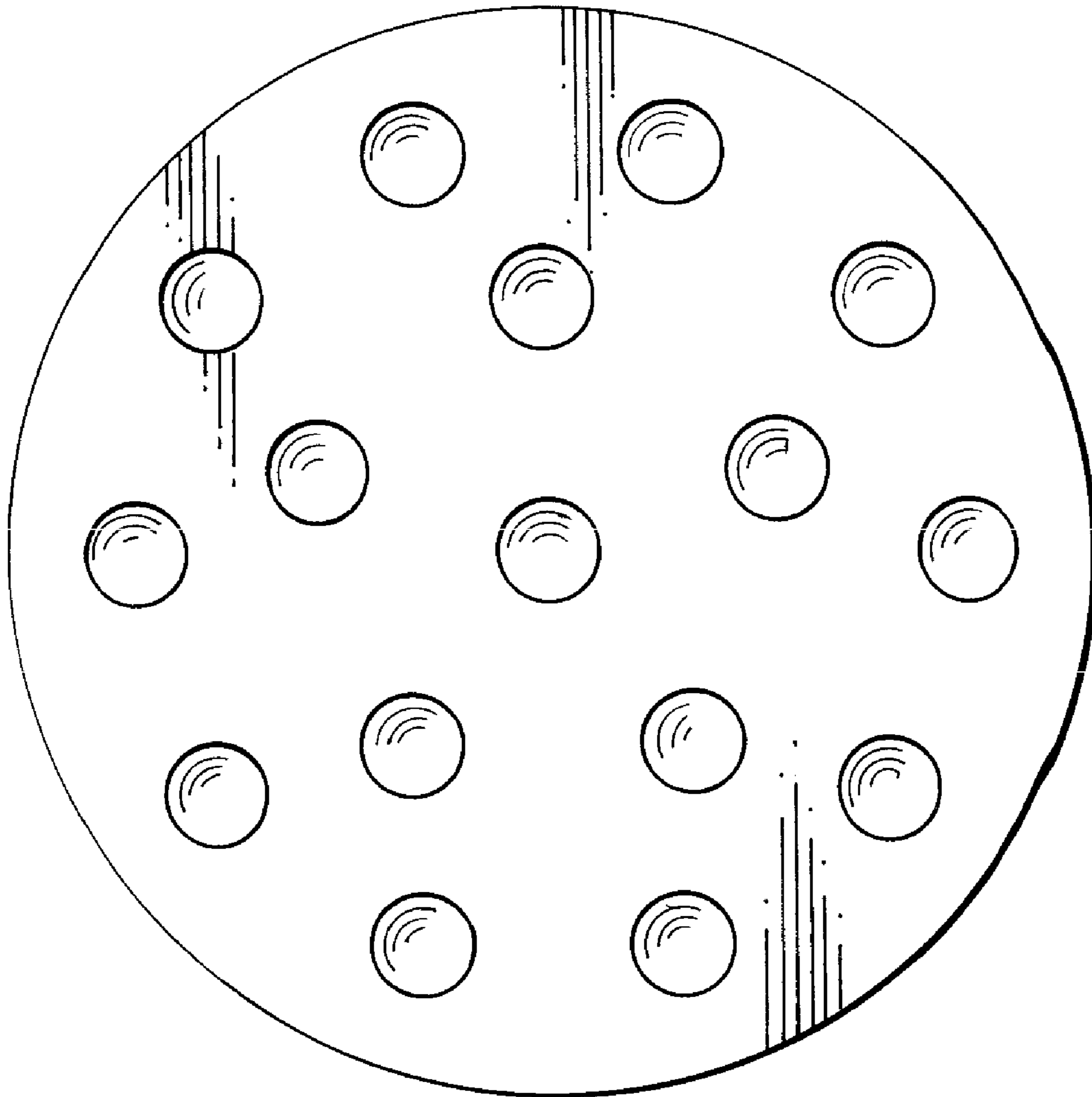


FIG. 4



FIG. 5

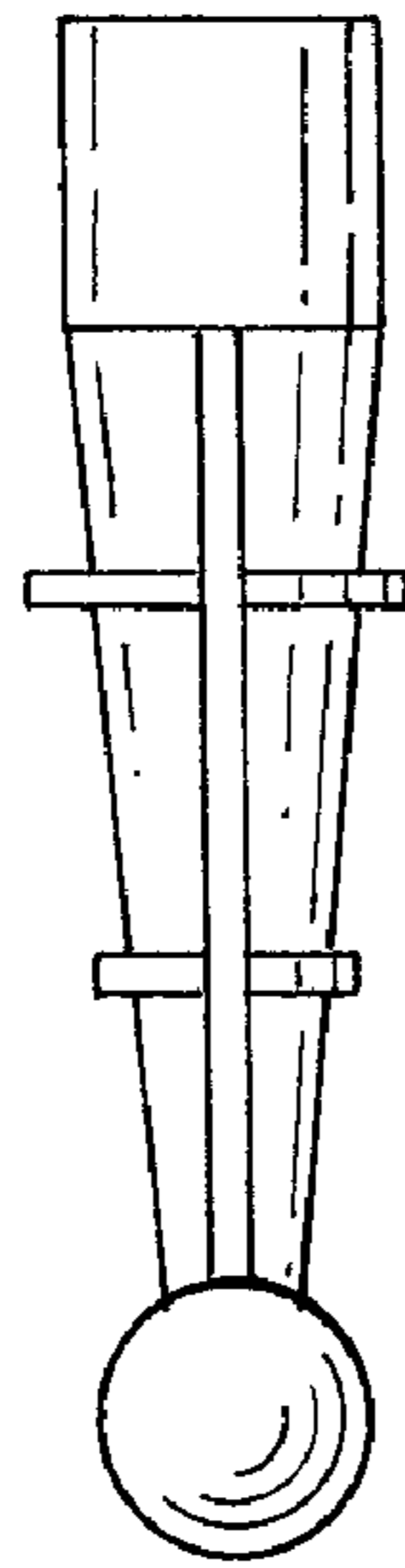


FIG. 6

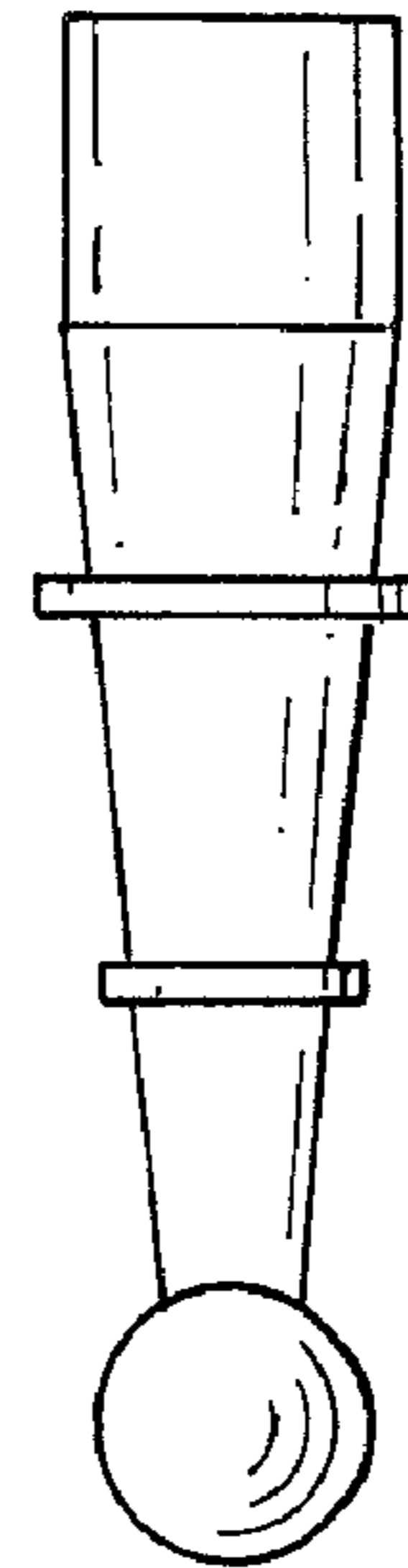


FIG. 7

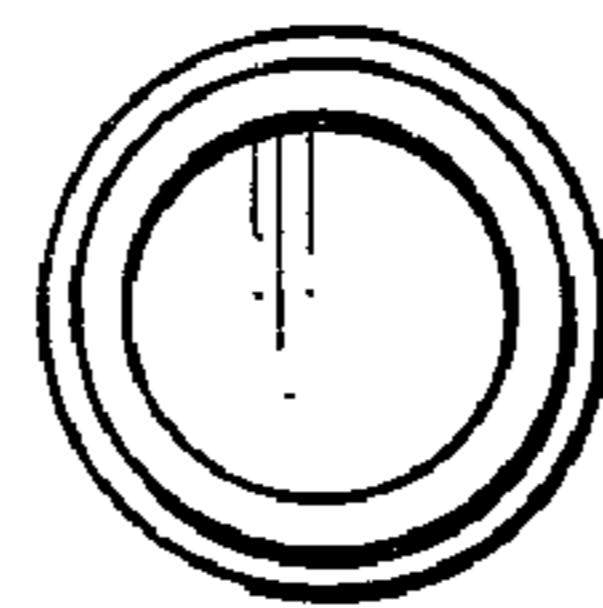


FIG. 8

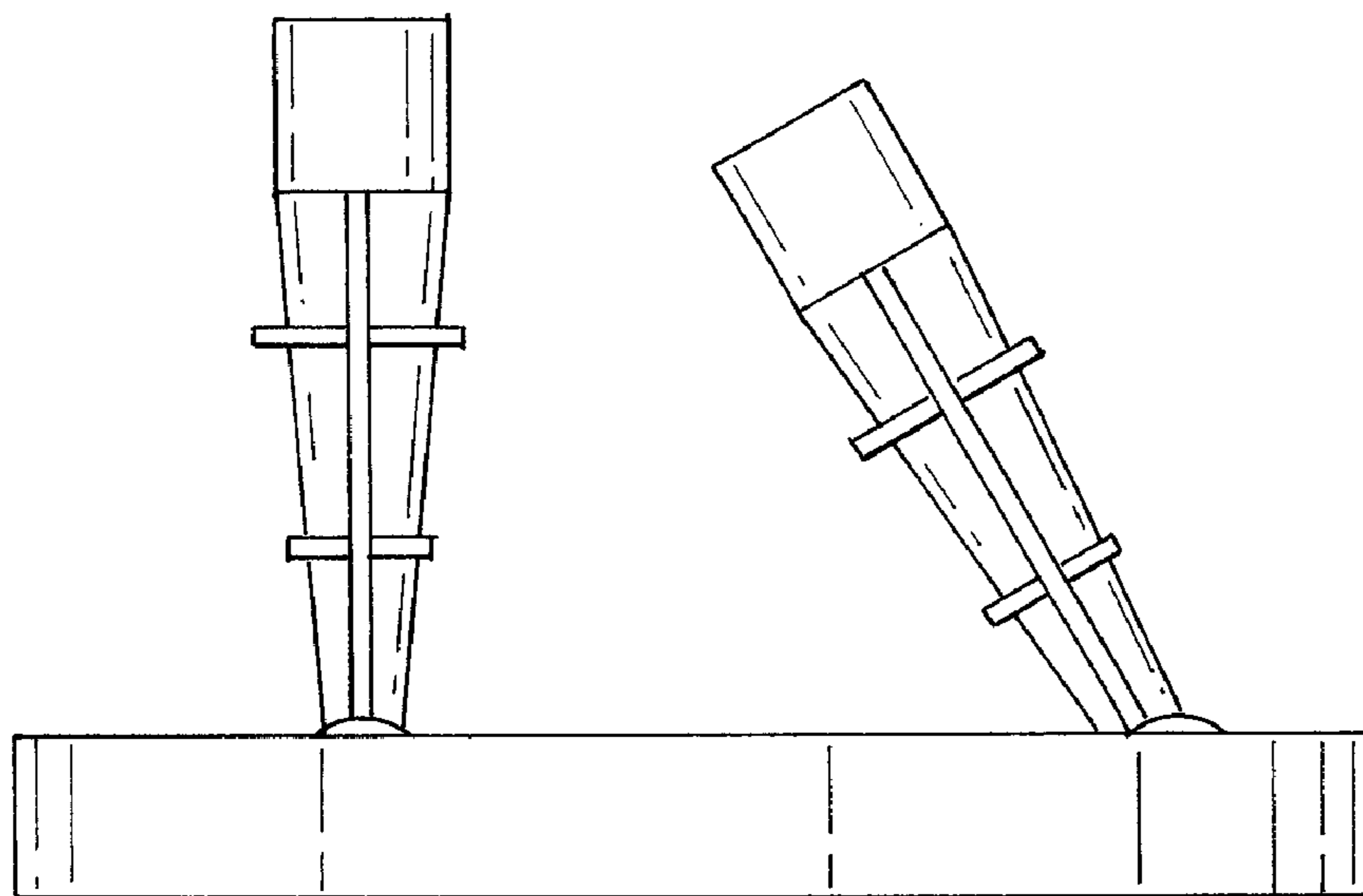


FIG. 9