



US00D598315S

(12) **United States Design Patent**  
**Miyatake**

(10) **Patent No.:** **US D598,315 S**

(45) **Date of Patent:** **\*\* Aug. 18, 2009**

(54) **SIGNAL WARNING AND DISPLAYING LAMP**

(75) Inventor: **Tetsuya Miyatake**, Osaka (JP)

(73) Assignee: **Patlite Corporation**, Osaka (JP)

(\*\*) Term: **14 Years**

(21) Appl. No.: **29/310,920**

(22) Filed: **Sep. 18, 2008**

(30) **Foreign Application Priority Data**

Mar. 22, 2008 (JP) ..... 2008-007107

(51) **LOC (9) Cl.** ..... **10-05**

(52) **U.S. Cl.** ..... **D10/114; D10/120**

(58) **Field of Classification Search** ..... D10/114,  
D10/109, 111; D34/25; D22/148; D26/49,  
D26/37, 110, 24, 27, 93, 104; D24/110;  
340/908, 309.8, 309.16, 321, 953, 384.1,  
340/815.77, 691.1, 326; 116/63 P, 63 R;  
362/205, 184, 253, 186; 390/321, 690

See application file for complete search history.

(56) **References Cited**

**U.S. PATENT DOCUMENTS**

2,370,824 A \* 3/1945 Trautner ..... 362/186  
2,674,726 A \* 4/1954 Williams ..... 340/953  
D173,826 S \* 1/1955 Wiswell ..... D10/114  
3,266,014 A \* 8/1966 Leotta ..... 340/815.77  
D237,369 S \* 10/1975 Na ..... D10/114  
4,288,784 A \* 9/1981 Fusco ..... 340/326  
5,103,383 A \* 4/1992 Mayhew ..... 362/186

5,825,280 A \* 10/1998 Merendini et al. .... 340/326  
D402,577 S \* 12/1998 Payne et al. .... D10/114  
5,898,363 A \* 4/1999 Altilio ..... 340/384.1  
6,144,309 A \* 11/2000 Fagence ..... 340/691.1  
D513,477 S \* 1/2006 Heftman ..... D10/111  
D544,805 S \* 6/2007 Corrigan et al. .... D10/111

\* cited by examiner

*Primary Examiner*—Caron Veynar

*Assistant Examiner*—George D Kirschbaum

(74) *Attorney, Agent, or Firm*—William L. Androlia; H. Henry Koda

(57) **CLAIM**

The ornamental design for a signal warning and displaying lamp, as shown and described.

**DESCRIPTION**

FIG. 1 is a front elevational view of a signal warning and displaying lamp showing my new design;

FIG. 2 is a rear elevational view thereof;

FIG. 3 is a top plan view thereof;

FIG. 4 is a bottom plan view thereof;

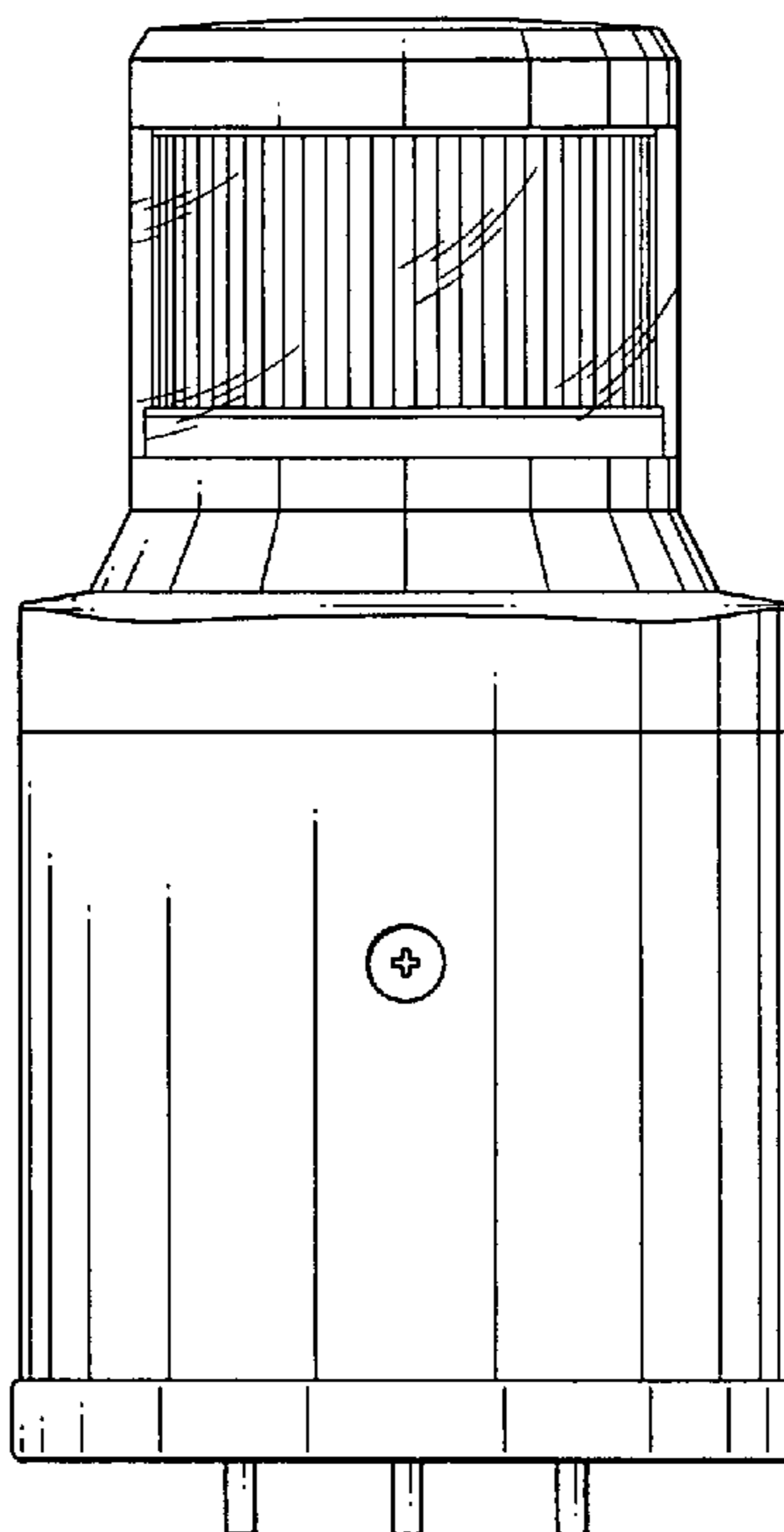
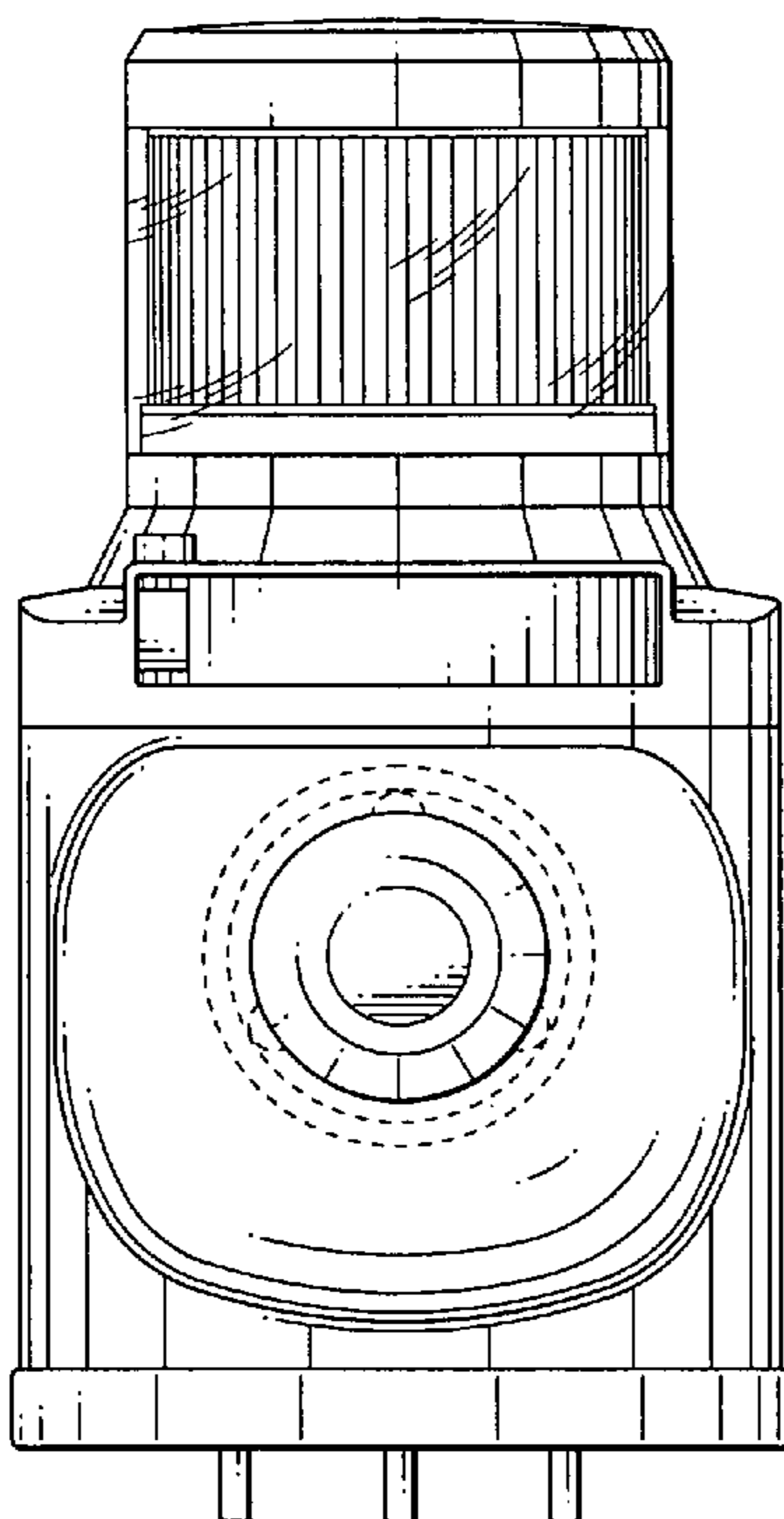
FIG. 5 is a left side elevational view thereof;

FIG. 6 is a right side elevational view thereof; and,

FIG. 7 is a perspective view taken from the front, right side and top of the signal warning and displaying lamp.

The broken lines depict unclaimed environmental subject matter.

**1 Claim, 4 Drawing Sheets**



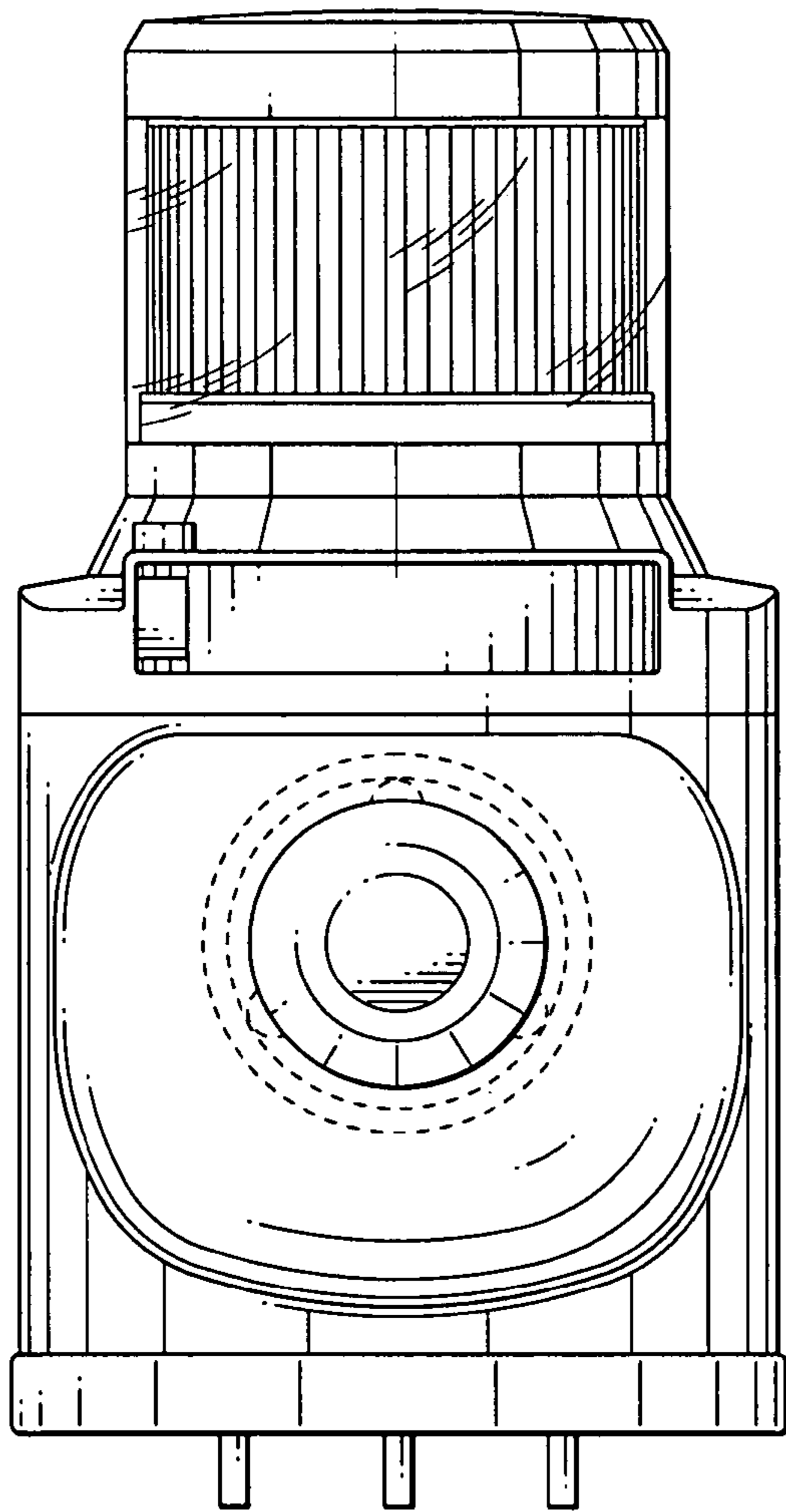


FIG. 1

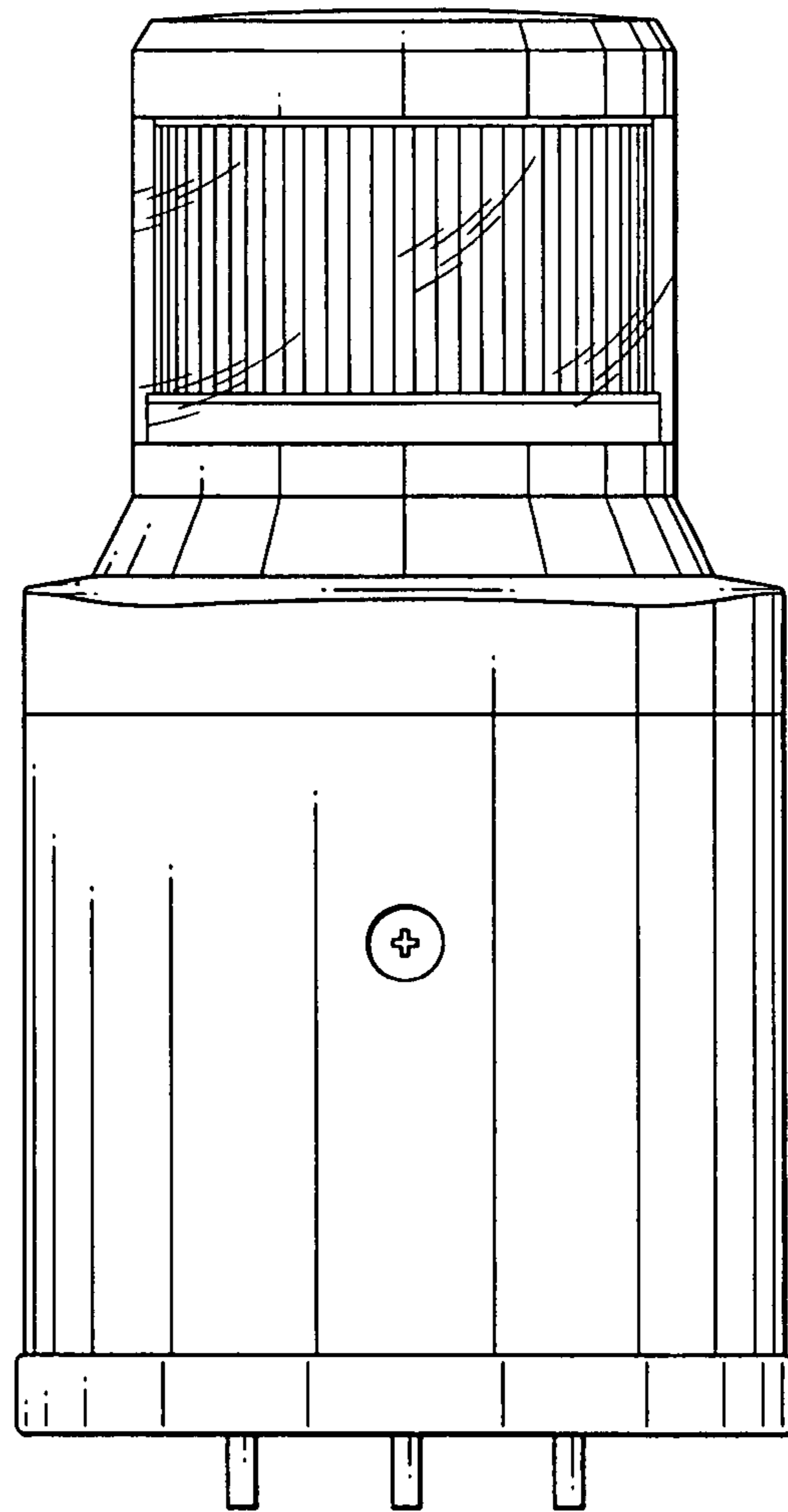


FIG. 2

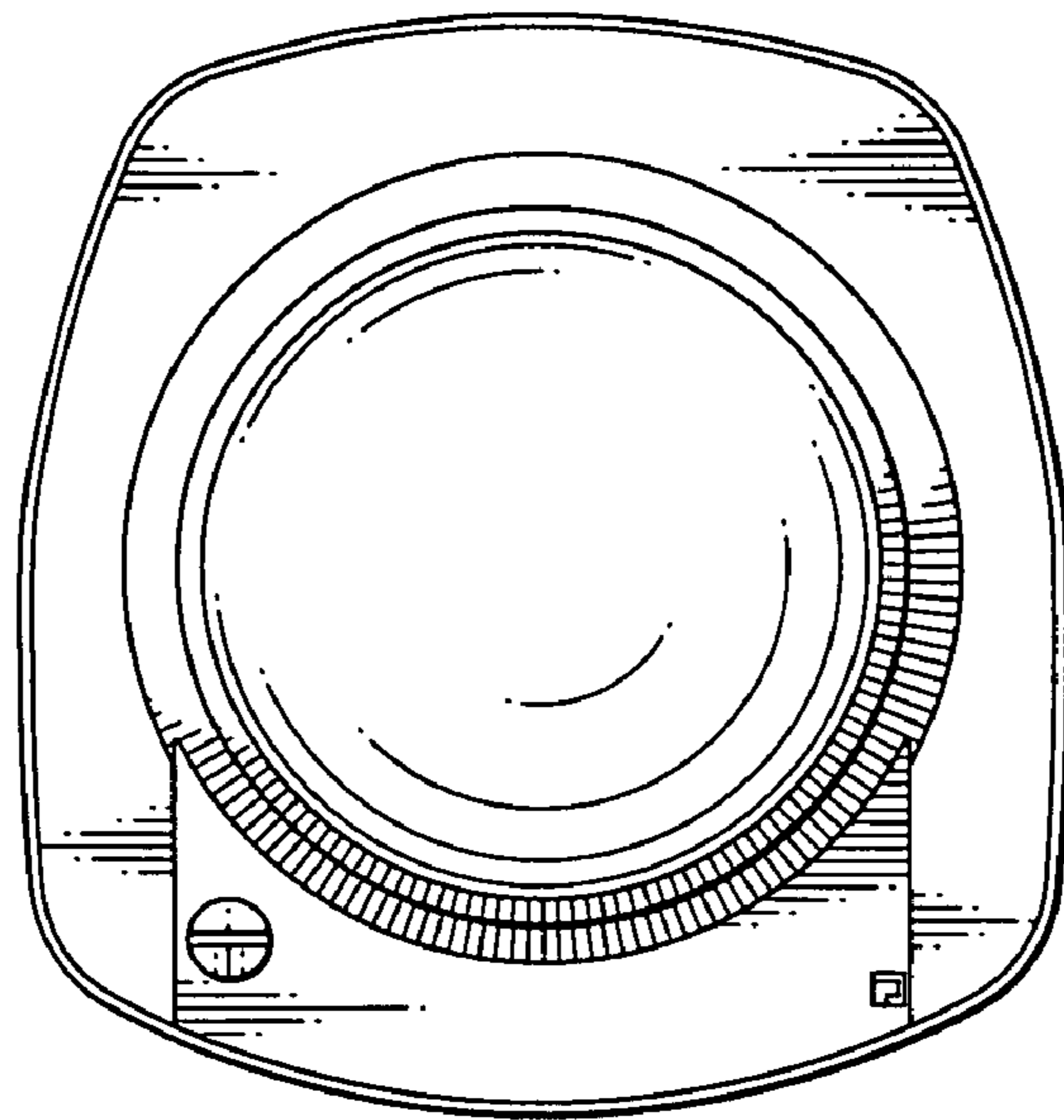


FIG. 3

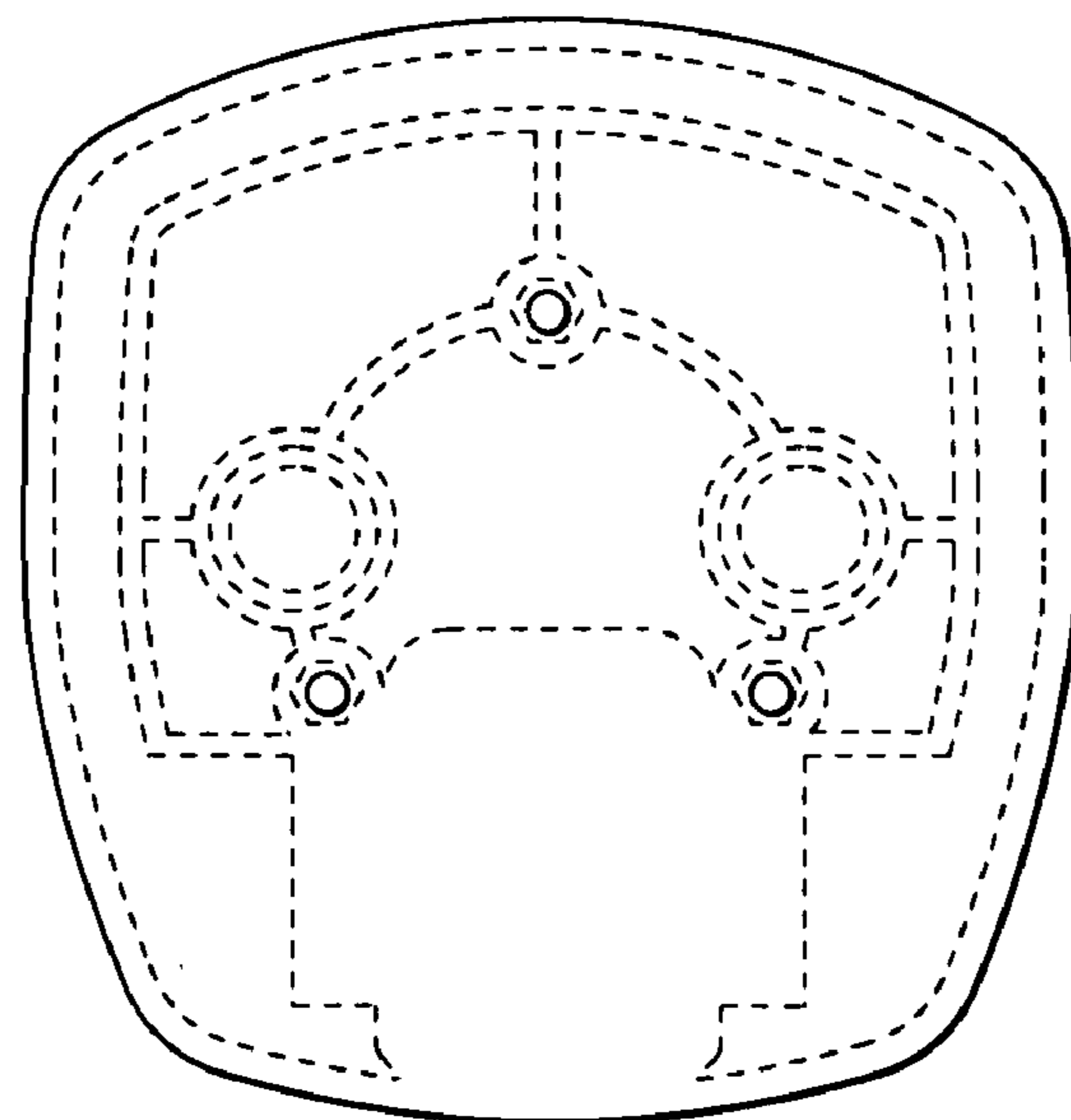


FIG. 4

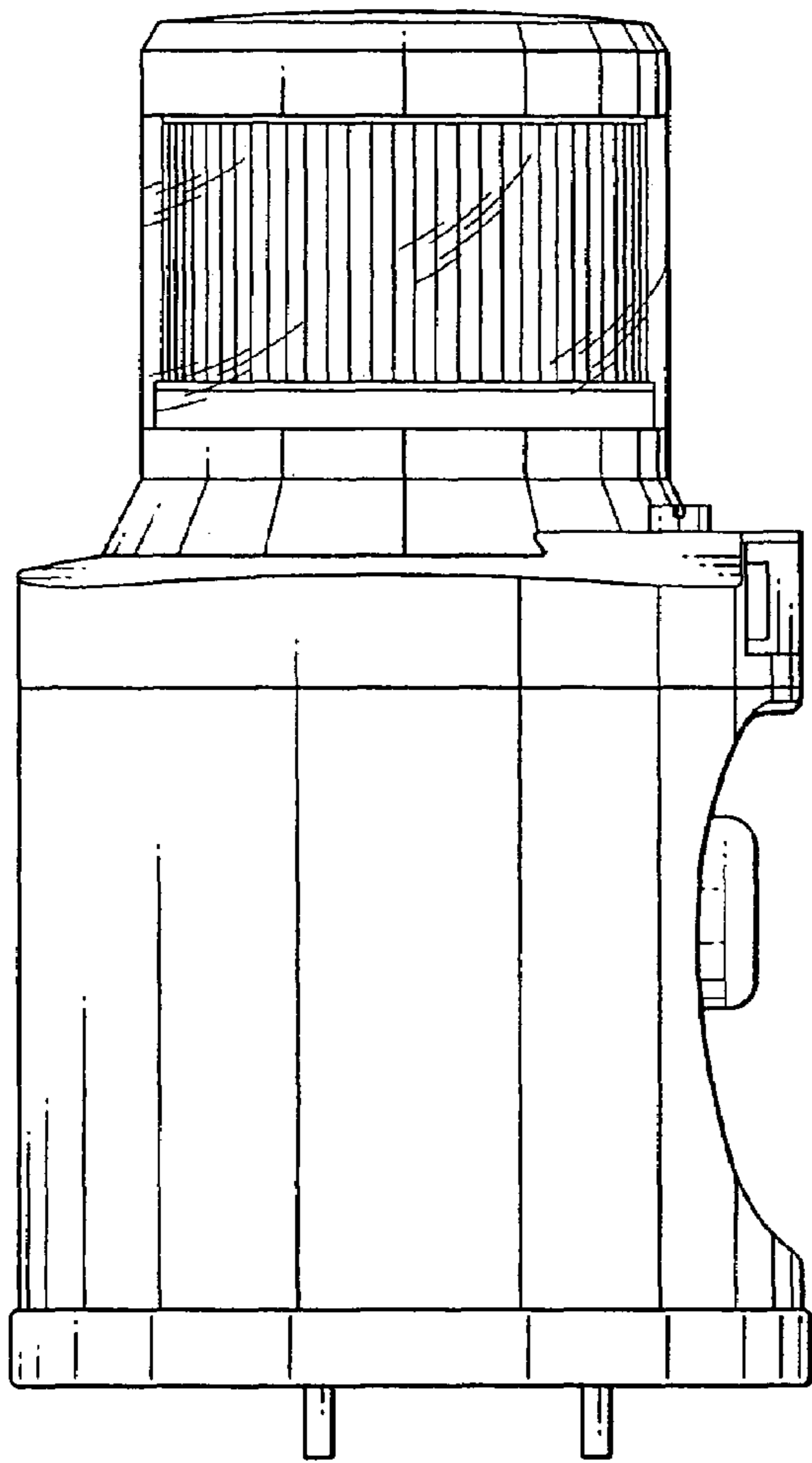


FIG. 5

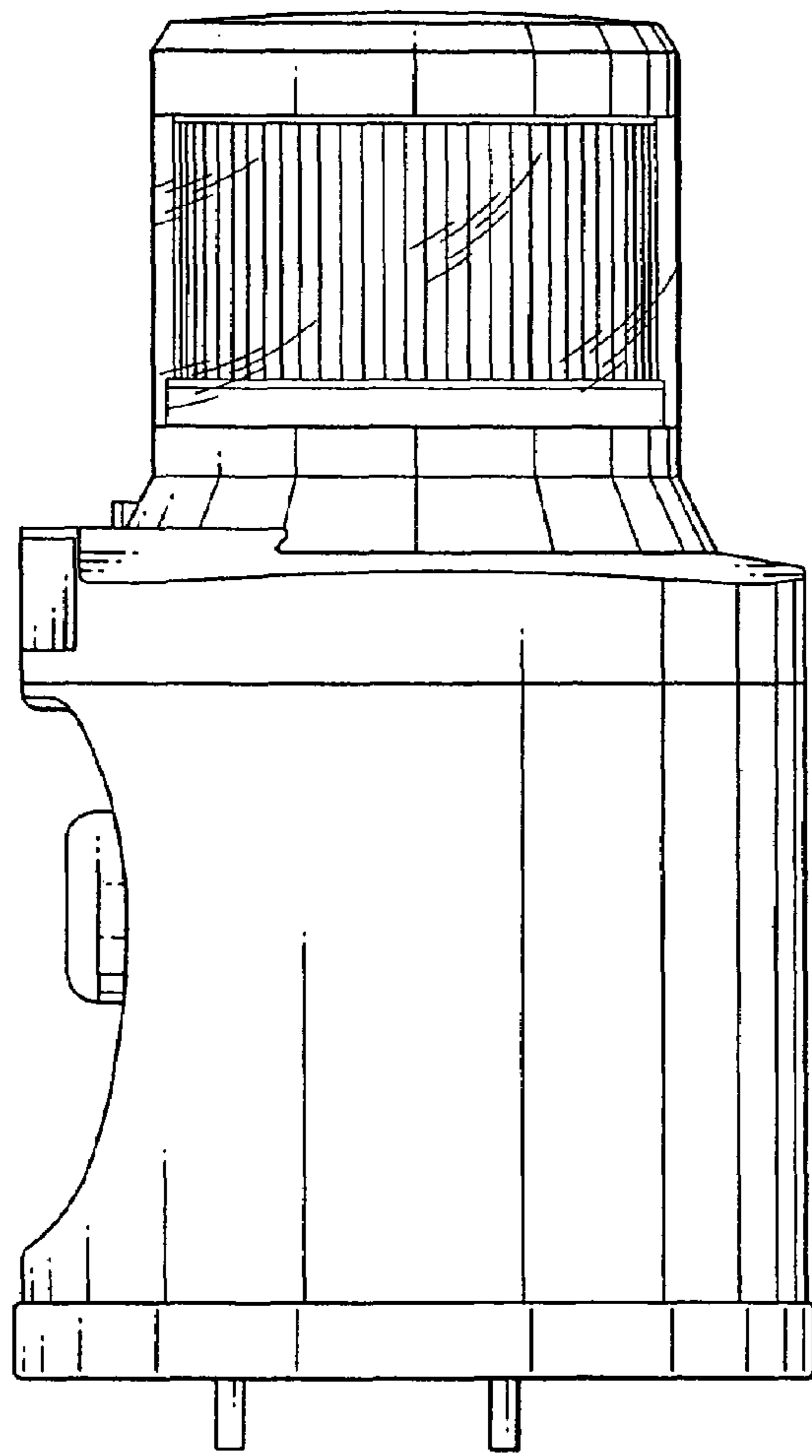


FIG. 6

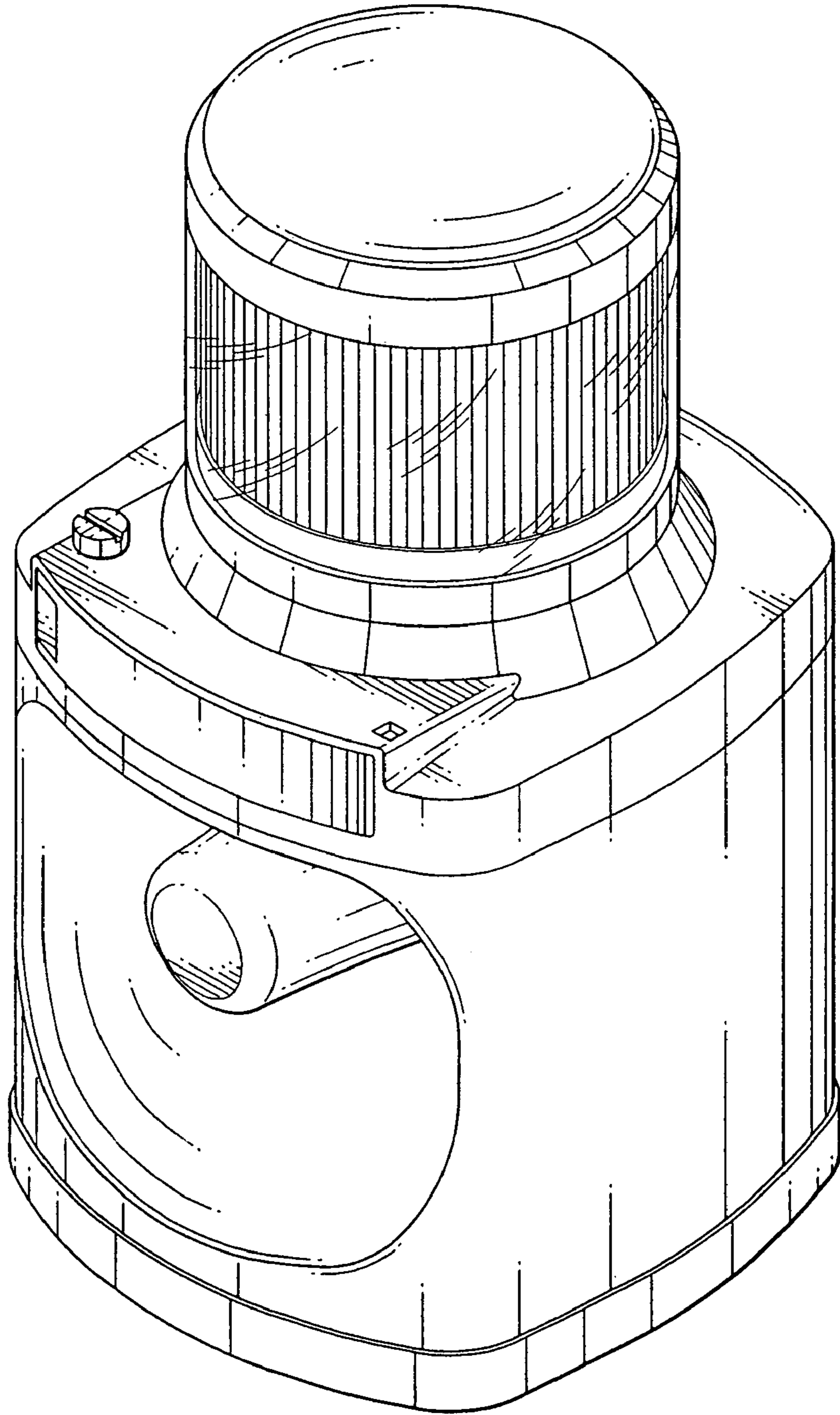


FIG. 7