



US00D598313S

(12) **United States Design Patent**  
**Schmelling**

(10) **Patent No.:** **US D598,313 S**

(45) **Date of Patent:** **\*\* Aug. 18, 2009**

(54) **ELECTRICAL ALARM AND REMOTE CONTROL**

(74) *Attorney, Agent, or Firm*—Buchanan Ingersoll & Rooney PC

(75) Inventor: **Steffen Schmelling**, Copenhagen N (DK)

(57) **CLAIM**

The ornamental design for an electrical alarm and remote control, as shown and described.

(73) Assignee: **Bang & Olufsen A/S**, Struer (DK)

(\*\*) Term: **14 Years**

**DESCRIPTION**

(21) Appl. No.: **29/328,192**

FIG. 1 is a front, side perspective view of an electrical alarm and remote control showing my new design, the electrical alarm and remote control shown in the “on” position;

(22) Filed: **Nov. 20, 2008**

FIG. 2 is a rear, side perspective view thereof;

(30) **Foreign Application Priority Data**

May 23, 2008 (DK) ..... DA 2008 00138

FIG. 3 is a front elevational view thereof;

(51) **LOC (9) Cl.** ..... **10-05**

FIG. 4 is a rear elevational view thereof;

(52) **U.S. Cl.** ..... **D10/106; D10/104**

FIG. 5 is a left side elevational view thereof;

(58) **Field of Classification Search** ..... D10/104, D10/106; 340/426.31, 546; D14/154, 168, D14/188, 167; 455/351, 350

FIG. 6 is a right side elevational view thereof;

See application file for complete search history.

FIG. 7 is a top plan view thereof;

FIG. 8 is a bottom plan view thereof;

(56) **References Cited**

FIG. 9 is a front, side perspective view of an alternate embodiment of the electrical alarm and remote control of FIG. 1, the electrical alarm and remote control shown in the “off” position;

**U.S. PATENT DOCUMENTS**

4,896,139	A *	1/1990	Eldridge	.....	340/546
5,055,823	A *	10/1991	Fuller	.....	340/426.31
6,075,440	A *	6/2000	Carroll	.....	340/546
D459,262	S *	6/2002	Kurz et al.	.....	D10/104
D509,455	S *	9/2005	Nordahl	.....	D10/106
6,943,686	B2 *	9/2005	Allen	.....	340/546
D521,168	S *	5/2006	Waters	.....	D26/42
7,164,356	B1 *	1/2007	Zeitz	.....	340/546

FIG. 10 is a rear, side perspective view thereof;

FIG. 11 is a front elevational view thereof;

FIG. 12 is a rear elevational view thereof;

FIG. 13 is a left side elevational view thereof;

FIG. 14 is a right side elevational view thereof;

FIG. 15 is a top plan view thereof; and,

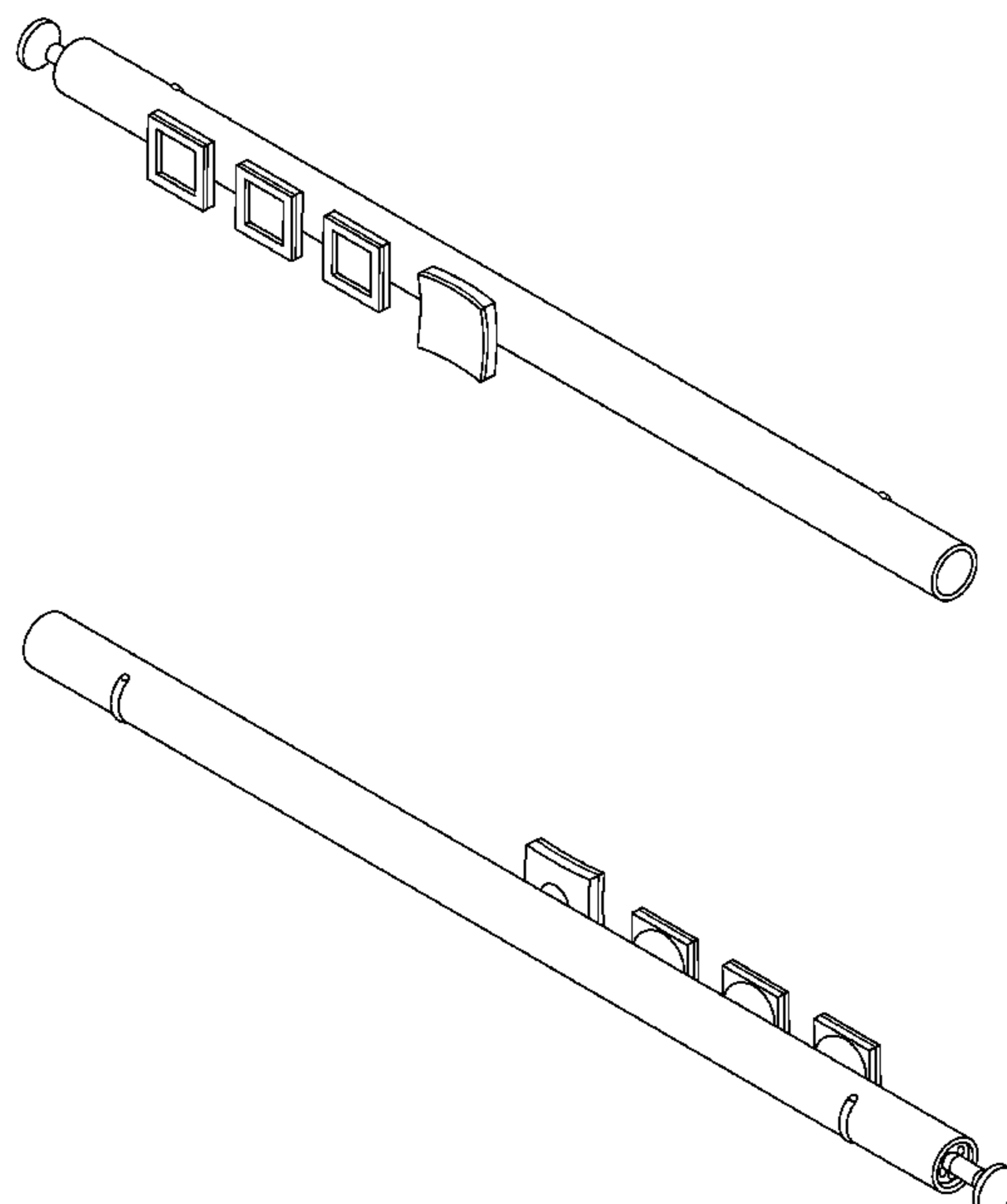
FIG. 16 is a bottom plan view thereof.

\* cited by examiner

*Primary Examiner*—Caron Veynar

*Assistant Examiner*—George D Kirschbaum

**1 Claim, 16 Drawing Sheets**



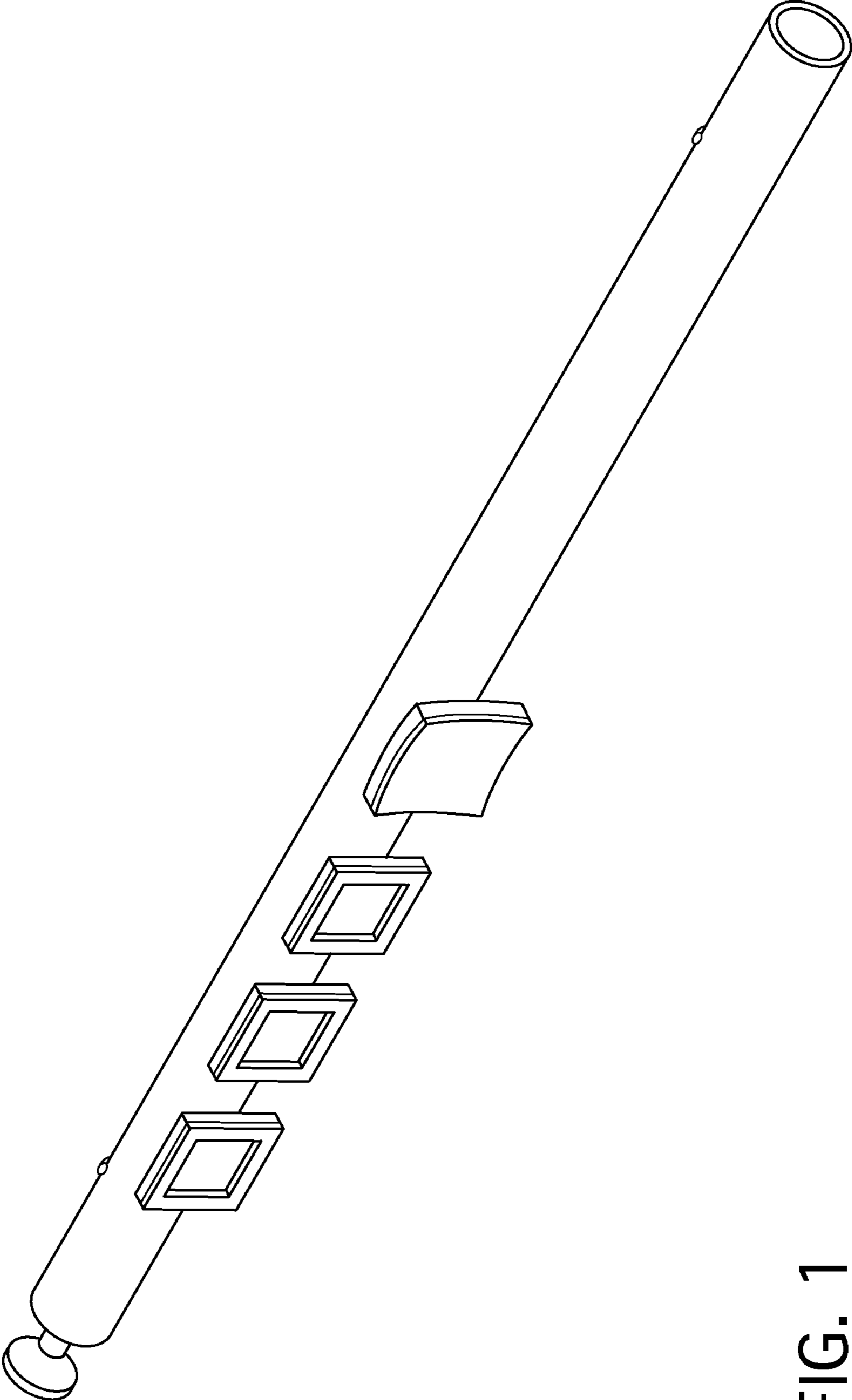


FIG. 1

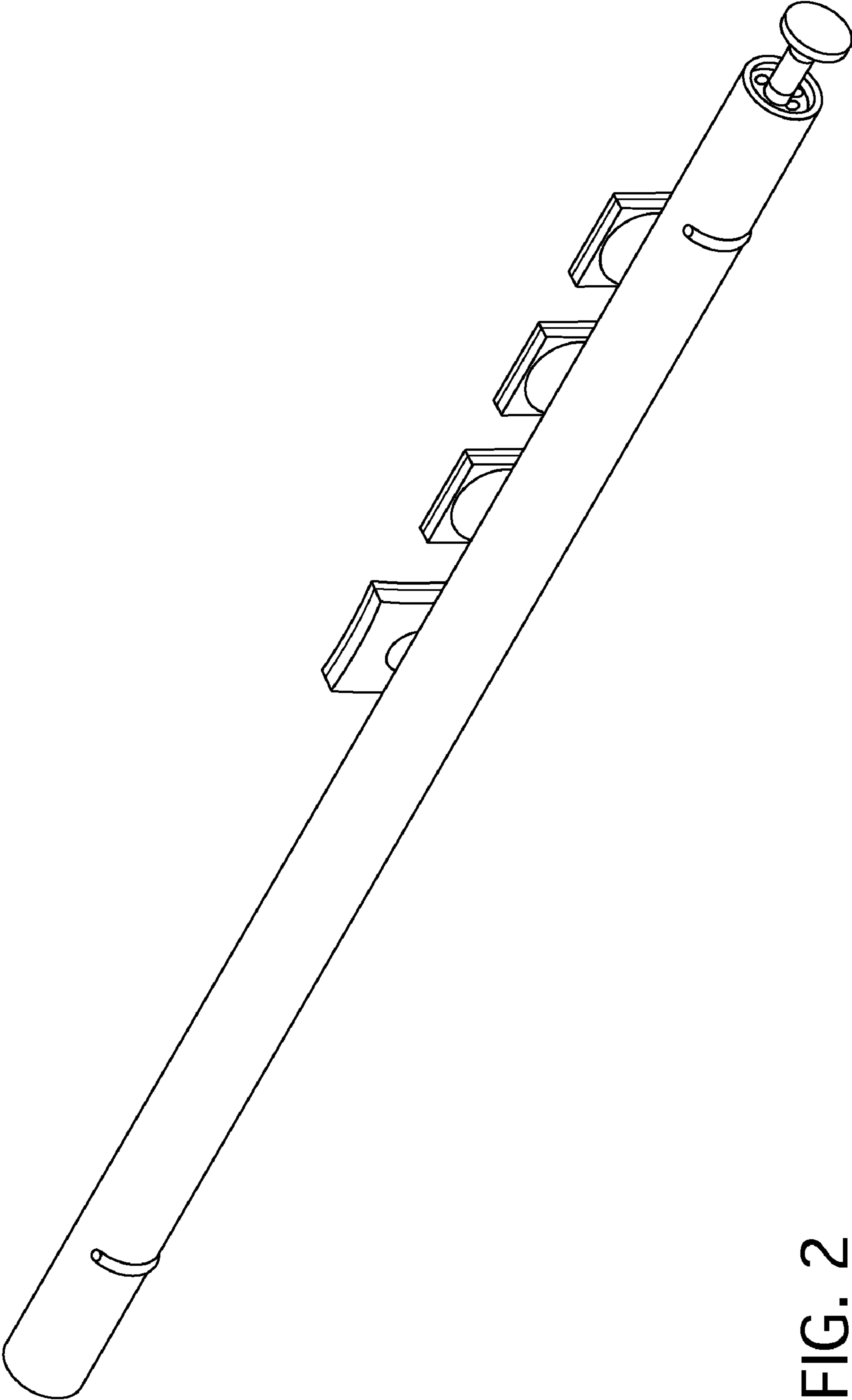


FIG. 2

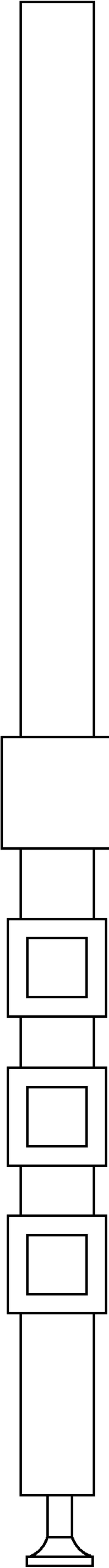


FIG. 3

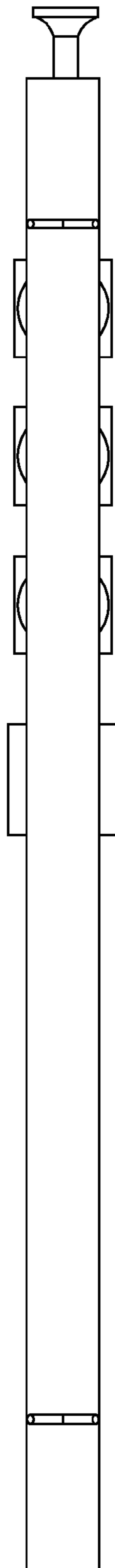


FIG. 4

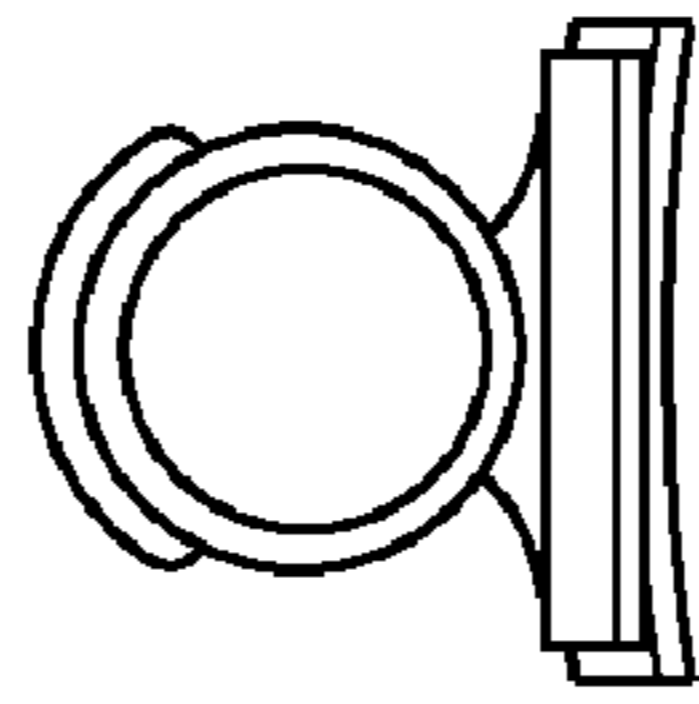


FIG. 5

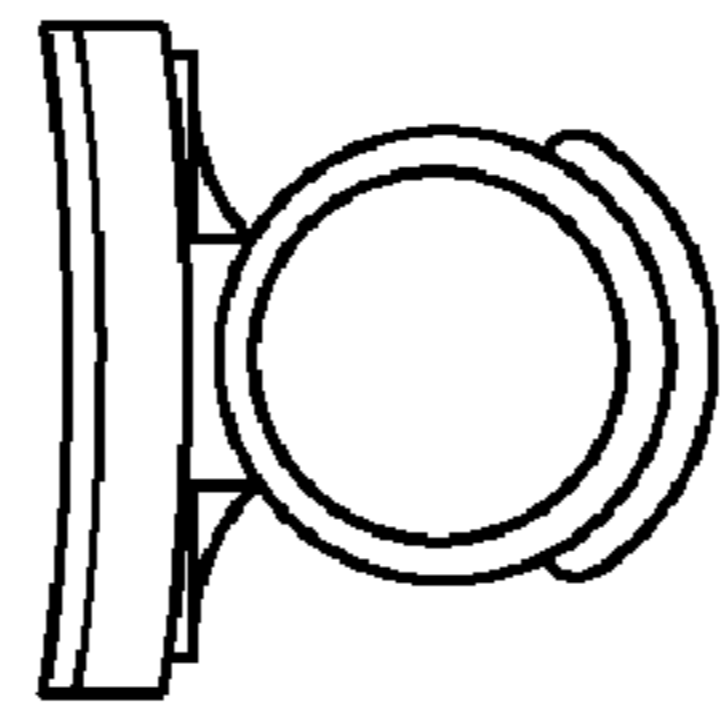


FIG. 6

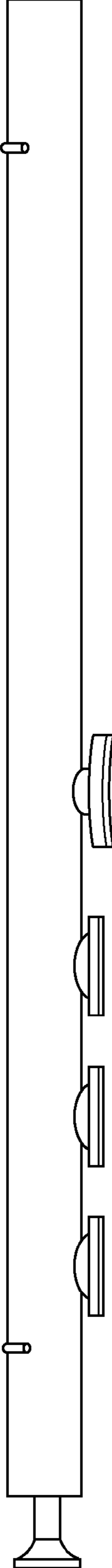


FIG. 7



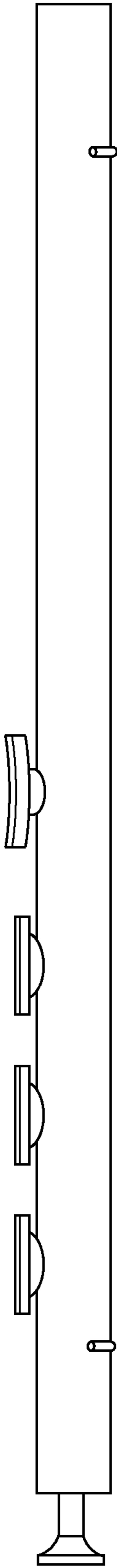


FIG. 8

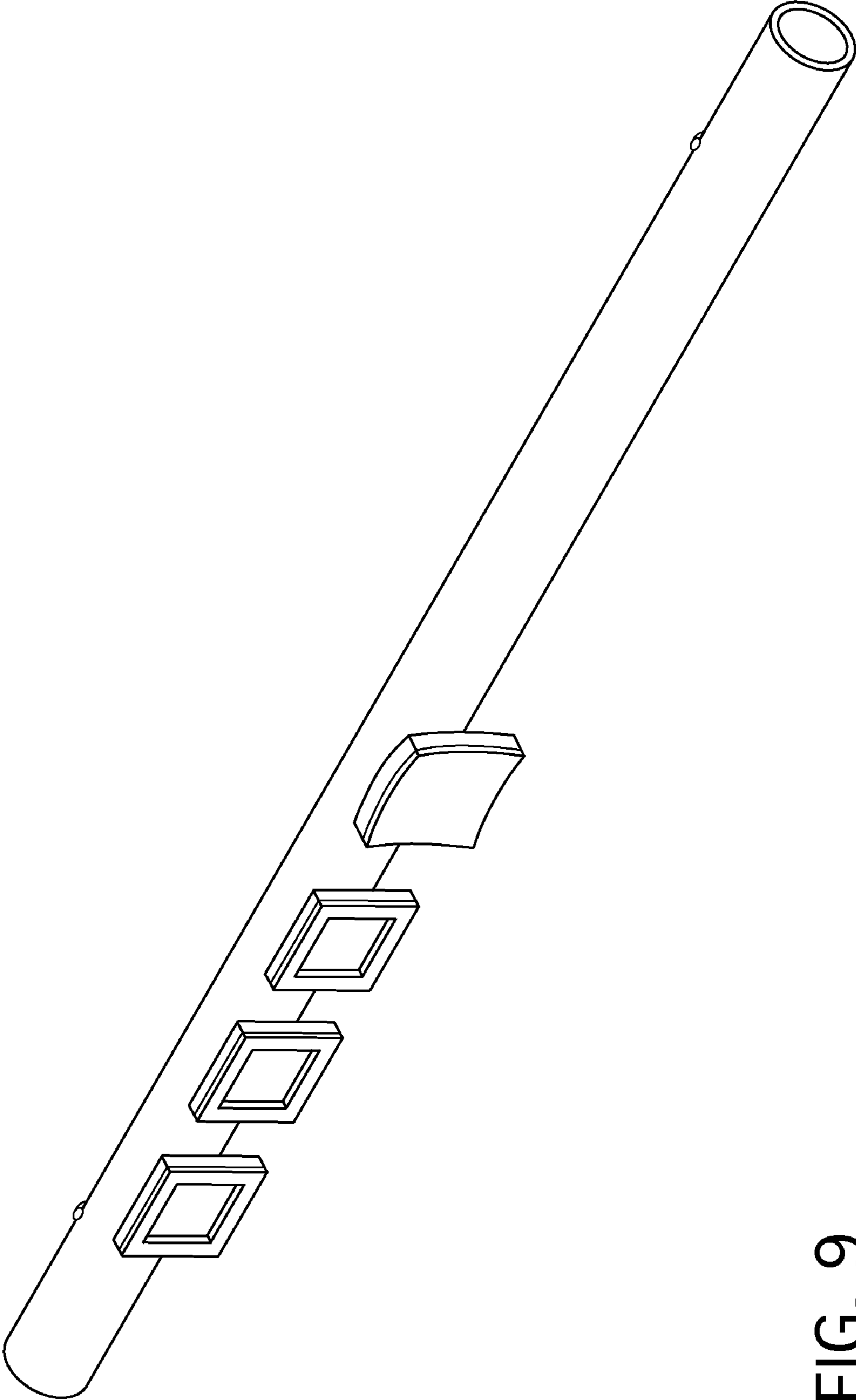


FIG. 9

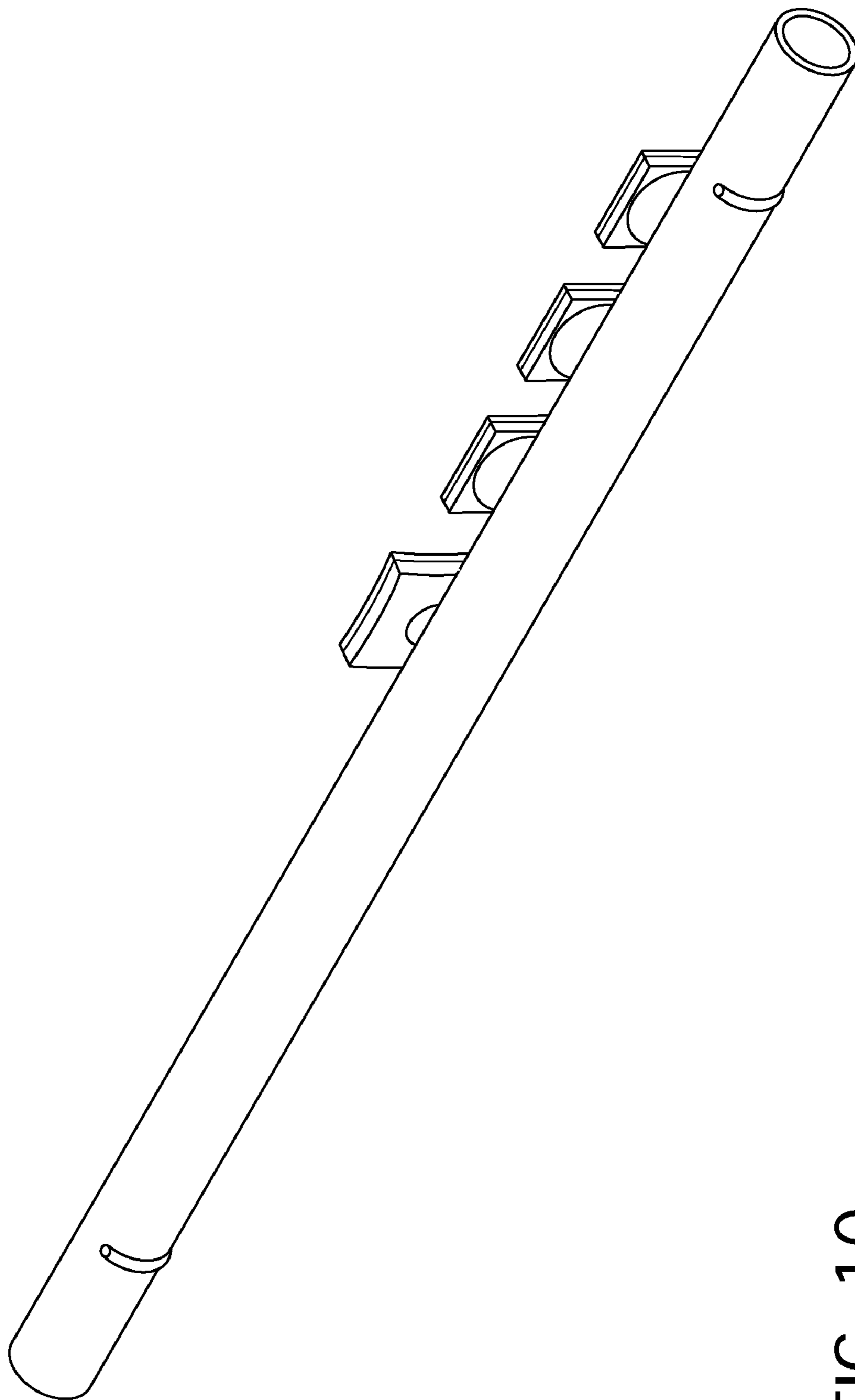


FIG. 10

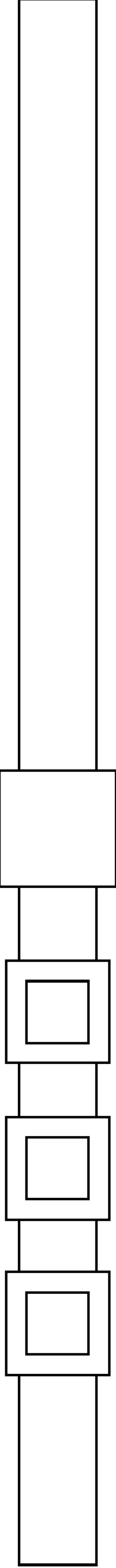


FIG. 11

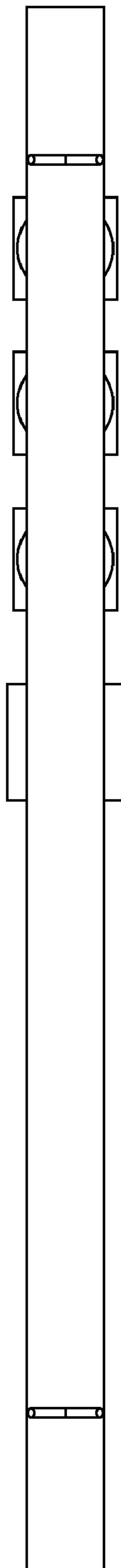


FIG. 12

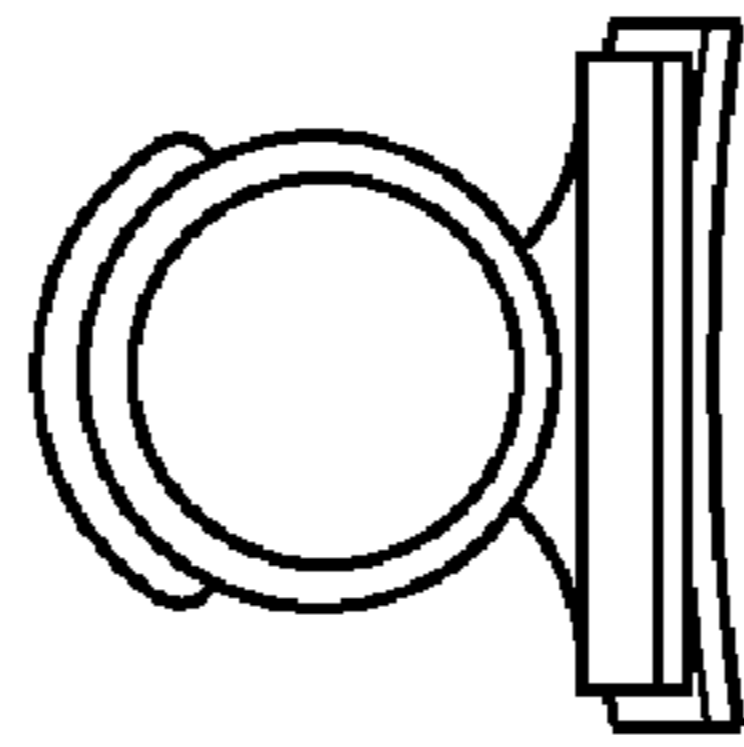


FIG. 13

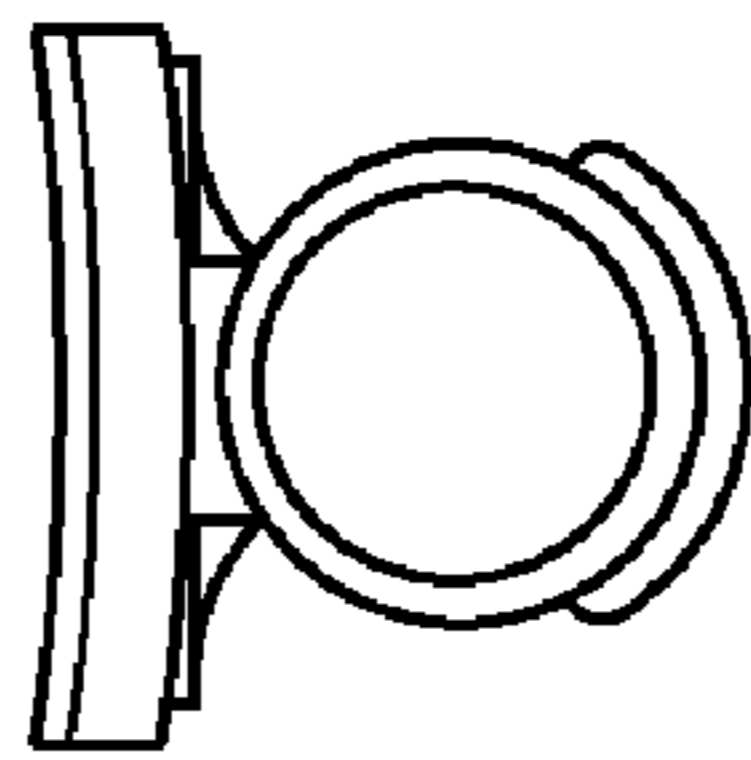


FIG. 14

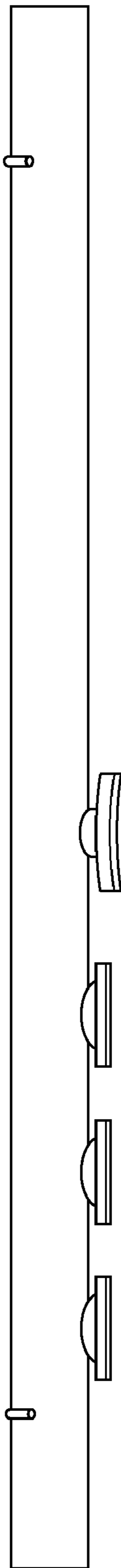


FIG. 15



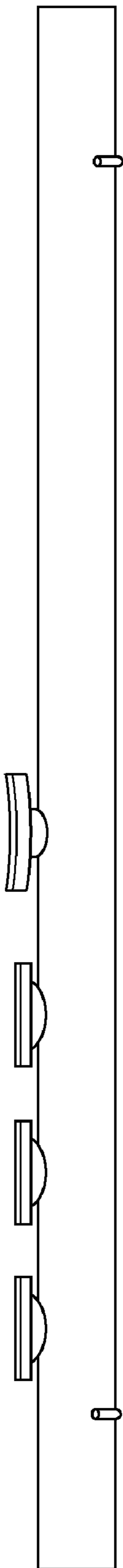


FIG. 16