



US00D598308S

(12) **United States Design Patent**  
**Gofer**

(10) **Patent No.:** **US D598,308 S**

(45) **Date of Patent:** **\*\* Aug. 18, 2009**

(54) **SPIRIT LEVEL DEVICE**

D573,908 S \* 7/2008 Levinson ..... D10/69

\* cited by examiner

(76) Inventor: **Nitsan Gofer**, Masad 29, Masad (IL)  
14990

*Primary Examiner*—Antoine D Davis

(\*\*) Term: **14 Years**

(57) **CLAIM**

(21) Appl. No.: **29/320,646**

The ornamental design for a spirit level device, as it is shown and described.

(22) Filed: **Jul. 1, 2008**

**DESCRIPTION**

(51) **LOC (9) Cl.** ..... **10-04**

FIG. 1 is a side view of the spirit level device of the design of the present invention.

(52) **U.S. Cl.** ..... **D10/69**

FIG. 2 is a top view of the spirit level device of the design of the present invention.

(58) **Field of Classification Search** ..... D10/69;  
33/365, 366.11–366.27, 367–391

FIG. 3 is a bottom view of the spirit level device of the design of the present invention.

See application file for complete search history.

FIG. 4 is an isometric view of the spirit level device of the design of the present invention; and,

(56) **References Cited**

**U.S. PATENT DOCUMENTS**

FIG. 5 is a front view of the spirit level device of the design of the present invention.

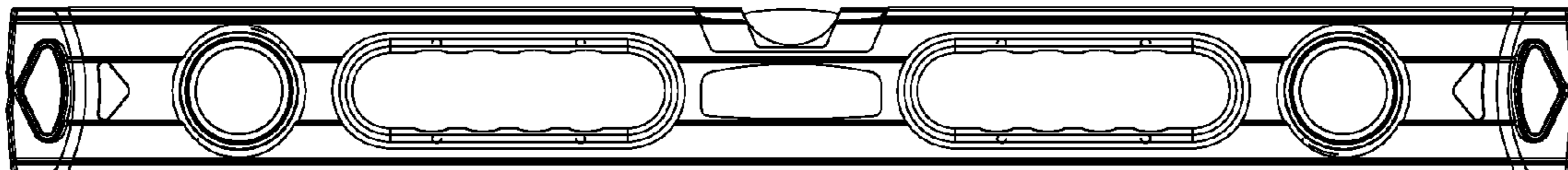
D459,251 S \* 6/2002 Scheyer ..... D10/69

D479,139 S \* 9/2003 Kallabis et al. .... D10/69

6,915,586 B2 \* 7/2005 Hickey ..... 33/382

7,228,637 B2 \* 6/2007 Kim ..... 33/451

**1 Claim, 1 Drawing Sheet**



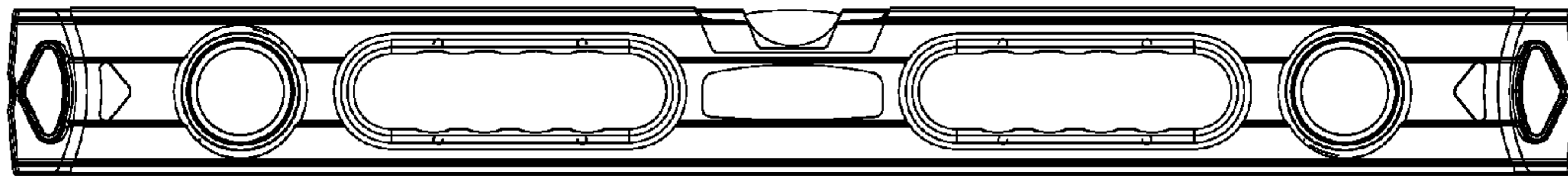


Fig. 1

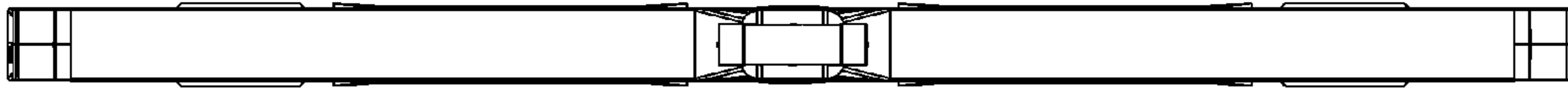


Fig. 2



Fig. 3

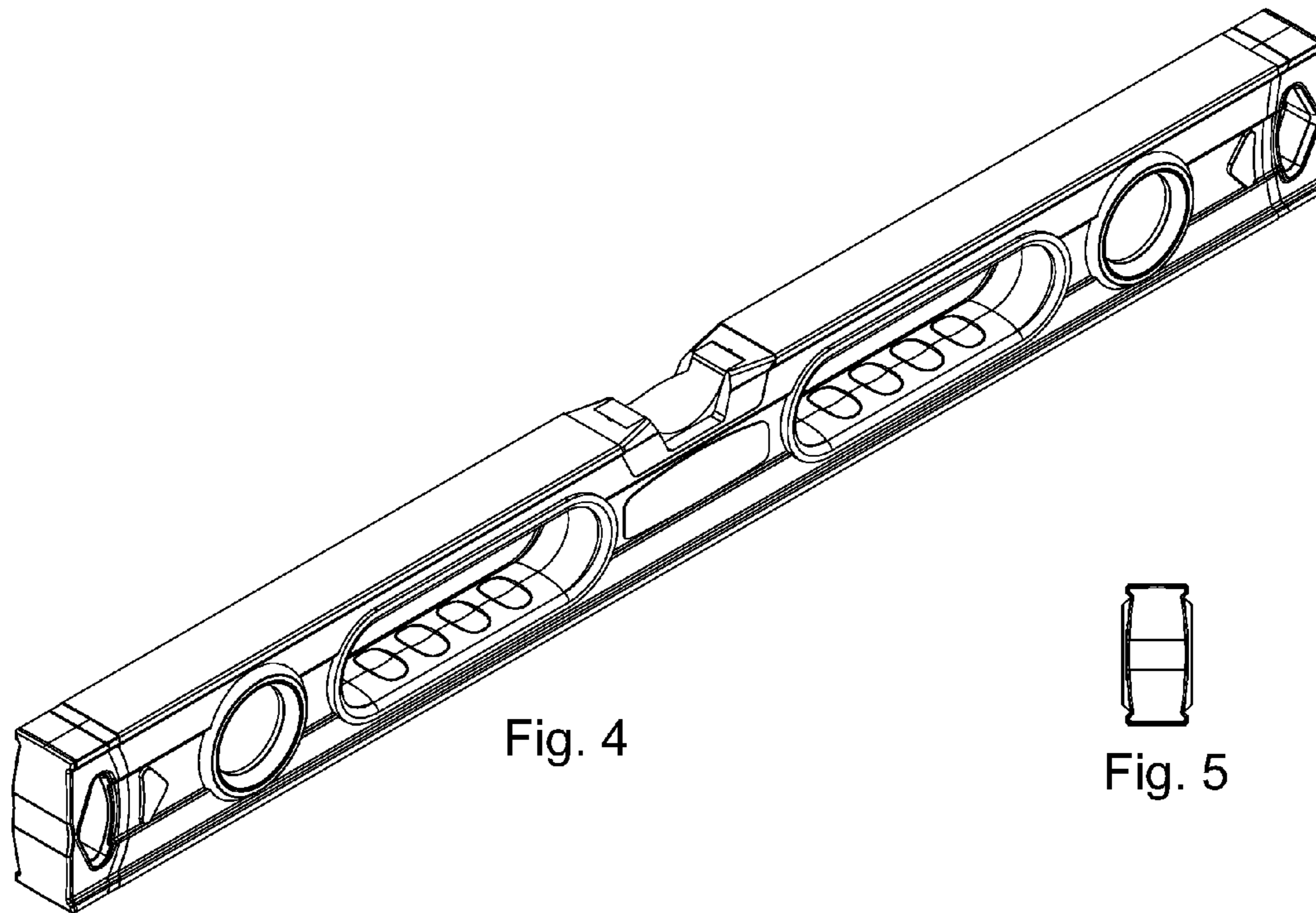


Fig. 4

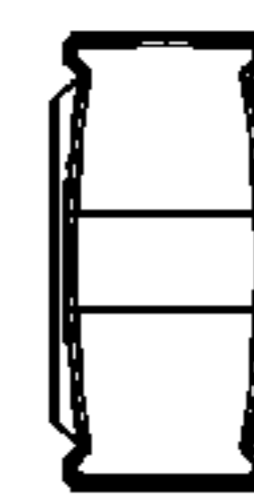


Fig. 5