



US00D598307S

(12) **United States Design Patent**
Wilbur

(10) **Patent No.:** **US D598,307 S**

(45) **Date of Patent:** **** Aug. 18, 2009**

(54) **ROLLER CHAIN WEAR GAUGE**

(75) Inventor: **John Richard Wilbur**, Bettendorf, IA (US)

(73) Assignee: **Drives, LLC**, Fulton, IL (US)

(**) Term: **14 Years**

(21) Appl. No.: **29/327,305**

(22) Filed: **Nov. 4, 2008**

Related U.S. Application Data

(63) Continuation of application No. 12/025,553, filed on Feb. 4, 2008.

(51) **LOC (9) Cl.** **10-04**

(52) **U.S. Cl.** **D10/65**

(58) **Field of Classification Search** D10/64,
D10/65; 33/563, 679.1, 810, 501.08, 555.1,
33/178 B, 517, 567, 567.1, 783, 501, 606,
33/600, 655, 1 BB, 501.05, 501.09, 202,
33/700, DIG. 14

See application file for complete search history.

(56) **References Cited**

U.S. PATENT DOCUMENTS

4,150,488	A	4/1979	Behnke	
4,365,420	A	12/1982	Walden	
4,888,876	A	12/1989	Meredith et al.	
5,199,180	A	4/1993	Yablonsky	
5,473,966	A *	12/1995	Cordon	33/563
6,178,824	B1	1/2001	Hayakawa et al.	
7,040,151	B2 *	5/2006	Graham et al.	33/600

OTHER PUBLICATIONS

International Searching Authority, Search Report for PCT/US2009/031531, Mar. 11, 2009, United States.

Roller Chain. Wikipedia: The Free Encyclopedia [online]. FL: Wikimedia Foundation, Inc. Jan. 14, 2008 [retrieved on Feb. 23, 2009]. Retrieved from the internet: <URL: <http://en.wikipedia.org/>

w/index.php?title=Roller_chain&diff=184198614&oldid=179605088>; “Wear” section; “Variants in Design” section. British Standard Roller Chain specifics, p. 26, Renold Jeffrey Roller Chain Catalog, <http://www.renoldjeffrey.com>. Rohloff Caliber 2 Product Information, © 2004, Rohloff AG, http://www.rohloff.de/fileadmin/rohloffde/download/beschreibung/caliber2/beschreibung_caliber_2.en.pdf. Brandt, Jobst, Chain Wear Measuring Tools, Jan. 2004, <http://www.pardo.net/bike/pic/fail-004/000.html>. Brown, Sheldon, Chain Maintenance, © 2007, <http://www.sheldonbrown.com/chains.html>. Park CC-3 Chain Checker at JensonUSA.com, © 2007, <http://www.jensonusa.com/store/product/TL605A00-Park+Cc-3+Chain+Checker.aspx>. Rohloff Caliber 2 Technical Specification, Rohloff AG, http://www.rohloff.de/en/products/caliber_2/.

* cited by examiner

Primary Examiner—Antoine D Davis

(74) *Attorney, Agent, or Firm*—Vedder Price, P.C.

(57) **CLAIM**

The ornamental design of the roller chain wear gauge, as shown and described.

DESCRIPTION

FIG. 1 is a perspective view of a first embodiment of a roller chain wear gauge;

FIG. 2 is a front view of the roller chain wear gauge of FIG. 1;

FIG. 3 is a back view of the roller chain wear gauge of FIG. 1, the back view being a mirror image of the front view shown in FIG. 2;

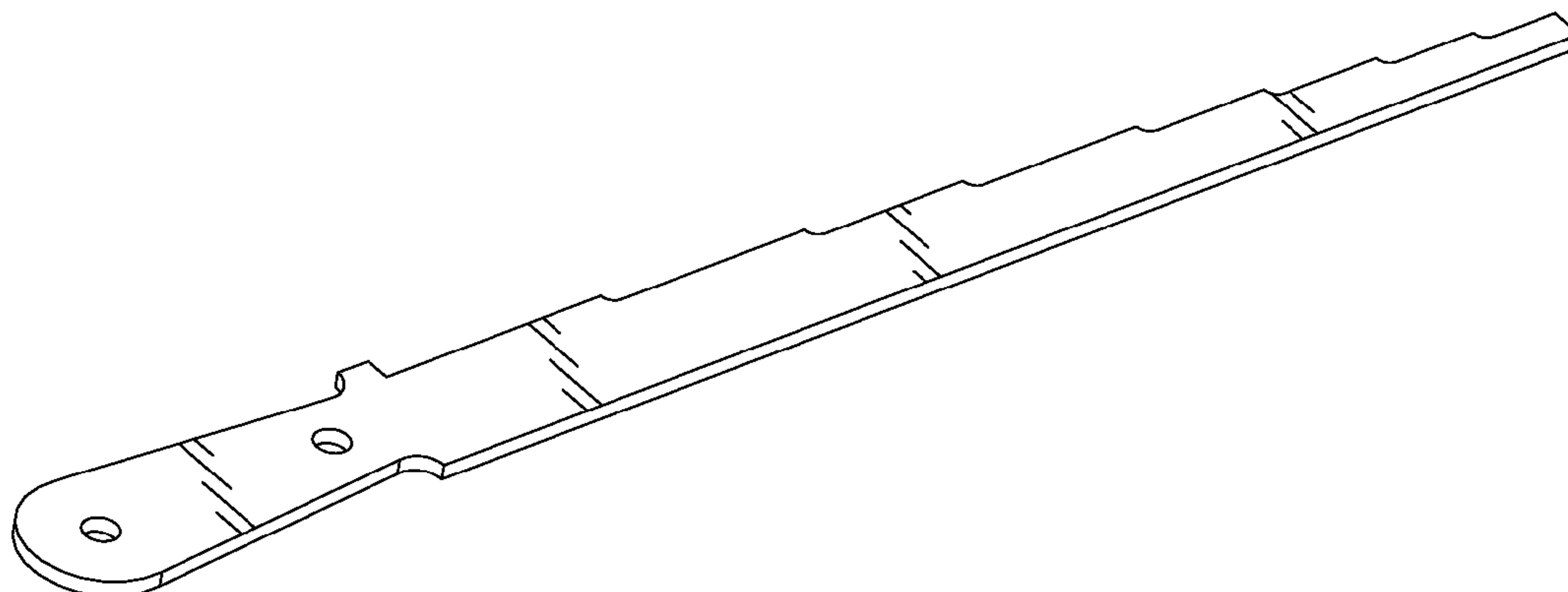
FIG. 4 is a left side view of the roller chain wear gauge, with respect to FIG. 2;

FIG. 5 is right side view of the roller chain wear gauge, with respect to FIG. 2;

FIG. 6 is a bottom view of the roller chain wear gauge, with respect to FIG. 2; and,

FIG. 7 is a top view of the roller chain wear gauge, with respect to FIG. 3.

1 Claim, 2 Drawing Sheets



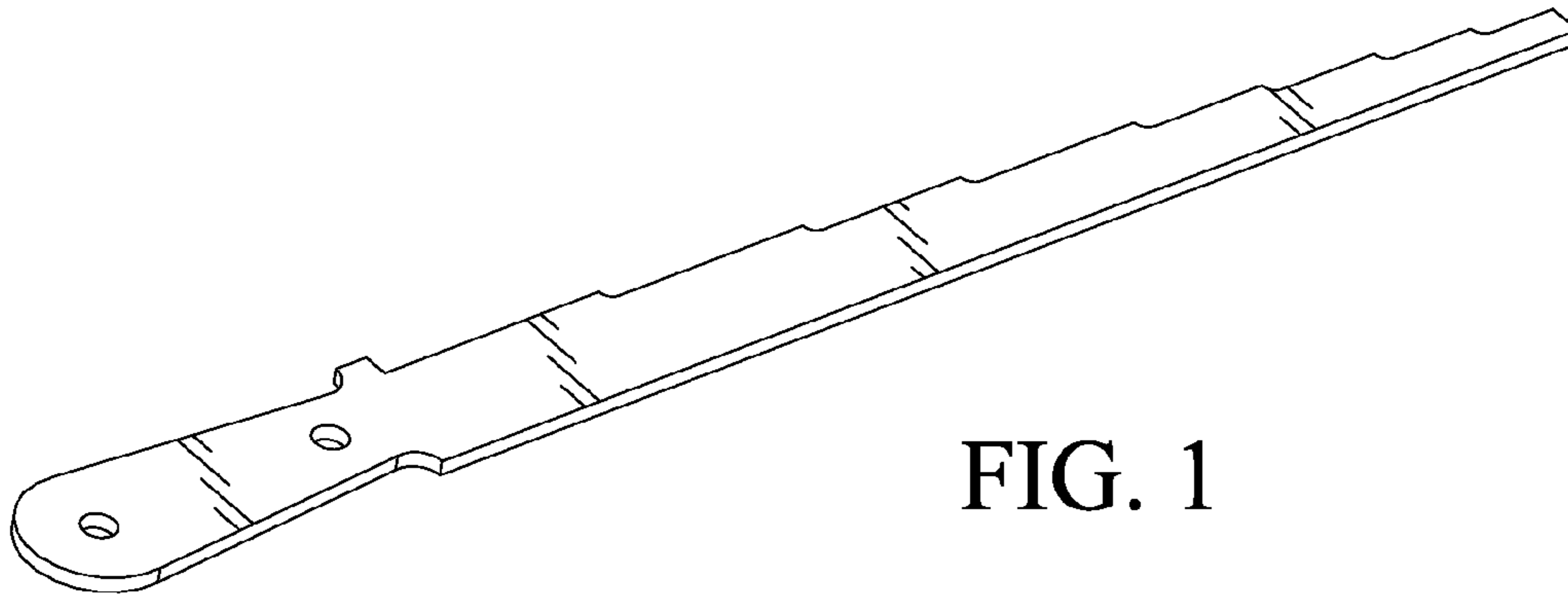


FIG. 1

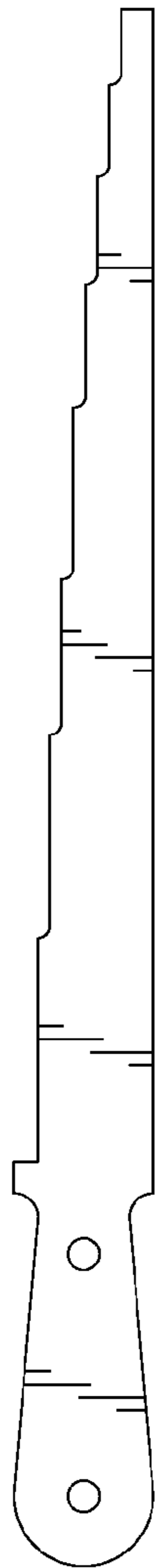


FIG. 2

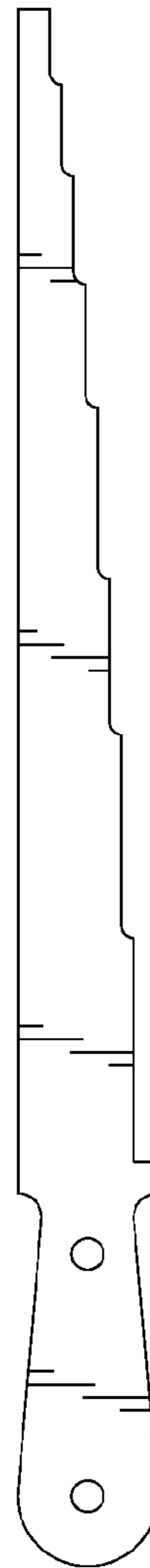


FIG. 3

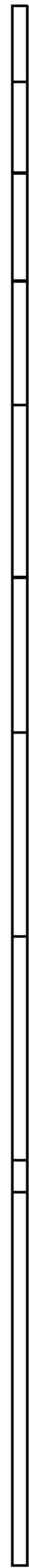


FIG. 4



FIG. 5

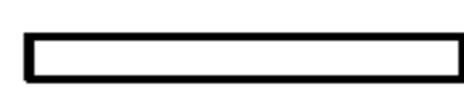


FIG. 6

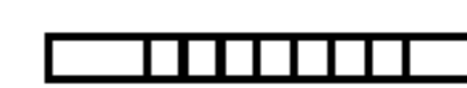


FIG. 7