



US00D598306S

(12) **United States Design Patent**
Chernin et al.

(10) **Patent No.:** **US D598,306 S**

(45) **Date of Patent:** **** Aug. 18, 2009**

(54) **HOUSING FOR A COMMUNICATION,
NAVIGATION, OR MEDIA DEVICE**

D469,367 S * 1/2003 Mirabelli et al. D10/65
D564,921 S * 3/2008 Cheng D10/65
2007/0060214 A1 * 3/2007 Sung et al. 455/575.1

(75) Inventors: **Ophir S. Chernin**, Bet Shemesh (IL);
Hoshea Maccabi, Modi'in (IL); **Yoshi Mizrahi**, Rishon-Letziion (IL); **Emanuel Wolfson**, Arad (IL)

* cited by examiner

Primary Examiner—Antoine D Davis
(74) *Attorney, Agent, or Firm*—Lalita W. Pace; Anthony P. Curtis

(73) Assignee: **Motorola, Inc.**, Schaumburg, IL (US)

(**) Term: **14 Years**

(57) **CLAIM**

(21) Appl. No.: **29/283,318**

The ornamental design for a housing for a communication, navigation, or media device, as shown and described.

(22) Filed: **Aug. 10, 2007**

DESCRIPTION

(51) **LOC (9) Cl.** **10-04**

FIG. 1 is a perspective view of a first embodiment of an ornamental design for a housing for a communication, navigation, or media device.

(52) **U.S. Cl.** **D10/65**

FIG. 2 is a front view of the first embodiment thereof.

(58) **Field of Classification Search** D10/65,

FIG. 3 is a rear view of the first embodiment thereof.

D10/78; D14/347; 342/351, 419, 457, 357.06–357.13;
343/702; 345/87, 104, 133, 156, 168, 173,
345/901–905; 348/180, 184, 315, 739; 364/444,
364/499; 701/206–209, 213, 214

FIG. 4 is a first side view of the first embodiment thereof.

See application file for complete search history.

FIG. 5 is a second side view of the first embodiment thereof.

(56) **References Cited**

FIG. 6 is a top view of the first embodiment thereof; and,

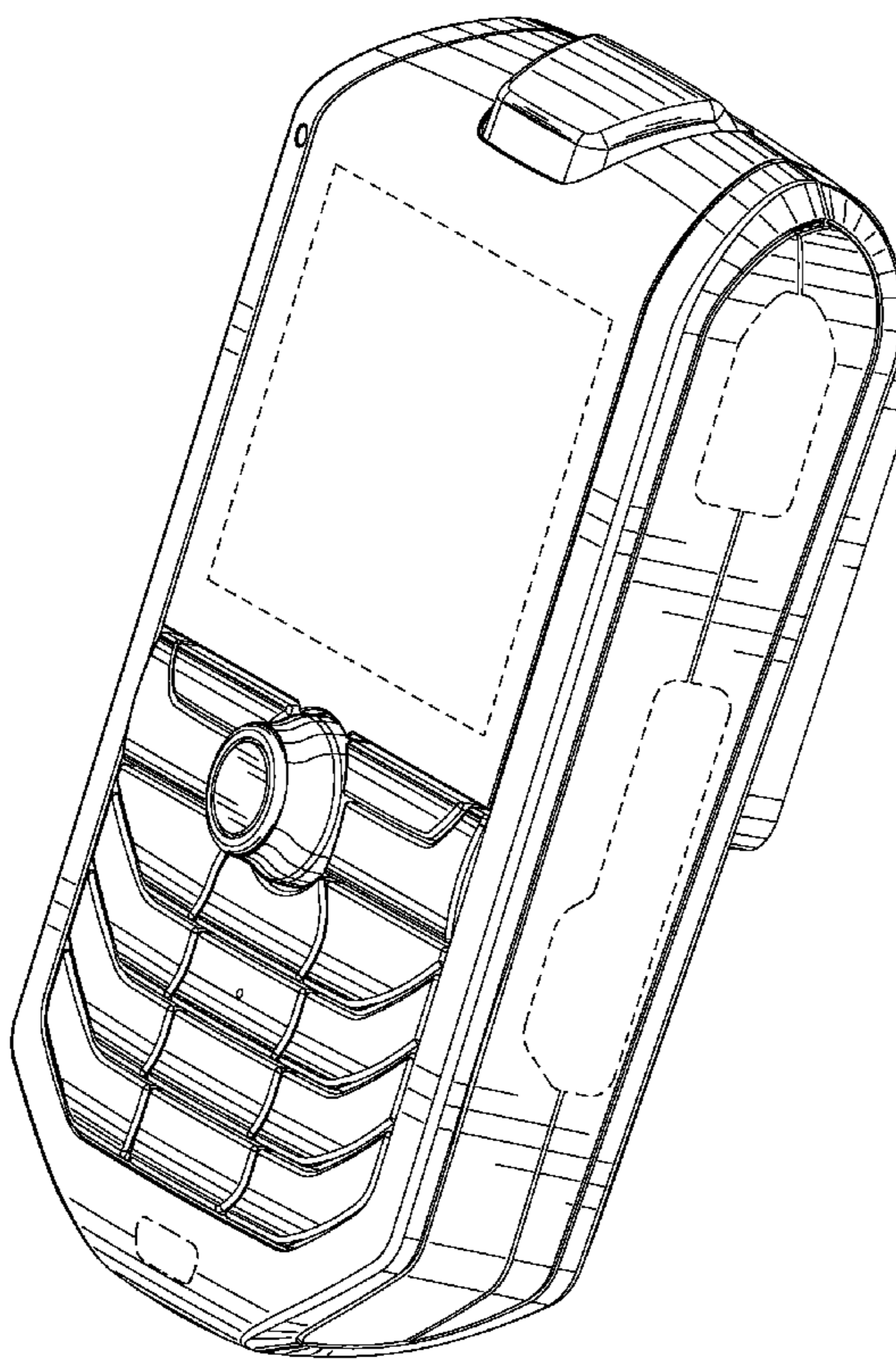
U.S. PATENT DOCUMENTS

FIG. 7 is a bottom view of the first embodiment thereof.

D359,920 S * 7/1995 Sakamoto D10/65
D365,032 S * 12/1995 Laverick et al. D10/65
D402,572 S * 12/1998 Han D10/65
D426,481 S * 6/2000 Laverick D10/65
D440,505 S * 4/2001 Laverick D10/65

The broken lines shown in FIGS. 1–7 are included for the purpose of illustrating environmental elements only and form no part of the claimed design.

1 Claim, 5 Drawing Sheets



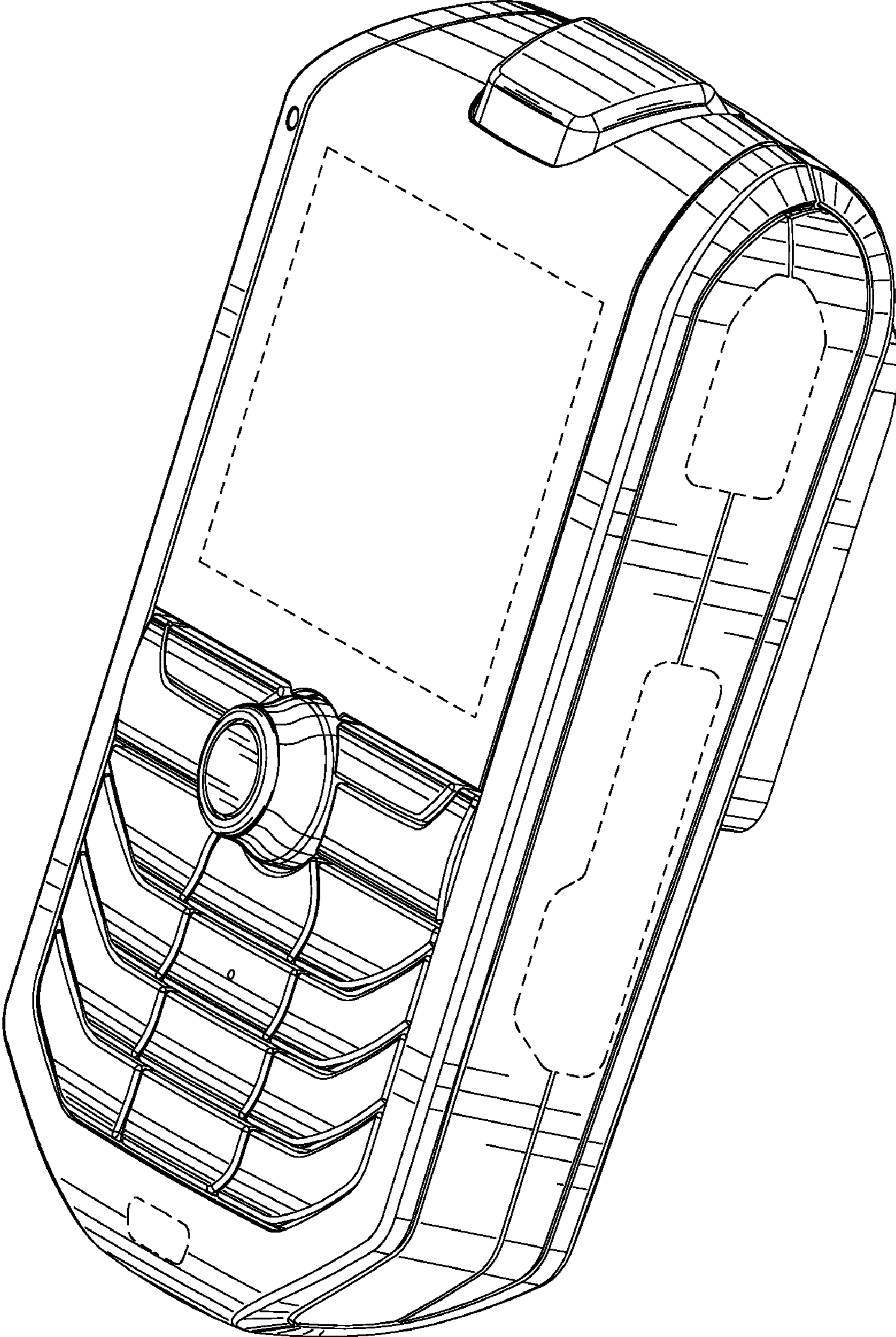


FIG. 1

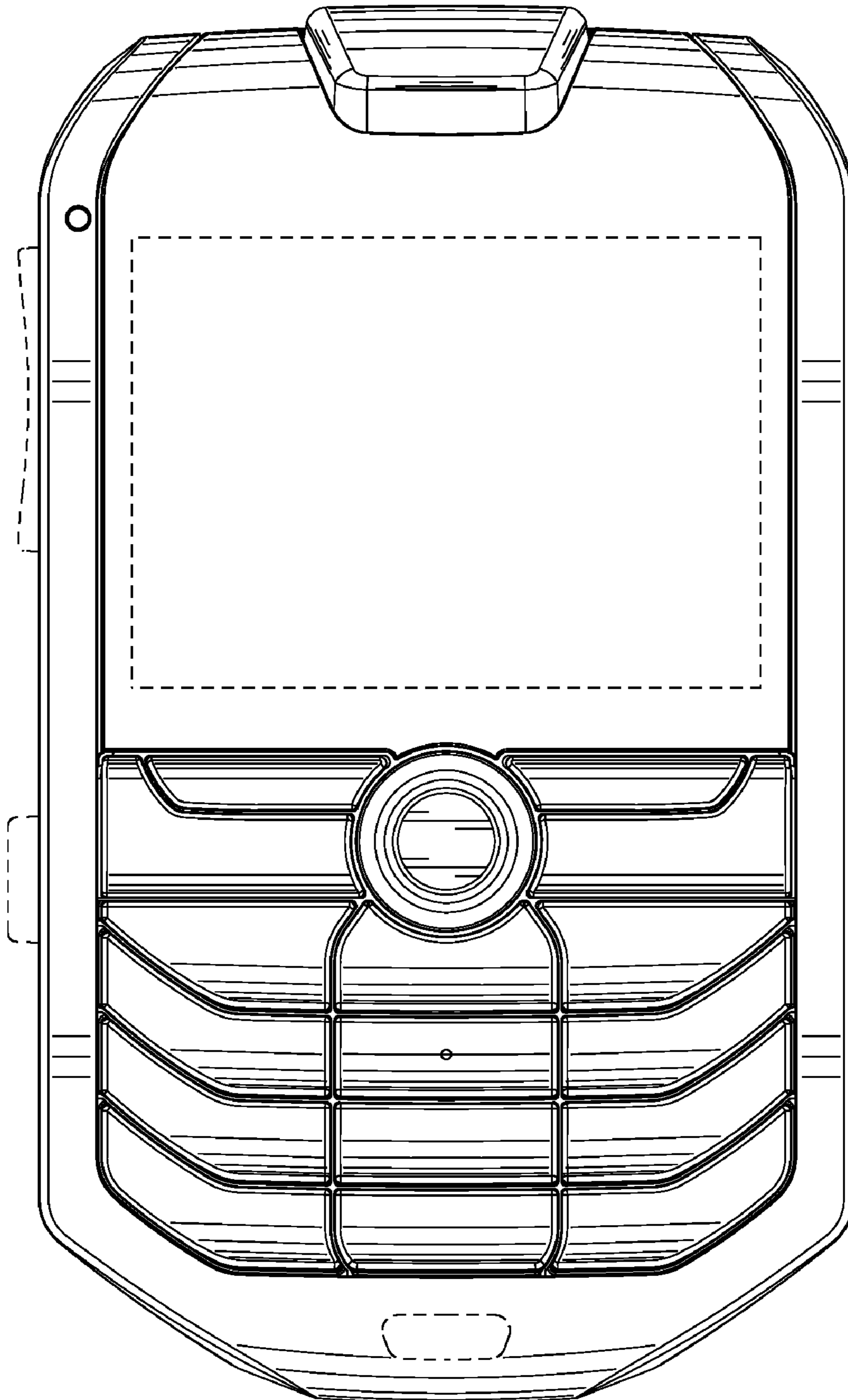


FIG. 2

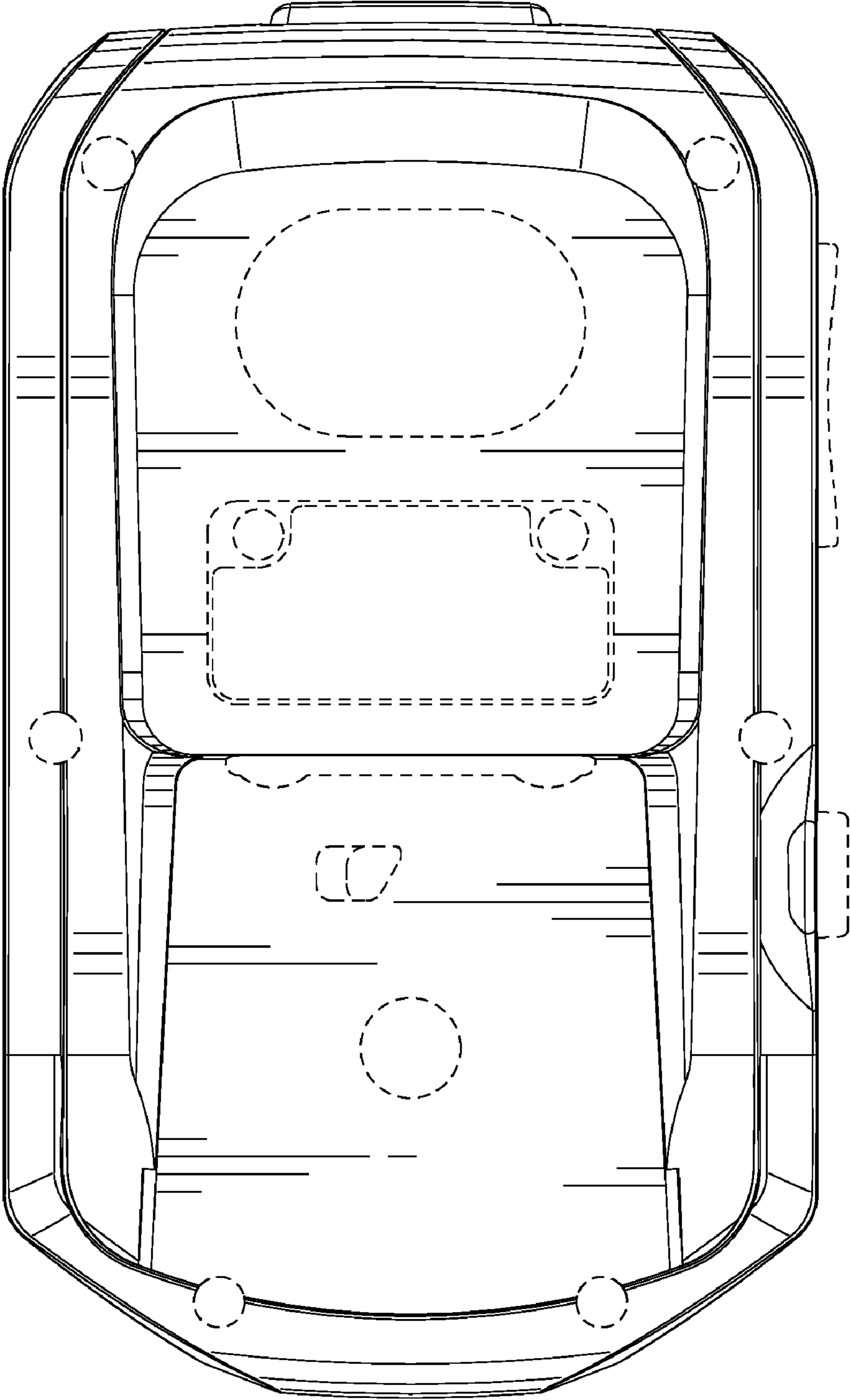


FIG. 3

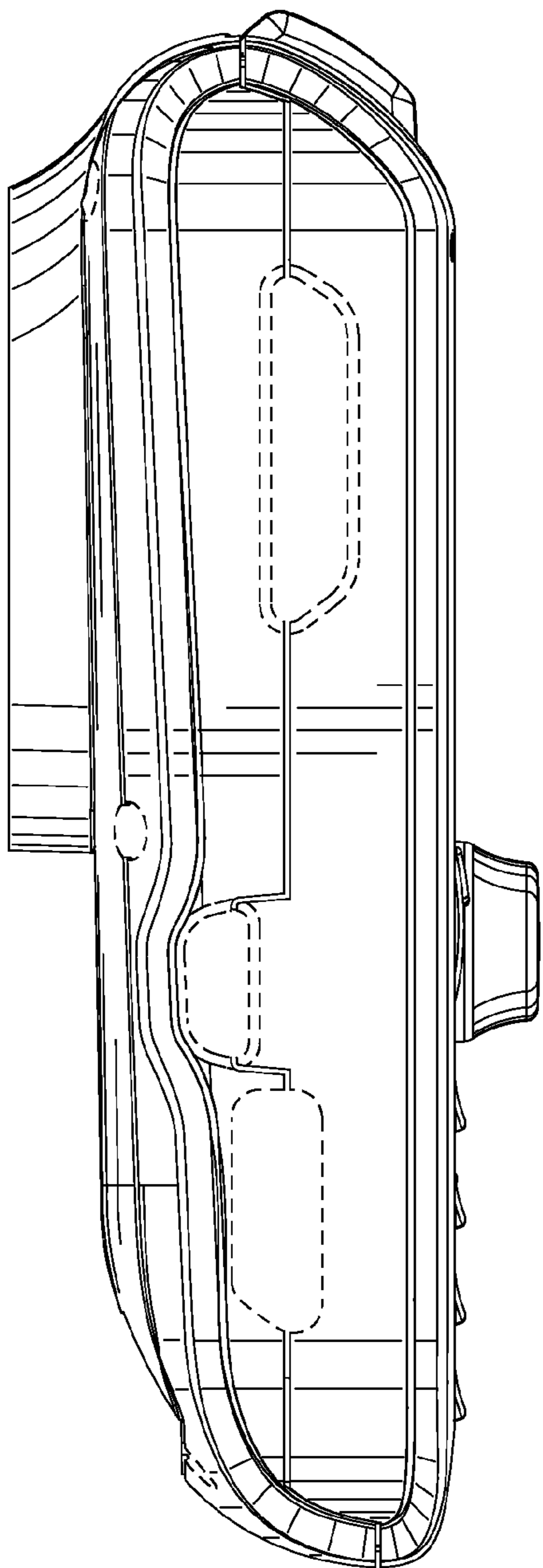


FIG. 4

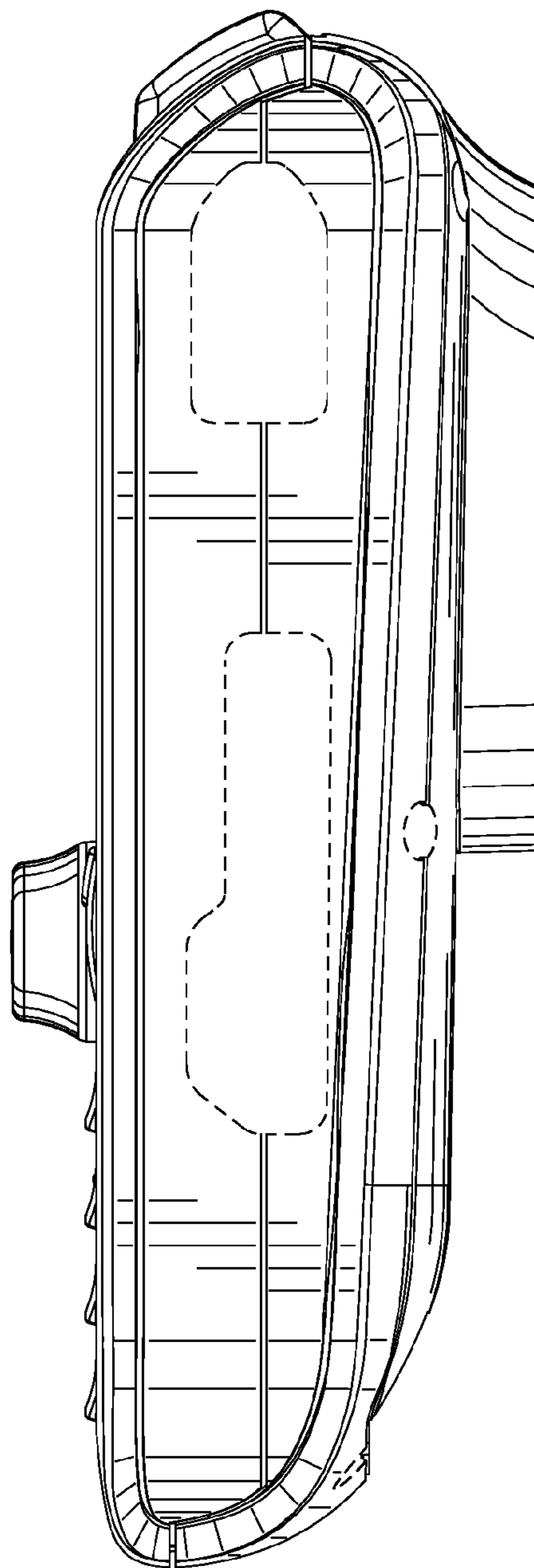


FIG. 5

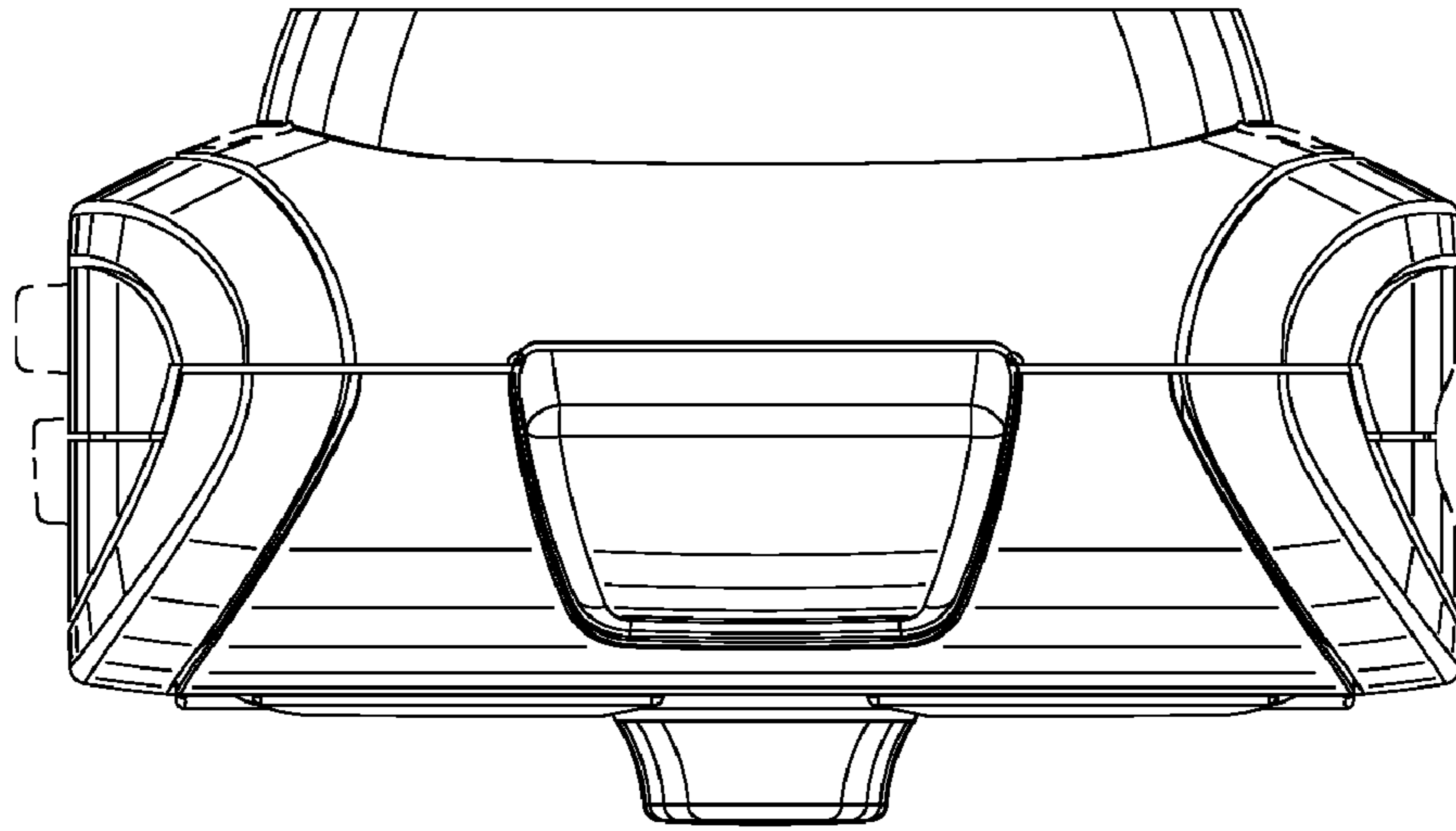


FIG. 6

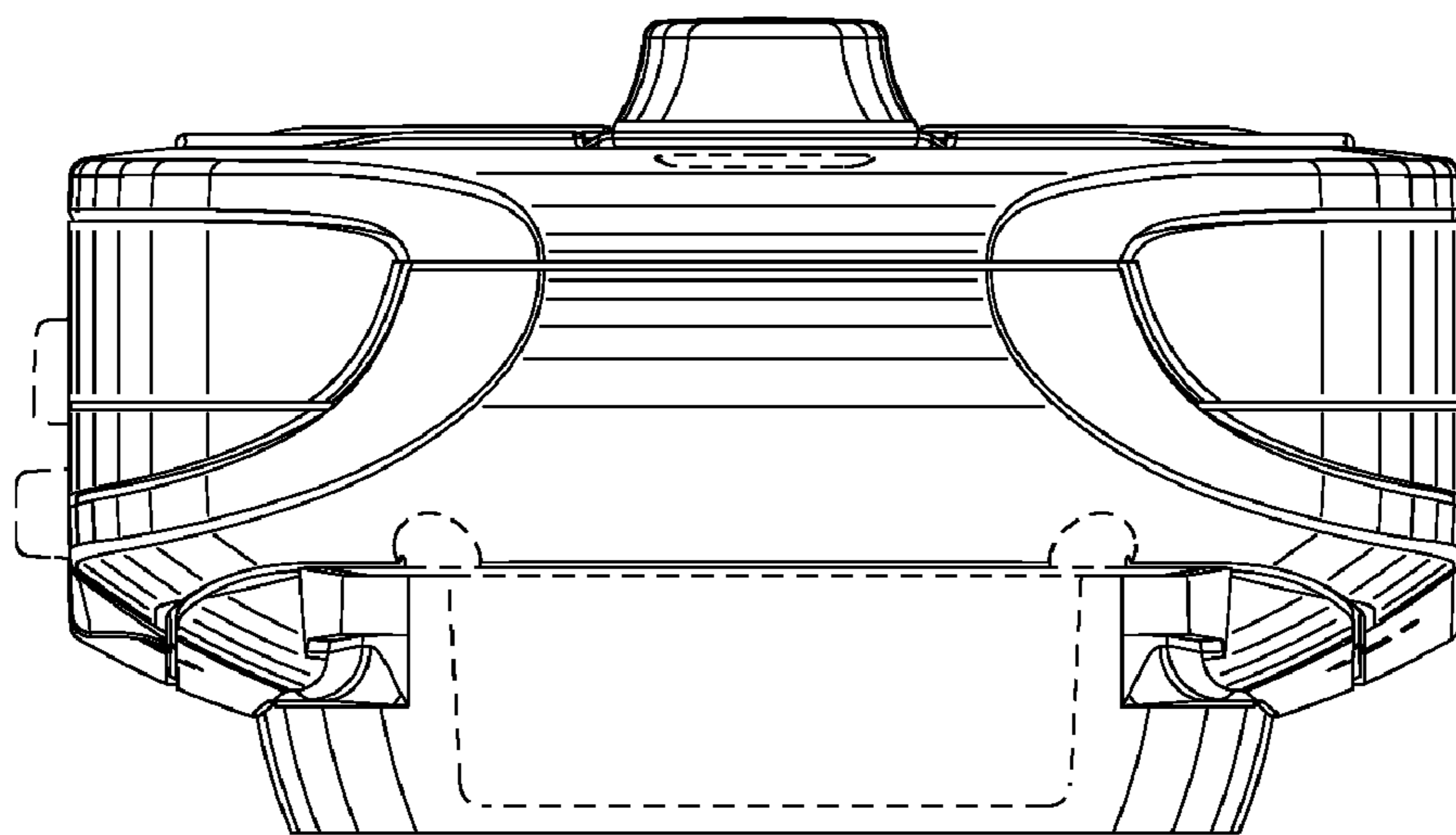


FIG. 7