



US00D598305S

(12) **United States Design Patent**
Li et al.

(10) **Patent No.:** **US D598,305 S**

(45) **Date of Patent:** **** Aug. 18, 2009**

(54) **THERMOSTAT FACEPLATE**

(75) Inventors: **Haiqing Li**, Beijing (CN); **Maria Hernandez**, Doral, FL (US)

(73) Assignee: **eAir, LLC**, Medley, FL (US)

(**) Term: **14 Years**

(21) Appl. No.: **29/319,621**

(22) Filed: **Jun. 11, 2008**

(51) **LOC (9) Cl.** **10-04**

(52) **U.S. Cl.** **D10/50; D10/60; D10/103**

(58) **Field of Classification Search** D10/49-50,
D10/60, 103; 236/5, 46 R-46 F, 47, 49.3,
236/51, 84, 94; 340/7.21-7.24, 7.32, 825.6,
340/825.72, 539.1, 539.14, 539.21, 539.26,
340/426.21, 584.589, 870.17; 374/167; 400/485;
455/420, 226.1

See application file for complete search history.

(56) **References Cited**

U.S. PATENT DOCUMENTS

6,208,263	B1	3/2001	Strand	
6,373,376	B1	4/2002	Adams et al.	
6,448,901	B1	9/2002	Adams et al.	
6,926,076	B2	8/2005	Blomgren	
D509,151	S *	9/2005	Takach et al.	D10/50
D535,572	S *	1/2007	Takach et al.	D10/50
D556,061	S *	11/2007	Rosen	D10/50
RE40,190	E *	4/2008	Takach et al.	D10/50

D579,798	S *	11/2008	Kachlick et al.	D10/50
2004/0262410	A1 *	12/2004	Hull	236/91 R
2006/0102732	A1 *	5/2006	Garrett et al.	236/94

OTHER PUBLICATIONS

Honeywell Vision Pro 8000 User Manual.

* cited by examiner

Primary Examiner—Antoine D Davis

(74) *Attorney, Agent, or Firm*—Loren Donald Pearson; Fleit Gibbons Gutman Bongini & Bianco P.L.

(57) **CLAIM**

The ornamental design for a thermostat faceplate, as shown and described.

DESCRIPTION

FIG. 1 is a front perspective view of the thermostat faceplate.

FIG. 2 is a front side view thereof.

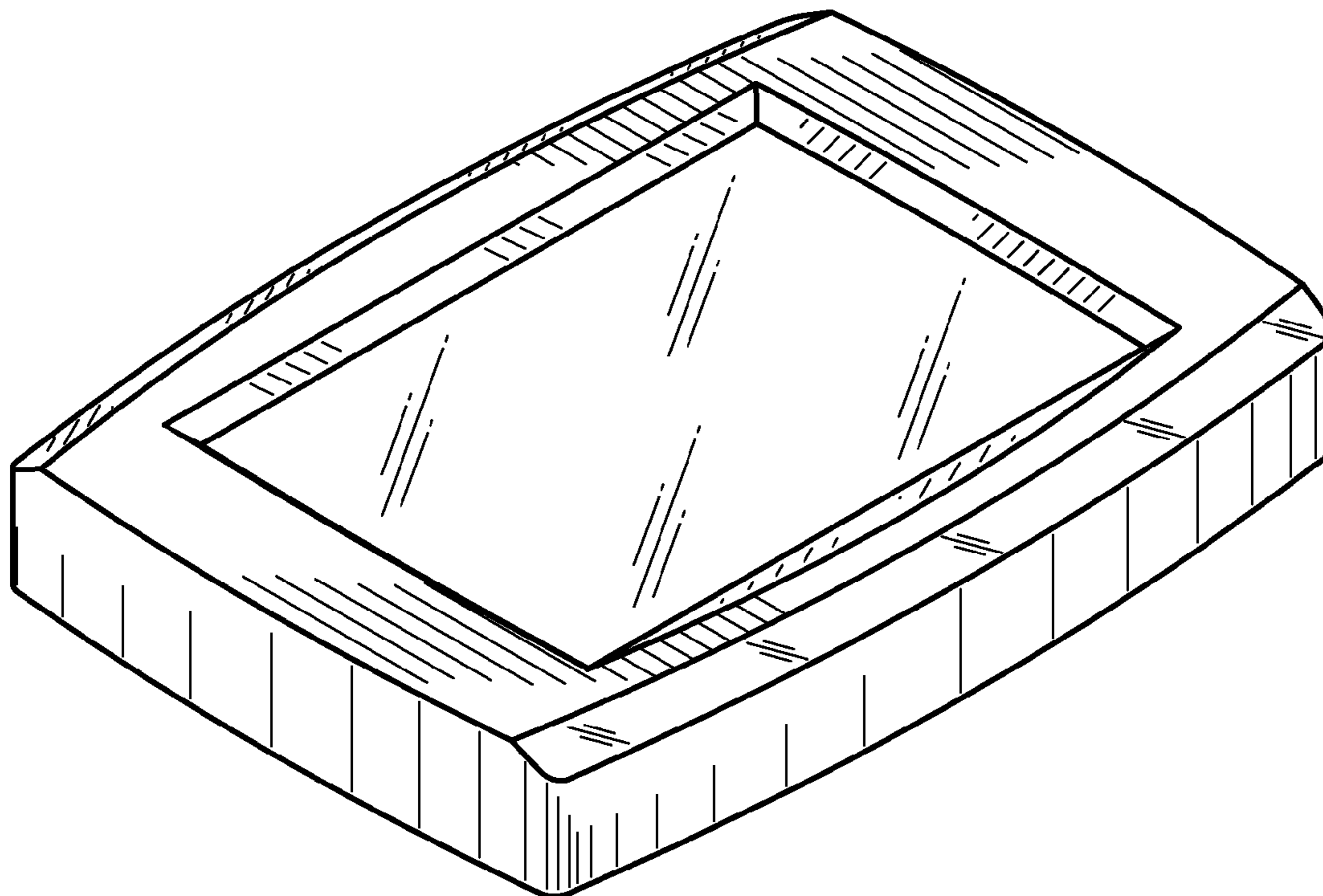
FIG. 3 is a bottom side view thereof, which is identical to the top side view; and,

FIG. 4 is a right side view thereof, which is identical to the left side view.

The rear of the thermostat faceplate is not part of the claimed design.

Characteristic features of the design that are considered b applicant to a feature of novelty or nonobvious include the curved indentation beneath the opening.

1 Claim, 2 Drawing Sheets



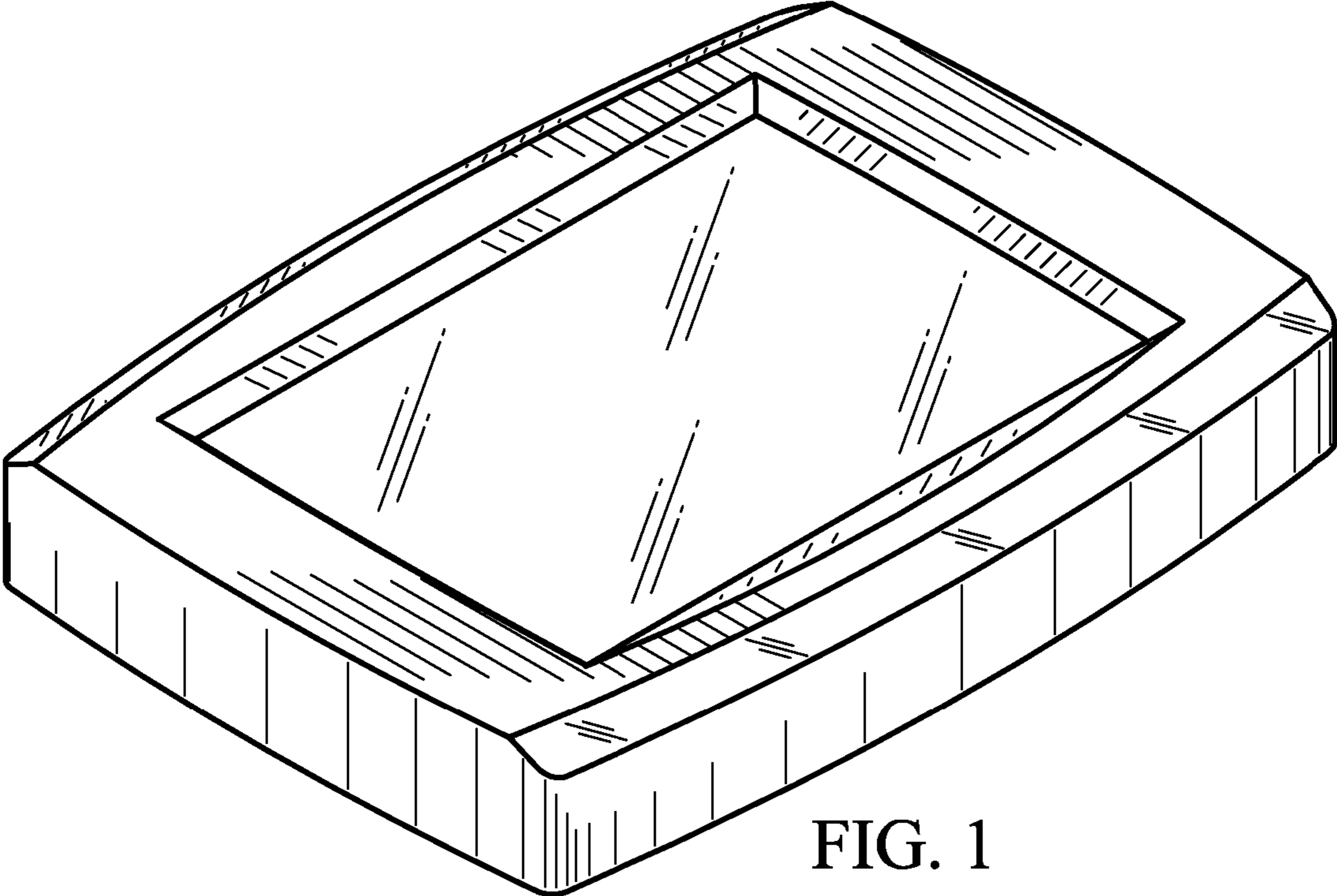


FIG. 1

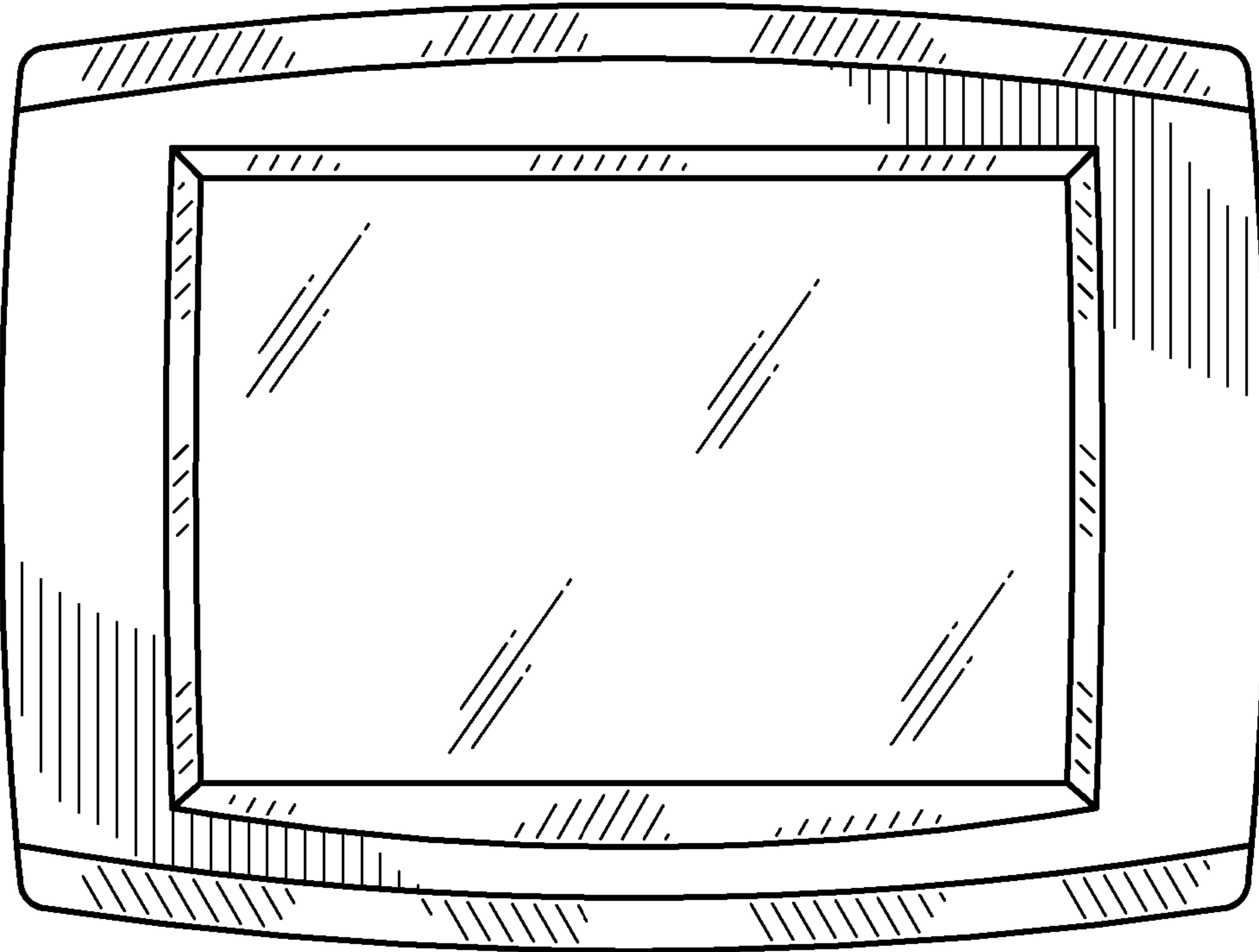


FIG. 2

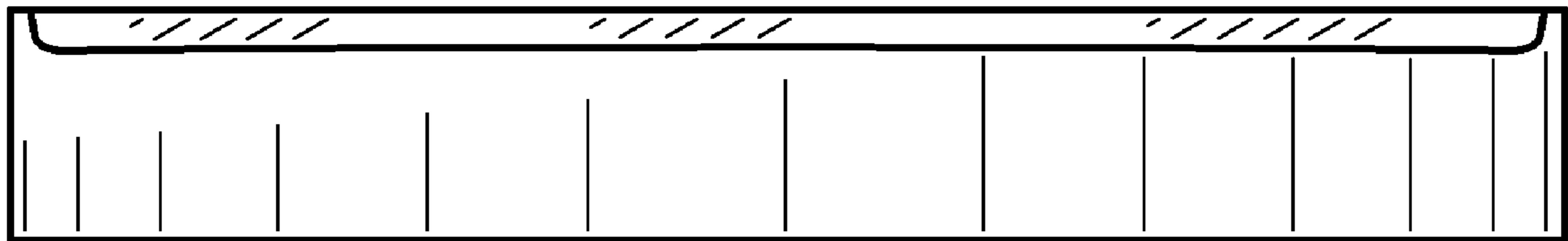


FIG. 3

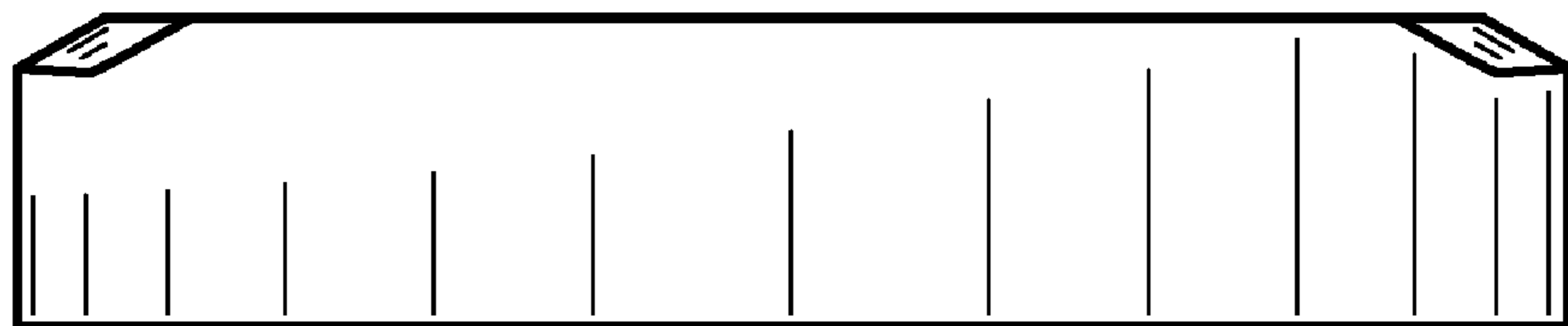


FIG. 4