



US00D598304S

(12) **United States Design Patent**  
**Belamich**

(10) **Patent No.:** **US D598,304 S**

(45) **Date of Patent:** **\*\* Aug. 18, 2009**

(54) **WATCH**

(75) **Inventor:** **Bruno Belamich, Paris (FR)**

(73) **Assignee:** **Bell & Ross B.V., Zoetermeer (NL)**

(\*\*) **Term:** **14 Years**

(21) **Appl. No.:** **29/325,129**

(22) **Filed:** **Sep. 25, 2008**

(30) **Foreign Application Priority Data**

Mar. 26, 2008 (EM) ..... 000903448-0005

(51) **LOC (9) Cl.** ..... **10-02**

(52) **U.S. Cl.** ..... **D10/39**

(58) **Field of Classification Search** ..... D10/30-39,  
D10/122-132; 368/276, 281, 282, 285, 80,  
368/223, 232, 228, 21, 28

See application file for complete search history.

(56) **References Cited**

**U.S. PATENT DOCUMENTS**

D80,307 S *	1/1930	Conant	.....	D10/38
2,232,300 A *	2/1941	Arbey	.....	368/228
D202,061 S *	8/1965	Montese-Caruso	.....	D10/38
3,395,531 A *	8/1968	Caprara	.....	368/291
4,218,873 A *	8/1980	Lang	.....	368/281
D287,470 S *	12/1986	Houlihan	.....	D10/30
D317,871 S *	7/1991	Applegate, Jr.	.....	D10/30
D340,872 S *	11/1993	Schwarz	.....	D10/39
D368,433 S *	4/1996	Schulze	.....	D10/39
D405,375 S *	2/1999	Chodat	.....	D10/39
6,587,400 B1 *	7/2003	Line	.....	368/88
D520,384 S *	5/2006	Scheufele	.....	D10/39

D531,524 S *	11/2006	Behling	.....	D10/38
D537,371 S *	2/2007	Belamich	.....	D10/39
D565,972 S *	4/2008	Rochat	.....	D10/39
D568,181 S *	5/2008	Rabassa	.....	D10/39
D577,611 S *	9/2008	Lalo	.....	D10/32
D578,412 S *	10/2008	Belamich	.....	D10/39

\* cited by examiner

*Primary Examiner*—Lucy Lieberman

(74) *Attorney, Agent, or Firm*—Jeffer Mangels Butler & Marmaro LLP

(57) **CLAIM**

The ornamental design for a watch, as shown and described.

**DESCRIPTION**

FIG. 1 is a perspective view of the present invention;

FIG. 2 is a front elevational view of the present invention shown in FIG. 1;

FIG. 3 is a top plan view of the present invention shown in FIG. 1;

FIG. 4 is a bottom plan view of the present invention shown in FIG. 1;

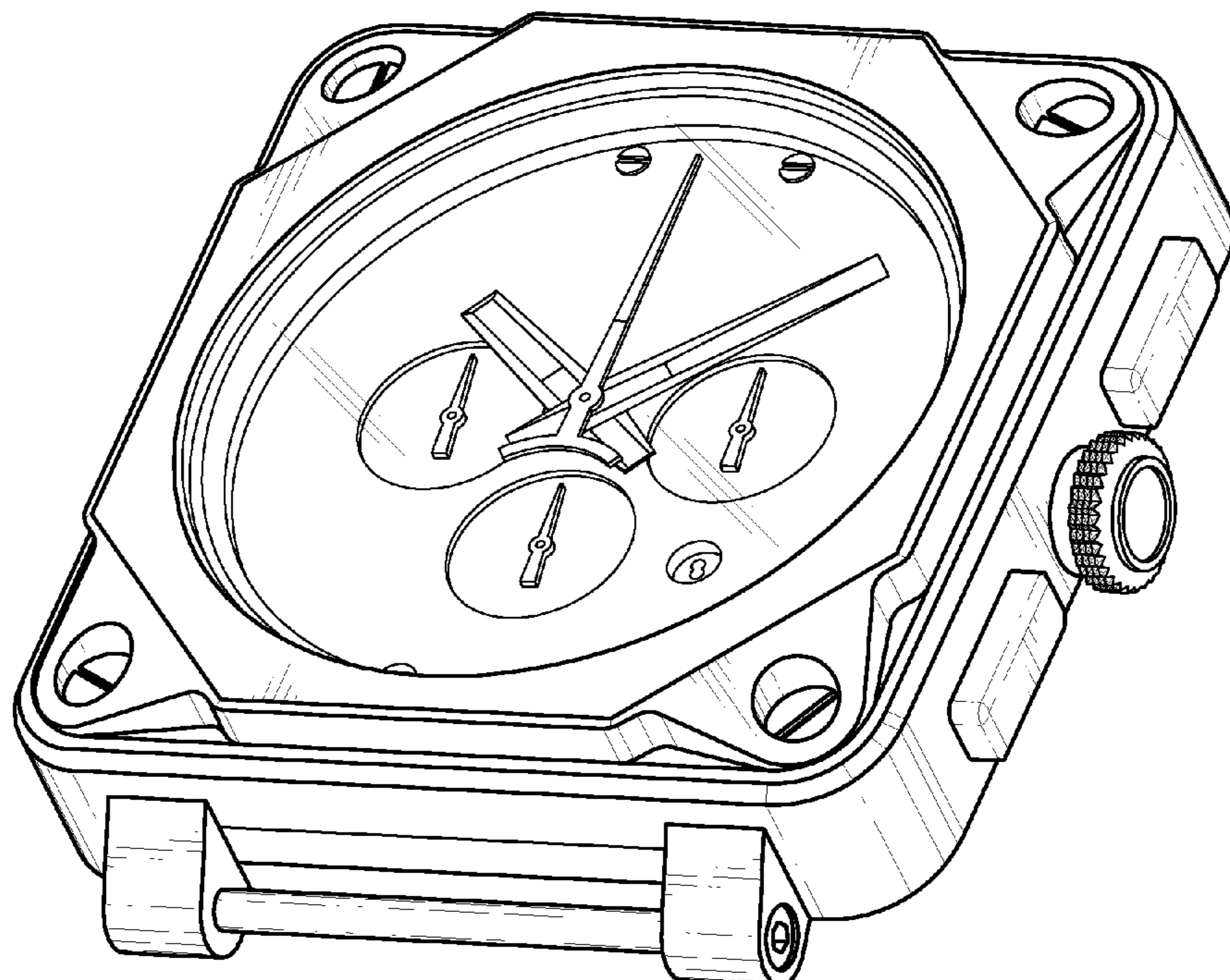
FIG. 5 is a right side elevational view of the present invention shown in FIG. 1;

FIG. 6 is a left side elevational view of the present invention shown in FIG. 1; and,

FIG. 7 is a rear elevational view of the present invention shown in FIG. 1.

The broken lines shown in FIG. 7 are for illustrative purposes only and form no part of the claimed design.

**1 Claim, 5 Drawing Sheets**



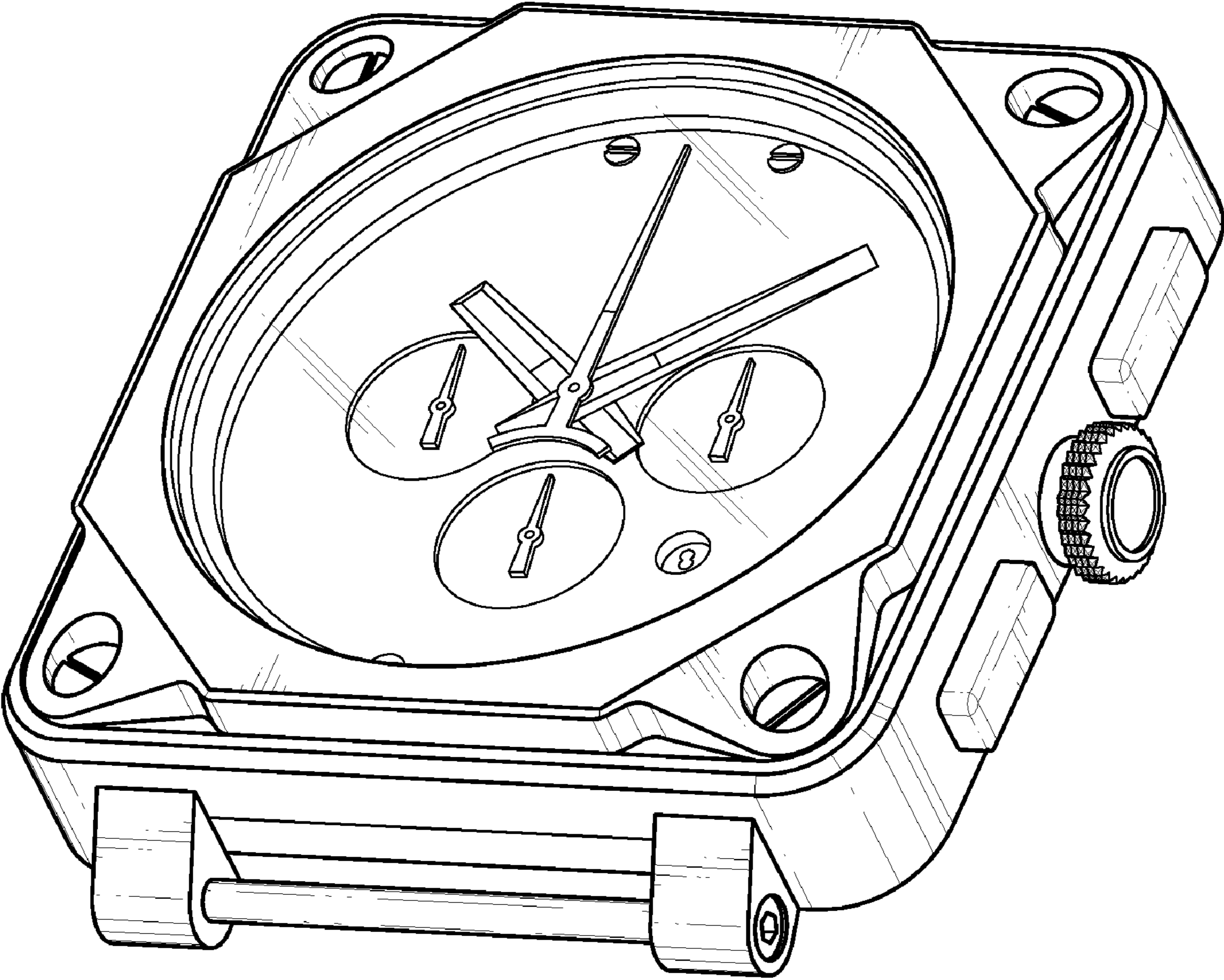


FIG. 1

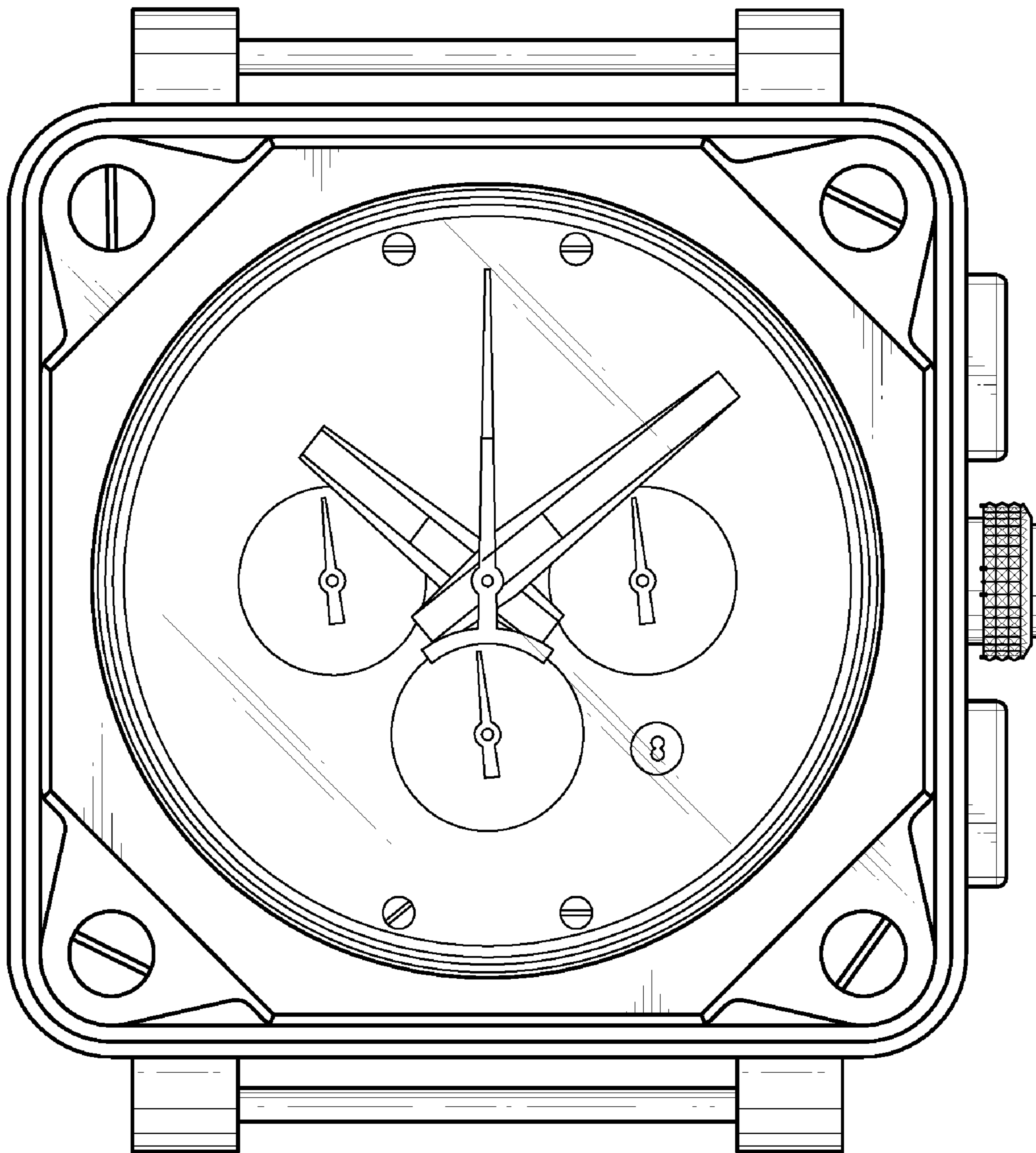


FIG. 2

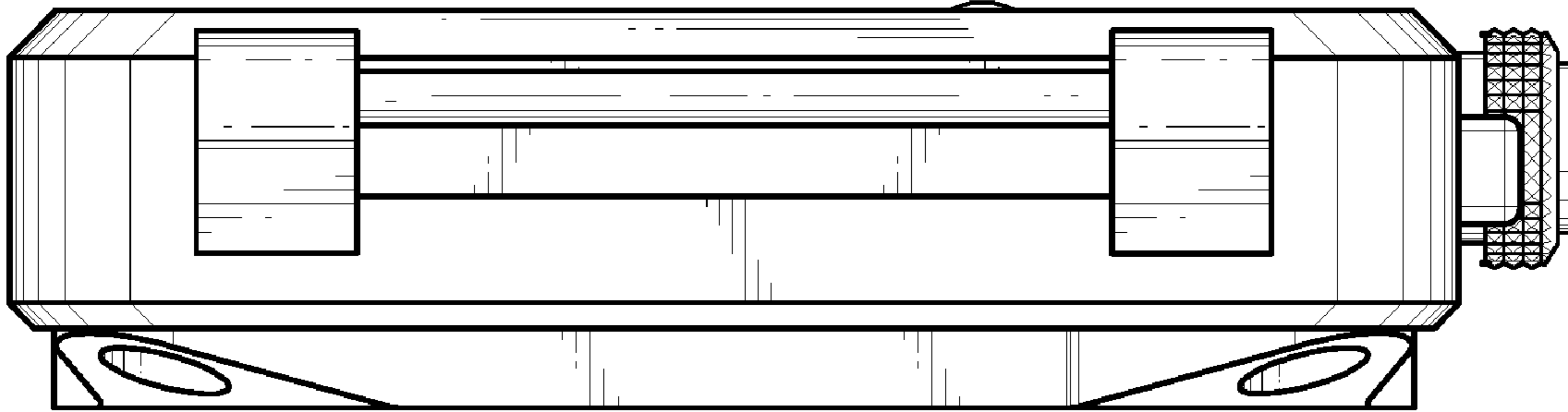


FIG. 3

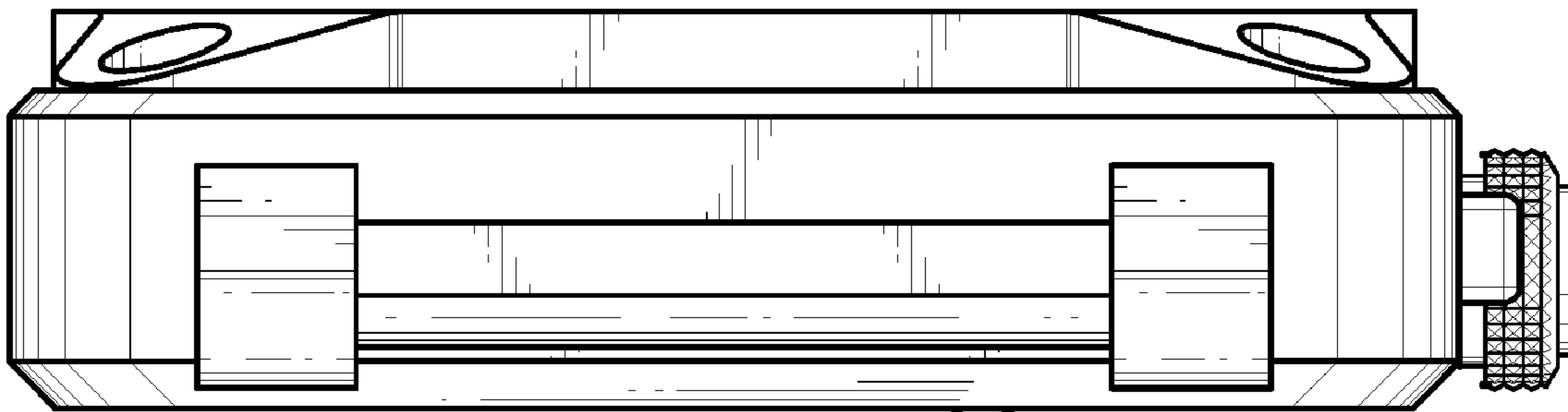


FIG. 4

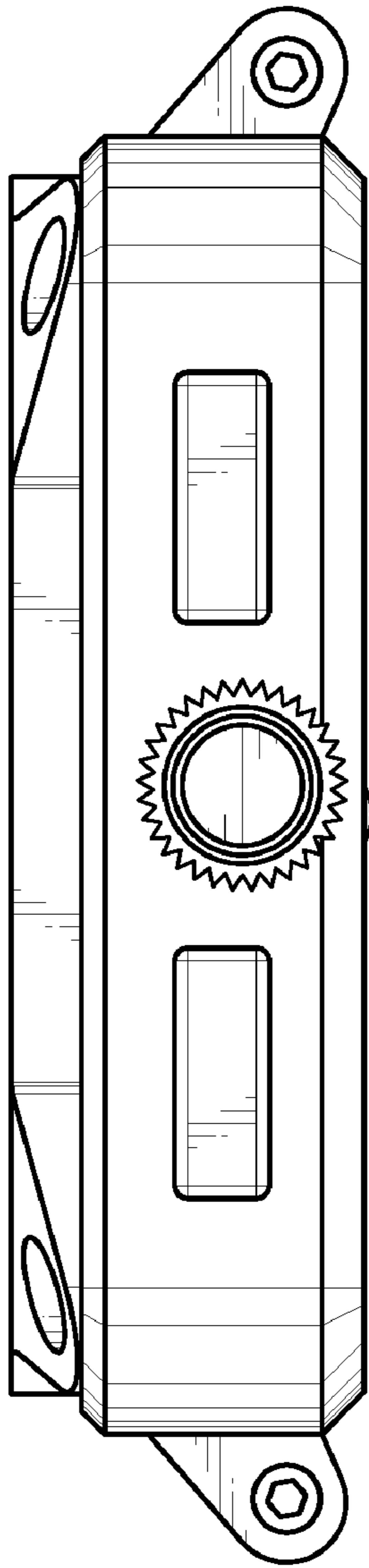


FIG. 5

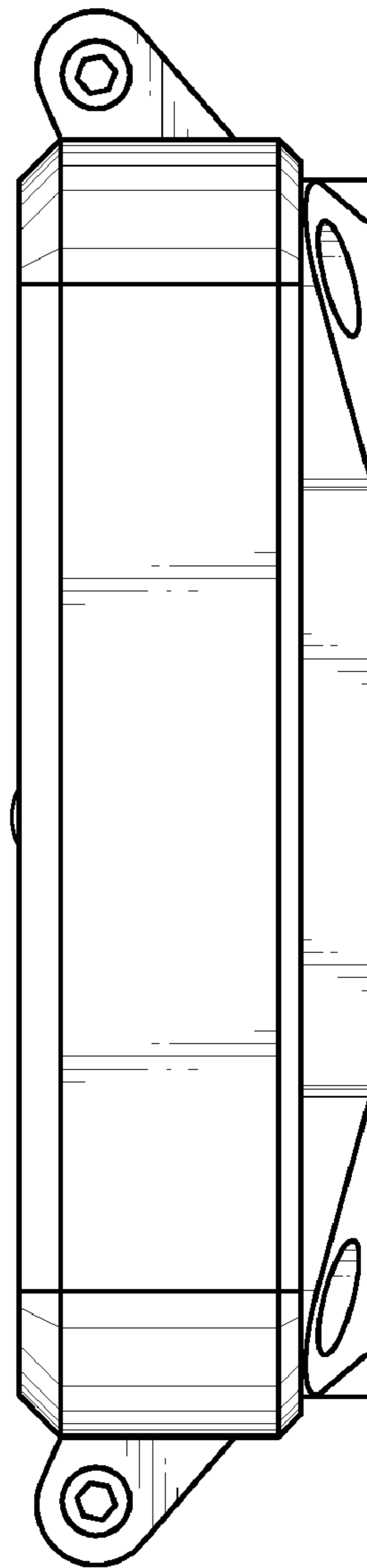


FIG. 6

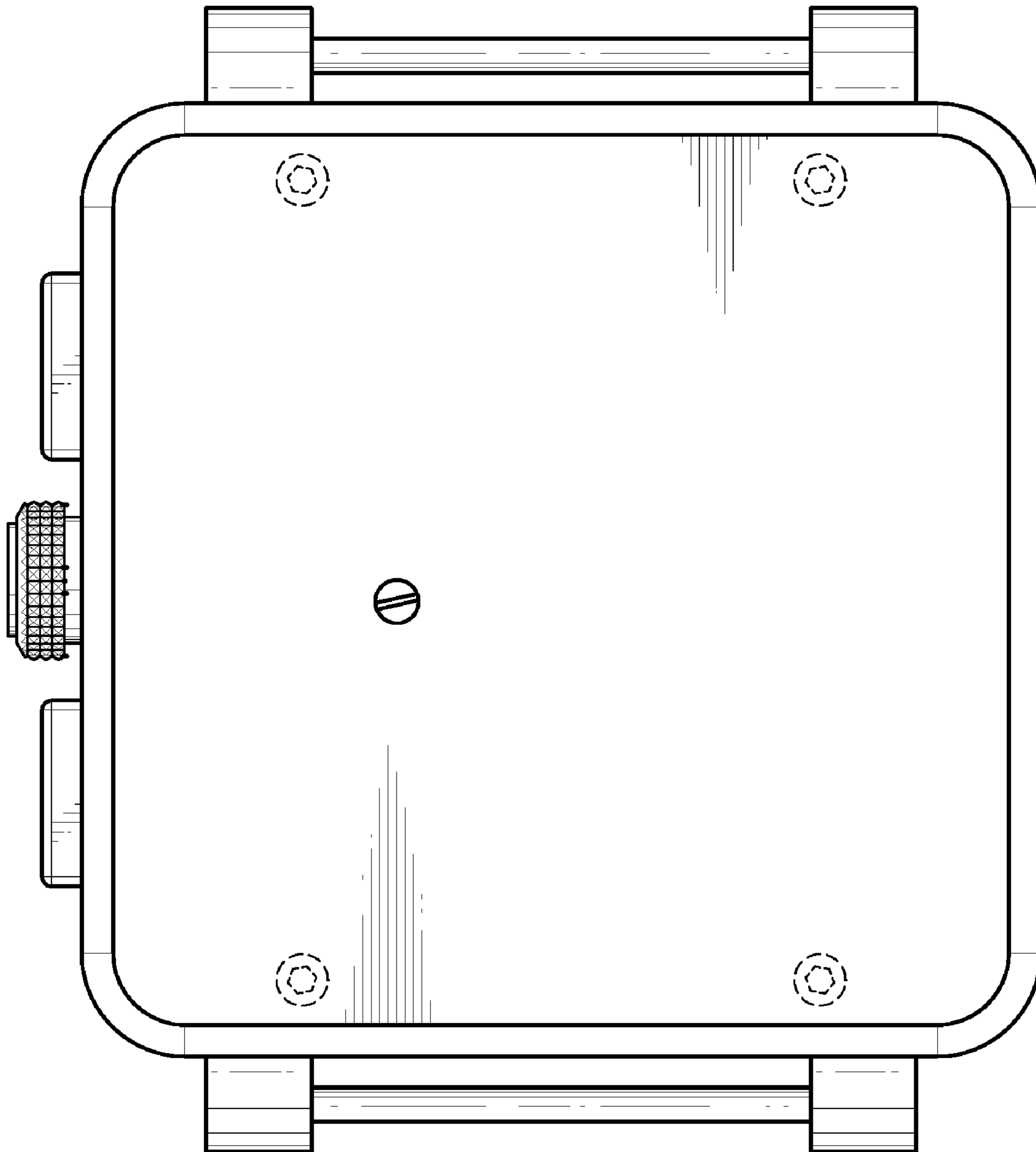


FIG. 7