



US00D598301S

(12) **United States Design Patent**  
**Moritz**

(10) **Patent No.:** **US D598,301 S**

(45) **Date of Patent:** **\*\* Aug. 18, 2009**

(54) **WATCH**

(75) **Inventor:** **Hans Karsten Moritz**, Foothill Ranch,  
CA (US)

(73) **Assignee:** **Oakley, Inc.**, Foothill Ranch, CA (US)

(\*\*) **Term:** **14 Years**

(21) **Appl. No.:** **29/313,834**

(22) **Filed:** **Feb. 13, 2009**

(51) **LOC (9) Cl.** ..... **10-02**

(52) **U.S. Cl.** ..... **D10/32**

(58) **Field of Classification Search** ..... D10/30-39;  
368/276, 281, 282, 285, 288; D11/3  
See application file for complete search history.

(56) **References Cited**

**U.S. PATENT DOCUMENTS**

1,675,675	A	*	7/1928	Wadsworth	.....	368/281
D151,301	S	*	10/1948	Tuffo	.....	D10/31
2,518,163	A	*	8/1950	Megar	.....	63/4
D252,860	S		9/1979	Perrin		
D350,071	S	*	8/1994	Giardiello	.....	D10/32
D361,278	S	*	8/1995	Riley	.....	D10/30
D382,211	S	*	8/1997	Bodino	.....	D10/30
D386,095	S		11/1997	Perrin et al.		
D403,599	S		1/1999	Emmenegger		
D404,320	S	*	1/1999	Chodat	.....	D10/39
D409,940	S	*	5/1999	Spandrio et al.	.....	D11/3
D410,406	S	*	6/1999	Iwamoto et al.	.....	D11/3
D420,293	S	*	2/2000	Parmigiani	.....	D10/30
D421,918	S		3/2000	Bodino		
D440,887	S		4/2001	Tripet		
D450,612	S	*	11/2001	Rantala	.....	D11/3
D451,420	S	*	12/2001	Komulainen	.....	D11/3
D456,281	S		4/2002	Glauser		

D462,281	S		9/2002	Wunderman		
D475,934	S		6/2003	Bulgari		
D480,976	S	*	10/2003	Yan	.....	D10/30
D490,000	S	*	5/2004	Lassigne	.....	D10/32
D496,589	S		9/2004	Perrenoud		
D508,421	S		8/2005	Diltoer		
D514,457	S		2/2006	Diltoer		
D523,369	S	*	6/2006	Jacober et al.	.....	D11/3
D540,699	S	*	4/2007	Niculescu	.....	D10/39
D556,604	S		12/2007	Yee et al.		
D557,619	S		12/2007	Moritz		
D558,615	S	*	1/2008	Sirmakes	.....	D10/39
D564,906	S	*	3/2008	Modolo	.....	D10/32
D566,585	S	*	4/2008	Belamich	.....	D10/39
D579,790	S		11/2008	Yee et al.		
D581,812	S		12/2008	Moritz		
D588,942	S	*	3/2009	Fasciano	.....	D10/38

\* cited by examiner

*Primary Examiner*—Lucy Lieberman

(74) *Attorney, Agent, or Firm*—Gregory K. Nelson

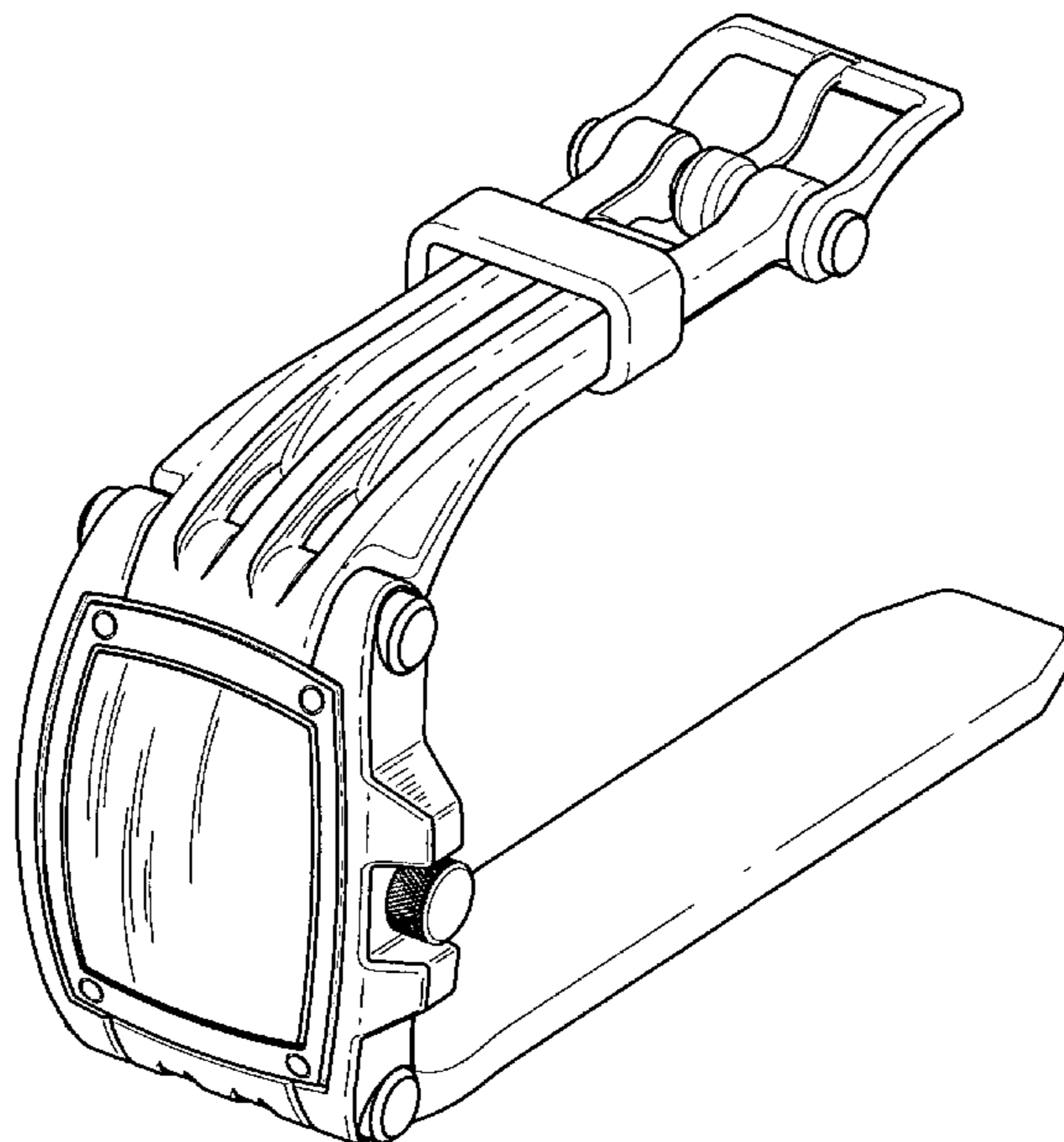
(57) **CLAIM**

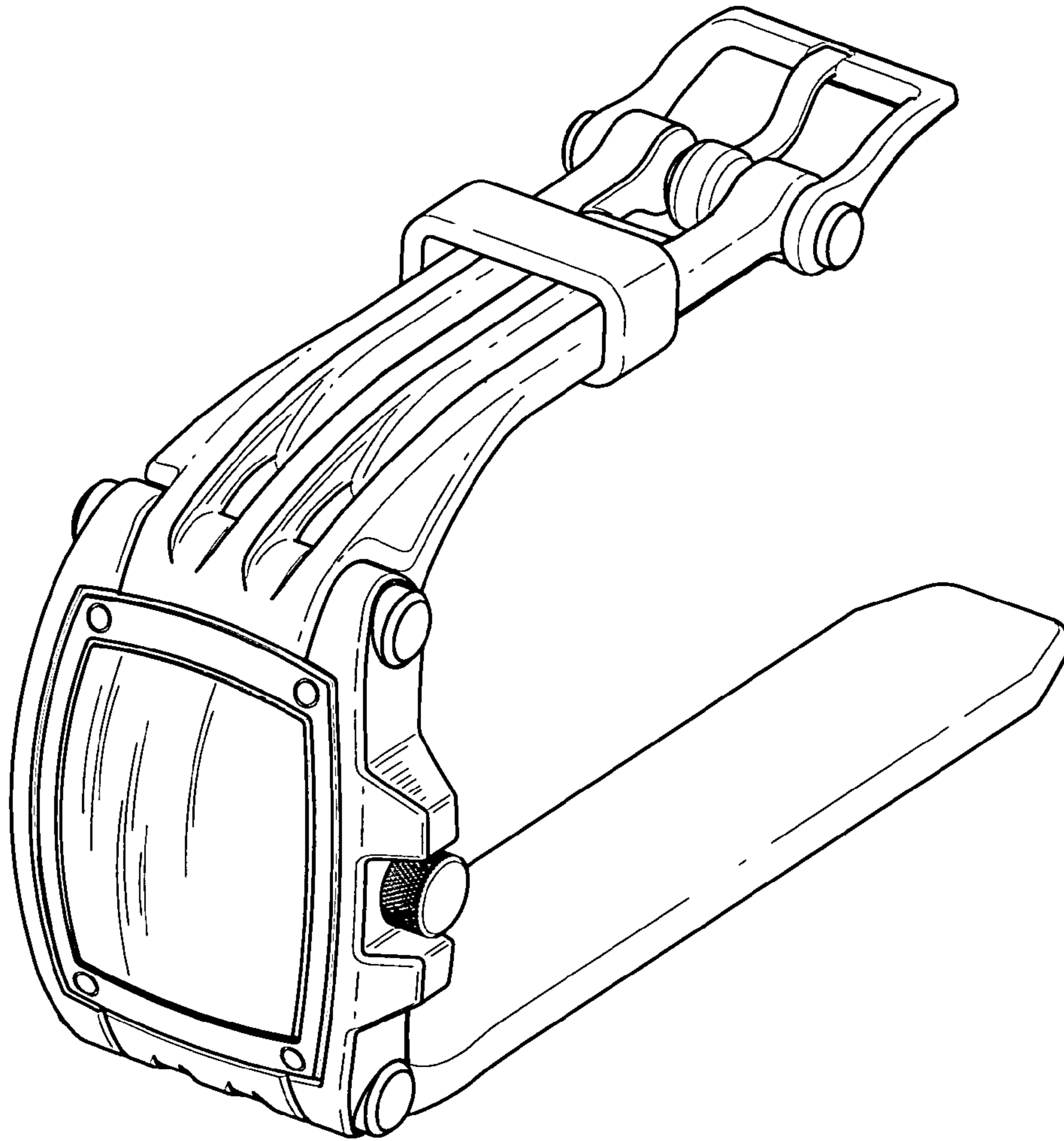
The ornamental design for a watch, as shown.

**DESCRIPTION**

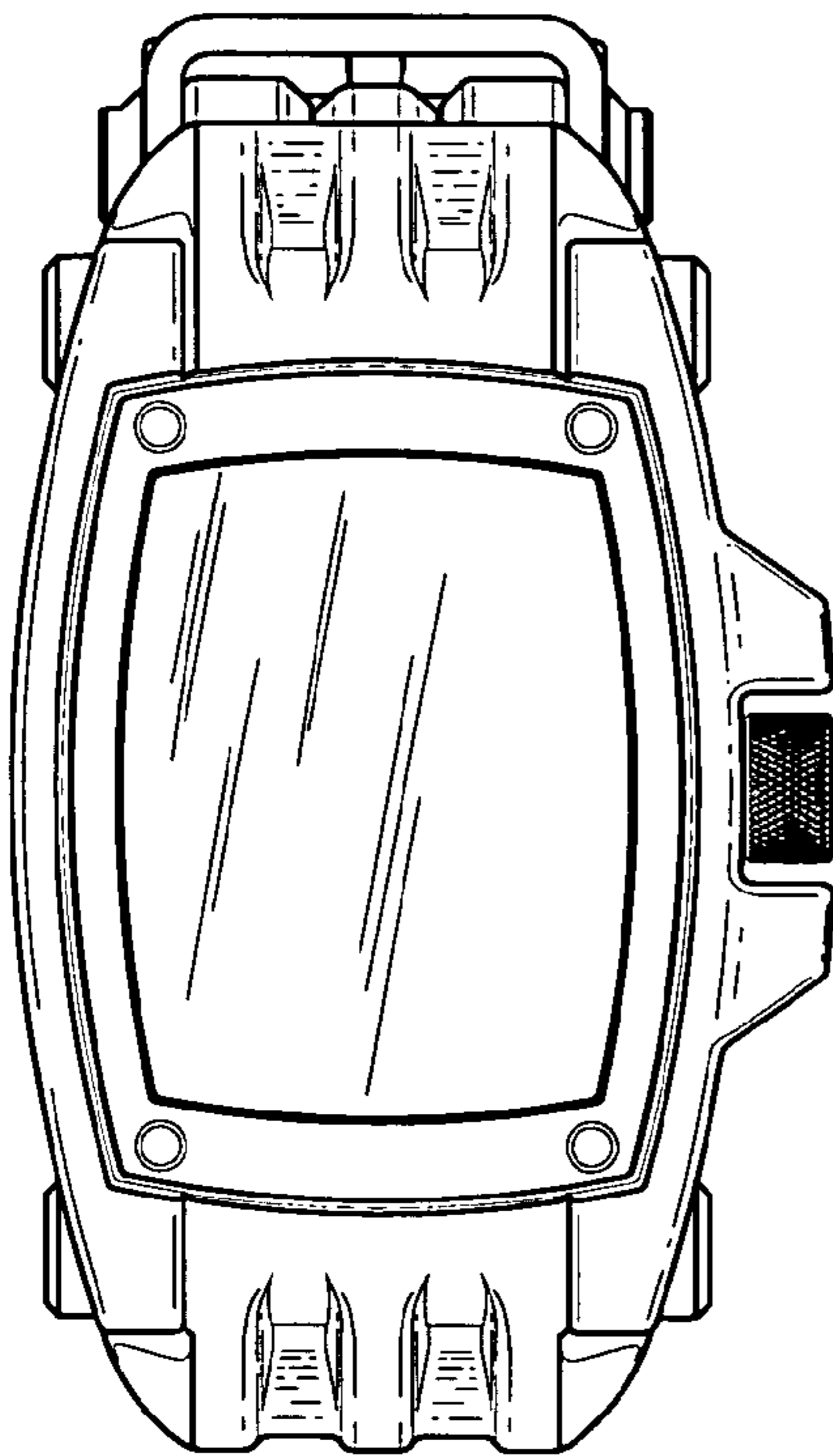
FIG. 1 is a front perspective view of the watch of the present invention;  
FIG. 2 is a front elevational view thereof;  
FIG. 3 is a rear elevational view thereof;  
FIG. 4 is a top plan view thereof;  
FIG. 5 is a bottom plan view thereof;  
FIG. 6 is a left-side elevational view thereof; and,  
FIG. 7 is a right-side elevational view thereof.

**1 Claim, 4 Drawing Sheets**

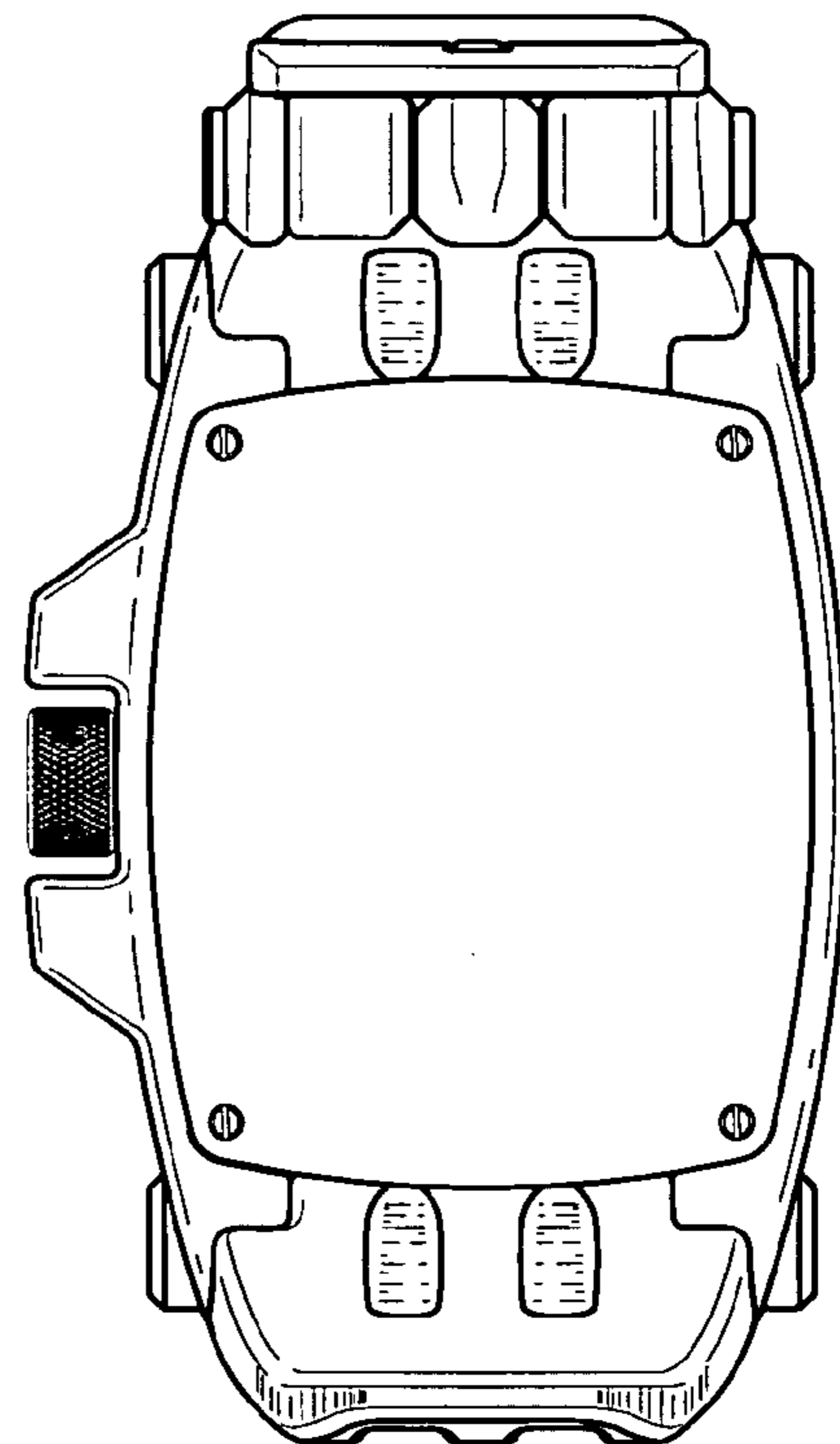




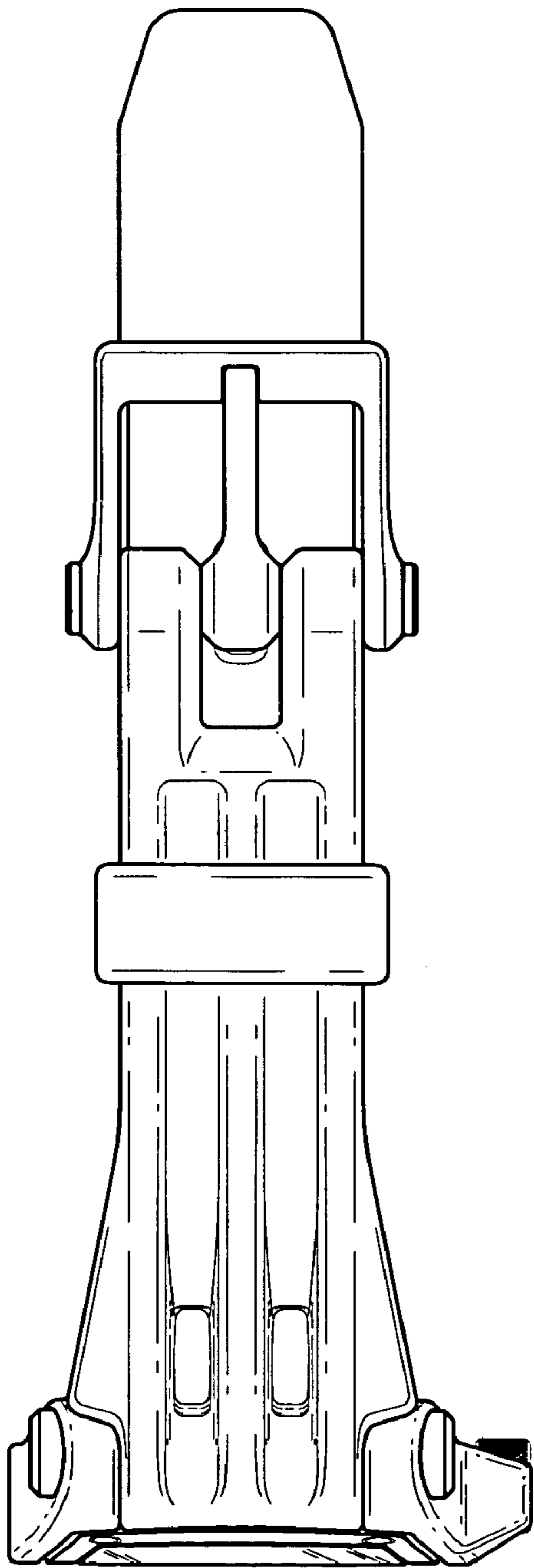
***FIG. 1***



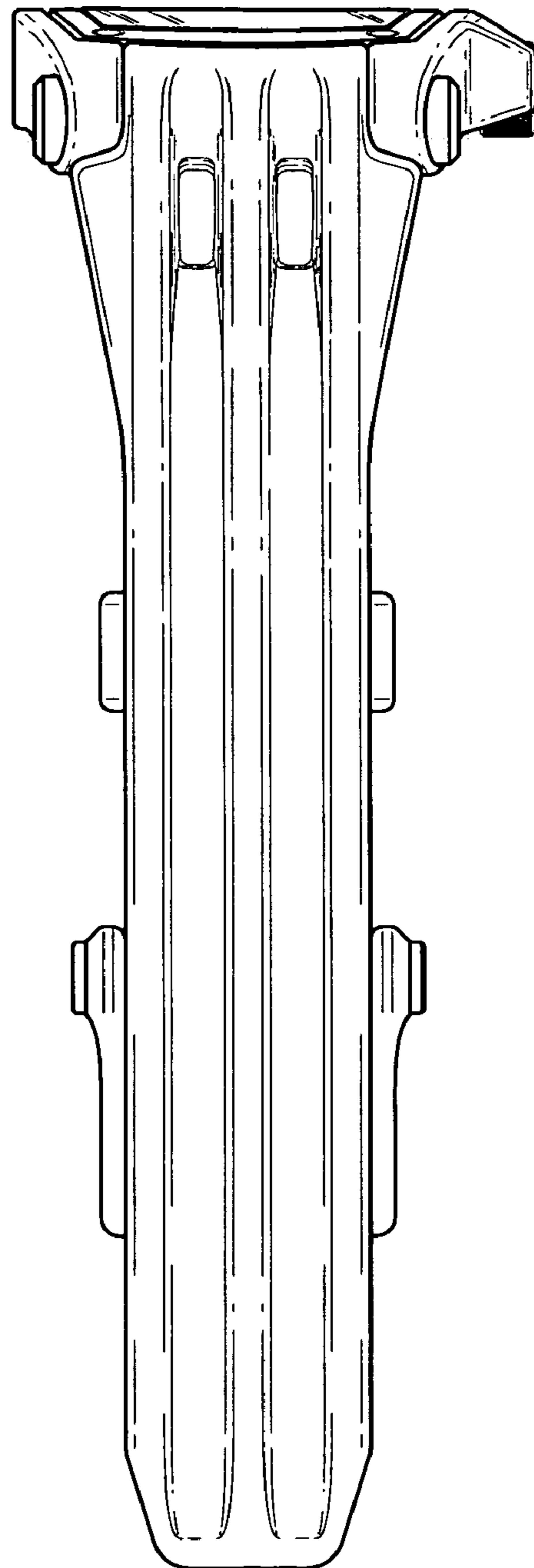
**FIG. 2**



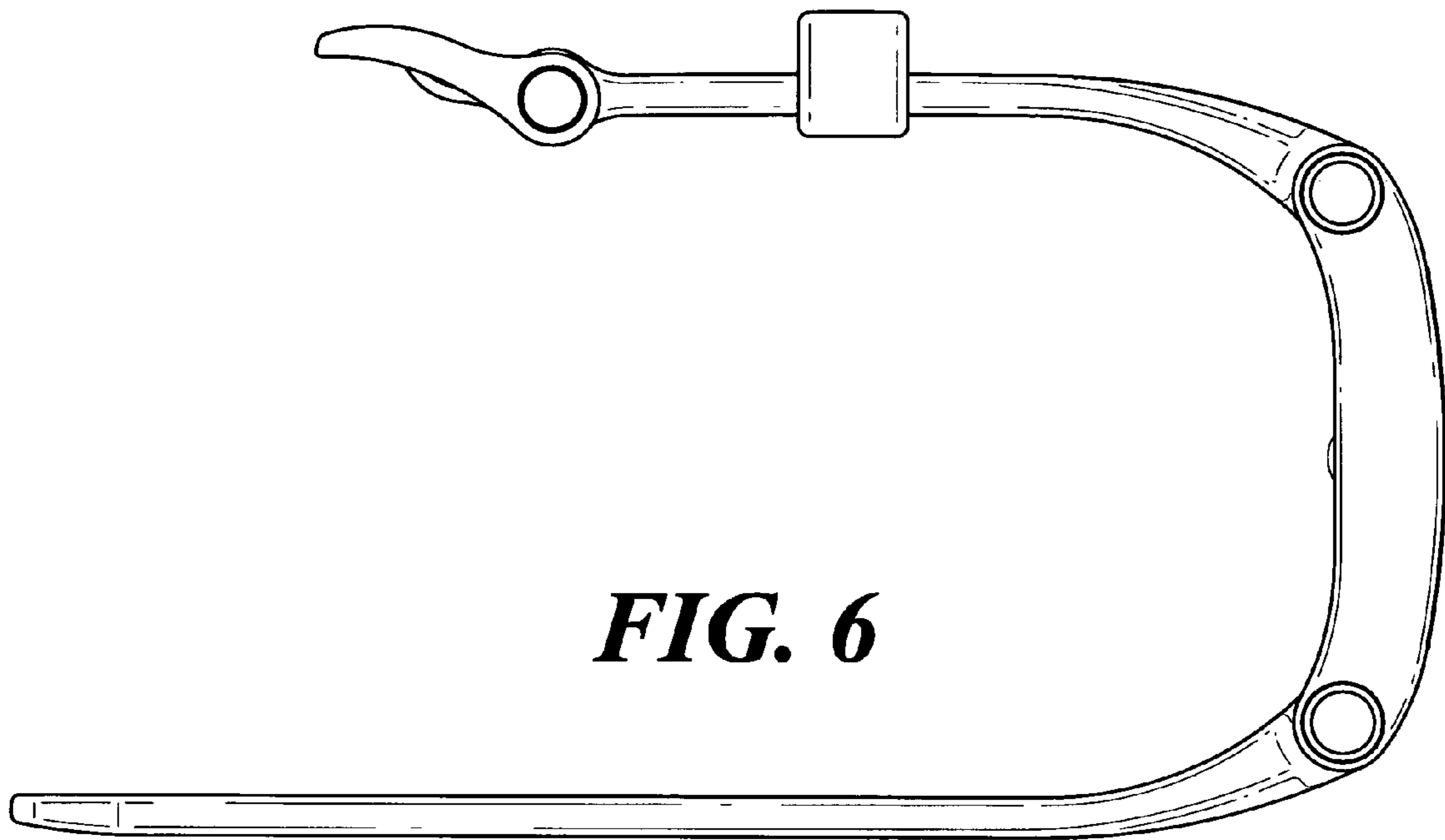
**FIG. 3**



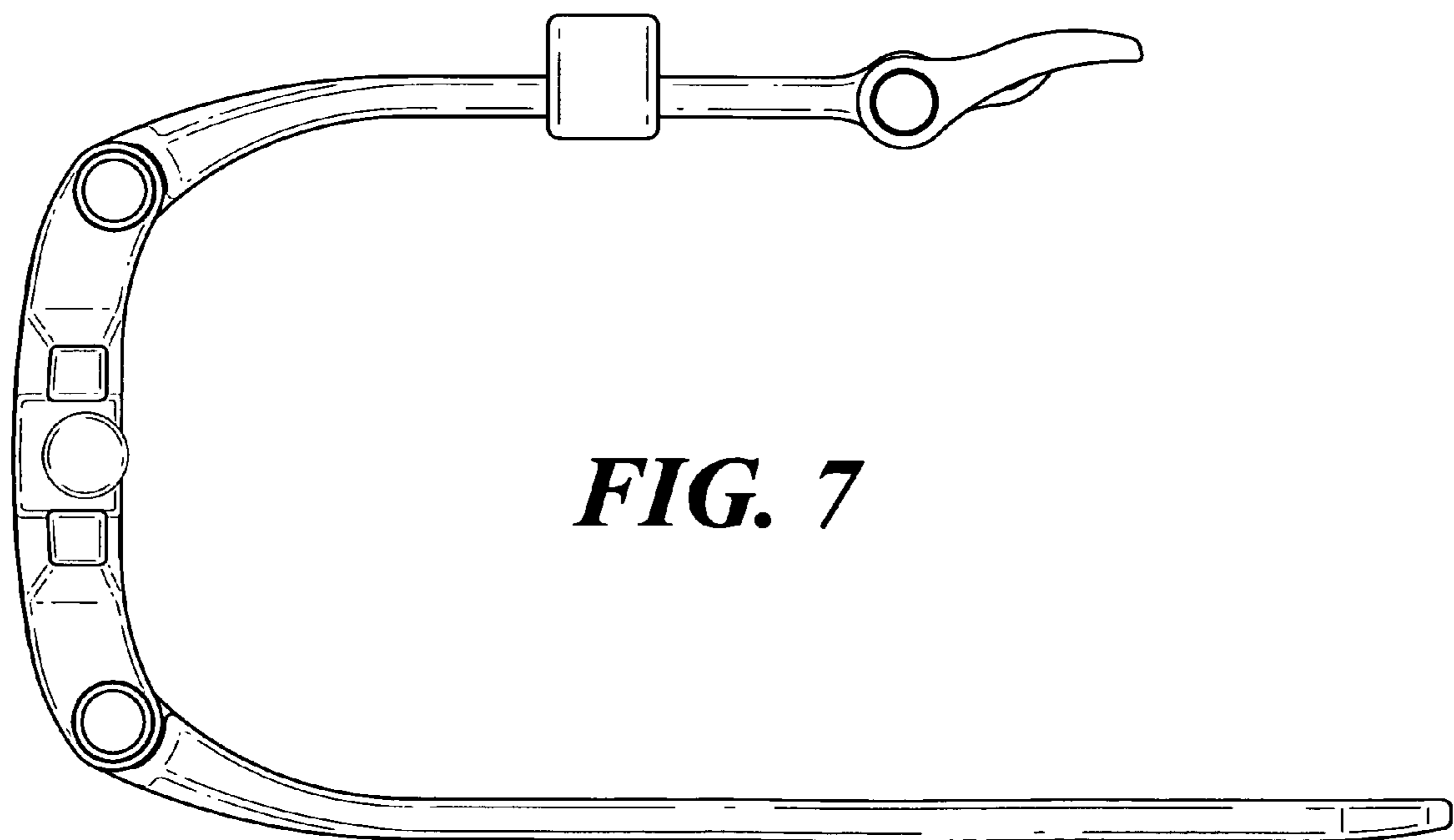
**FIG. 4**



**FIG. 5**



**FIG. 6**



**FIG. 7**