



US00D598300S

(12) **United States Design Patent**  
**Sadler et al.**

(10) **Patent No.:** **US D598,300 S**

(45) **Date of Patent:** **\*\* Aug. 18, 2009**

(54) **PHOTO ALARM CLOCK**

(75) Inventors: **Catherine Sadler**, New York, NY (US);  
**Scott Chapps**, New York, NY (US);  
**David Malina**, New York, NY (US)

(73) Assignee: **MerchSource, LLC**, Foothill Ranch, CA (US)

(\*\*) Term: **14 Years**

(21) Appl. No.: **29/325,569**

(22) Filed: **Oct. 2, 2008**

(51) **LOC (9) Cl.** ..... **10-01**

(52) **U.S. Cl.** ..... **D10/2; D6/310; D10/15**

(58) **Field of Classification Search** ..... D10/1,  
D10/2, 15, 18, 21-26; 368/316, 317, 10,  
368/276; D6/300-302, 308, 310

See application file for complete search history.

(56) **References Cited**

**U.S. PATENT DOCUMENTS**

D264,823	S	*	6/1982	Satoh	.....	D10/15
D309,986	S	*	8/1990	Sakai	.....	D6/308
D318,018	S	*	7/1991	van Lelyveld	.....	D10/15
D333,271	S	*	2/1993	Erlichman	.....	D10/2
D337,529	S	*	7/1993	Shimamura	.....	D10/18
D363,881	S	*	11/1995	Yung	.....	D10/18
D375,902	S	*	11/1996	Wong	.....	D10/15
D458,850	S	*	6/2002	Fong	.....	D10/18
D529,823	S	*	10/2006	Tien	.....	D10/2
D543,868	S	*	6/2007	Bhavnani	.....	D10/2
D543,869	S	*	6/2007	Chavarri	.....	D10/2
D545,691	S	*	7/2007	Bhavnani	.....	D10/2
D569,629	S	*	5/2008	Yu et al.	.....	D6/308

\* cited by examiner

*Primary Examiner*—Lucy Lieberman

(74) *Attorney, Agent, or Firm*—The Eclipse Group LLP

(57) **CLAIM**

We claim the ornamental design for a photo alarm clock, as shown and described.

**DESCRIPTION**

FIG. 1 is a front perspective view of a photo alarm clock.

FIG. 2 is a rear perspective view of the photo alarm clock illustrated in FIG. 1.

FIG. 3 is a front elevational view of the photo alarm clock illustrated in FIG. 1.

FIG. 4 is a rear elevational view of the photo alarm clock illustrated in FIG. 1.

FIG. 5 is a right side view of the photo alarm clock.

FIG. 6 is a left side view of the photo alarm clock.

FIG. 7 is a top plan view of the photo alarm clock.

FIG. 8 is a bottom plan view of the photo alarm clock.

FIG. 9 is a front elevational view of the photo alarm clock illustrated in FIG. 1 in a closed position.

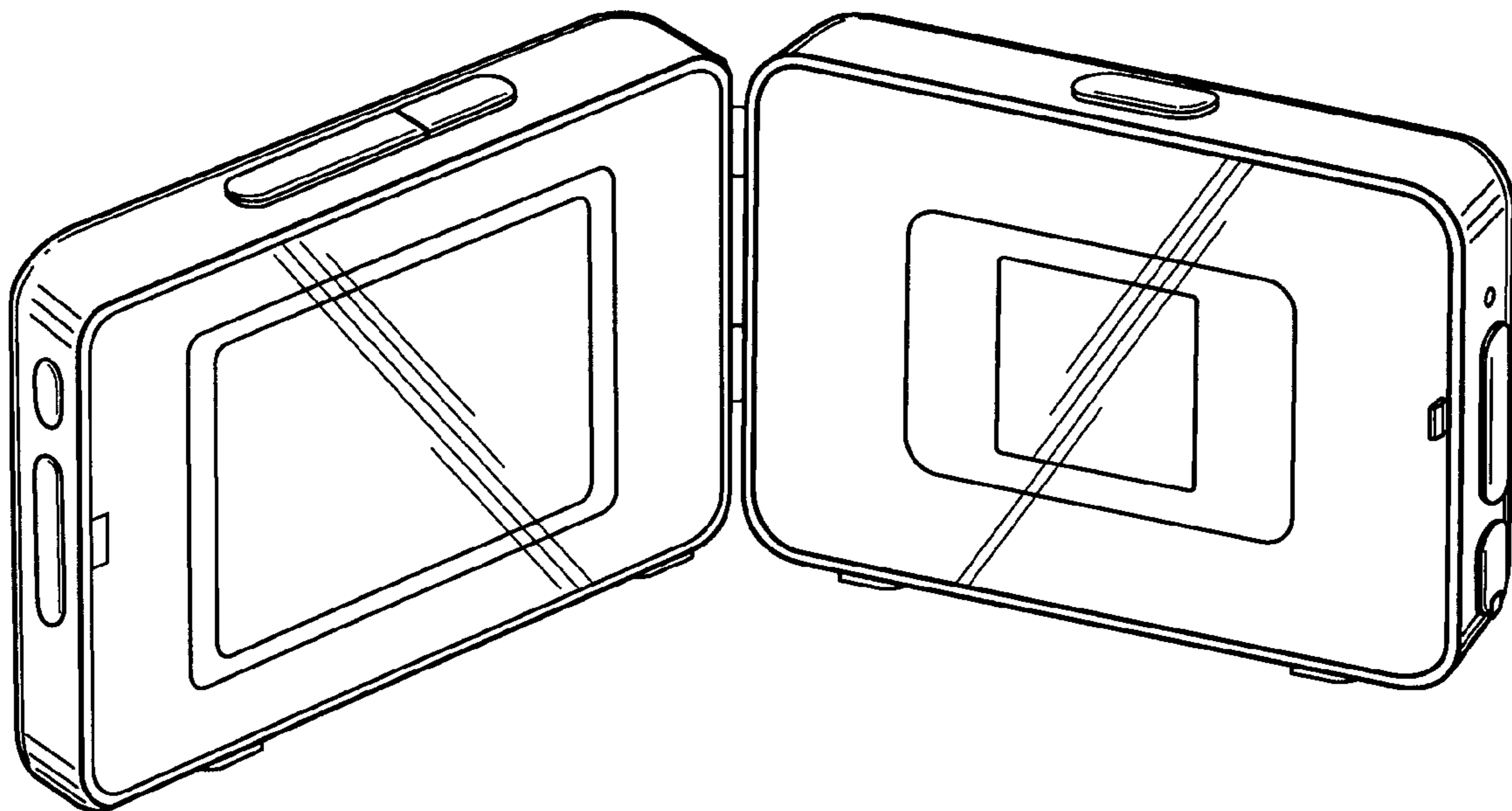
FIG. 10 is a rear elevational view of the photo alarm clock illustrated in FIG. 1 in a closed position.

FIG. 11 is a top plan view of the photo alarm clock shown in a closed position; and,

FIG. 12 is a bottom plan view of the photo alarm clock shown in a closed position.

The portions of the photo alarm clock in broken lines are shown for illustrative purposes only and form no part of the claimed design.

**1 Claim, 12 Drawing Sheets**



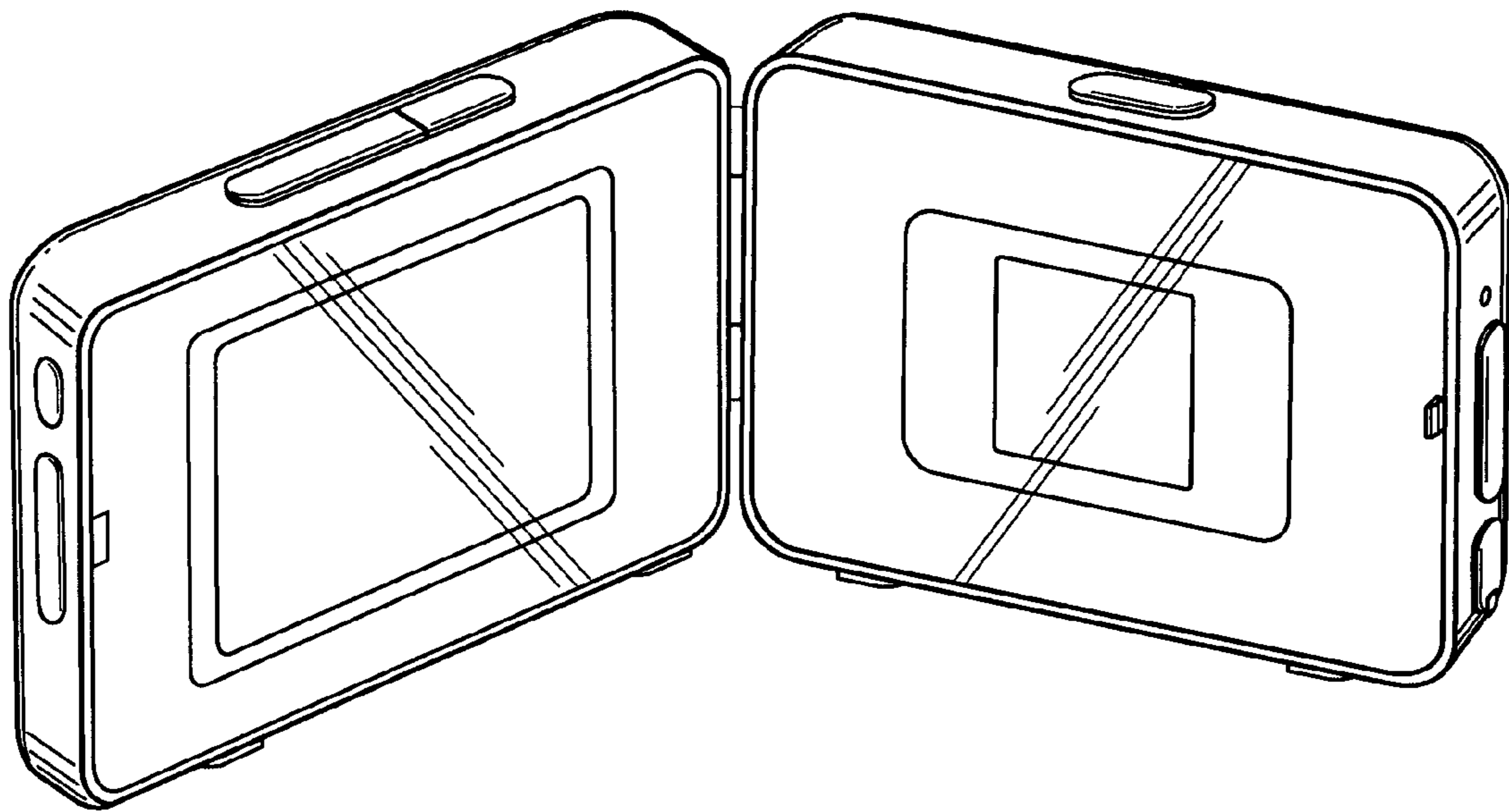


Fig. 1

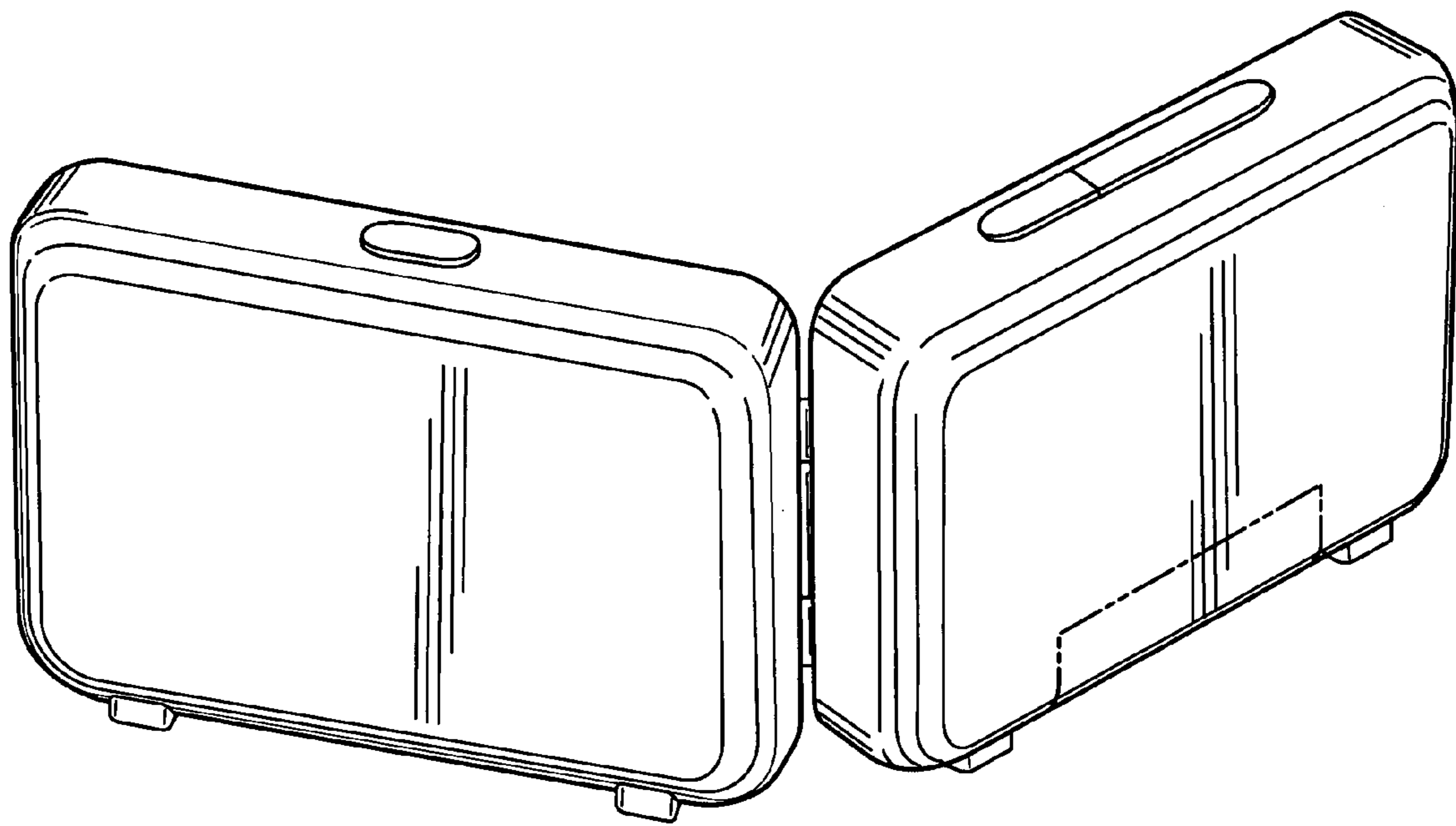


Fig. 2

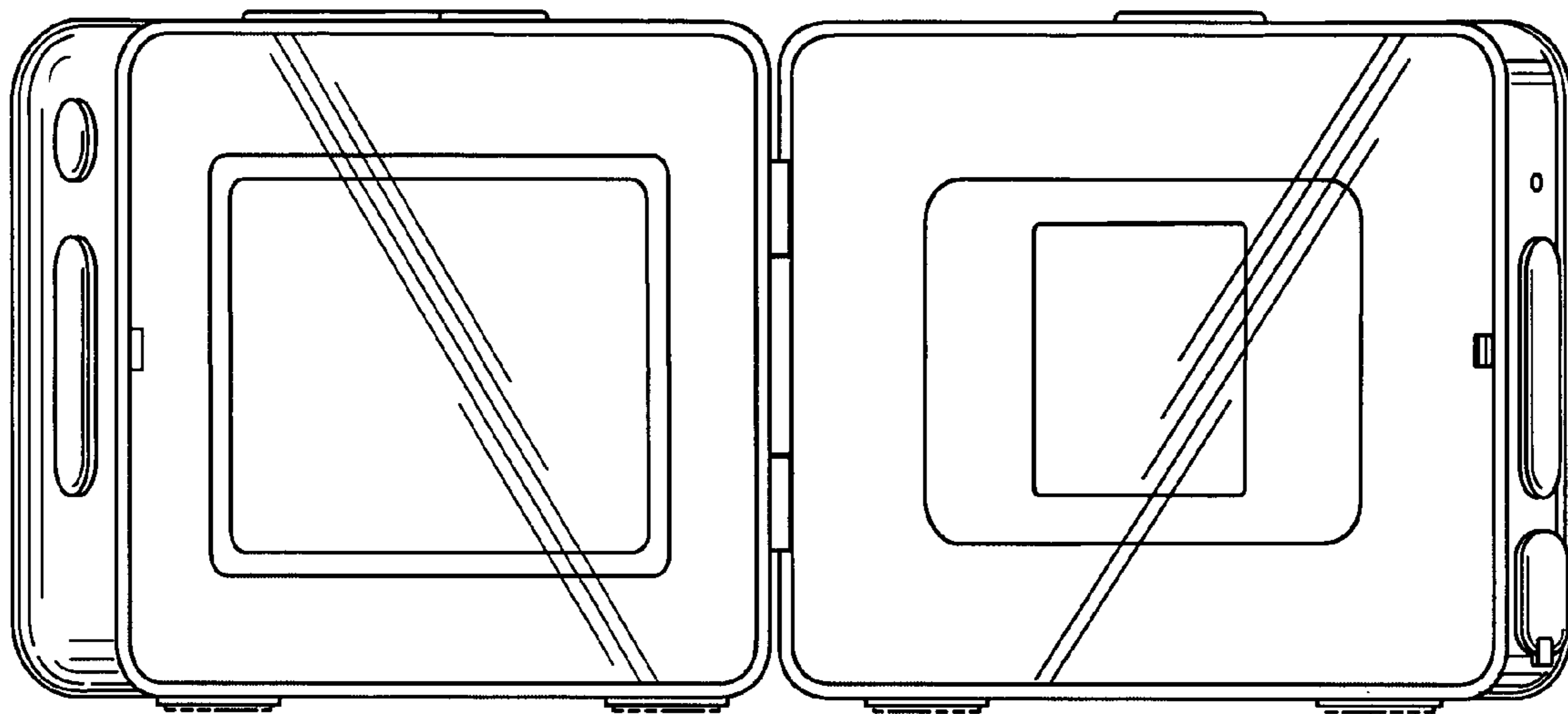


Fig. 3

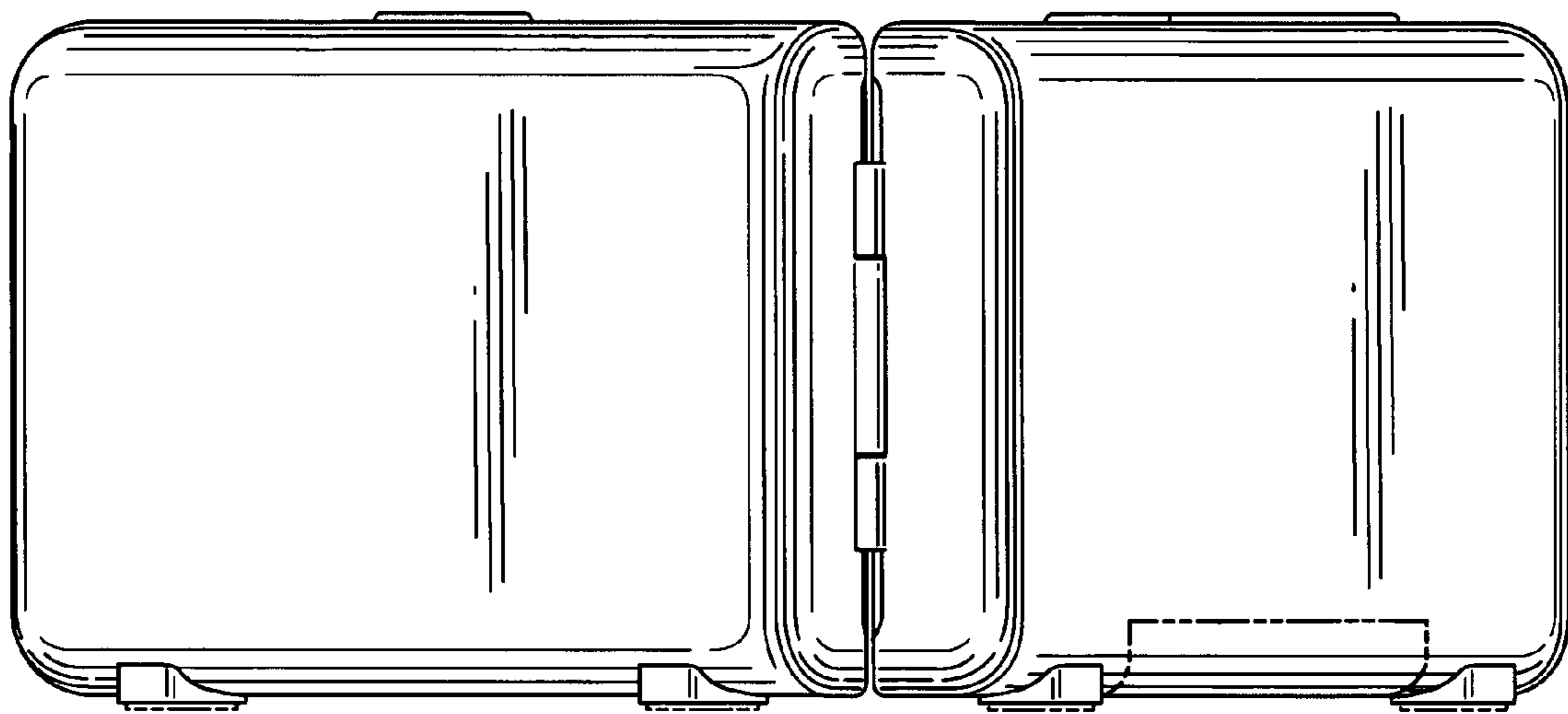


Fig. 4

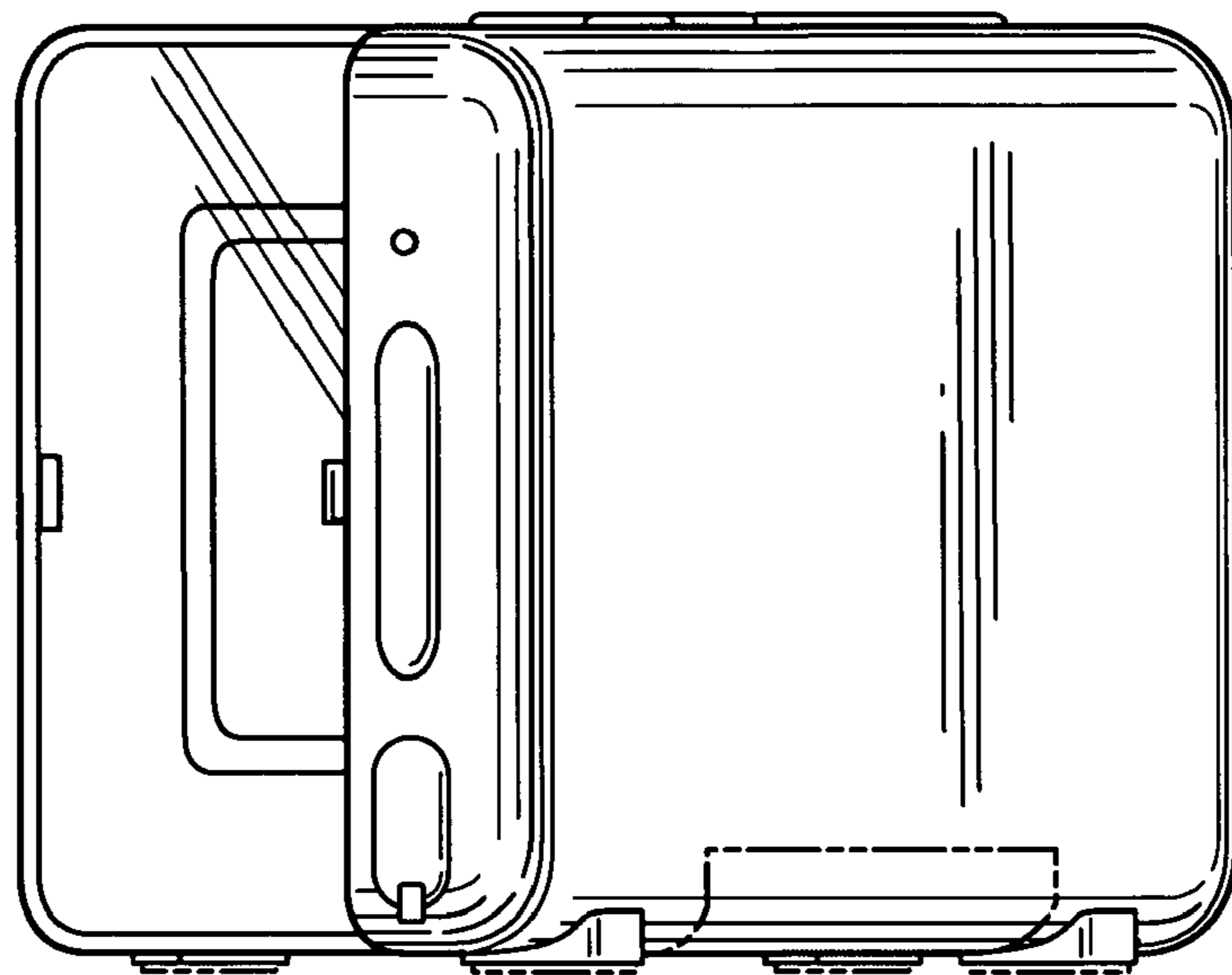


Fig. 5

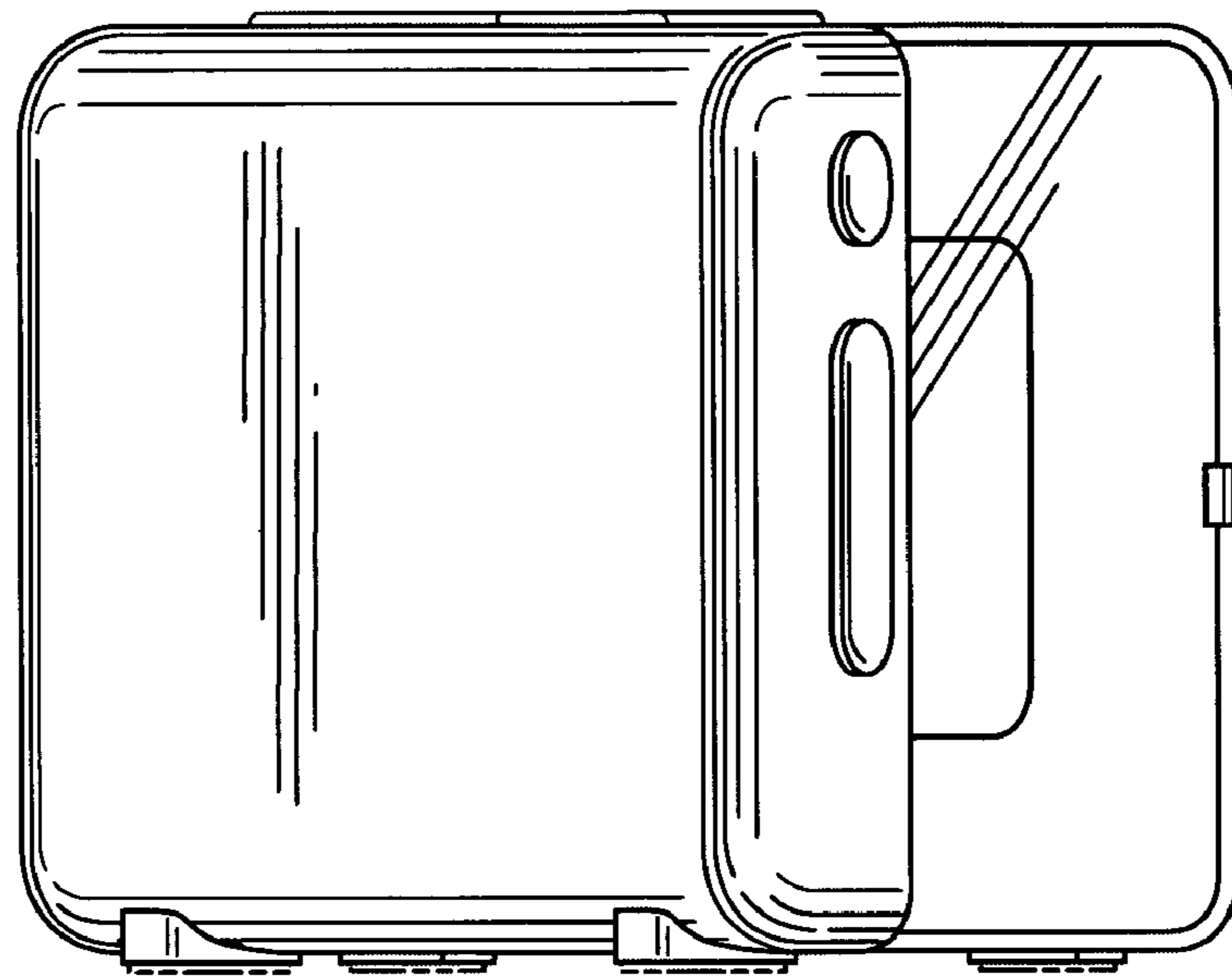


Fig. 6

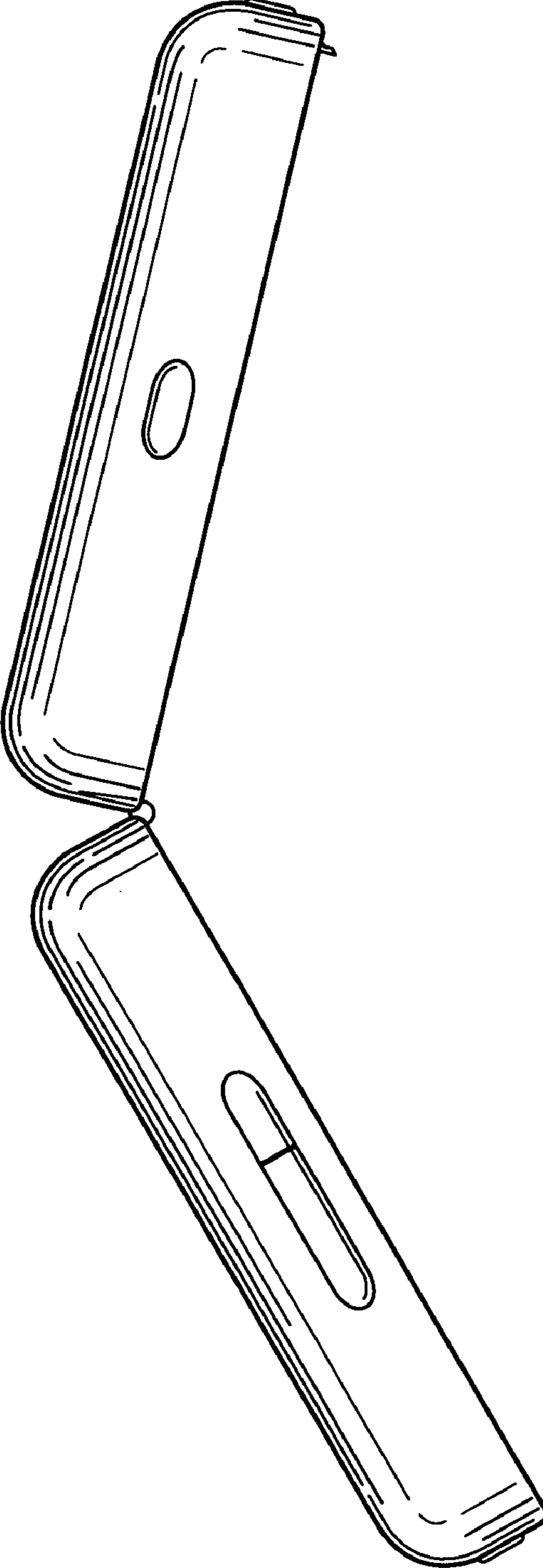


Fig. 7



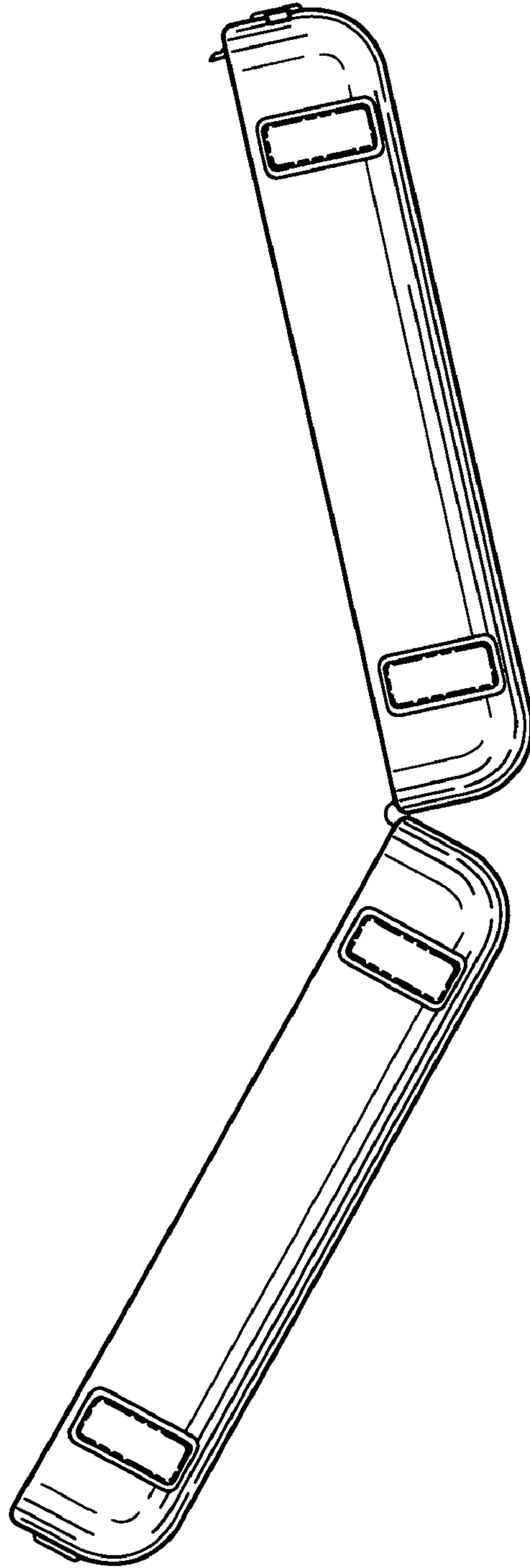


Fig. 8

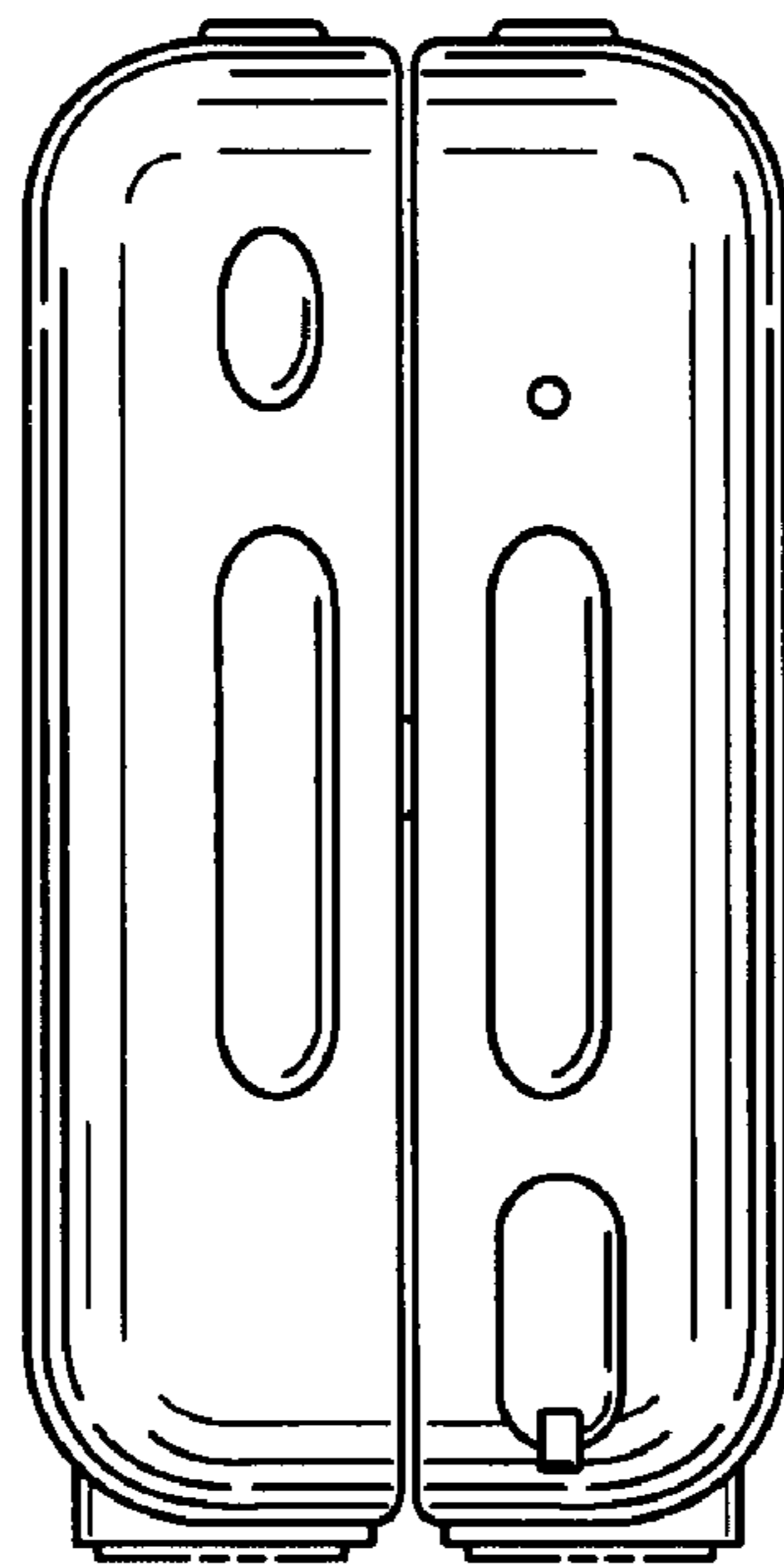


Fig. 9

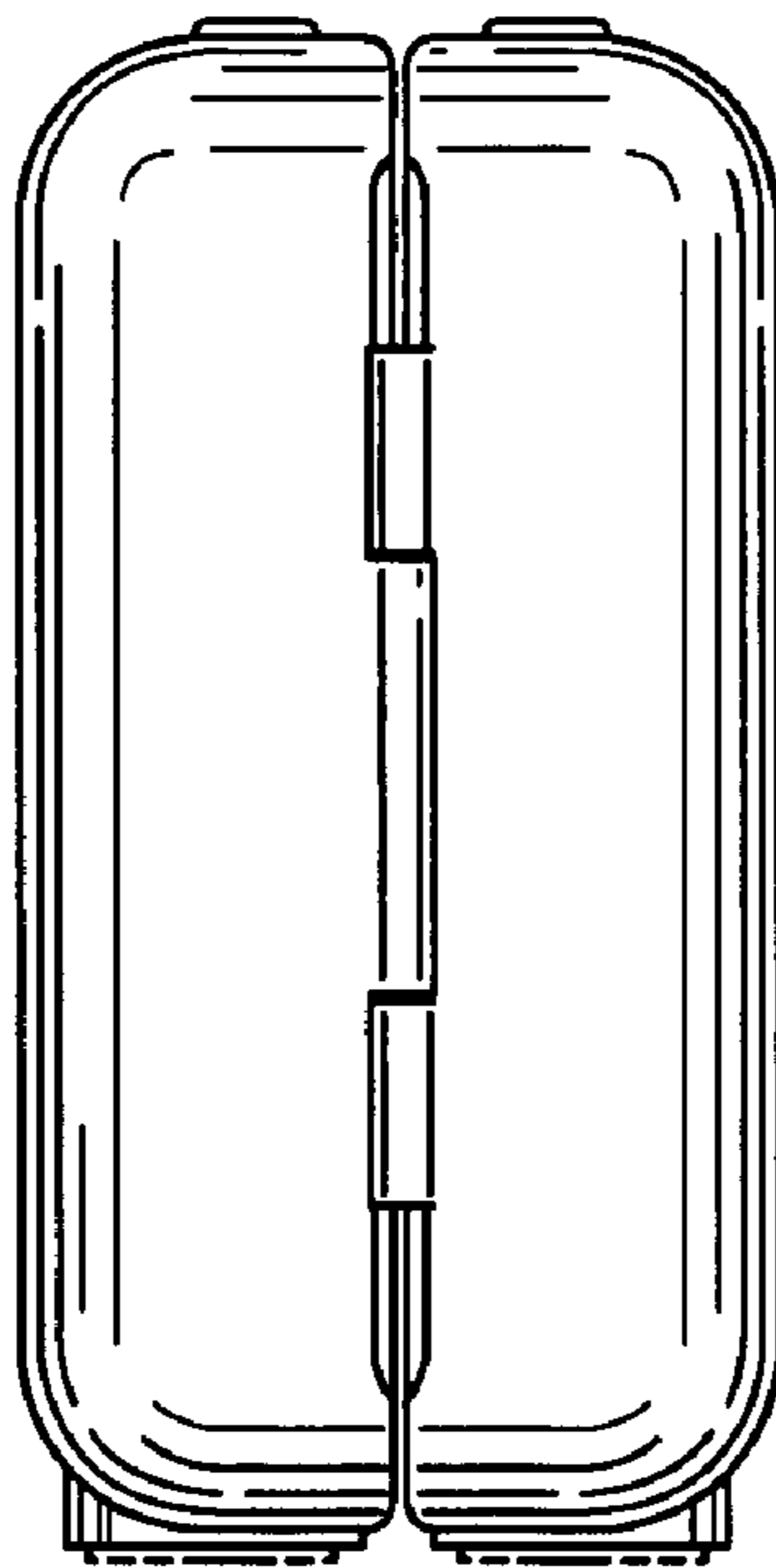


Fig. 10

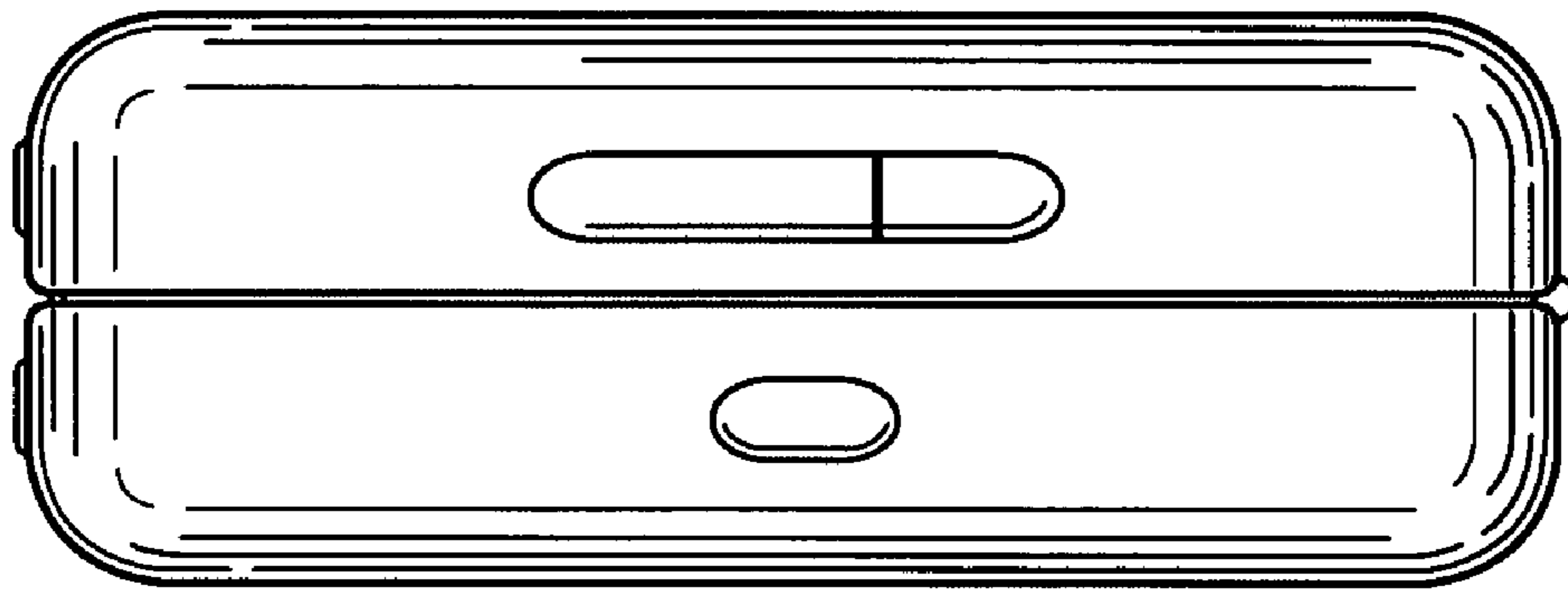


Fig. 11

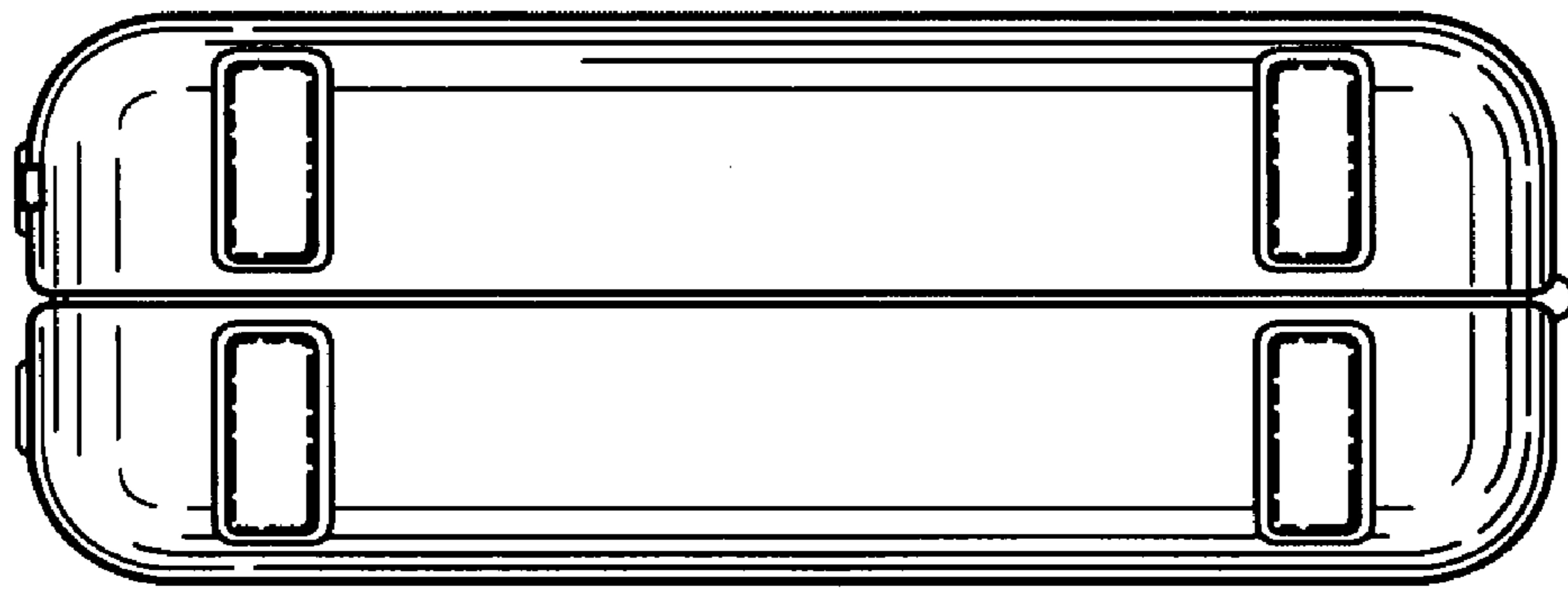


Fig. 12