



US00D598296S

(12) **United States Design Patent**
Serrano Diaz

(10) **Patent No.:** **US D598,296 S**

(45) **Date of Patent:** **** Aug. 18, 2009**

(54) **FLASK**

(75) **Inventor:** **Luis Serrano Diaz**, Palencia (ES)

(73) **Assignee:** **Seda Solubles, S.L.**, Palencia (ES)

(**) **Term:** **14 Years**

(21) **Appl. No.:** **29/282,399**

(22) **Filed:** **Jul. 19, 2007**

(51) **LOC (9) Cl.** **09-01**

(52) **U.S. Cl.** **D9/570; D9/571; D9/574**

(58) **Field of Classification Search** D9/500,
D9/516, 519, 521-522, 524, 529-530, 537-543,
D9/544-547, 549, 551-554, 556-557, 559-561,
D9/564-567, 569-575, 682-694, 452, 454;
215/382-384

See application file for complete search history.

(56) **References Cited**

U.S. PATENT DOCUMENTS

- D195,064 S * 4/1963 Dike D9/543 X
- D195,600 S * 7/1963 Neyman D9/543 X
- D197,583 S * 2/1964 Vanderhyde D9/542
- D211,156 S * 5/1968 Wilson D9/542
- D228,742 S * 10/1973 McCaleb et al. D9/542
- D312,398 S * 11/1990 Neto D9/570 X

- D313,935 S * 1/1991 Miller D9/572 X
- D322,213 S * 12/1991 Maginnis, Jr. D9/570 X
- D323,617 S * 2/1992 Miller D9/570
- D332,406 S * 1/1993 Desgrippes et al. D9/570
- D337,050 S * 7/1993 Hirst D9/424
- D352,458 S * 11/1994 Gray D9/557 X
- D353,099 S * 12/1994 Poisson D9/542
- D363,028 S * 10/1995 Mansau D9/570
- D539,651 S * 4/2007 Snyder D9/571

* cited by examiner

Primary Examiner—Carol Rademaker

(74) *Attorney, Agent, or Firm*—Dann, Dorfman, Herrell and Skillman; Henry H. Skillman

(57) **CLAIM**

The ornamental design for a flask, as shown and described.

DESCRIPTION

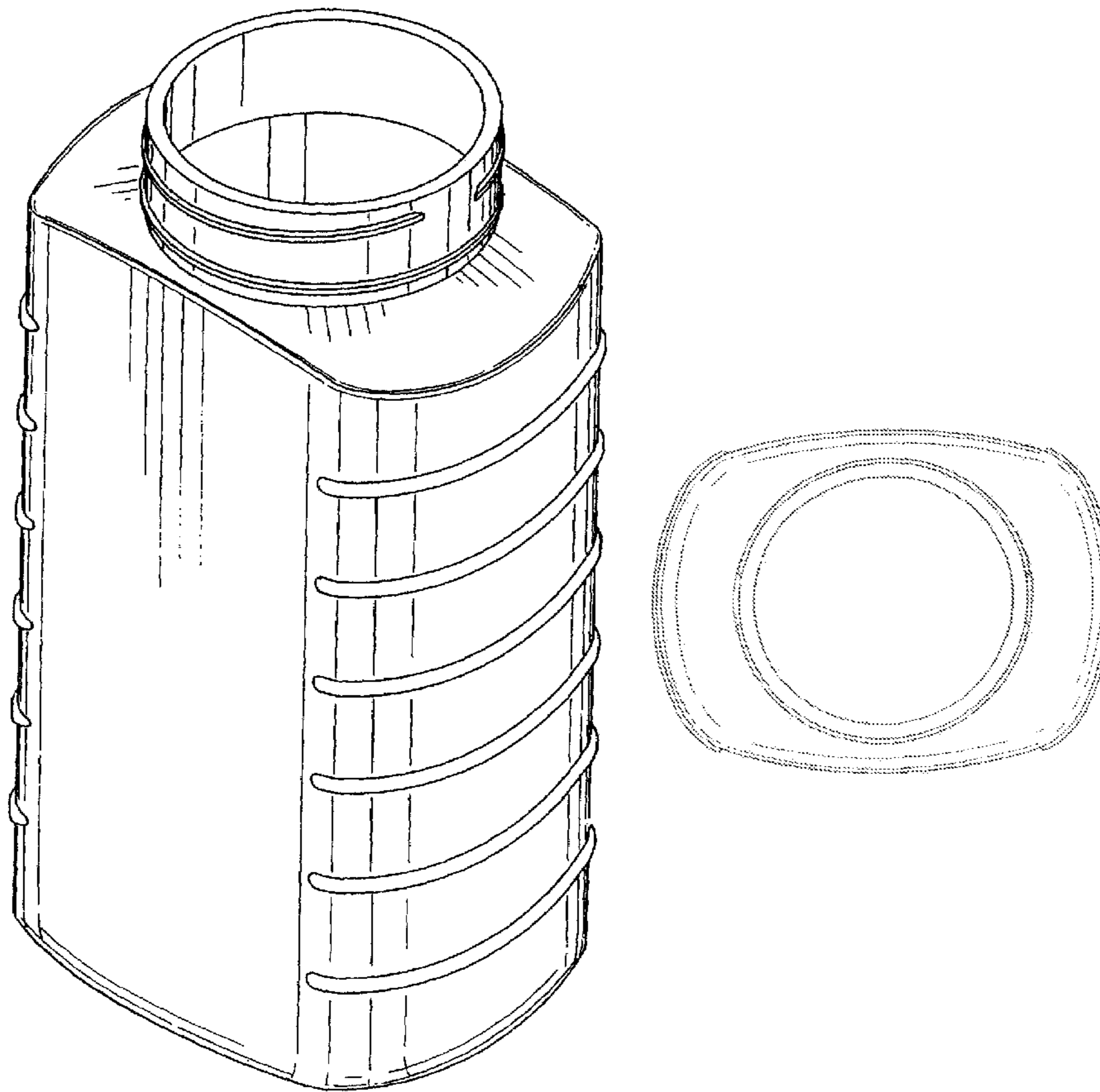
FIG. 1 is a top, front and right side perspective view of a flask embodying my new design;

FIG. 2 is a top plan view thereof;

FIG. 3 is a front elevational view thereof, the rear elevational view being identical; and,

FIG. 4 is a right side elevational view thereof, the left side elevational view being identical.

1 Claim, 3 Drawing Sheets



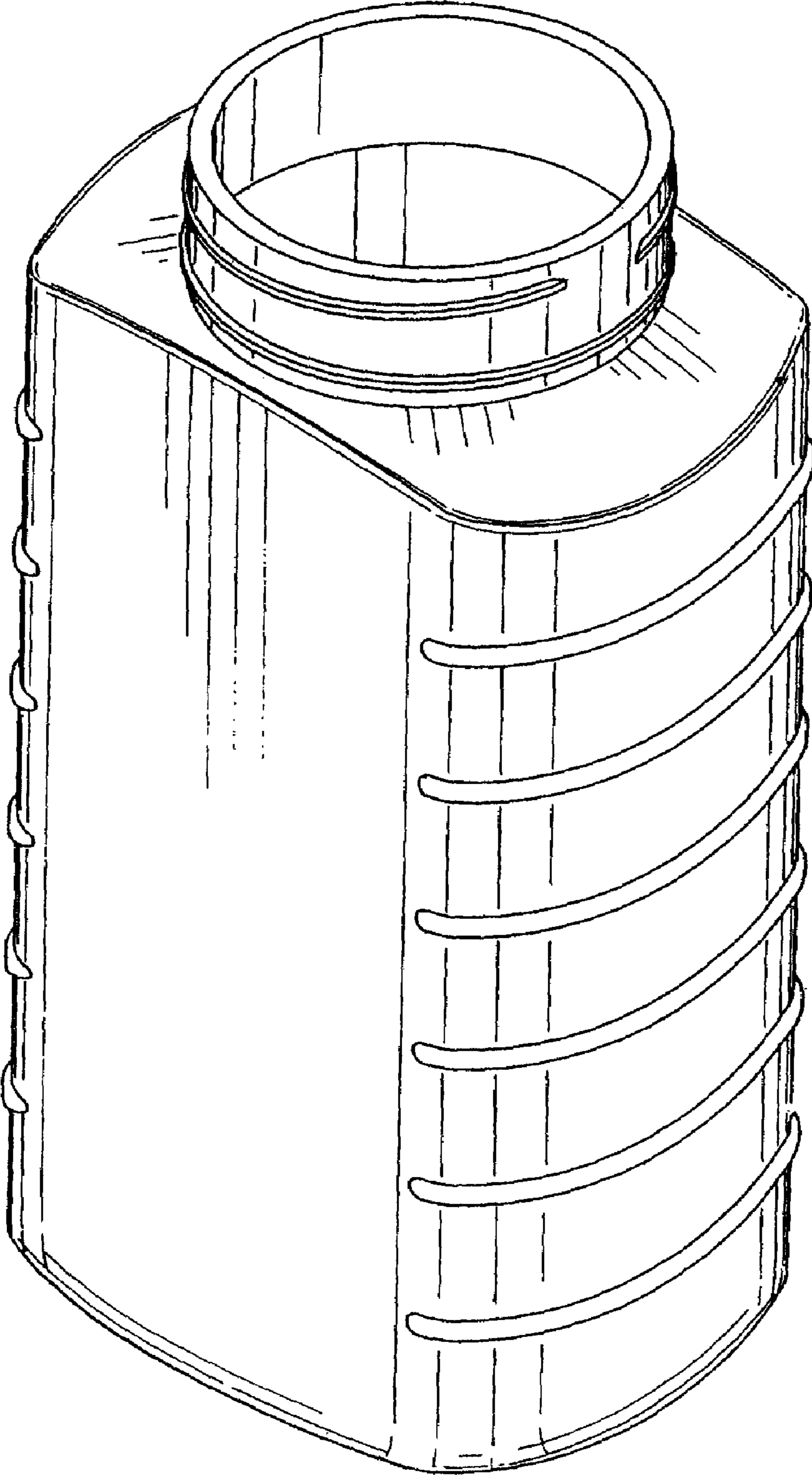


FIG. 1

FIG. 3

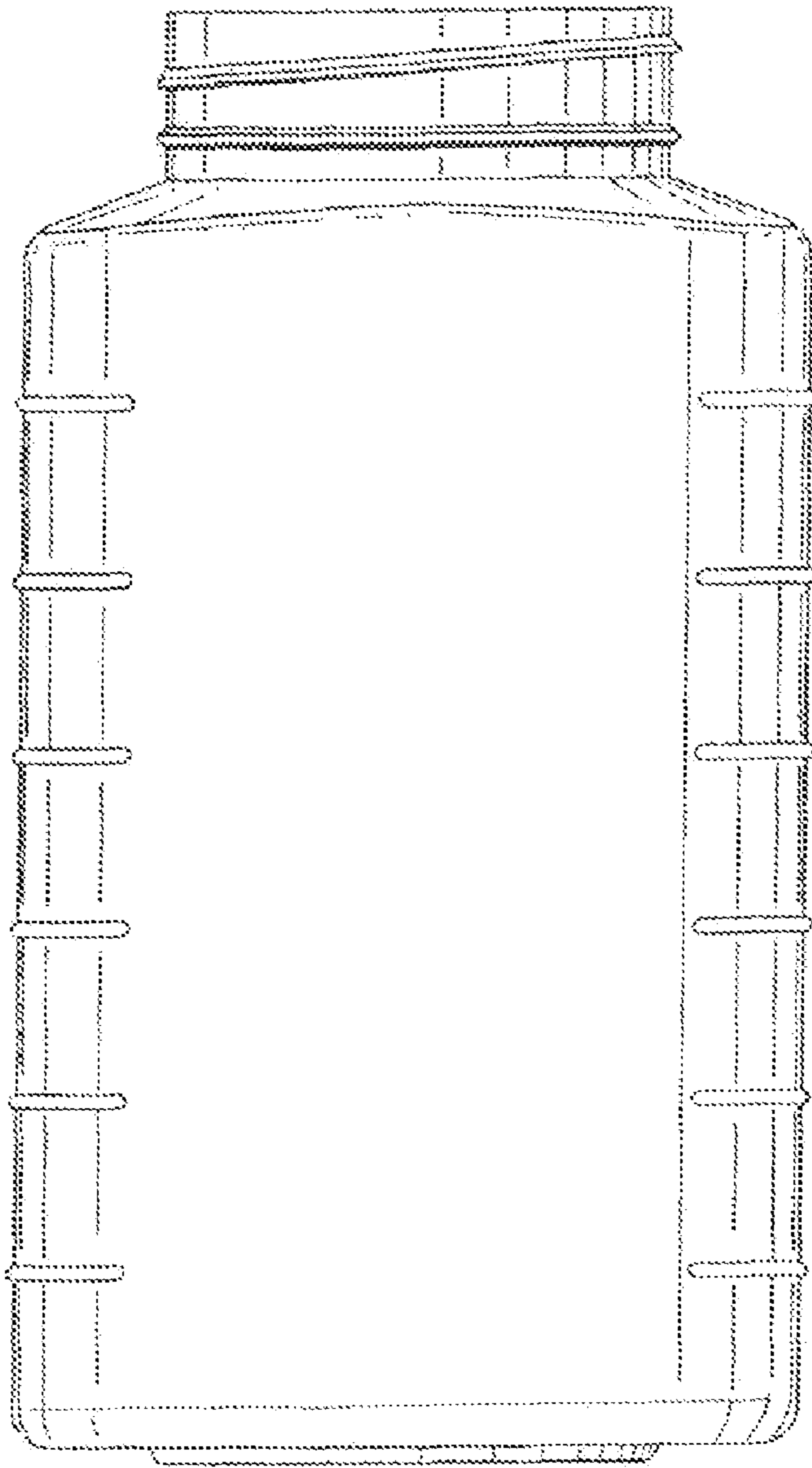


FIG. 2

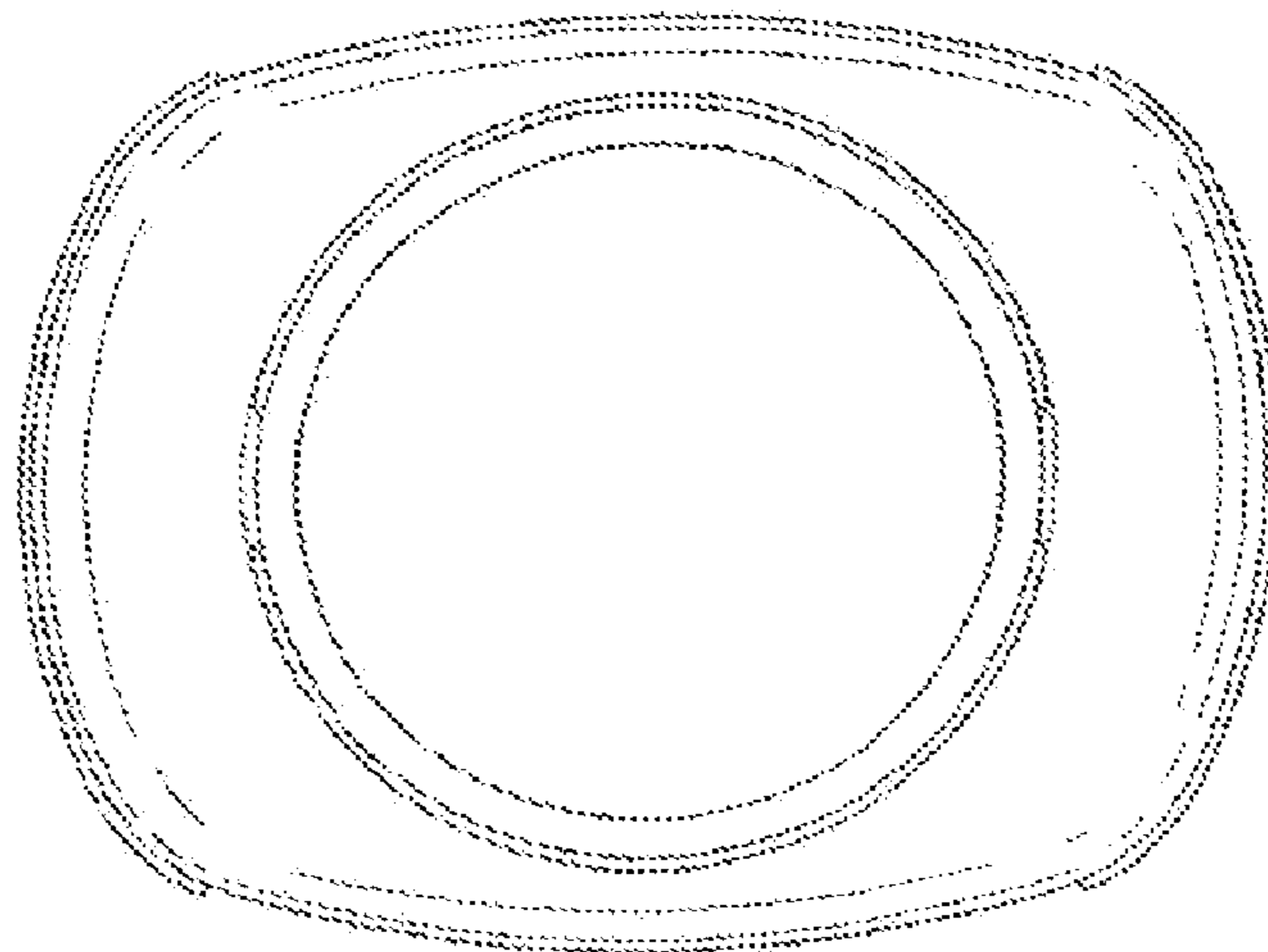


FIG. 4

