



US00D598295S

(12) **United States Design Patent**
Miceli et al.

(10) **Patent No.:** **US D598,295 S**

(45) **Date of Patent:** **** Aug. 18, 2009**

(54) **CONTAINER**

(75) Inventors: **David A. Miceli**, Sparta, TN (US);
Joseph A. Miceli, Sparta, TN (US)

(73) Assignee: **Tri State Distribution**, Sparta, TN (US)

(**) Term: **14 Years**

(21) Appl. No.: **29/279,070**

(22) Filed: **Apr. 19, 2007**

(51) **LOC (9) Cl.** **09-01**

(52) **U.S. Cl.** **D9/561**

(58) **Field of Classification Search** D9/500,
D9/516, 519, 521–522, 524, 529–530, 537–543,
D9/544–547, 549, 551–554, 556–557, 559–561,
D9/564–567, 569–575, 682–694, 452, 454;
215/382–384

See application file for complete search history.

(56) **References Cited**

U.S. PATENT DOCUMENTS

D11,864 S *	7/1880	Lahey	D9/561
D28,687 S *	5/1898	Paine	D9/546
D85,067 S *	9/1931	Sterrett	D9/561
D88,110 S *	10/1932	Scurlock	D9/522
D109,021 S *	3/1938	Lloyd	D9/522
D190,888 S *	7/1961	Arens et al.	D9/575
D210,865 S *	4/1968	Skolnik et al.	D9/716
3,702,806 A *	11/1972	Oliva	220/23.4 X
D234,416 S *	3/1975	Skolnick	D9/544
D294,730 S *	3/1988	Karbo	D23/218
5,692,640 A	12/1997	Caulfield et al.		

5,866,419 A *	2/1999	Meder	215/382 X
6,260,761 B1	7/2001	Peoples, Jr.		
6,279,759 B1	8/2001	Weisbach		
D467,183 S *	12/2002	Chew	D9/561
6,564,121 B1	5/2003	Wallace et al.		
D478,819 S *	8/2003	Pfaeffli et al.	D9/559
D500,448 S *	1/2005	Krunas	D9/572
D555,506 S *	11/2007	Auer	D9/690
D563,666 S *	3/2008	Davis	D3/202
D578,896 S *	10/2008	Herman	D9/541
D582,292 S *	12/2008	Short et al.	D9/561
D585,707 S *	2/2009	Weinstein	D7/612

* cited by examiner

Primary Examiner—Carol Rademaker

(74) *Attorney, Agent, or Firm*—Waddey & Patterson, P.C.;
Phillip E. Walker

(57) **CLAIM**

The ornamental design for a container, as shown and described.

DESCRIPTION

FIG. 1 is a top, front and right side perspective view of a container of the claimed design;

FIG. 2 is a front elevational view thereof;

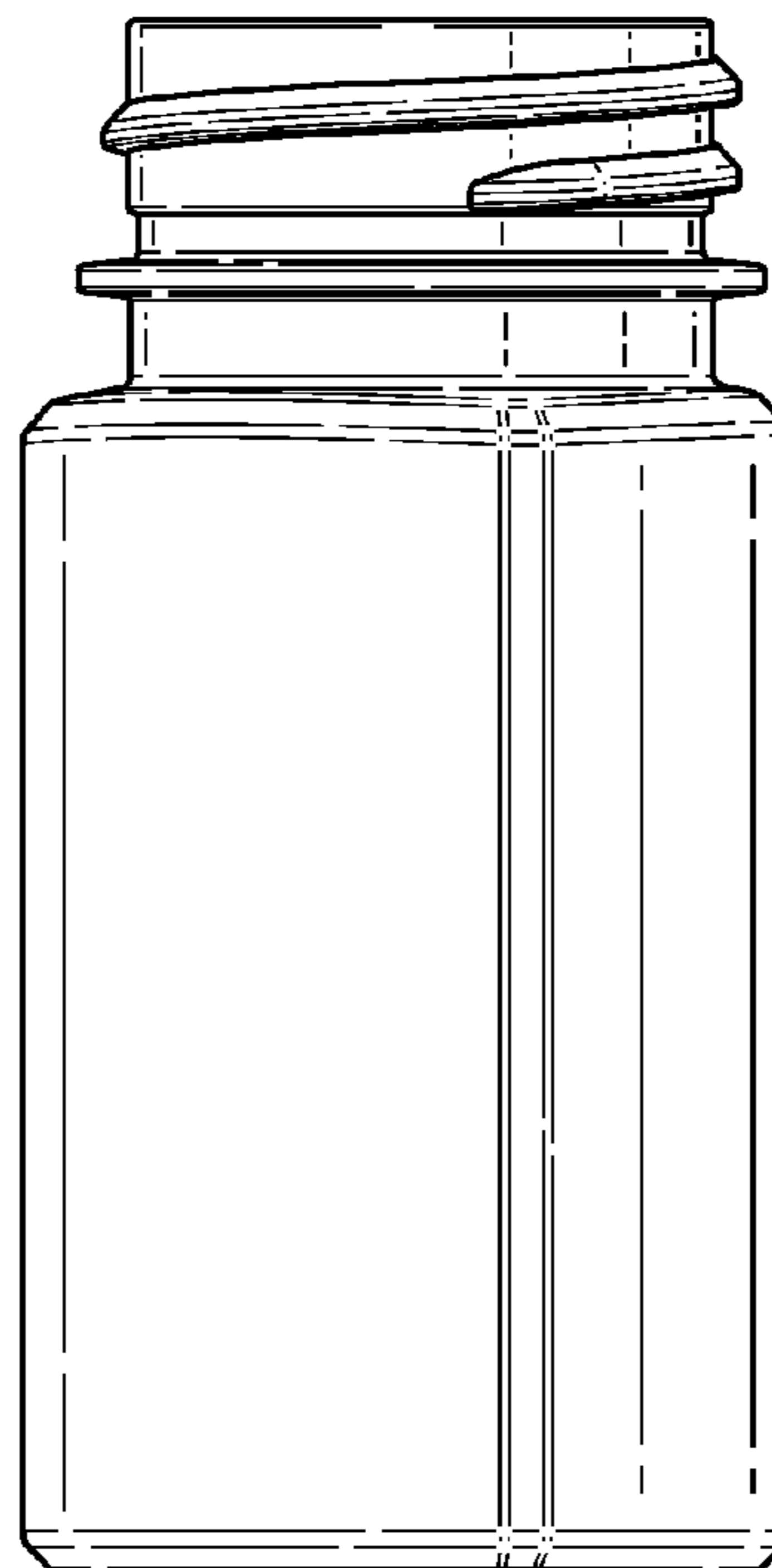
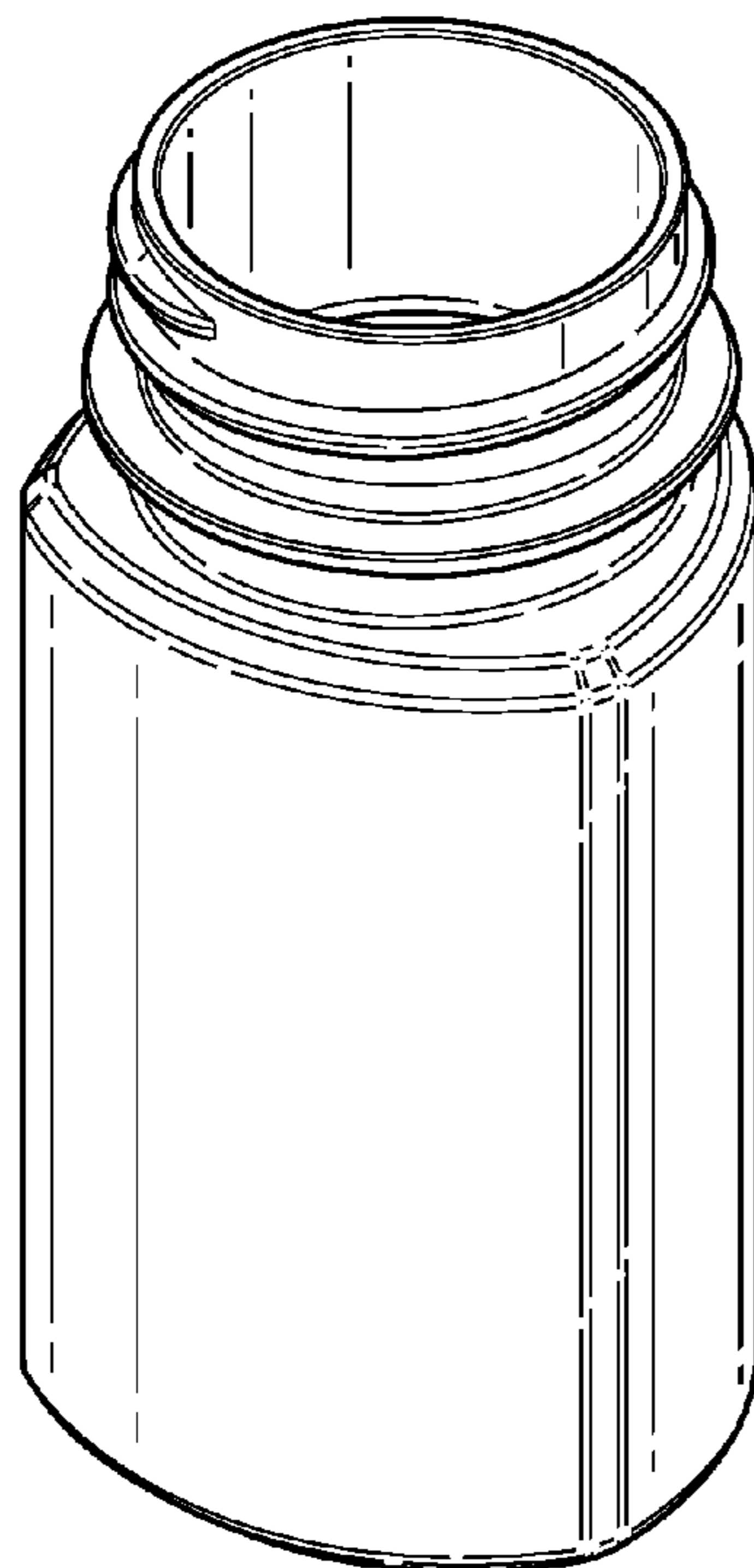
FIG. 3 is a back elevational view thereof;

FIG. 4 is a top plan view thereof;

FIG. 5 is a left side elevational view thereof; and,

FIG. 6 is a right side elevational view thereof.

1 Claim, 2 Drawing Sheets



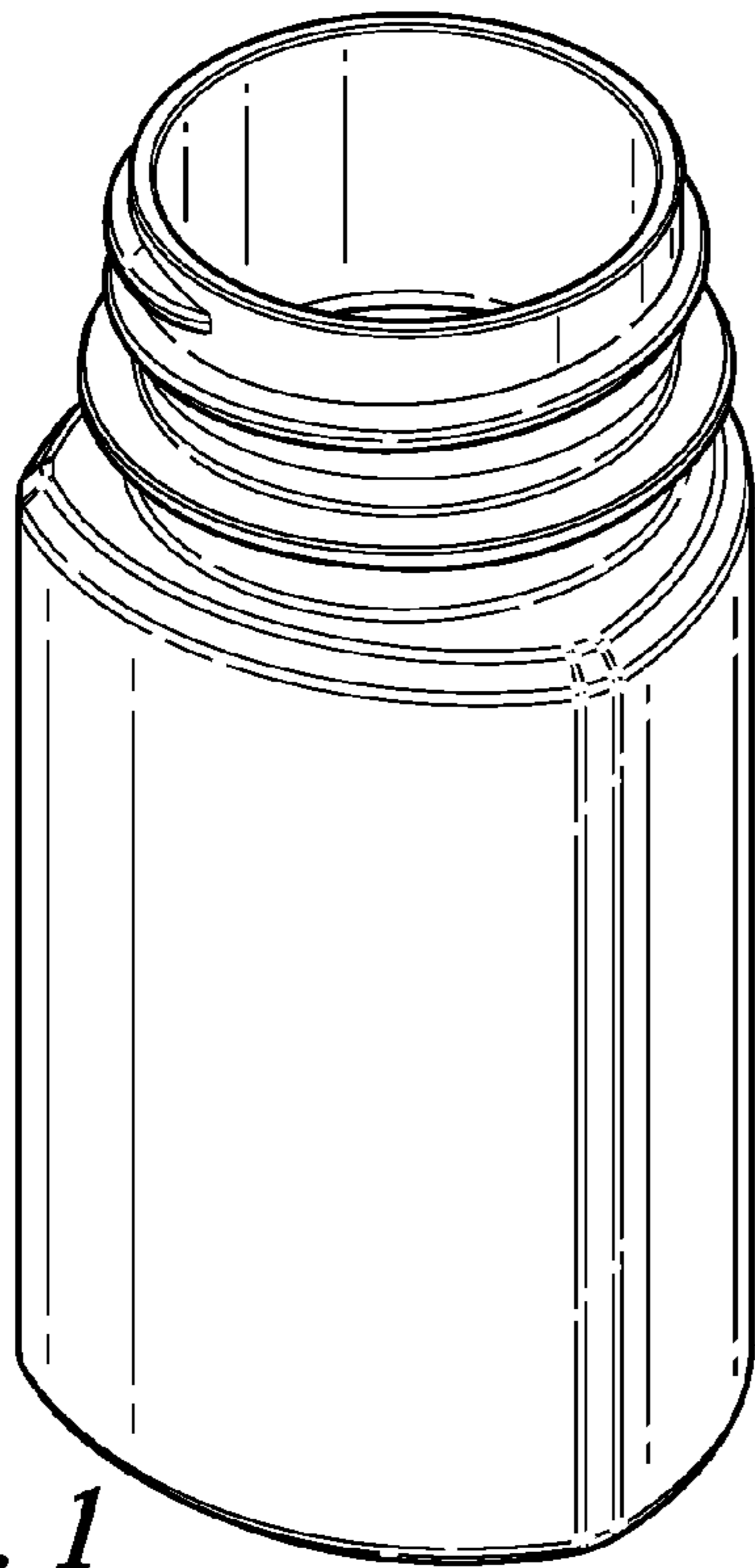


FIG. 1

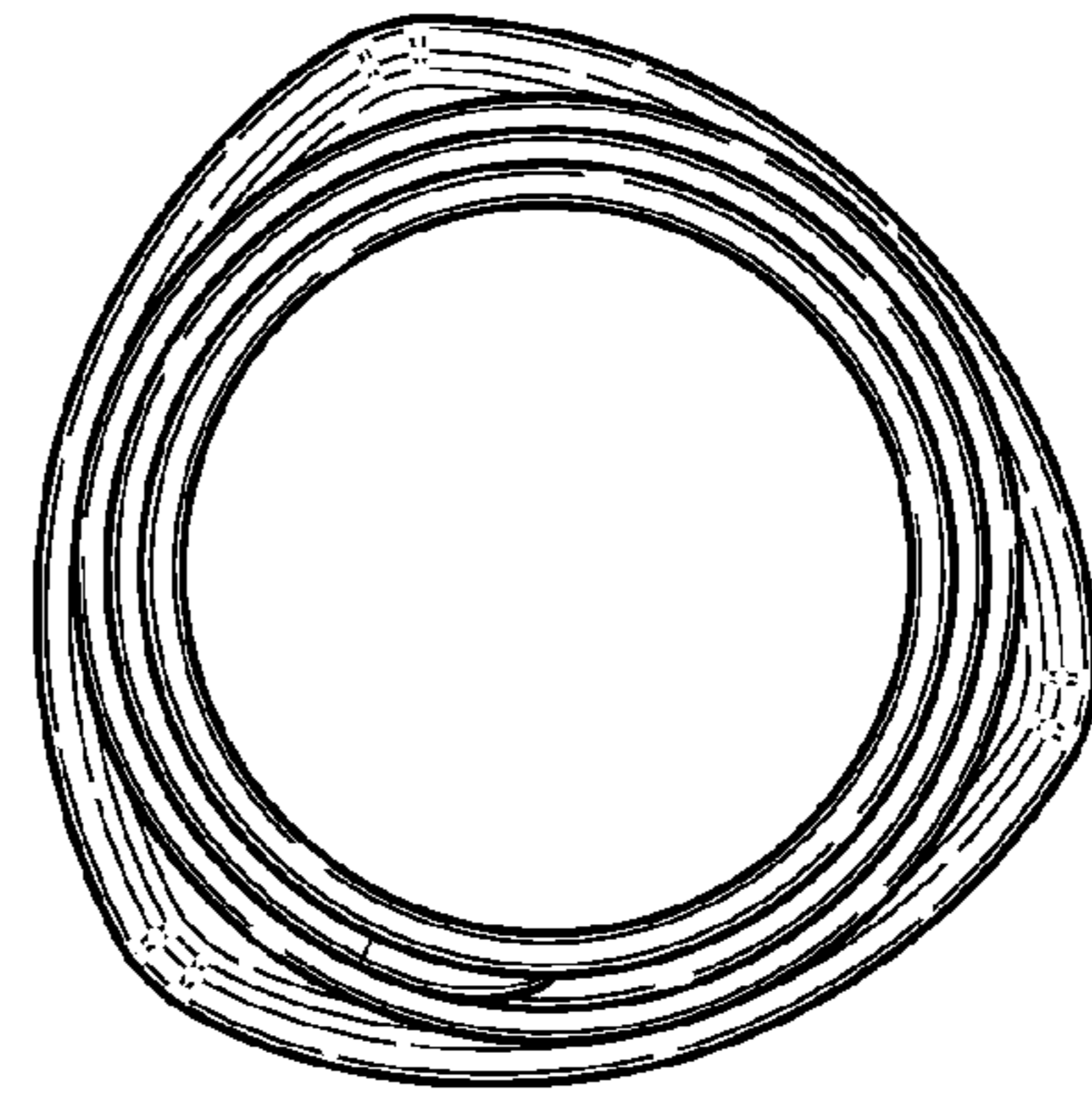


FIG. 4

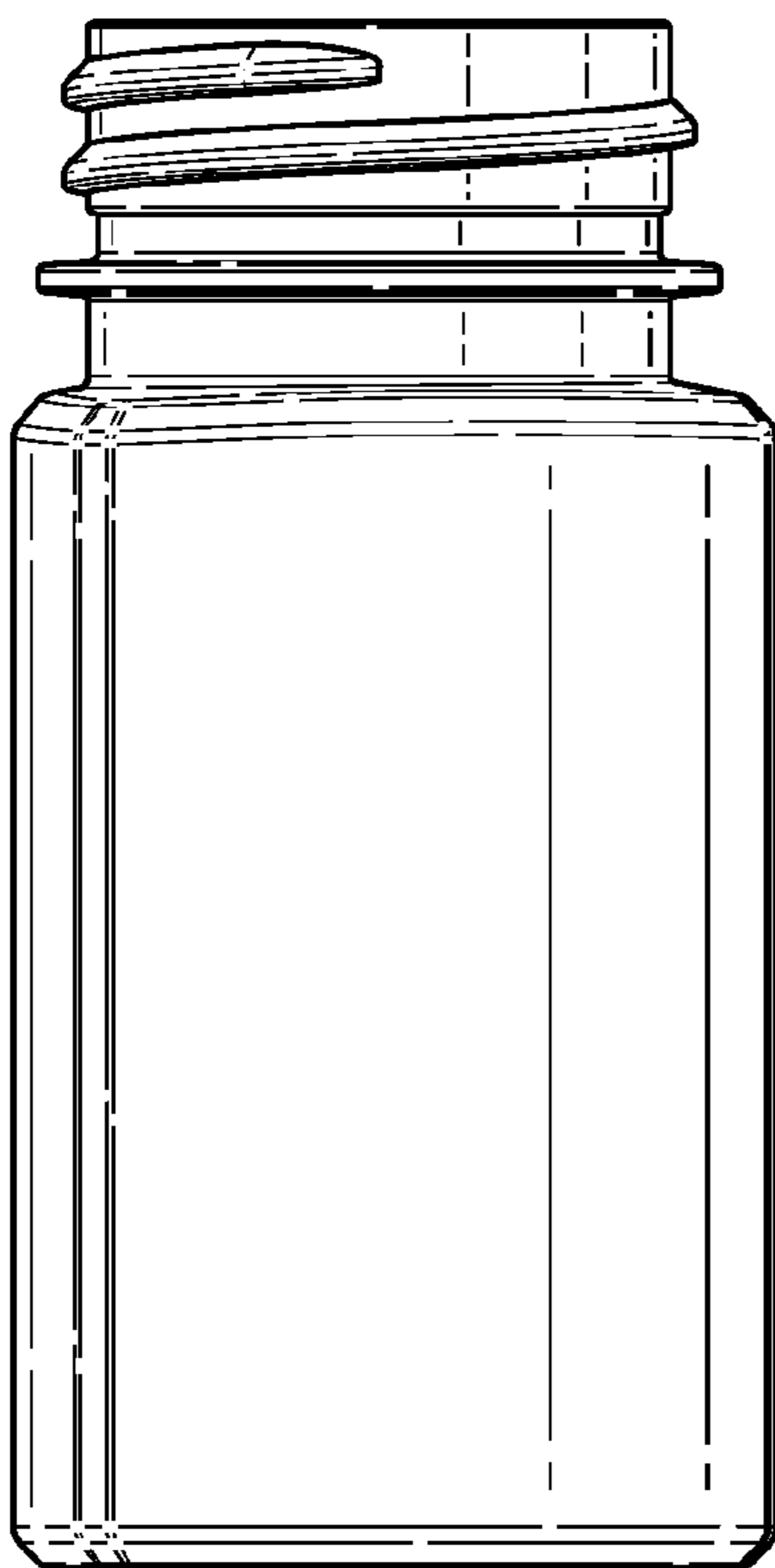


FIG. 2

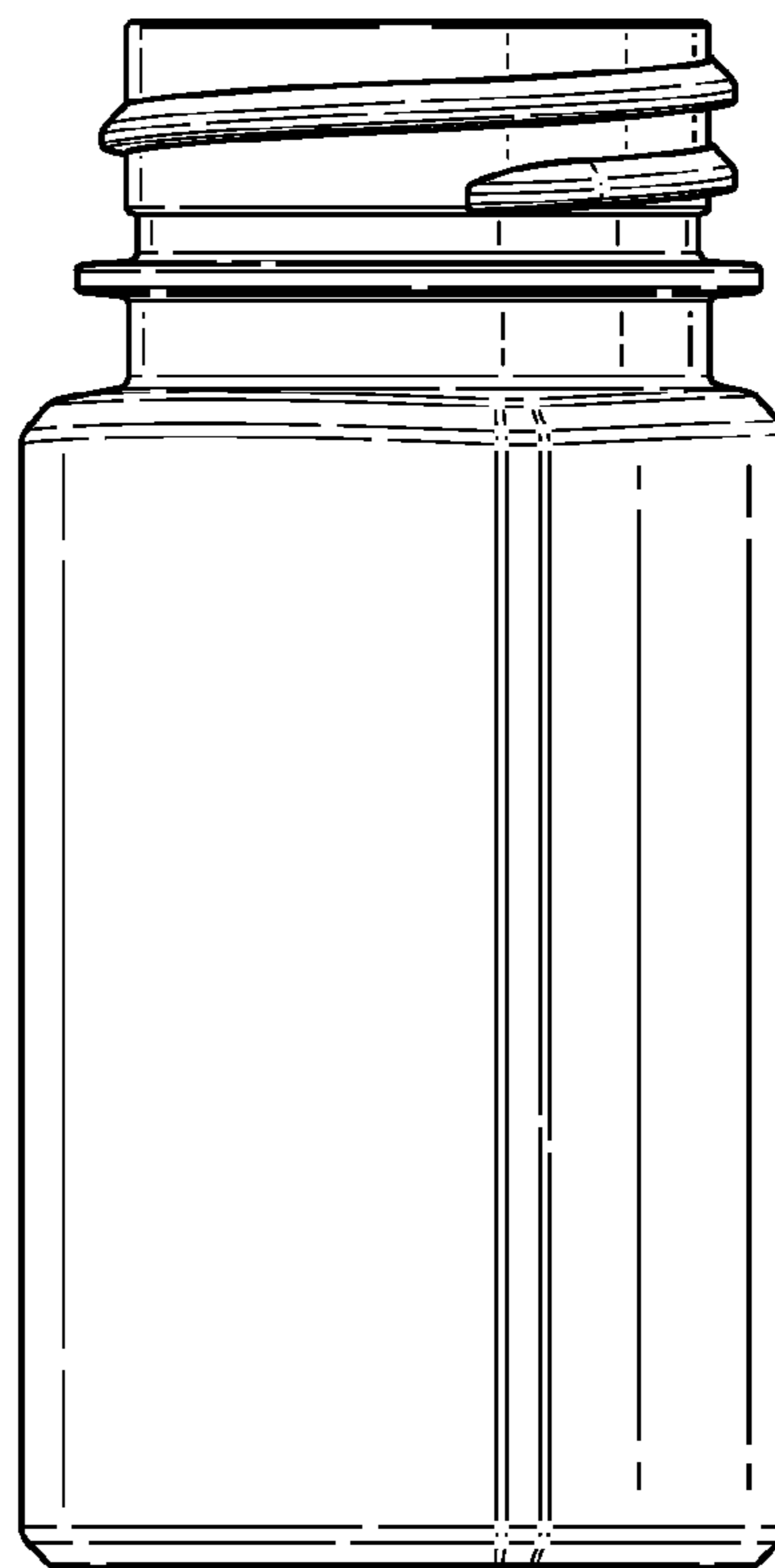


FIG. 3

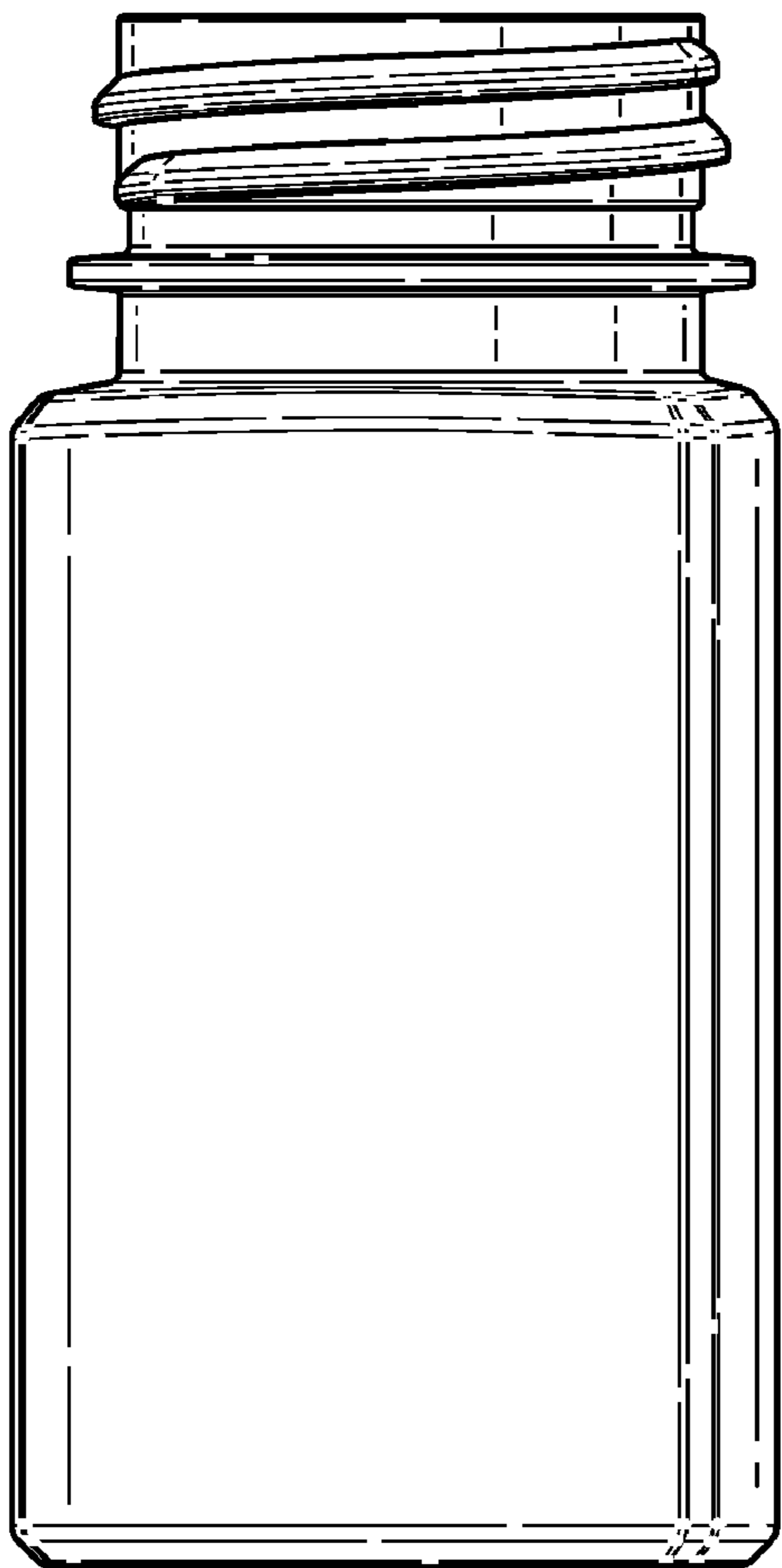


FIG. 5

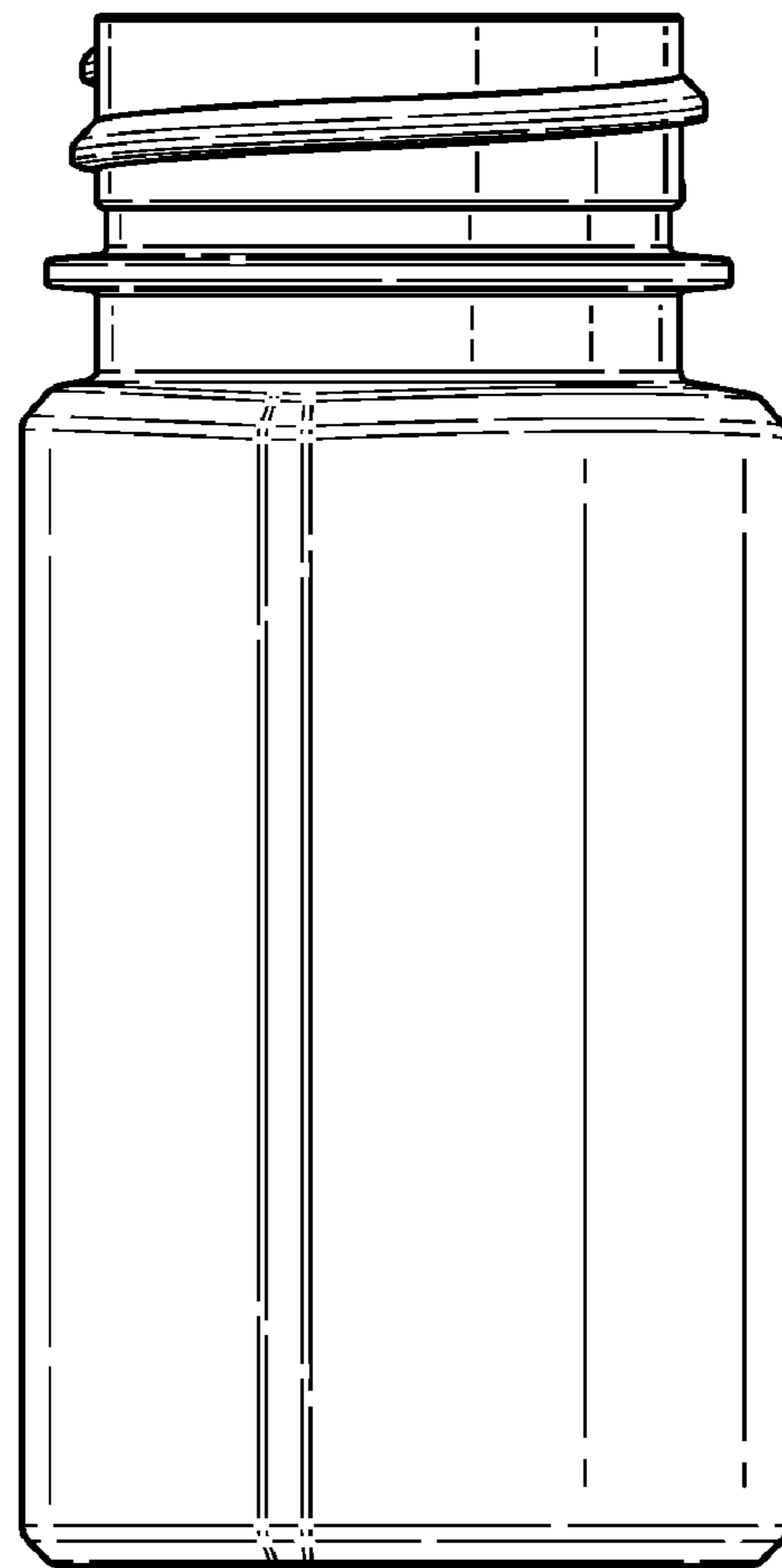


FIG. 6