



US00D598294S

(12) **United States Design Patent**  
**Van Diepen**

(10) **Patent No.:** **US D598,294 S**

(45) **Date of Patent:** **\*\* Aug. 18, 2009**

(54) **BOTTLE**

D260,366 S \* 8/1981 Neu ..... D9/558

D469,022 S \* 1/2003 Kuzma et al. .... D9/550

D471,462 S \* 3/2003 May et al. .... D9/529

(75) Inventor: **Jacobus Simon Petrus Van Diepen**,  
Ludwigshafen (DE)

(73) Assignee: **Reckitt Benckiser N.V.**, Hoofddorp  
(NL)

\* cited by examiner

*Primary Examiner*—Nanda Bondade

(\*\*) Term: **14 Years**

(21) Appl. No.: **29/281,978**

(57) **CLAIM**

The ornamental design for a bottle, as shown and described.

(22) Filed: **Jul. 9, 2007**

(30) **Foreign Application Priority Data**

**DESCRIPTION**

Jan. 16, 2007 (EM) ..... 000652631

(51) **LOC (9) Cl.** ..... **09-01**

(52) **U.S. Cl.** ..... **D9/558; D9/542; D9/549**

(58) **Field of Classification Search** ..... D9/516,  
D9/520, 541–543, 530, 535–536, 538, 539,  
D9/546, 552, 554, 560, 565, 569–570, 574–575,  
D9/8; 215/12.1–12.2, 13.1, 381–385, 396,  
215/398

See application file for complete search history.

FIG. 1 is a perspective view of the top and front of the bottle;

FIG. 2 is a side elevational view thereof, the opposite being identical;

FIG. 3 is a front elevational view thereof, the rear elevational view being identical;

FIG. 4 is a top plan view thereof; and,

FIG. 5 is a bottom plan view thereof.

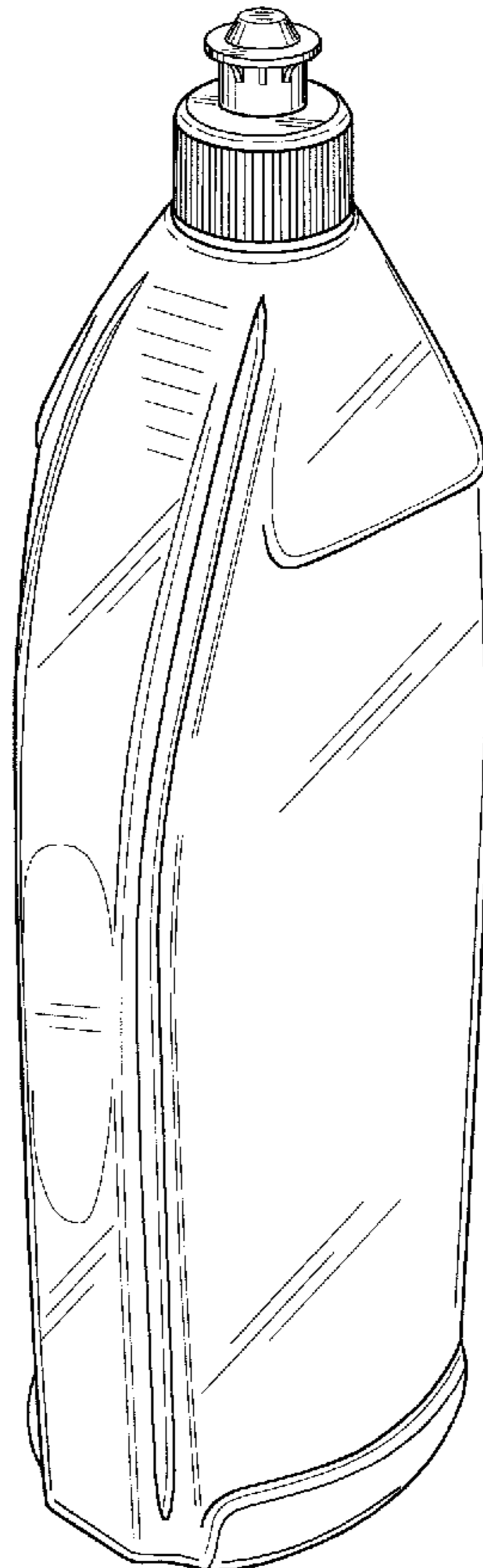
The broken lines represent an internal boundary of the design, with the line itself and the area within, forming no part of the claimed design.

(56) **References Cited**

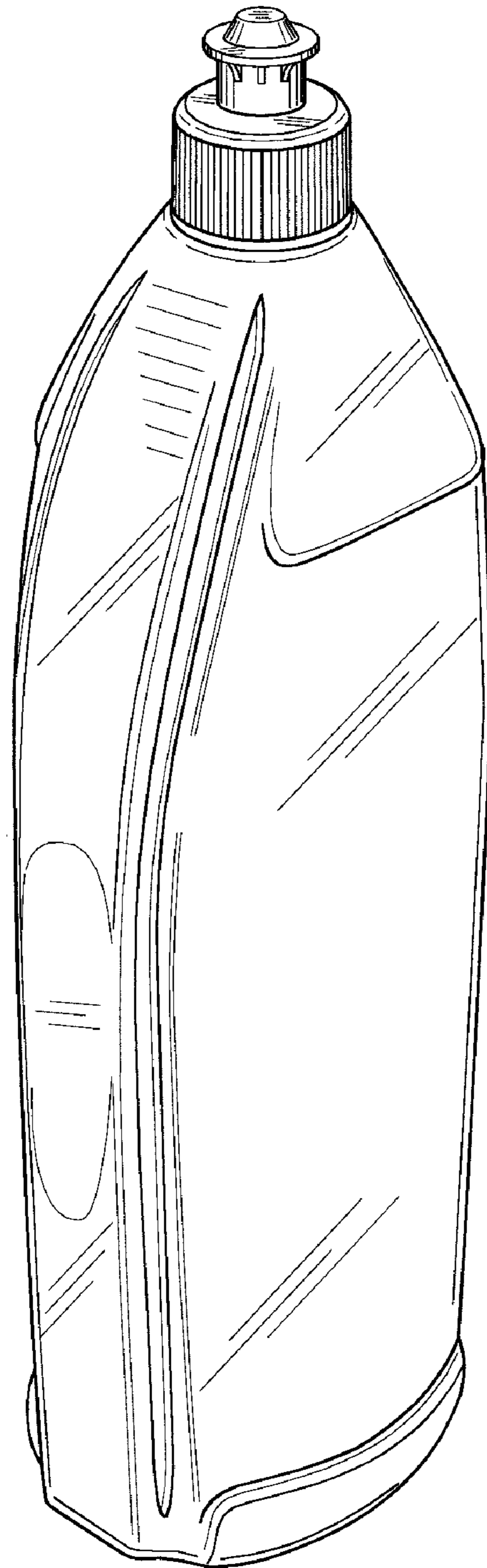
**U.S. PATENT DOCUMENTS**

D257,504 S \* 11/1980 Weckman ..... D9/563

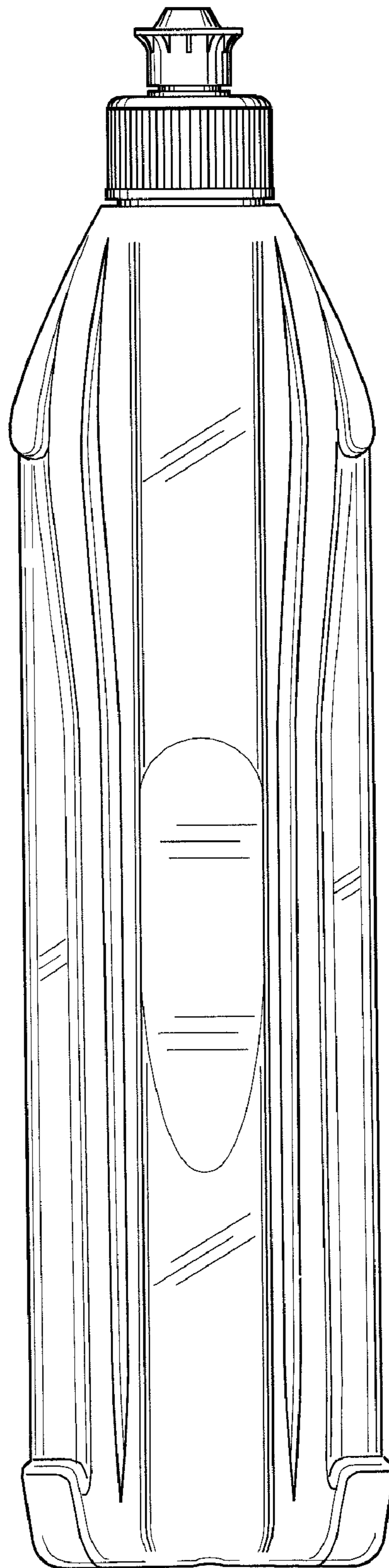
**1 Claim, 4 Drawing Sheets**



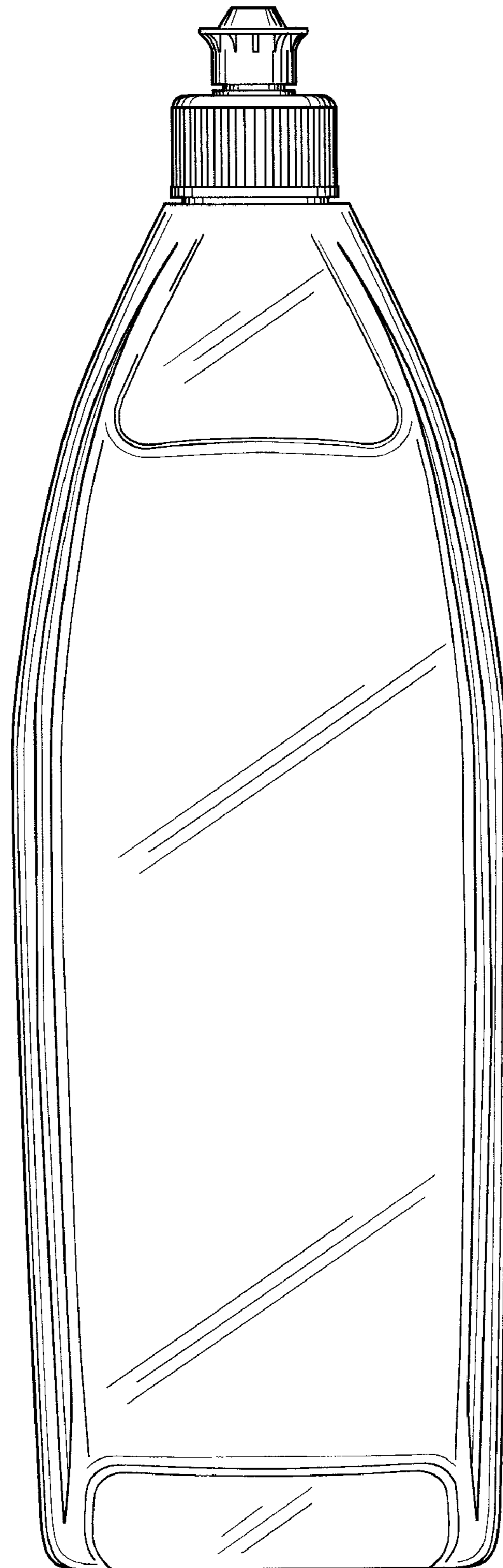
**FIG. 1**



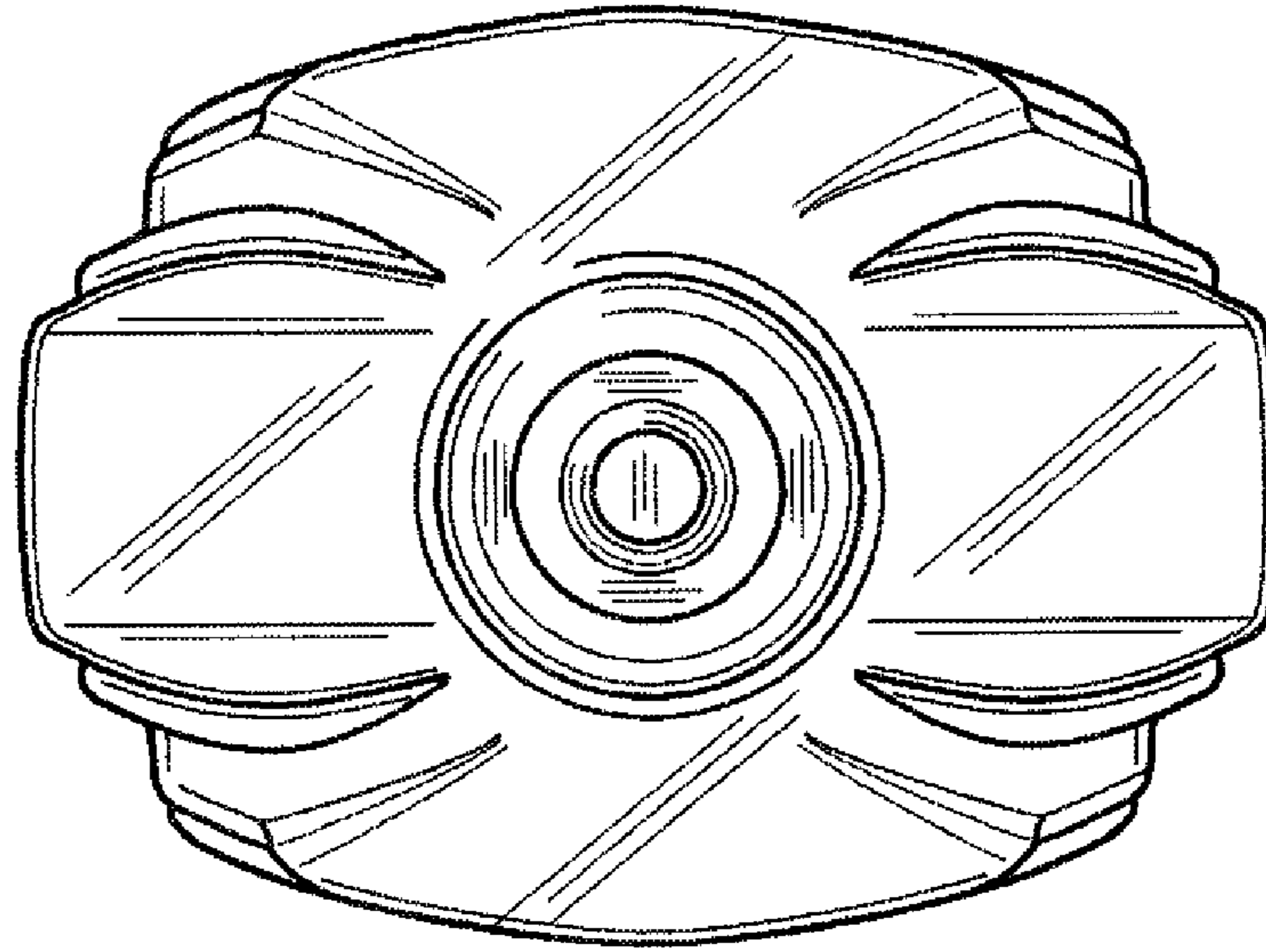
**FIG. 2**



**FIG. 3**



**FIG. 4**



**FIG. 5**

