



US00D598293S

(12) **United States Design Patent**
Liu et al.

(10) **Patent No.:** **US D598,293 S**

(45) **Date of Patent:** **** Aug. 18, 2009**

(54) **PRODUCT DISPENSER**

D555,490 S * 11/2007 Liu D9/549

(75) Inventors: **Zemin Liu**, Guangzhou (CN);
WenXiong Huang, Guangzhou (CN)

(73) Assignee: **Wm. Wrigley Jr. Company**, Chicago,
IL (US)

(**) Term: **14 Years**

(21) Appl. No.: **29/276,789**

(22) Filed: **Feb. 6, 2007**

(51) **LOC (9) Cl.** **09-01**

(52) **U.S. Cl.** **D9/549**; D9/558; D9/571;
D9/438

(58) **Field of Classification Search** D9/500,
D9/502–505, 516, 529, 549, 558, 682, 686,
D9/688–692, 905, 518, 446, 571; D3/203.2,
D3/203.3; D28/7–8, 76, 78, 82, 91; 215/379–385;
220/660, 662, 669, 675

See application file for complete search history.

(56) **References Cited**

U.S. PATENT DOCUMENTS

4,393,975	A	*	7/1983	Moore	206/385
D312,044	S	*	11/1990	Davis	D9/438
D330,677	S	*	11/1992	Thornock et al.	D9/558
D353,328	S	*	12/1994	Nuffer	D9/446
D360,134	S	*	7/1995	Snyder	D9/520
D373,084	S		8/1996	Choi		
D381,906	S	*	8/1997	Bartsch	D9/438
D446,456	S		8/2001	Adachi et al.		
D451,810	S	*	12/2001	Weinstock	D9/524
D474,405	S		5/2003	Togasawa		
D503,075	S		3/2005	Martin		
D507,753	S		7/2005	Lamb et al.		
D509,434	S		9/2005	Haruta		
D552,993	S		10/2007	Rathbone		
D554,508	S	*	11/2007	YunFu	D9/520

OTHER PUBLICATIONS

Wrigley's Innovations—Big-E Opportunities. Business Week [online]. [retrieved Jul. 18, 2007]. Retrieved from the internet <http://images.businessweek.com/ss/07/03/0326_wrigley/index_01.htm>.*

* cited by examiner

Primary Examiner—Ian Simmons

Assistant Examiner—Dana L Sipos

(74) *Attorney, Agent, or Firm*—Rebecca A. Aumann

(57) **CLAIM**

The ornamental design for a product dispenser, as shown and described.

DESCRIPTION

FIG. 1 is a top perspective view of a product dispenser showing our new design, shown in the sealed position;

FIG. 2 is a top perspective view thereof, shown in an open position;

FIG. 3 is a front elevation view of the product dispenser of FIG. 1;

FIG. 4 is a rear elevation view thereof;

FIG. 5 is a left side elevation view thereof;

FIG. 6 is a right side elevation view thereof;

FIG. 7 is a top plan view thereof;

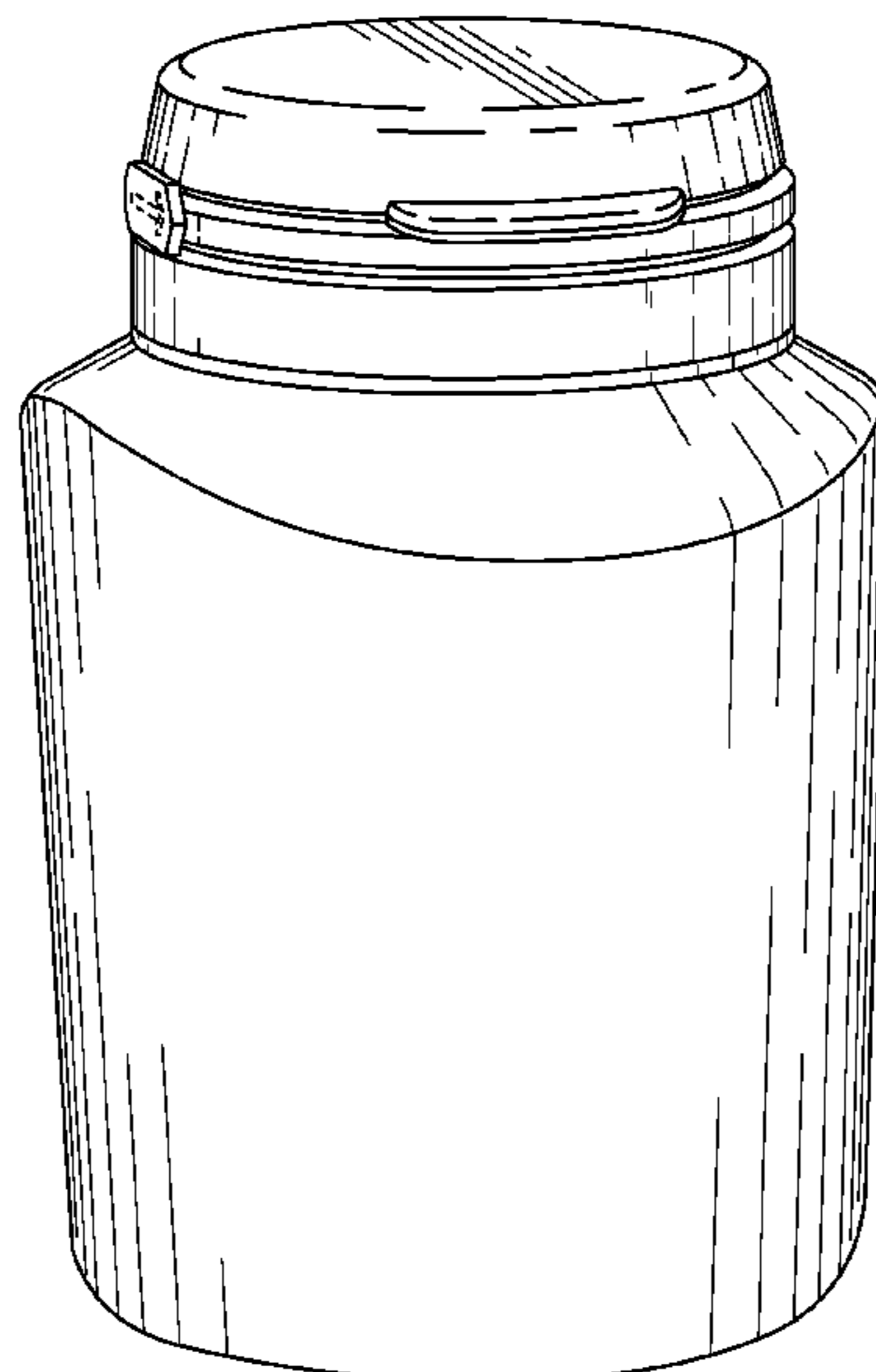
FIG. 8 is a bottom plan view thereof;

FIG. 9 is a front elevation view of the product dispenser of FIG. 2; and,

FIG. 10 is a left side elevation view thereof.

The broken lines in the drawings illustrate the portions of the design that form no part of the claim.

1 Claim, 7 Drawing Sheets



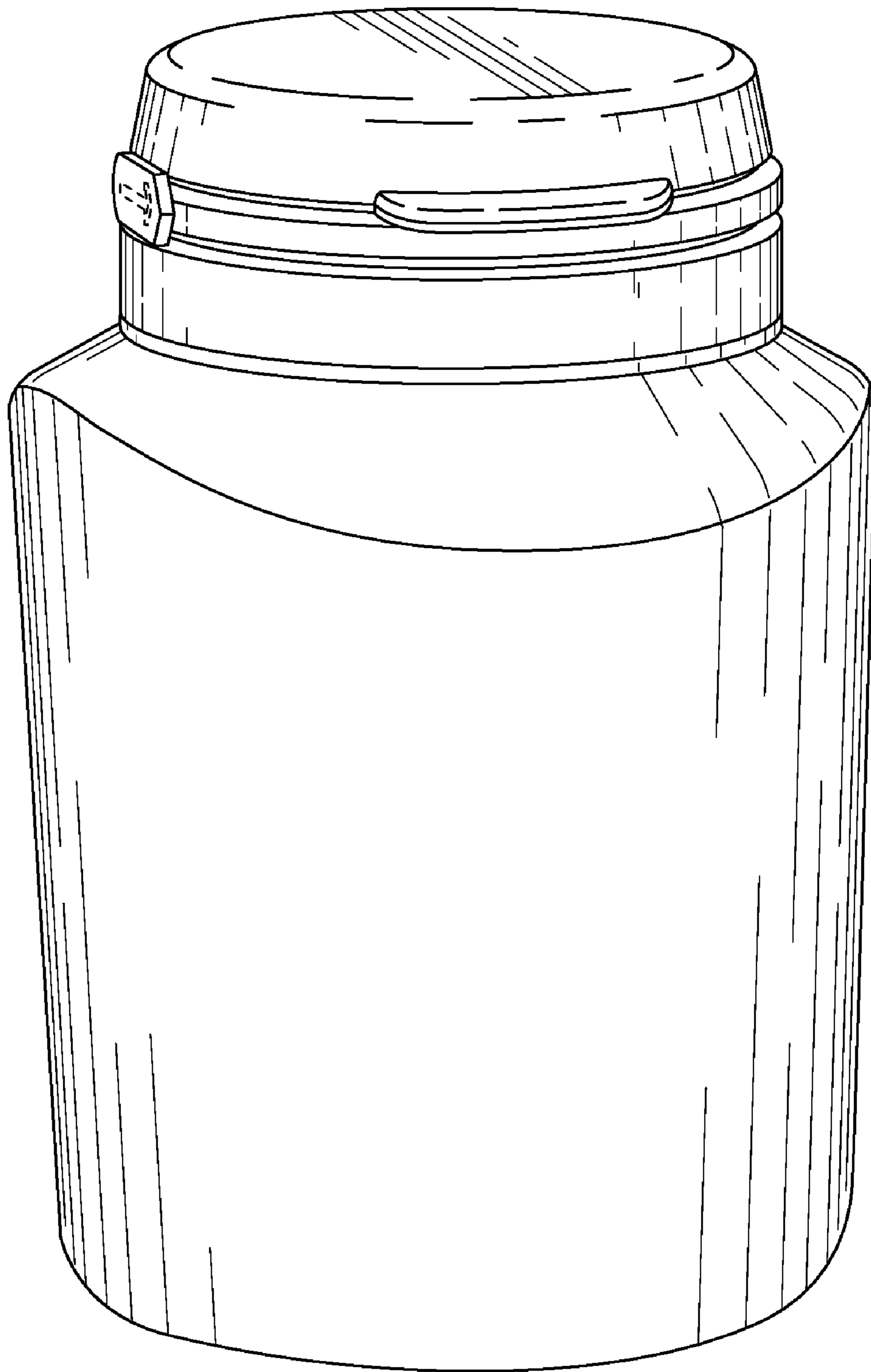


FIG. 1

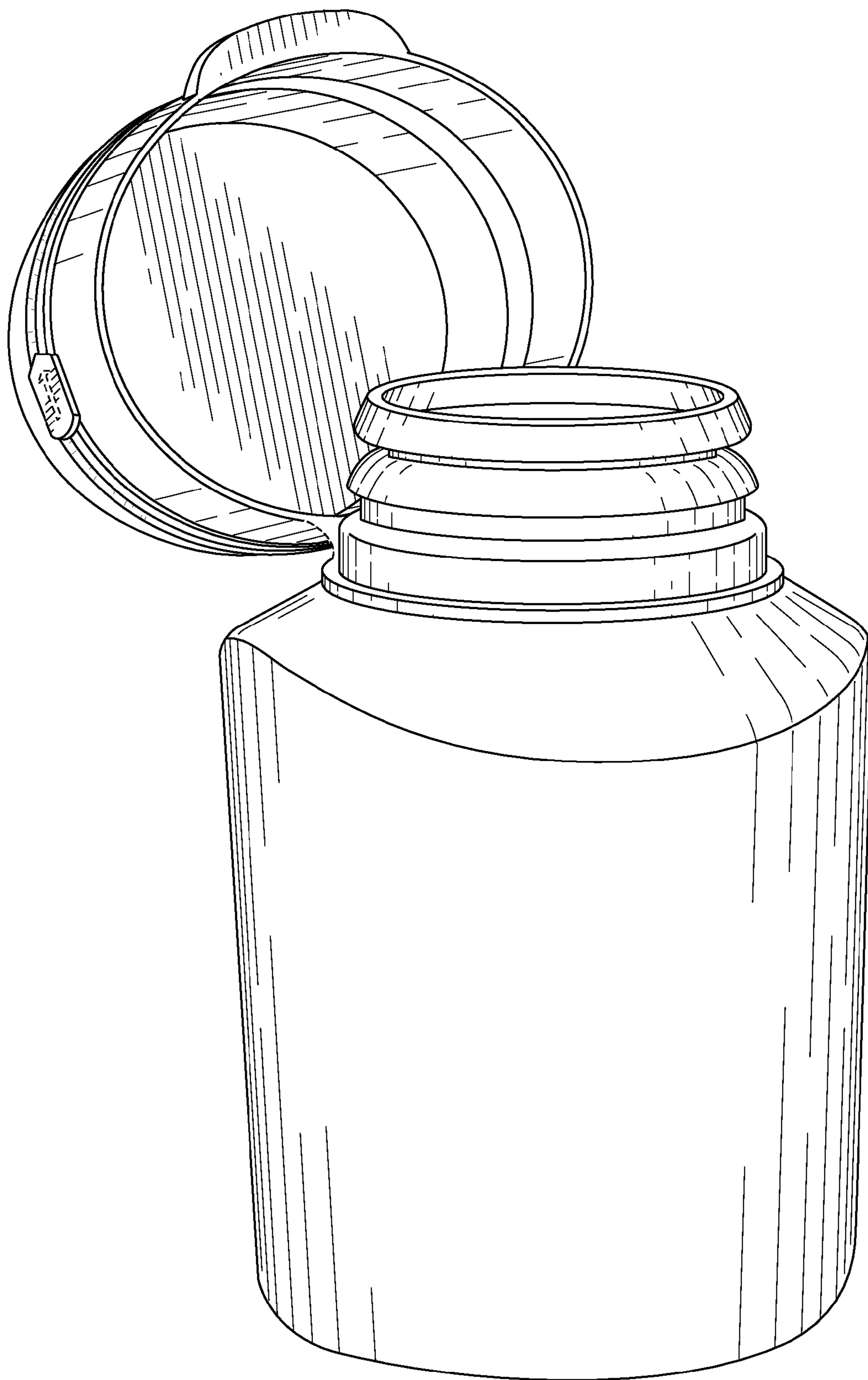


FIG. 2

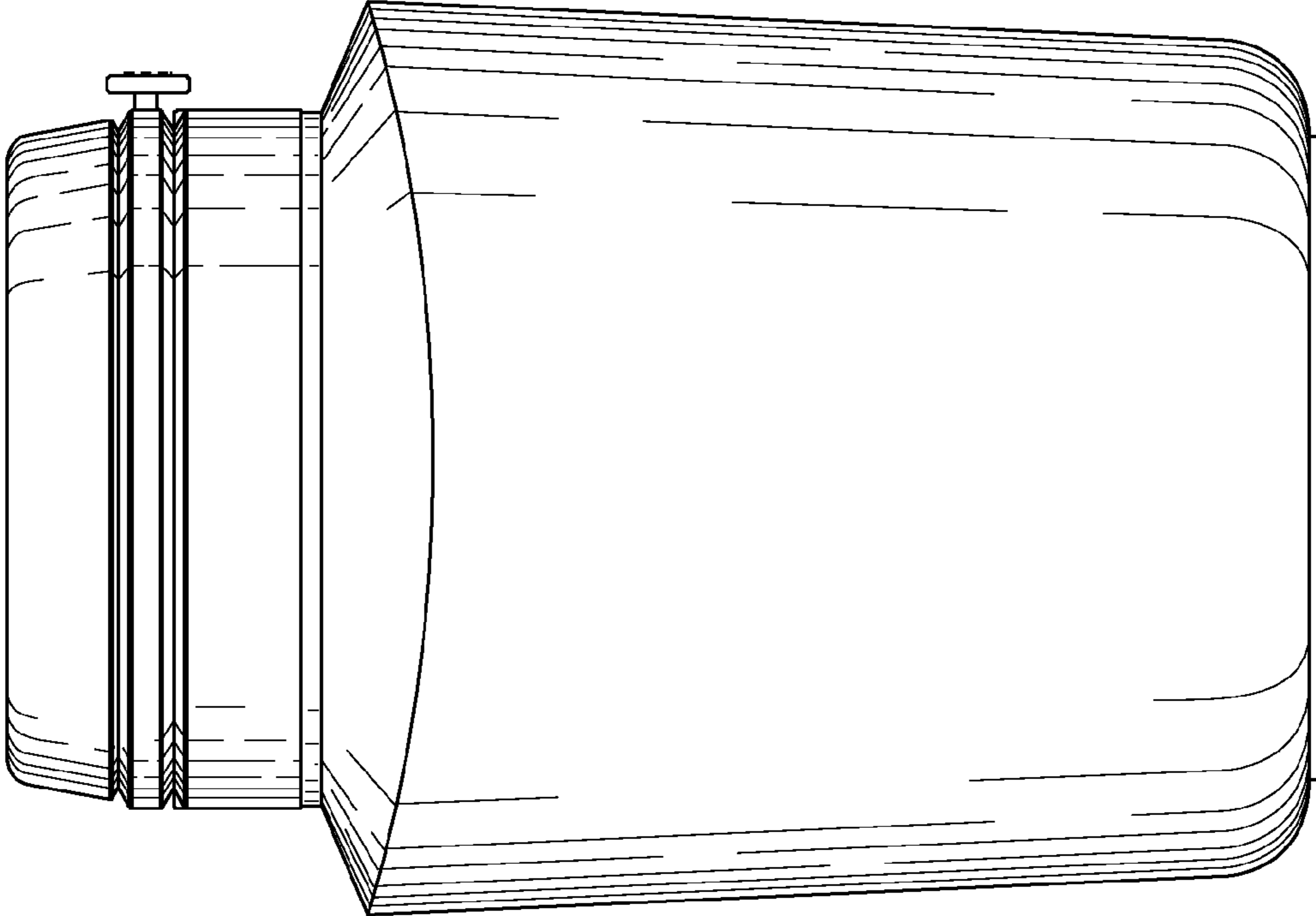


FIG. 4

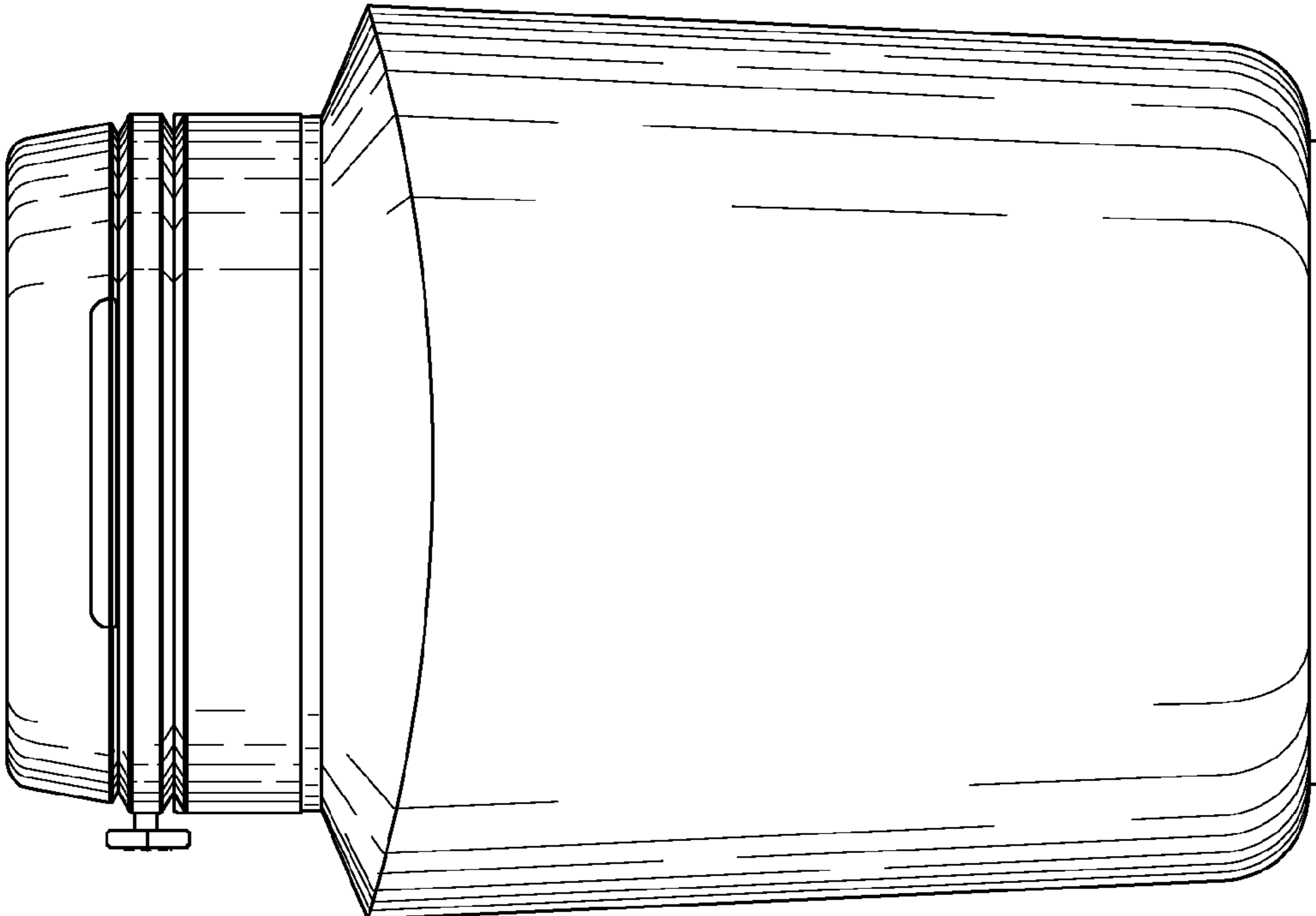


FIG. 3

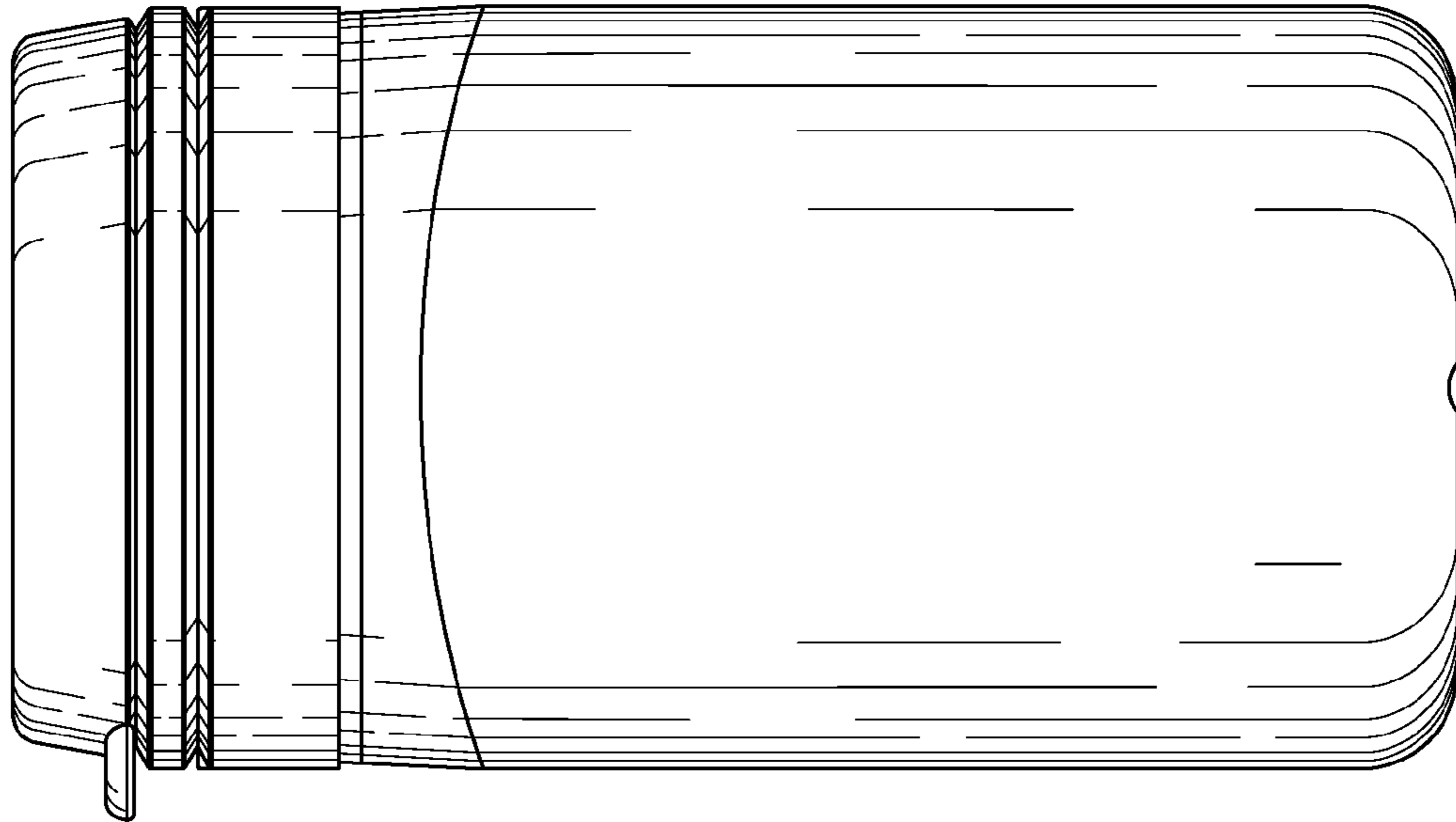


FIG. 6

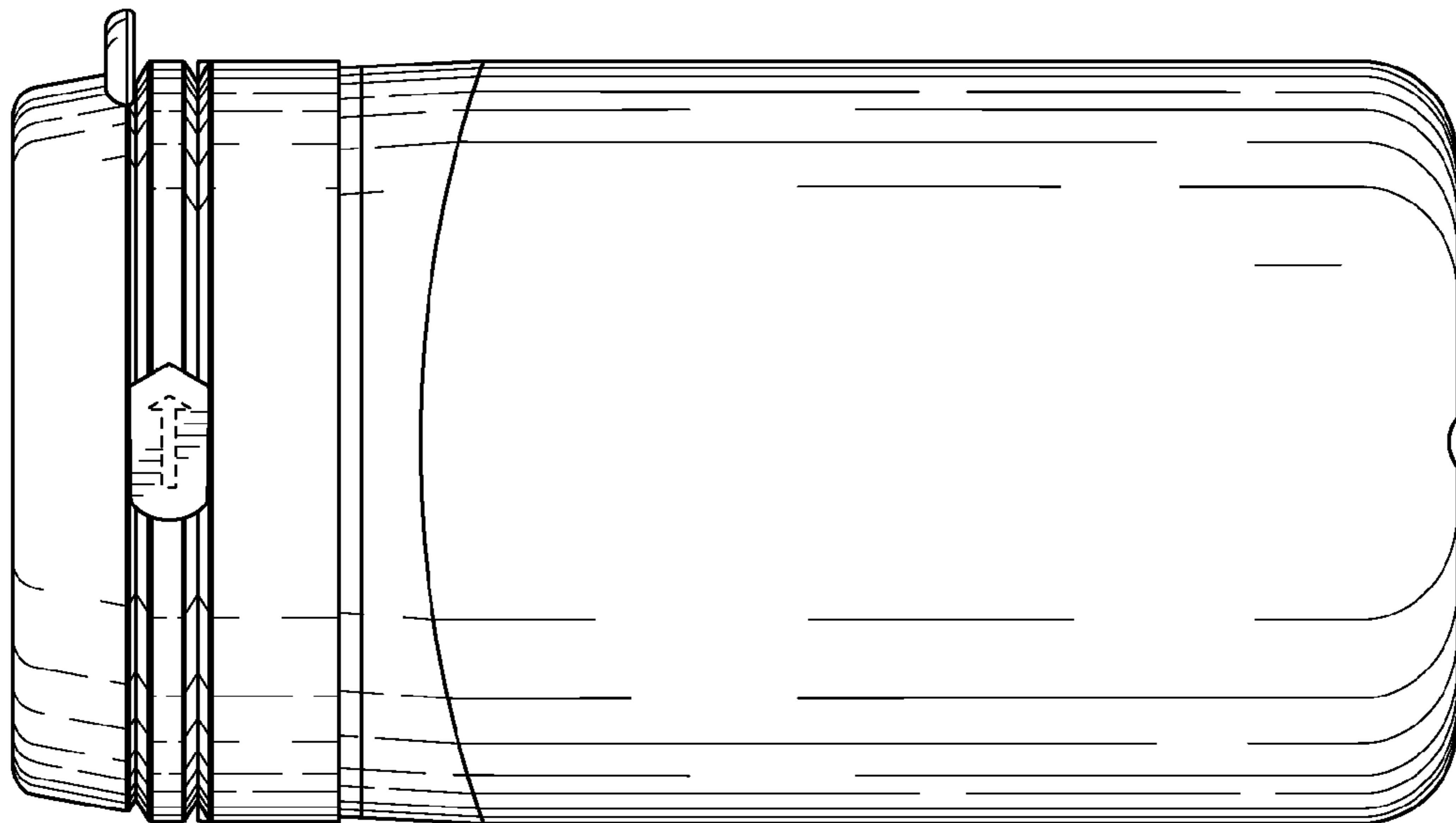


FIG. 5

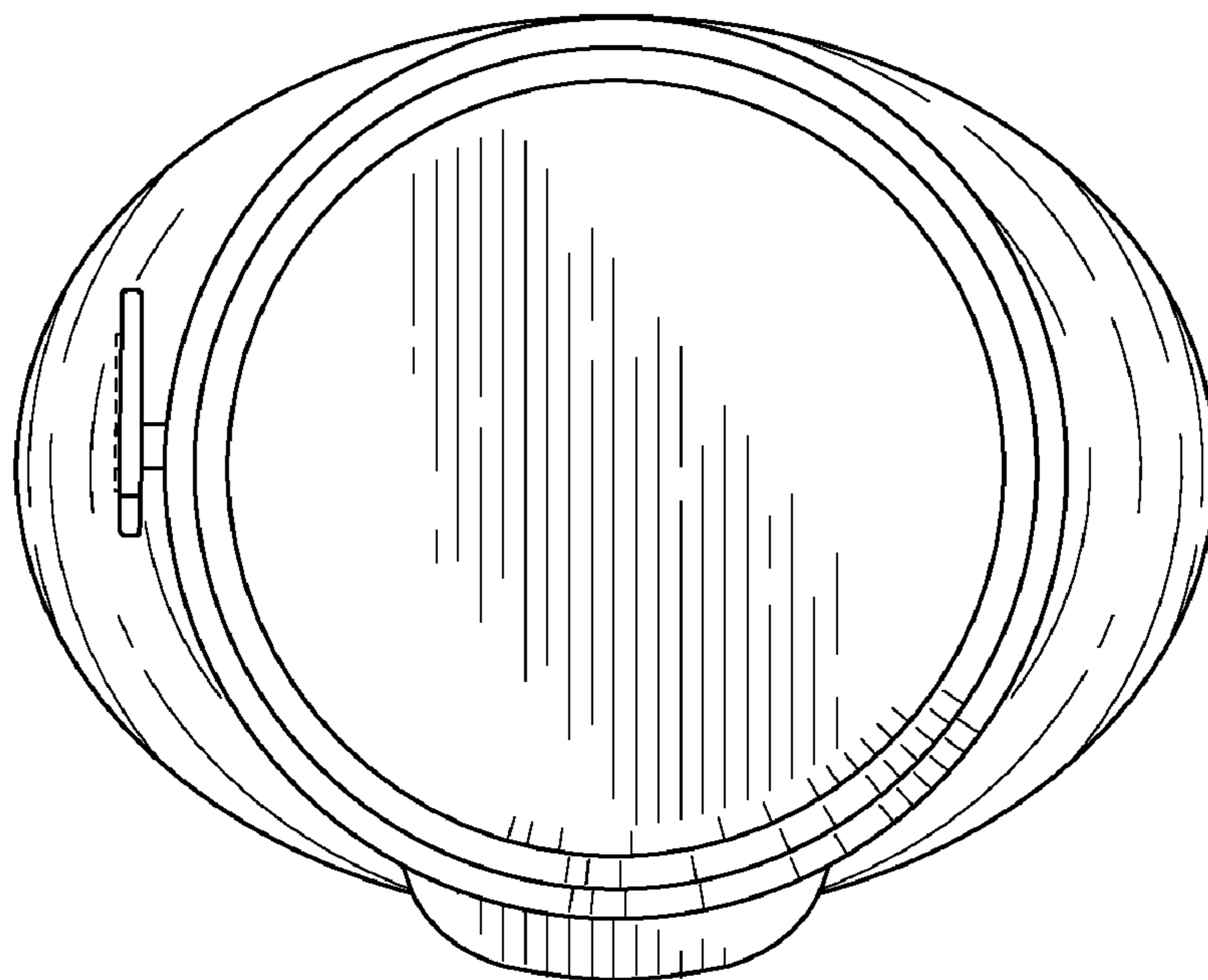


FIG. 7

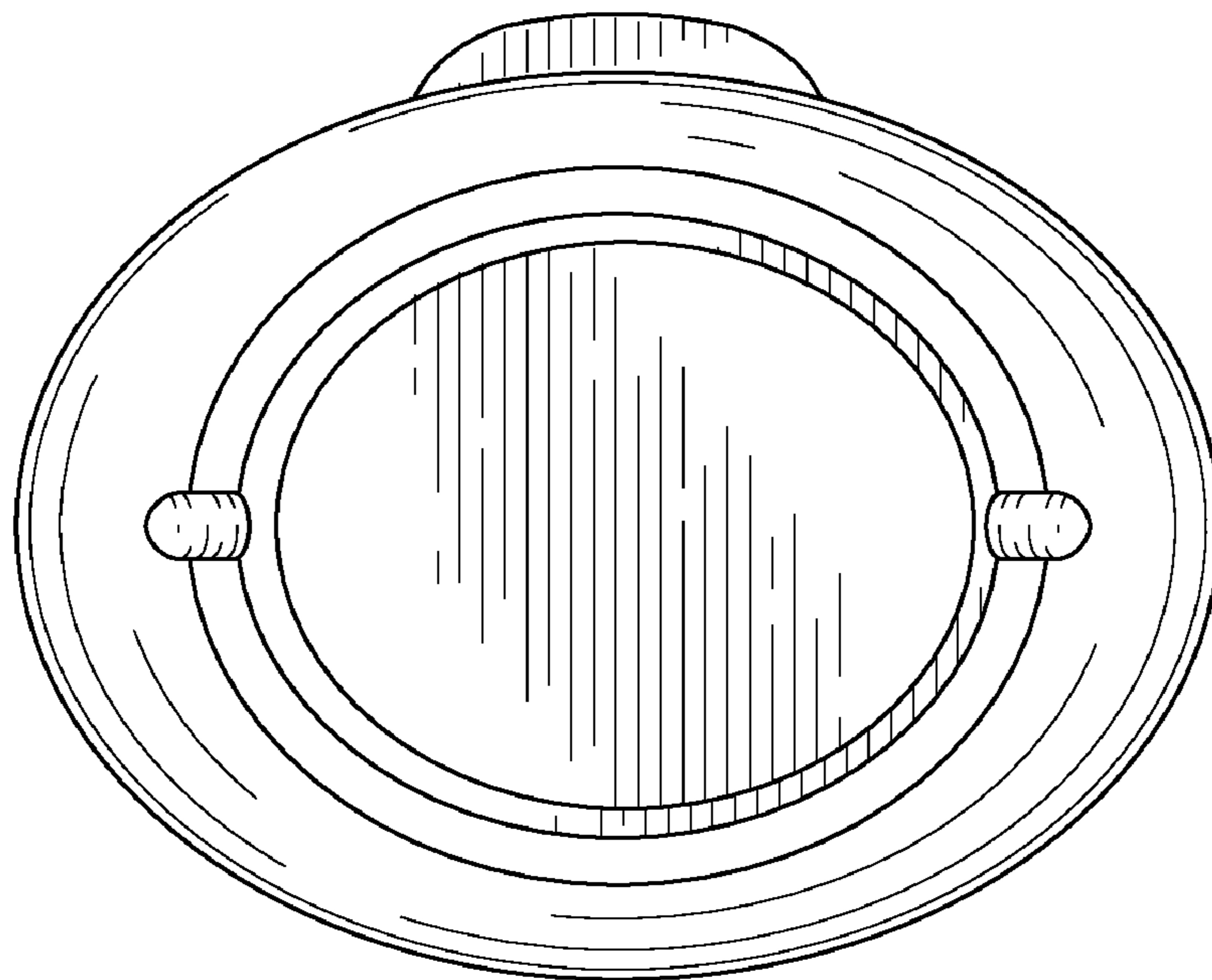


FIG. 8

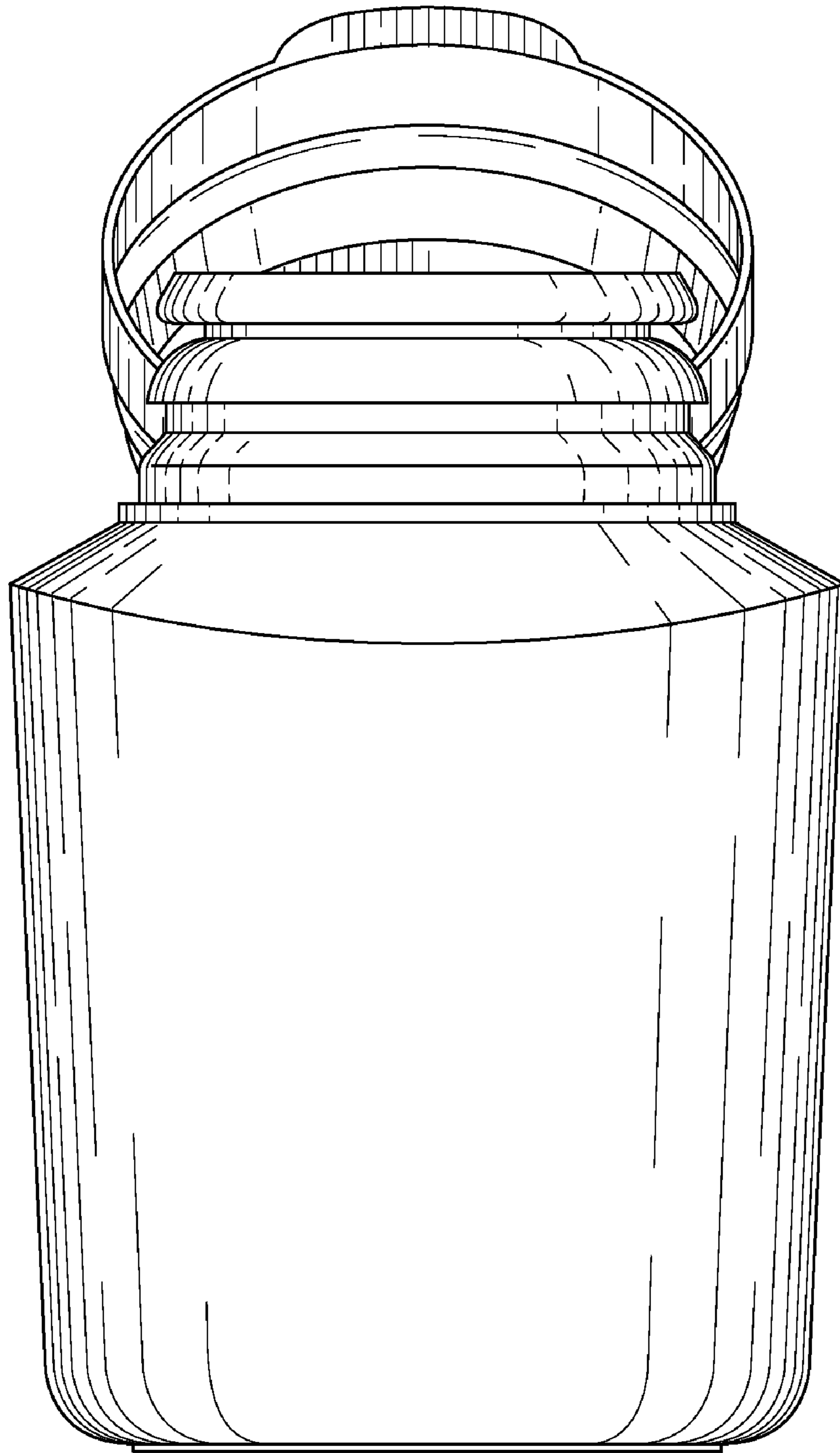


FIG. 9

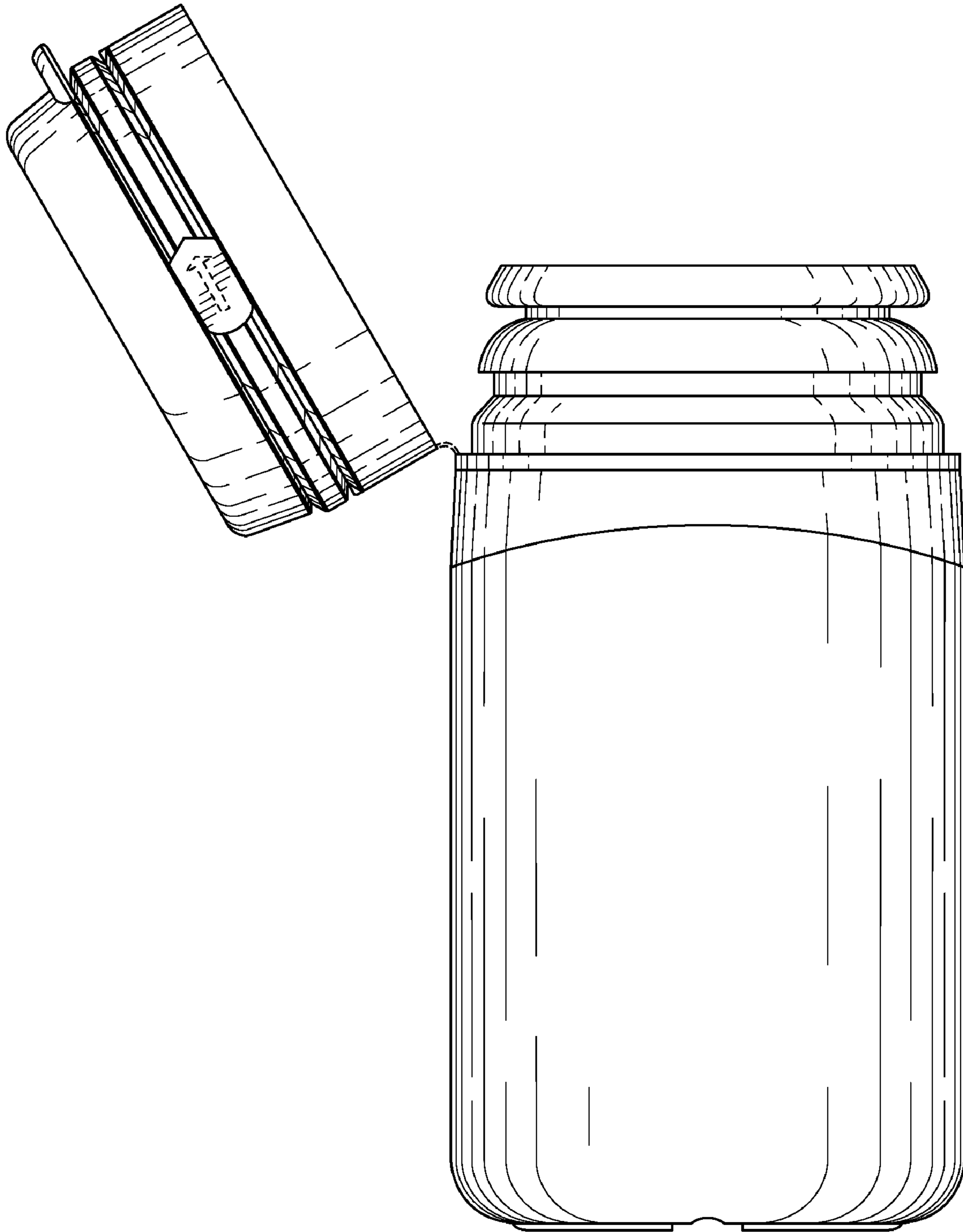


FIG. 10