

US00D598286S

(12) **United States Design Patent**
DeMarco

(10) **Patent No.:** **US D598,286 S**

(45) **Date of Patent:** **** Aug. 18, 2009**

(54) **CONTAINER**

(75) Inventor: **Jenny DeMarco**, Addison, TX (US)

(73) Assignee: **Mary Kay Inc.**, Dallas, TX (US)

(**) Term: **14 Years**

(21) Appl. No.: **29/327,675**

(22) Filed: **Nov. 11, 2008**

Related U.S. Application Data

(62) Division of application No. 29/297,697, filed on Nov. 15, 2007, now Pat. No. Des. 580,267.

(51) **LOC (9) Cl.** **09-01**

(52) **U.S. Cl.** **D9/500; D9/545; D9/690;**
D9/692

(58) **Field of Classification Search** D9/50,
D9/502-505, 516, 549, 558, 682, 686, 688-692,
D9/537, 539, 545; D28/76, 78, 82; 215/379,
215/381-382; 220/660, 662, 669, 675

See application file for complete search history.

(56) **References Cited**

U.S. PATENT DOCUMENTS

D6,116 S *	9/1872	Adams et al.	D9/550
D52,480 S *	9/1918	Hoffman	D9/772
D52,798 S *	12/1918	Hoffman	D21/626
D97,831 S	12/1935	Avedon	D9/504
D247,283 S	2/1978	Weckman	D9/544
D255,544 S	6/1980	Humphries	D9/764
D256,776 S	9/1980	Monnet	D9/500
D256,886 S	9/1980	DiScala	D9/529
D260,610 S	9/1981	Grip	D9/571
D261,231 S	10/1981	Grip	D9/520
D261,232 S	10/1981	Grip	D9/520
D271,565 S	11/1983	Slater	D9/520
D277,076 S	1/1985	Biesecker	D9/500
D278,520 S	4/1985	Hamtak	D11/2
D286,024 S	10/1986	Murukurthy	D9/764
D286,025 S	10/1986	Murukurthy	D9/764
D291,778 S	9/1987	Rosenwinkel	D9/542

4,733,788 A	3/1988	D'Amico	215/295
D306,967 S	4/1990	Matsuura et al.	D9/502
D316,034 S	4/1991	DeGaetano	D4/116
D330,429 S	10/1992	Lewis et al.	D24/224
D331,697 S	12/1992	Desgrippes	D4/116
D351,991 S	11/1994	Bertolini et al.	D9/690
D363,375 S	10/1995	Arntsen	D4/116
5,529,417 A	6/1996	Burlader	401/129
D373,512 S	9/1996	Hong	D7/592
D375,462 S	11/1996	David	D9/570
D379,312 S	5/1997	Crawford	D9/557
D381,913 S	8/1997	Abfier et al.	D9/502
D383,980 S	9/1997	Abfier et al.	D9/502
D395,399 S	6/1998	Crawford	D9/570
D397,040 S	8/1998	Bakic	D9/574
D398,532 S	9/1998	Crawford	D9/502
D401,501 S	11/1998	Nagayoshi	D9/688
D406,066 S	2/1999	Crawford	D9/557
D406,770 S	3/1999	Rosen et al.	D9/558

(Continued)

OTHER PUBLICATIONS

Oriflame Catalog, 2006.

(Continued)

Primary Examiner—Charles A Rademaker

Assistant Examiner—Dana L Sipos

(74) *Attorney, Agent, or Firm*—Fulbright & Jaworski L.L.P.

(57) **CLAIM**

The ornamental designs for a container, as shown and described.

DESCRIPTION

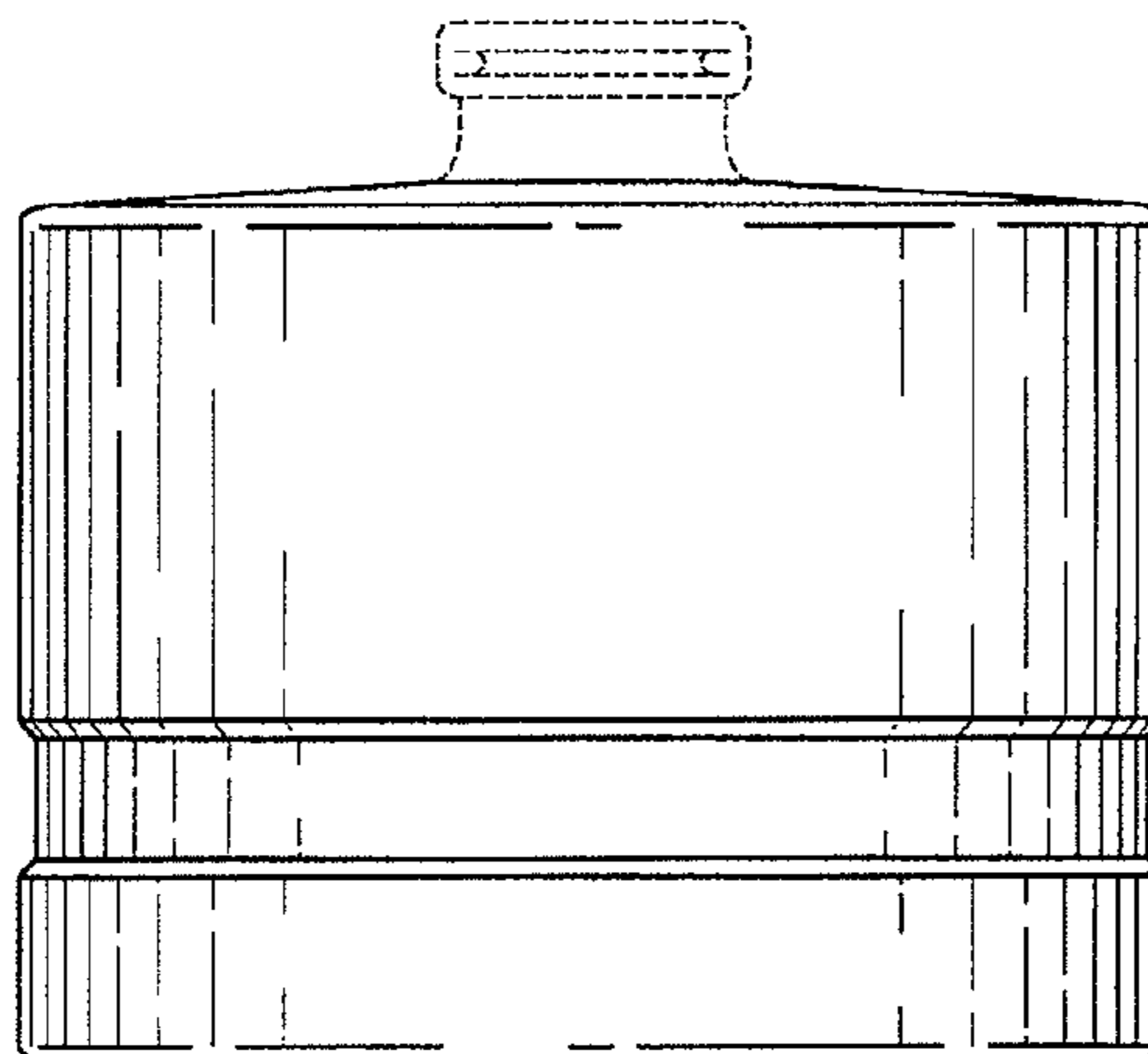
FIG. 1 is a top perspective view of a container showing my new design;

FIG. 2 is a front elevation view thereof, the rear elevation view being identical; and,

FIG. 3 is a top plan view thereof.

The dashed broken lines in FIGS. 1-3 represent portions of the design that form no part of the claim.

1 Claim, 2 Drawing Sheets



US D598,286 S

Page 2

U.S. PATENT DOCUMENTS

5,887,740 A	3/1999	Hong	220/4.27	D483,265 S *	12/2003	Maffei	D9/500
D414,111 S	9/1999	Herrmann	D9/503	D488,064 S	4/2004	Crawford	D9/502
D421,911 S	3/2000	Willardson et al.	D9/542	D489,008 S	4/2004	Giovanni	D9/558
D431,648 S	10/2000	Jansen et al.	D24/121	D489,627 S	5/2004	Klitsner et al.	D9/502
D433,944 S	11/2000	Bernard	D9/520	D490,322 S	5/2004	Giovanni	D9/558
6,253,945 B1	7/2001	Lee	220/23.86	D490,323 S	5/2004	Giovanni	D9/558
D447,561 S	9/2001	Rudzena et al.	D24/121	D491,066 S	6/2004	Le Goff	D9/500
D448,077 S	9/2001	Rudzena et al.	D24/121	D498,423 S	11/2004	Kostow	D9/558
D448,247 S *	9/2001	Hong	D7/591	D499,649 S	12/2004	Olivares et al.	D9/502
D449,000 S	10/2001	Brown, III	D9/538	D503,344 S	3/2005	Woolley et al.	D9/551
D449,228 S	10/2001	Nosella	D9/500	D539,160 S	3/2007	Claes et al.	D9/545
D449,516 S *	10/2001	Modjeski	D9/692	D541,158 S *	4/2007	Herrmann	D9/505
D449,532 S *	10/2001	Modjeski	D9/500	D573,035 S *	7/2008	Dean	D9/690
D459,656 S *	7/2002	Burger	D9/503	D580,267 S *	11/2008	DeMarco	D9/503
D461,419 S *	8/2002	Burger	D9/545	D581,271 S *	11/2008	Laupie	D9/500
D471,108 S	3/2003	Calderone, Jr.	D9/520				
D476,901 S	7/2003	Crawford	D9/557				
D480,647 S	10/2003	Crawford	D9/502				
D481,317 S	10/2003	Corker et al.	D9/502				

OTHER PUBLICATIONS

Office Action, issued in Russian Patent App. No. 2008501599, mailed Feb. 12, 2009.

* cited by examiner

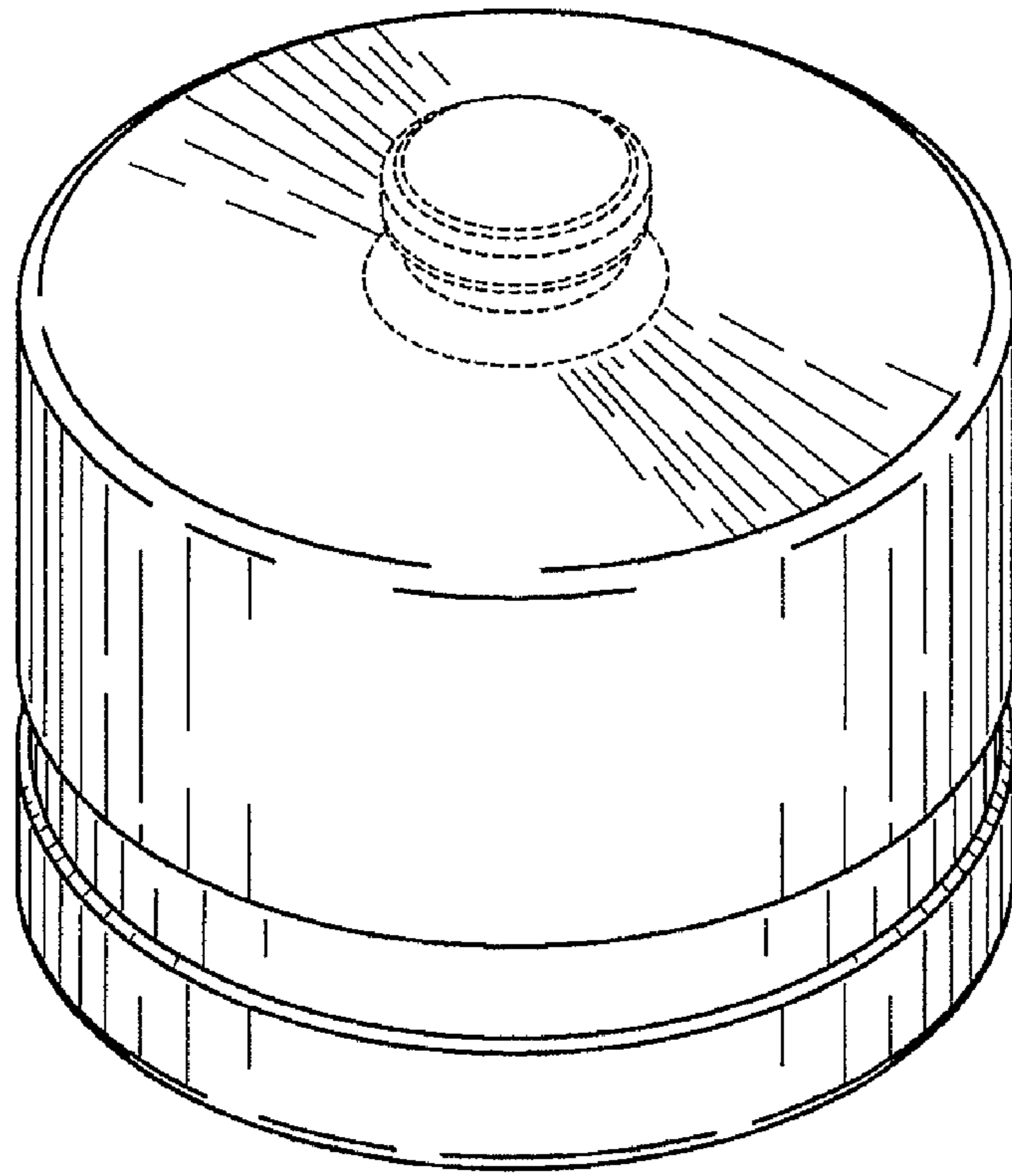


FIG. 1

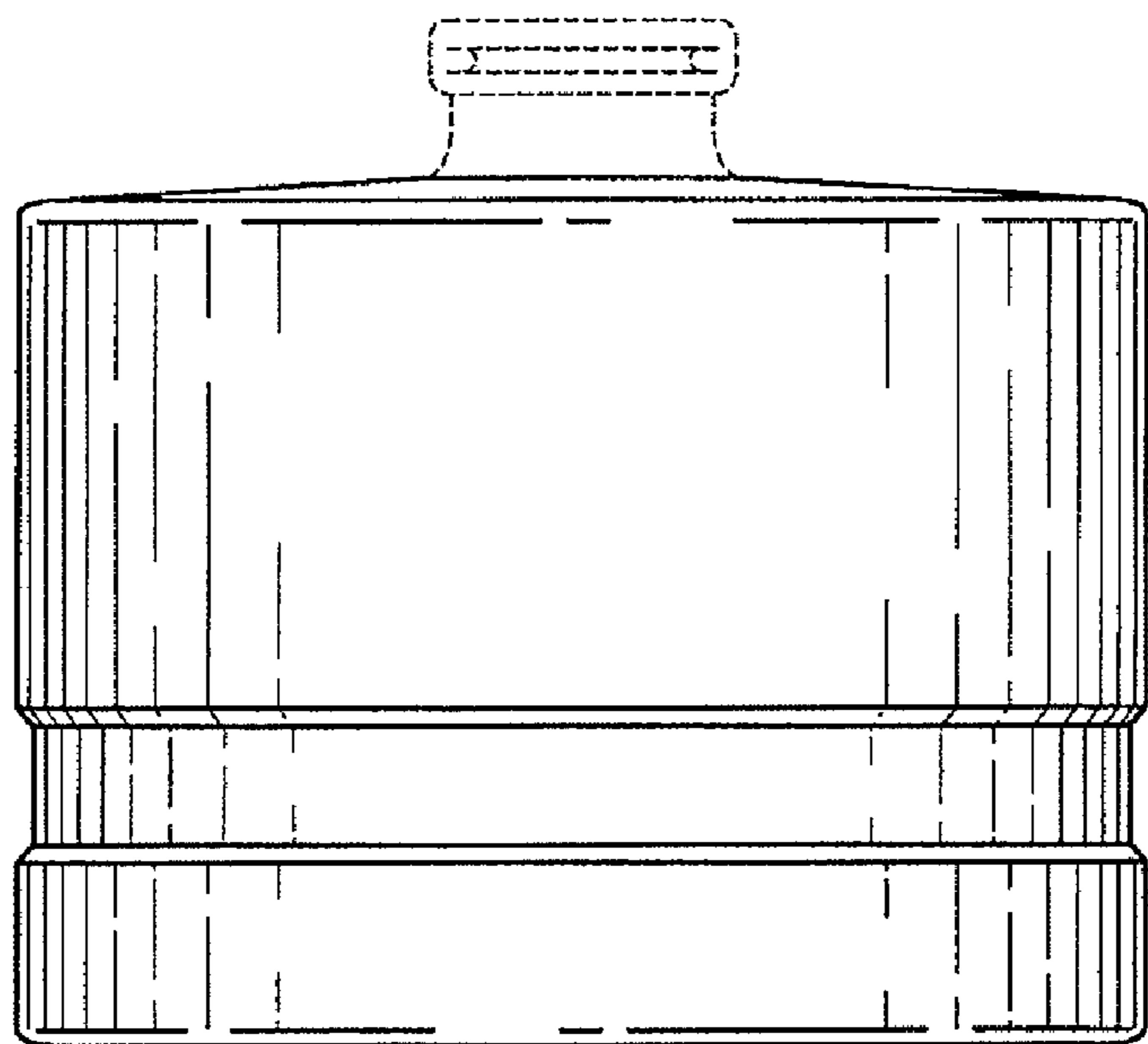


FIG. 2

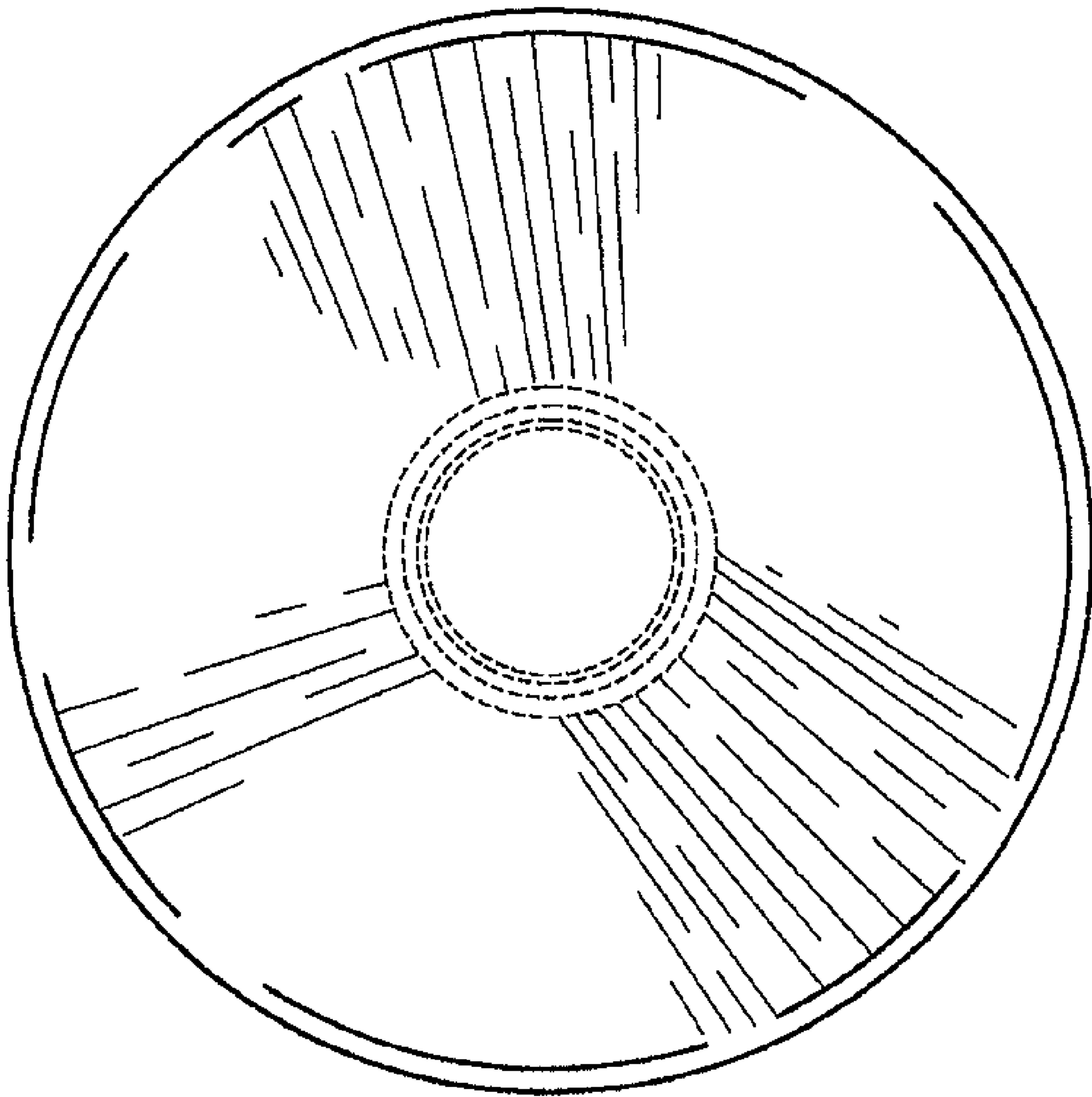


FIG. 3