



US00D598285S

(12) **United States Design Patent**
Mittelstaedt

(10) **Patent No.:** **US D598,285 S**

(45) **Date of Patent:** **** Aug. 18, 2009**

(54) **STORAGE CONTAINER**

(76) Inventor: **Chris Mittelstaedt**, 405 Victory Dr.,
Suite D, South San Francisco, CA (US)
94080

(**) Term: **14 Years**

(21) Appl. No.: **29/305,810**

(22) Filed: **Mar. 27, 2008**

(51) **LOC (9) Cl.** **09-07**

(52) **U.S. Cl.** **D9/456**

(58) **Field of Classification Search** D9/414,
D9/420, 425, 418, 423, 424, 432, 433, 434,
D9/435, 456, 700, 760; D3/203, 276, 279,
D3/294, 301, 302, 303, 304, 305, 315; D11/147,
D11/156; 229/100, 122, 162.1
See application file for complete search history.

(56) **References Cited**

U.S. PATENT DOCUMENTS

D323,296 S * 1/1992 Schoenthaler D9/456
D423,359 S * 4/2000 MacLean et al. D9/456
D452,820 S * 1/2002 Hacker D9/456

D460,691 S * 7/2002 Morris et al. D9/456
D494,759 S * 8/2004 Louie et al. D3/304
D542,532 S * 5/2007 Kopenhaver et al. D3/305

* cited by examiner

Primary Examiner—Robert M Spear
Assistant Examiner—Barbara B Lohr
(74) *Attorney, Agent, or Firm*—Wiesner & Associates Leland
Wiesner

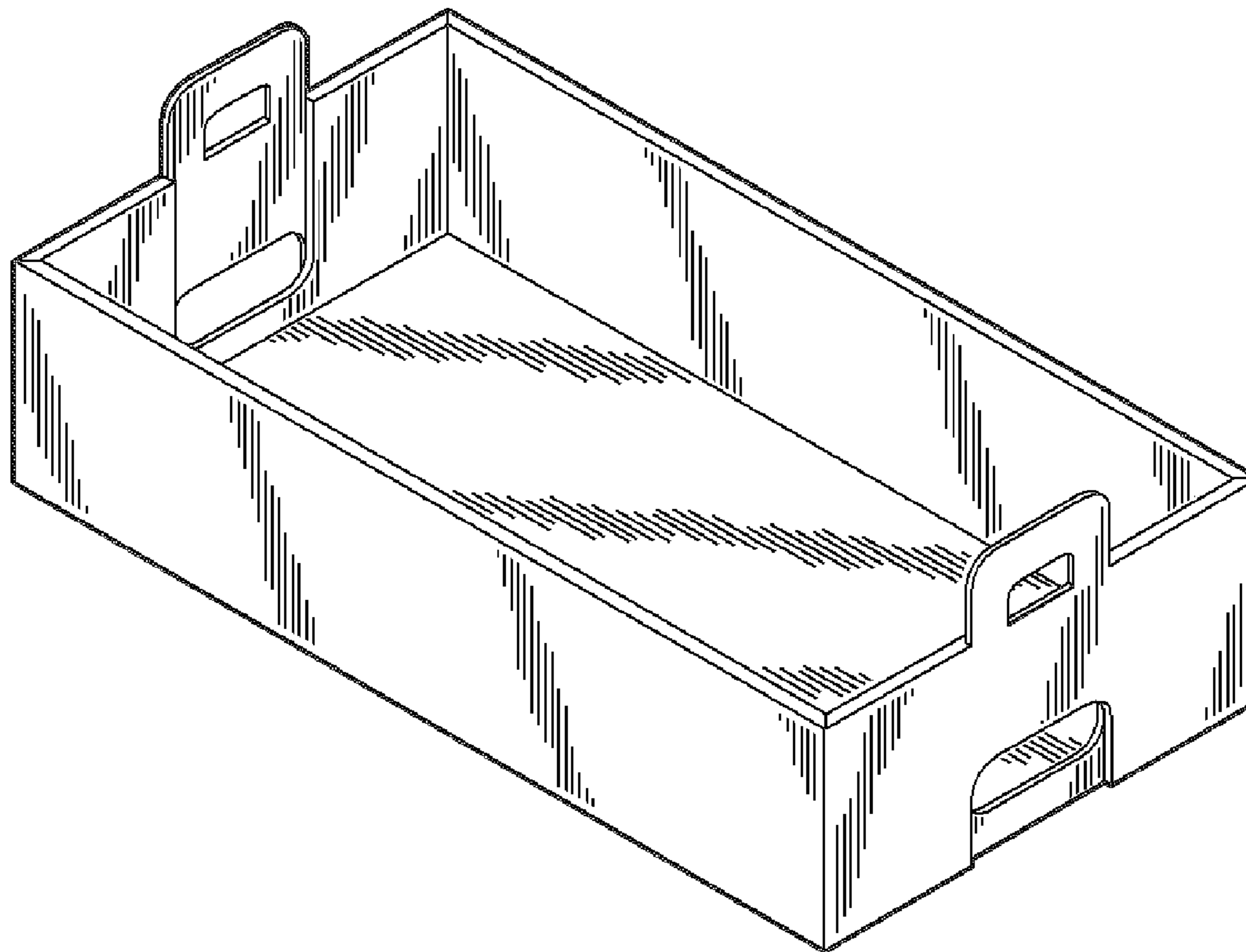
(57) **CLAIM**

What is claimed is the ornamental design for a storage container, as shown and described.

DESCRIPTION

FIG. 1 is a perspective view of a storage container showing the new design;
FIG. 2 is a first side view thereof;
FIG. 3 is a second side view thereof;
FIG. 4 is a top view thereof; and,
FIG. 5 is a bottom view thereof.

1 Claim, 2 Drawing Sheets



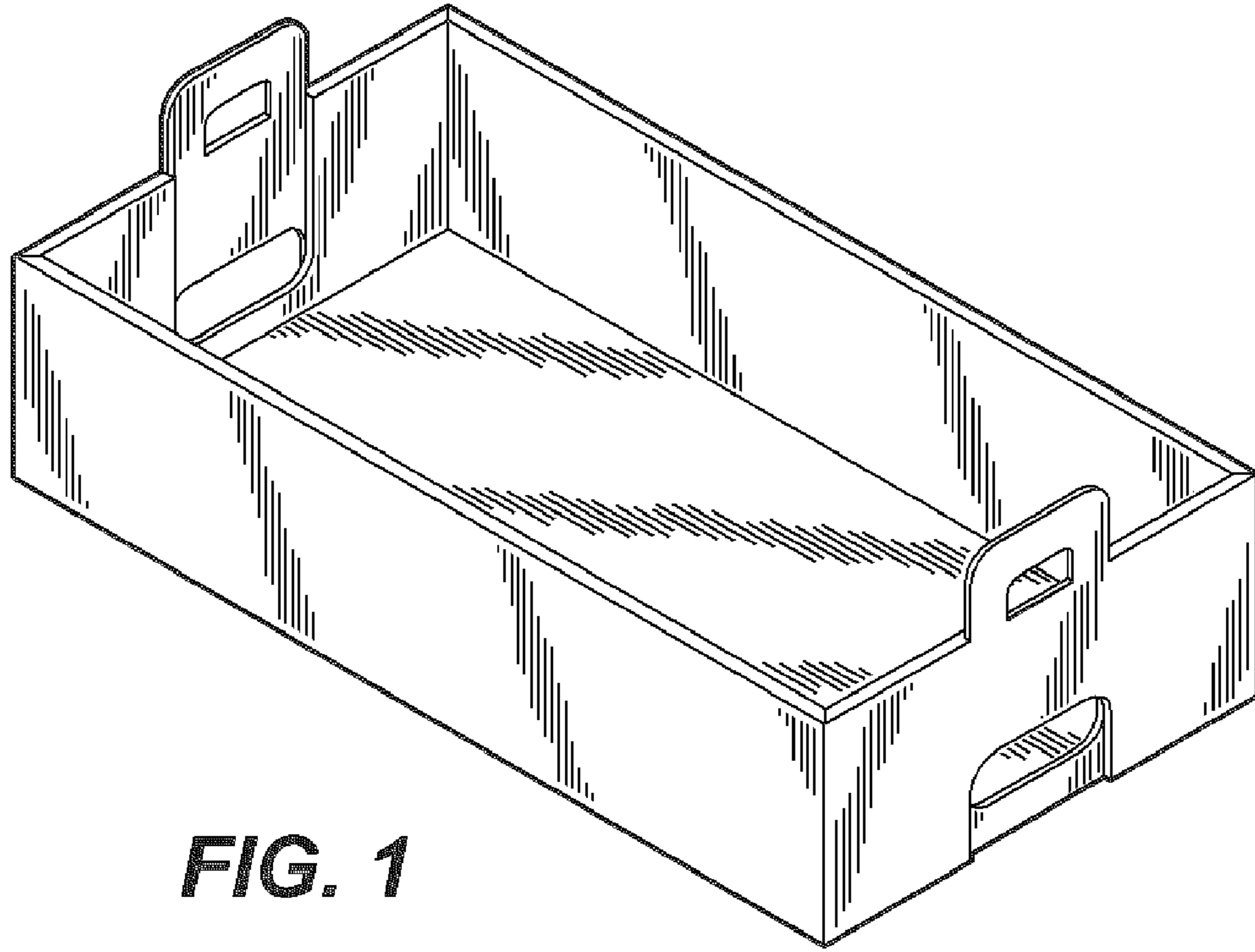


FIG. 1

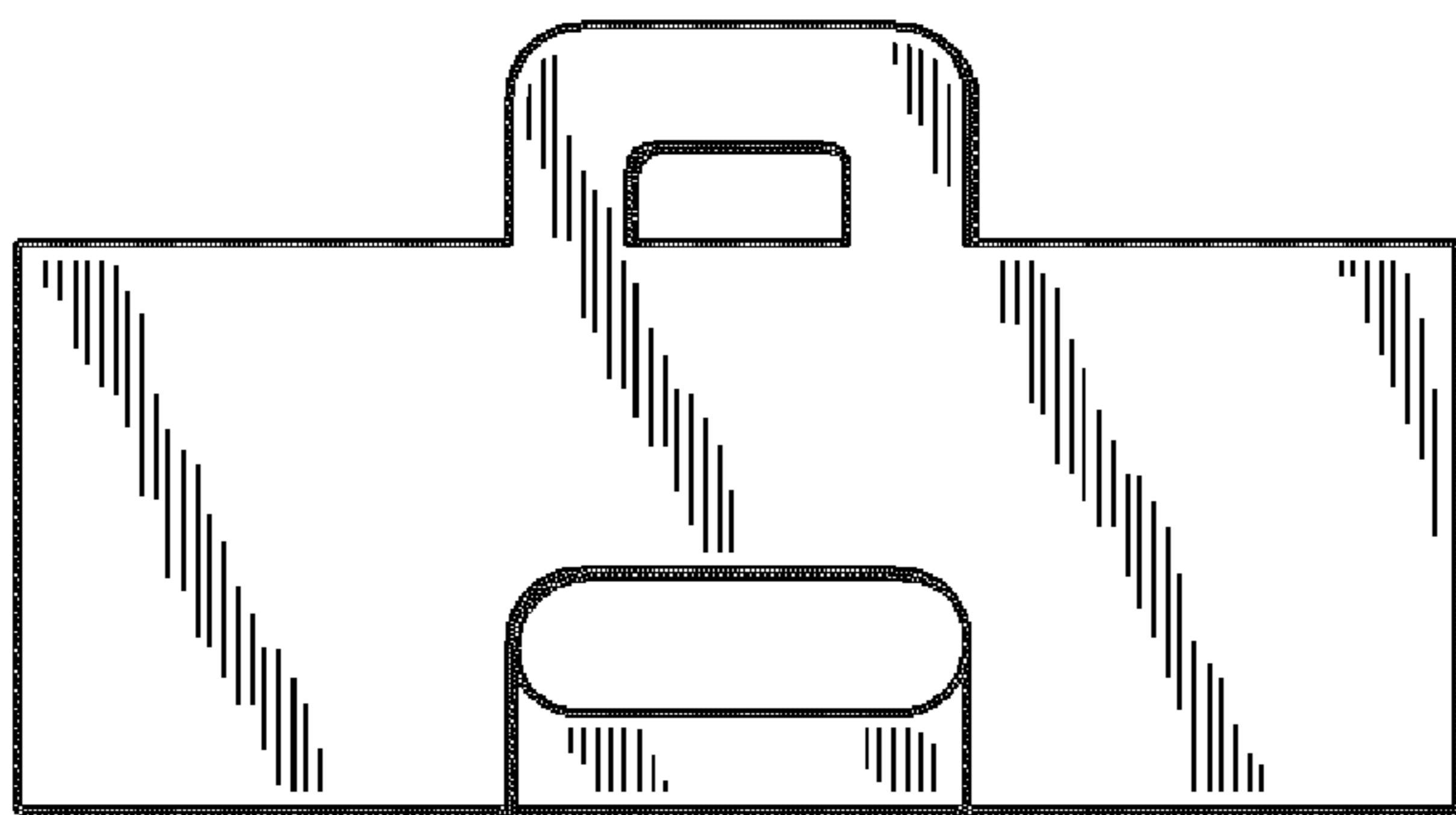


FIG. 3

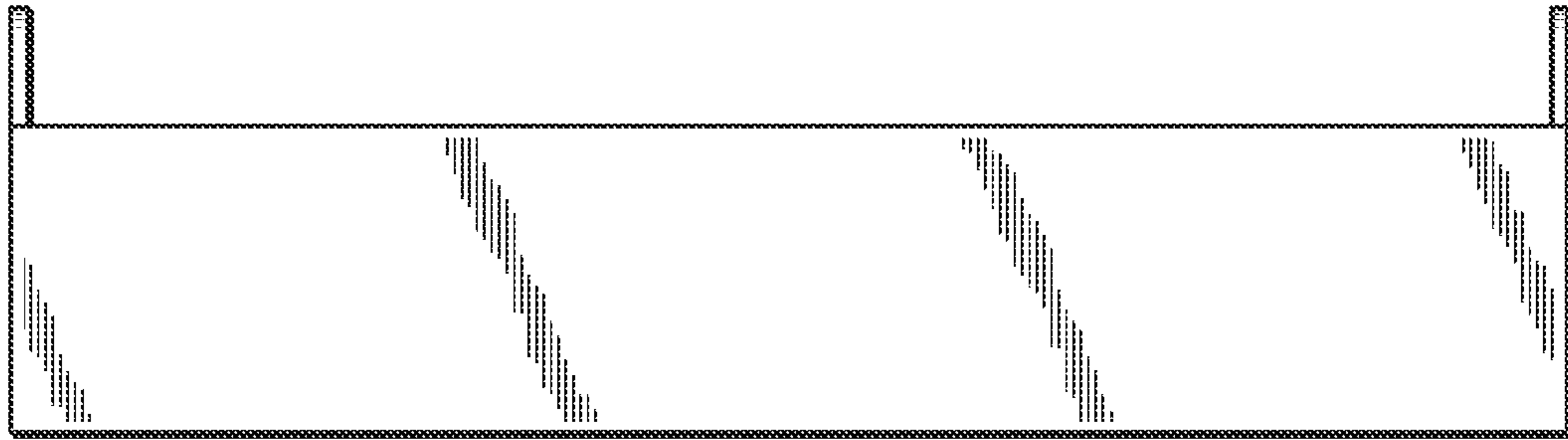


FIG. 2

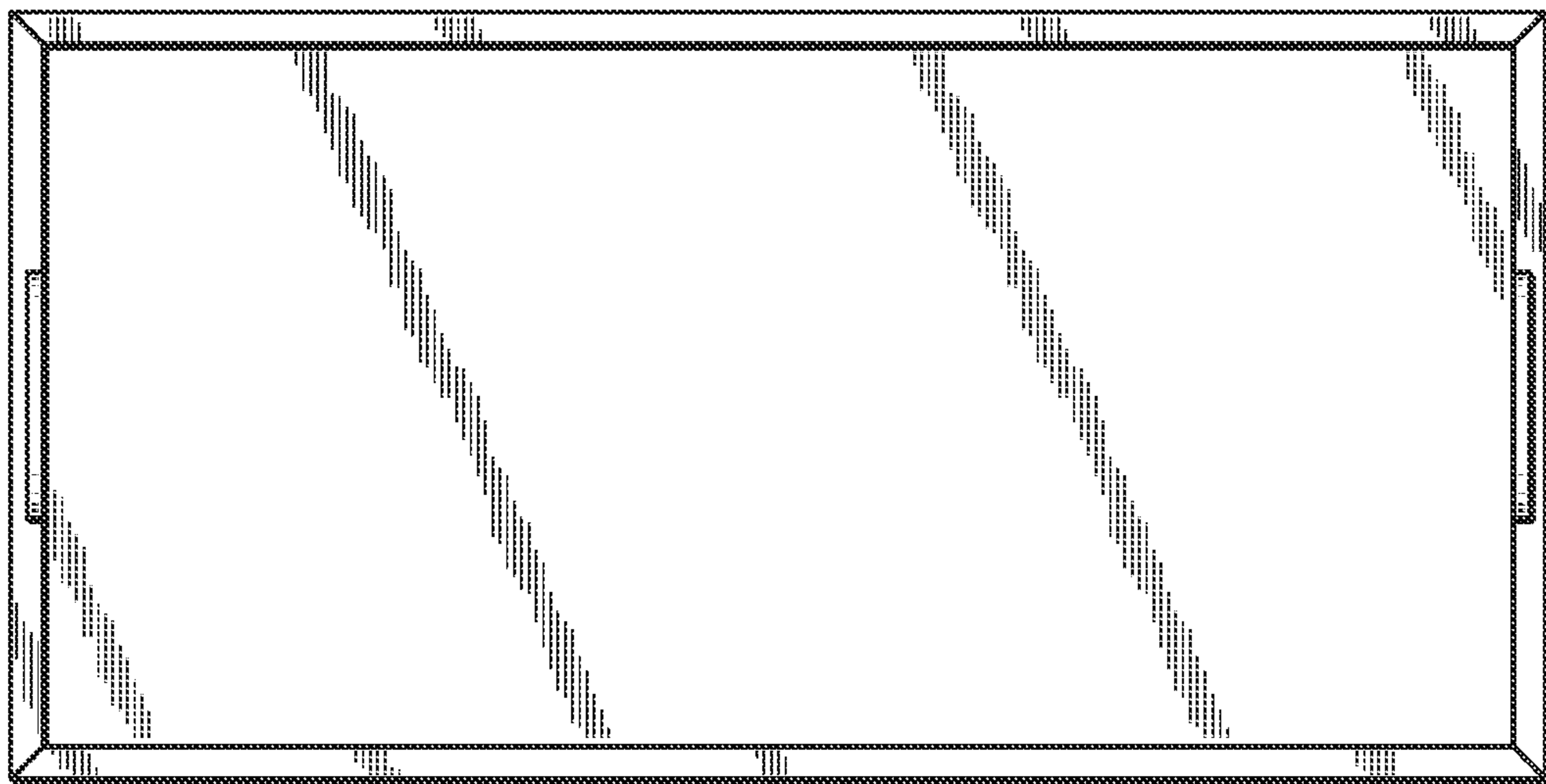


FIG. 4

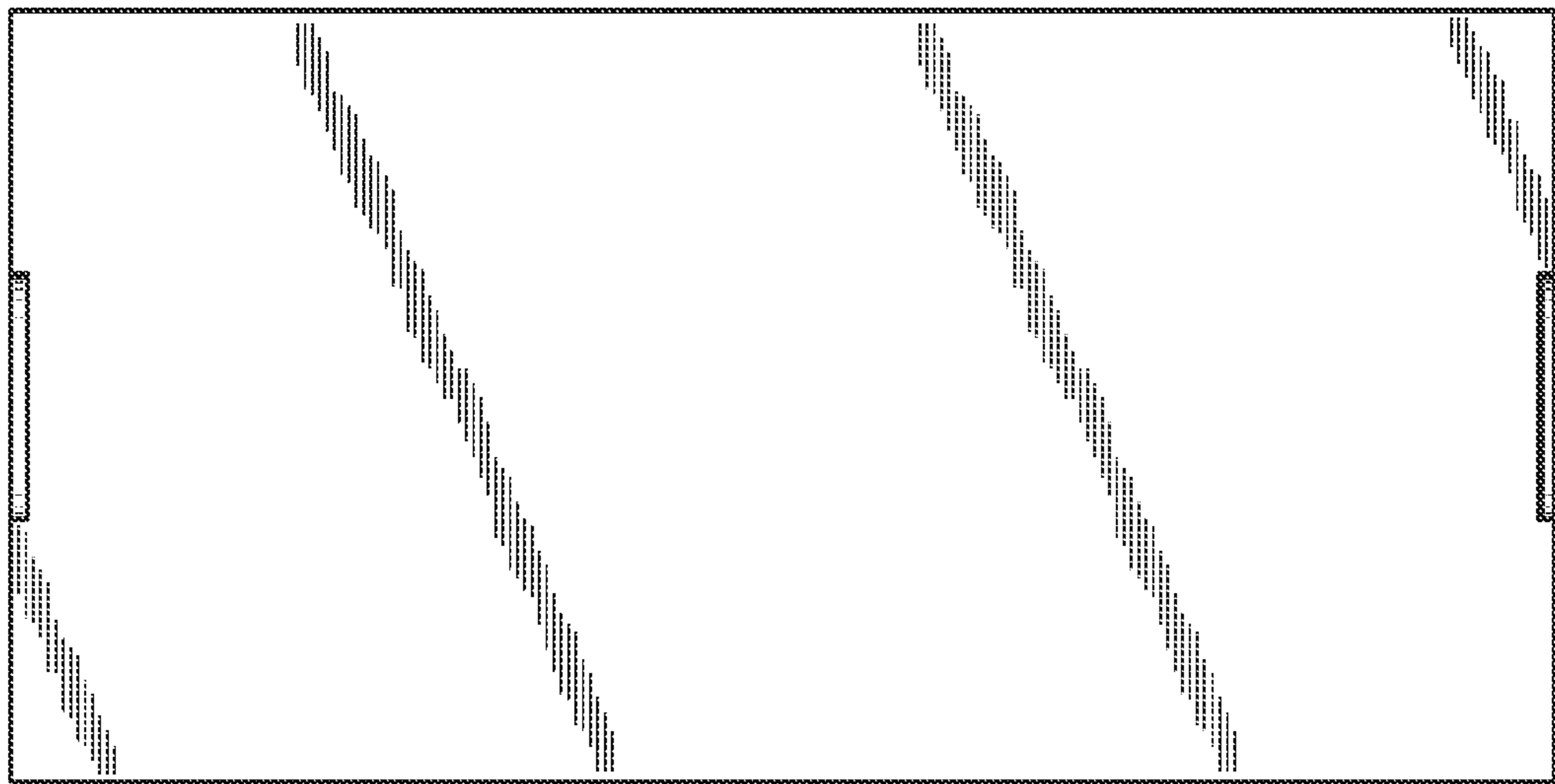


FIG. 5