



US00D598284S

(12) **United States Design Patent**
Floyd et al.

(10) **Patent No.:** **US D598,284 S**

(45) **Date of Patent:** **** Aug. 18, 2009**

(54) **CAP**

(75) Inventors: **Brian Lee Floyd**, Cincinnati, OH (US);
Ian Andrew Carnduff, New York, NY
(US); **Ian Josiah Swanson**, New York,
NY (US); **Paul Frank Diehl**, Brooklyn,
NY (US)

(73) Assignee: **The Procter & Gamble Company**,
Cincinnati, OH (US)

(**) Term: **14 Years**

(21) Appl. No.: **29/333,479**

(22) Filed: **Mar. 10, 2009**

Related U.S. Application Data

(62) Division of application No. 29/330,485, filed on Jan. 8,
2009, now Pat. No. Des. 592,054, and a division of
application No. 29/308,331, filed on Jun. 11, 2008,
now Pat. No. Des. 590,268.

(51) **LOC (9) Cl.** **09-07**

(52) **U.S. Cl.** **D9/451; D9/452; D9/454**

(58) **Field of Classification Search** D9/661,
D9/662, 663, 435, 439, 451, 453, 454
See application file for complete search history.

(56) **References Cited**

U.S. PATENT DOCUMENTS

D96,926 S * 9/1935 Lindermann D9/451
D198,234 S * 5/1964 Lawton D9/449
D254,482 S * 3/1980 Bell D9/435
D322,935 S * 1/1992 Schmidt D9/435 X

D325,783 S * 4/1992 Anderson D9/435 X
D326,816 S * 6/1992 Abrams D9/435
D337,693 S * 7/1993 Segati D7/392
D368,032 S * 3/1996 Couto D9/435
D376,317 S * 12/1996 Weiss D9/435
D377,900 S * 2/1997 Ford D9/435
D406,470 S * 3/1999 Lin D9/454 X
D447,602 S * 9/2001 Dumler et al. D9/454 X
D471,808 S * 3/2003 de Castro Couto D9/435
D512,911 S * 12/2005 Floyd et al. D9/435
D517,407 S * 3/2006 Floyd et al. D9/435
D534,427 S * 1/2007 Crawford D9/453
D535,879 S * 1/2007 Crawford et al. D9/452 X
D548,076 S * 8/2007 Matsumura et al. D9/435

* cited by examiner

Primary Examiner—Carol Rademaker

(74) *Attorney, Agent, or Firm*—David V. Upite

(57) **CLAIM**

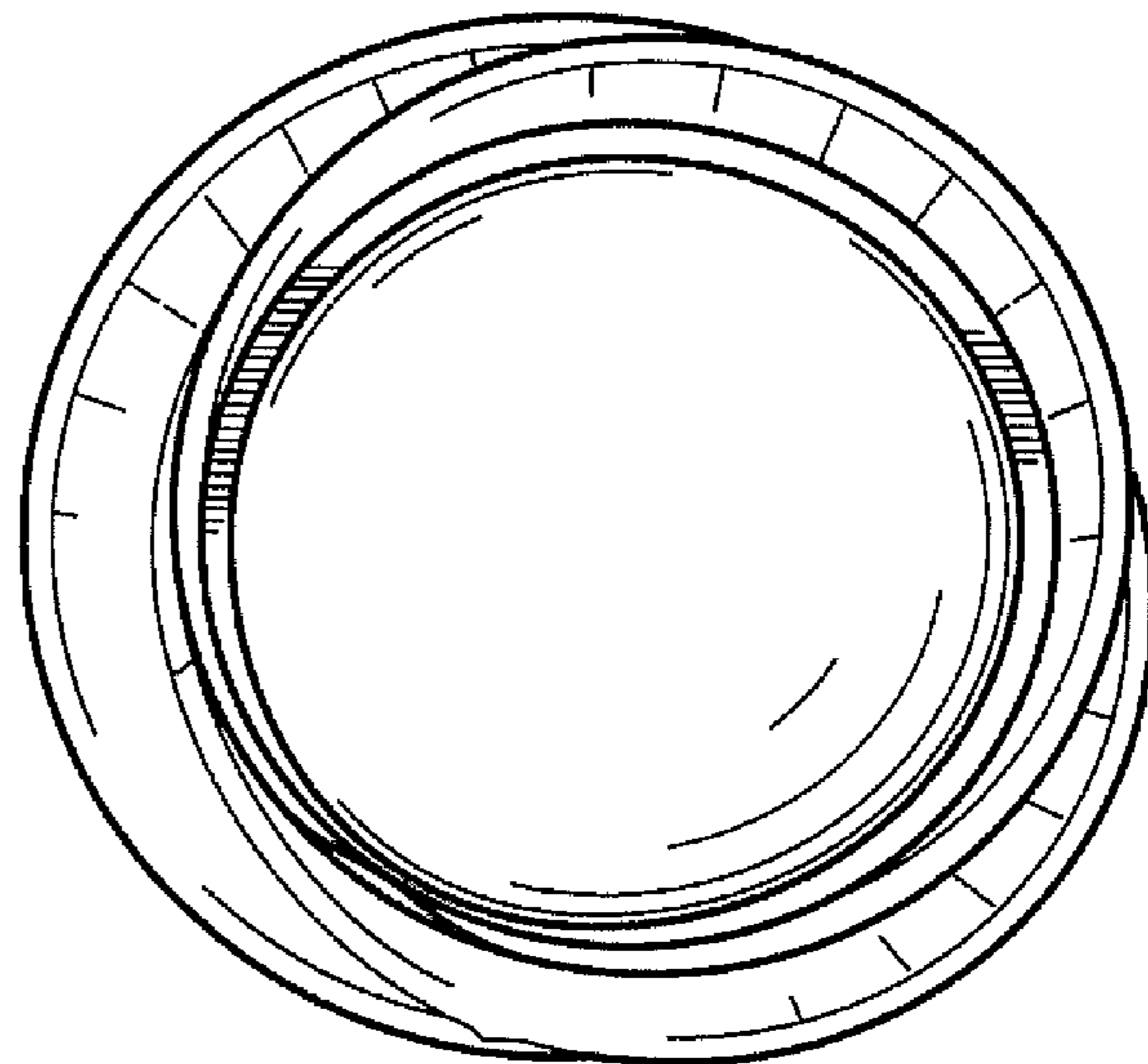
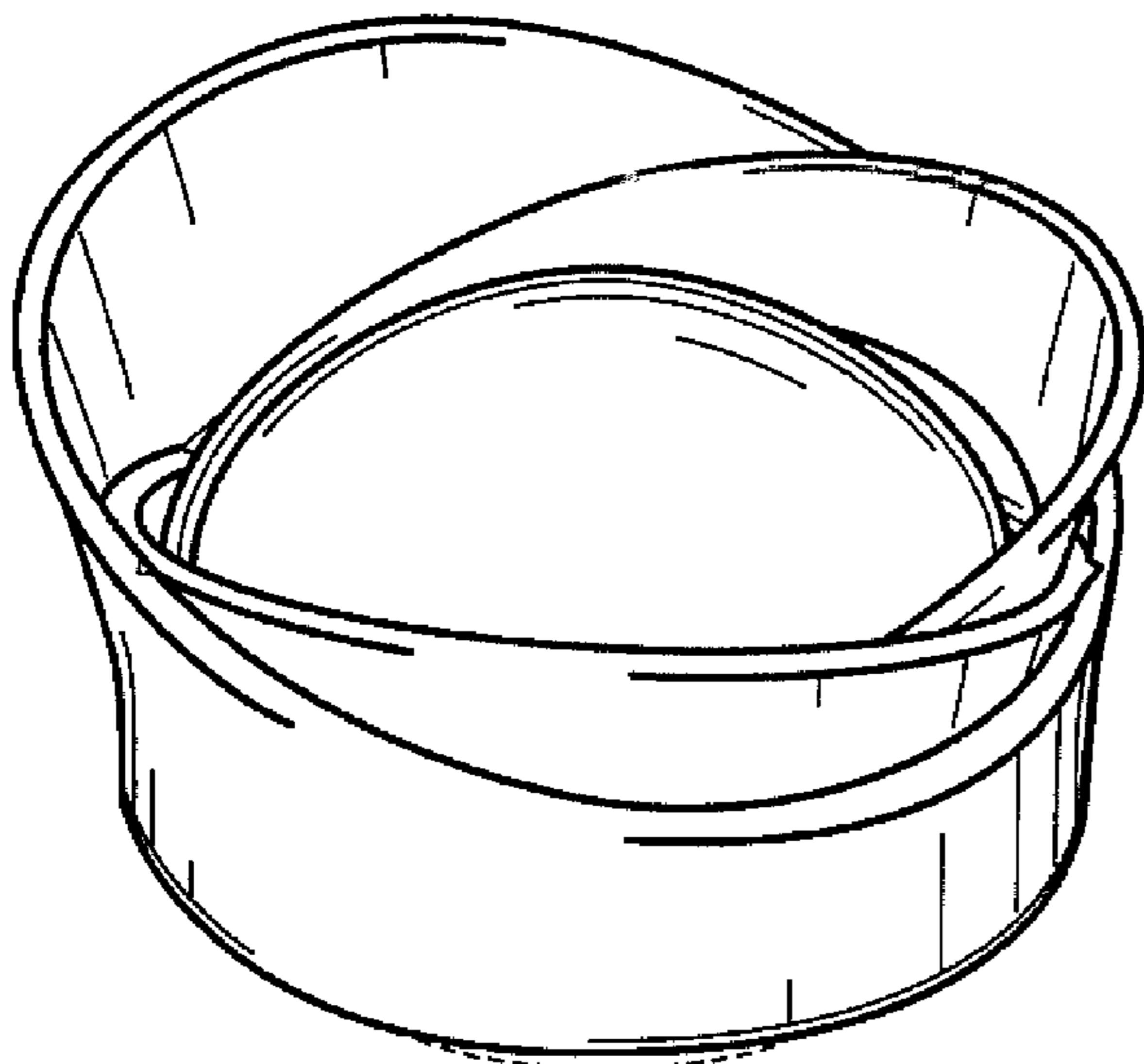
The ornamental design for a cap, as shown and described.

DESCRIPTION

FIG. 1 is a top, front, and right side perspective view of a cap;
FIG. 2 is a front elevational view thereof;
FIG. 3 is a right side elevational view thereof;
FIG. 4 is a left side elevational view thereof;
FIG. 5 is a back elevational view thereof; and,
FIG. 6 is a top plan view thereof.

The broken lines shown in the drawing views are included for
the purpose of showing environmental structure that forms no
part of the claimed design.

1 Claim, 3 Drawing Sheets



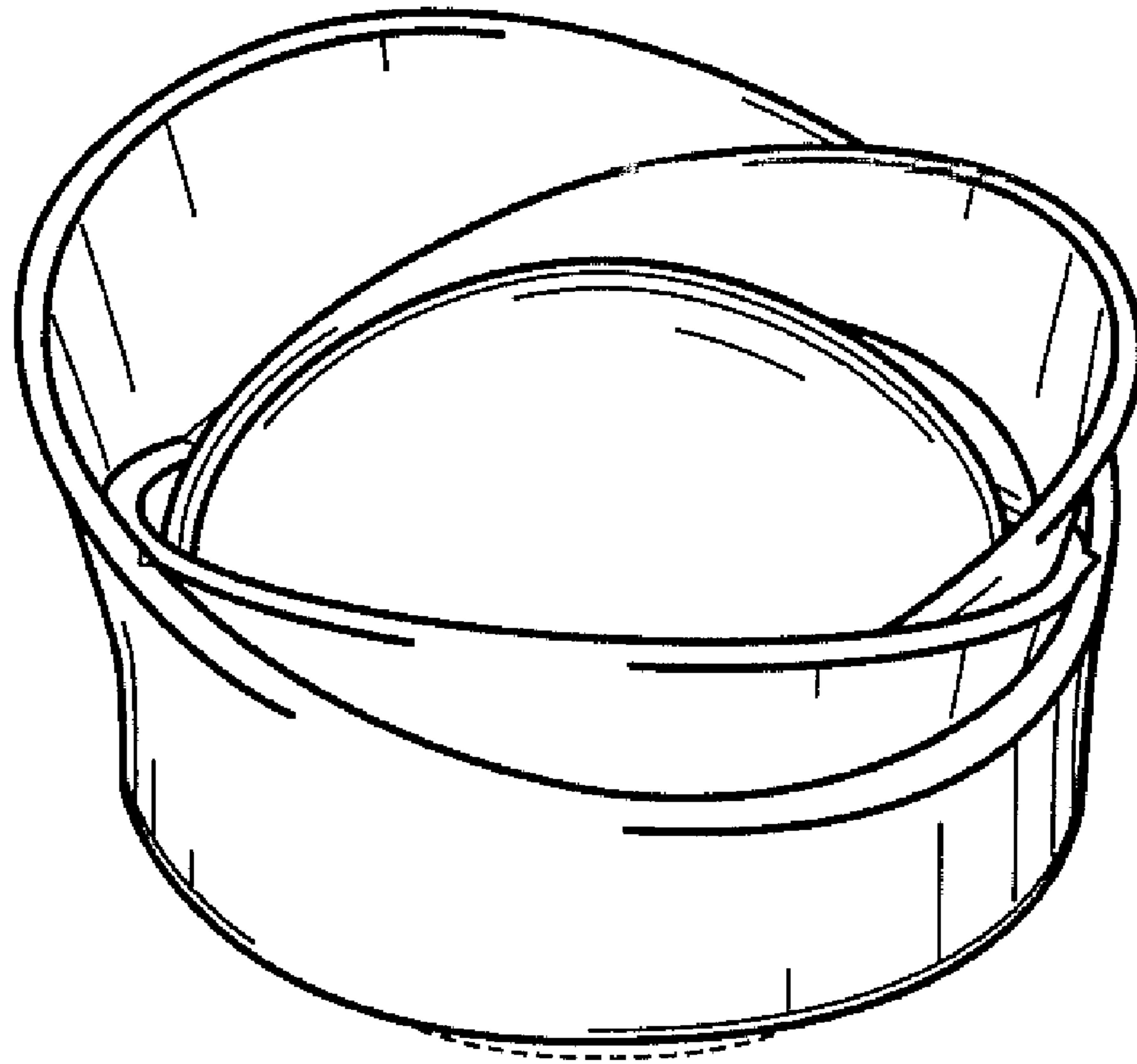


Fig. 1

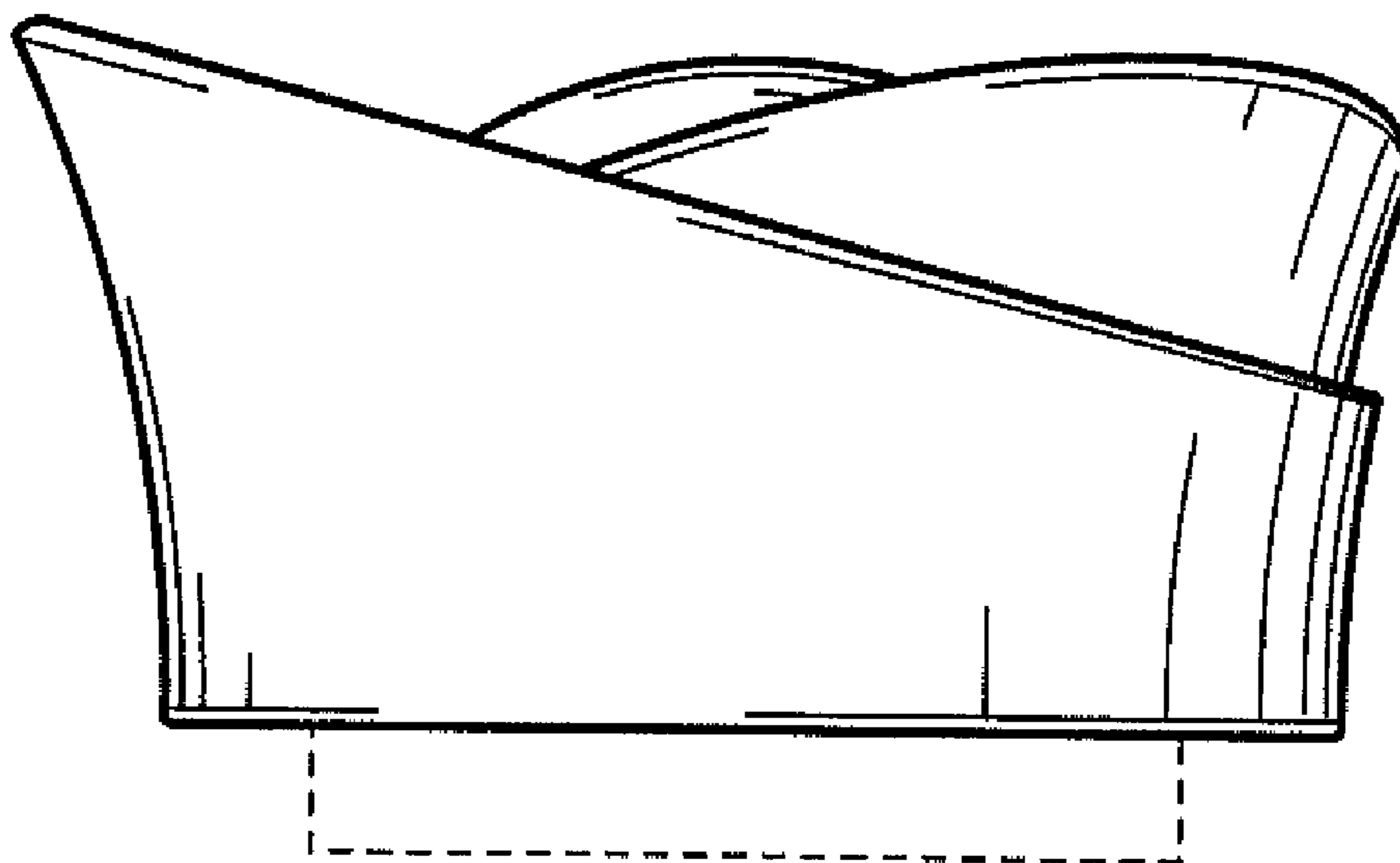


Fig. 2

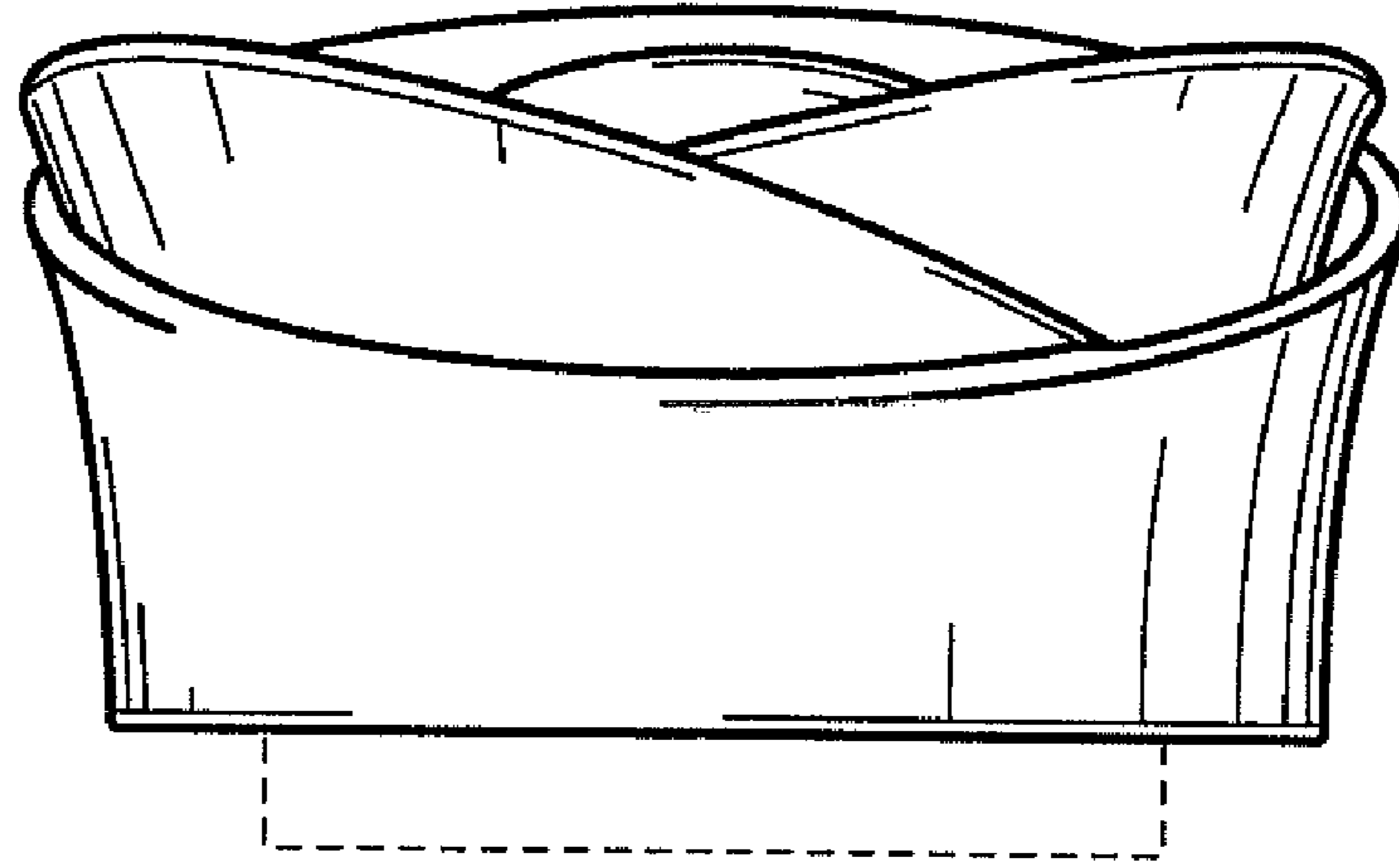


Fig. 3

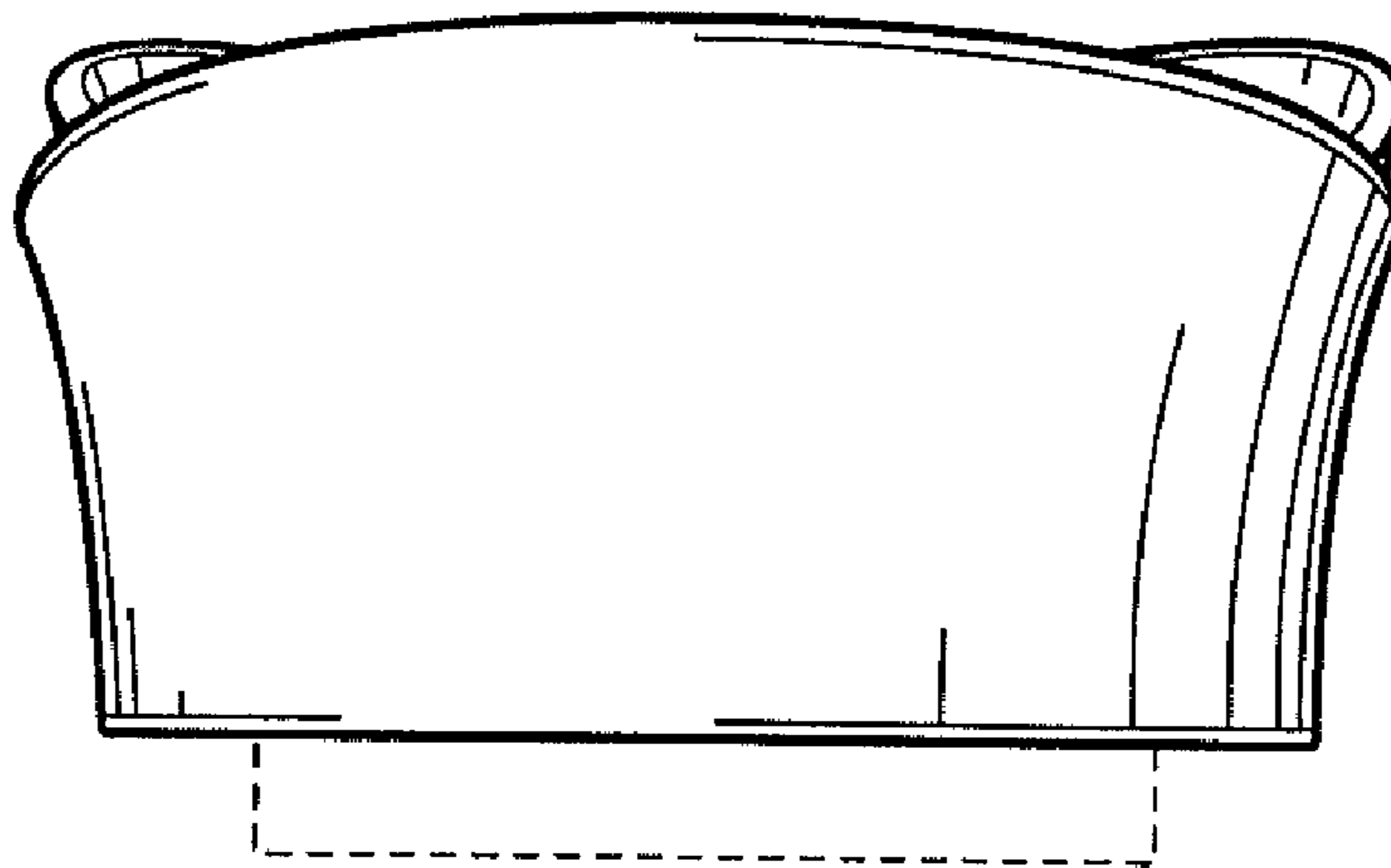


Fig. 4

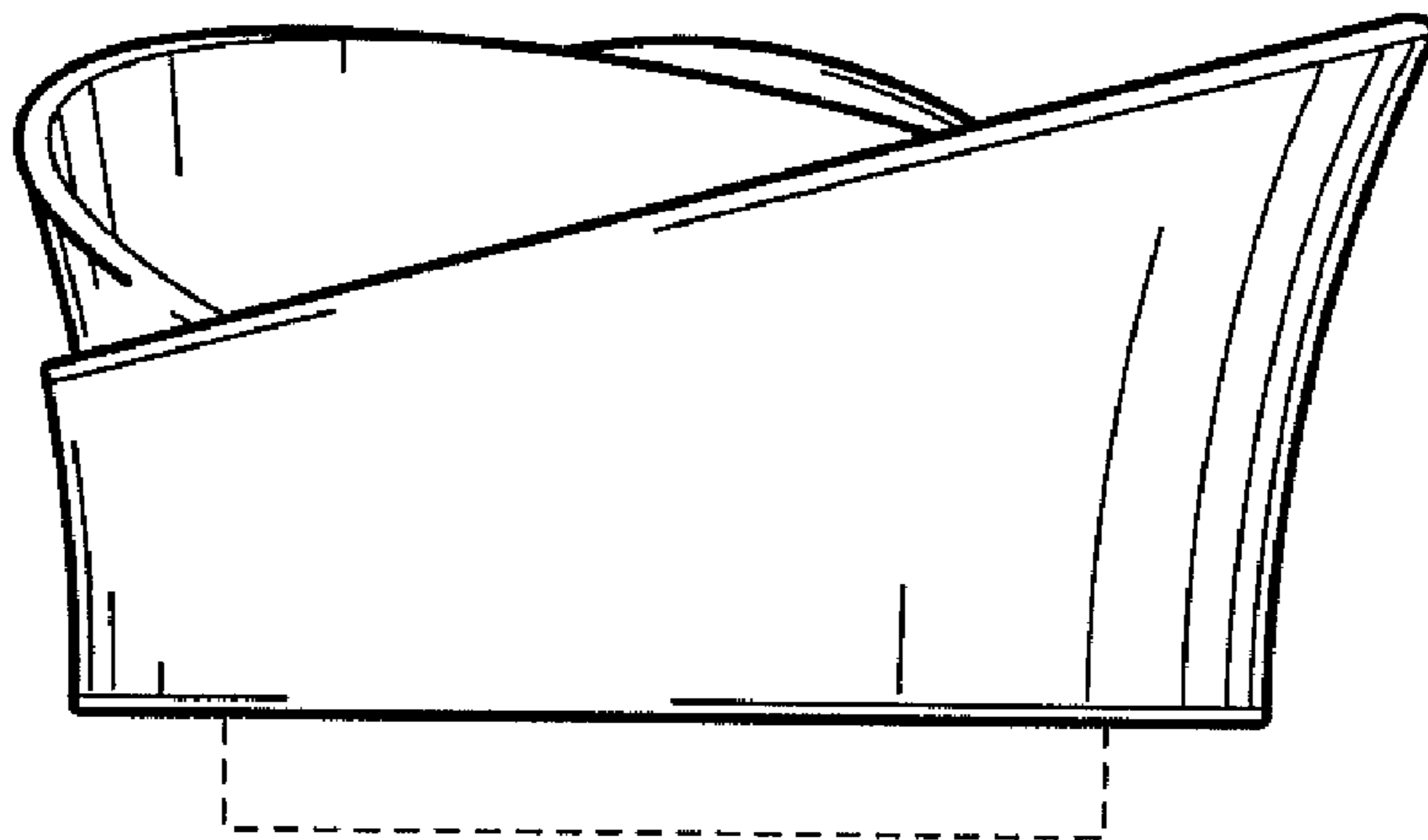


Fig. 5

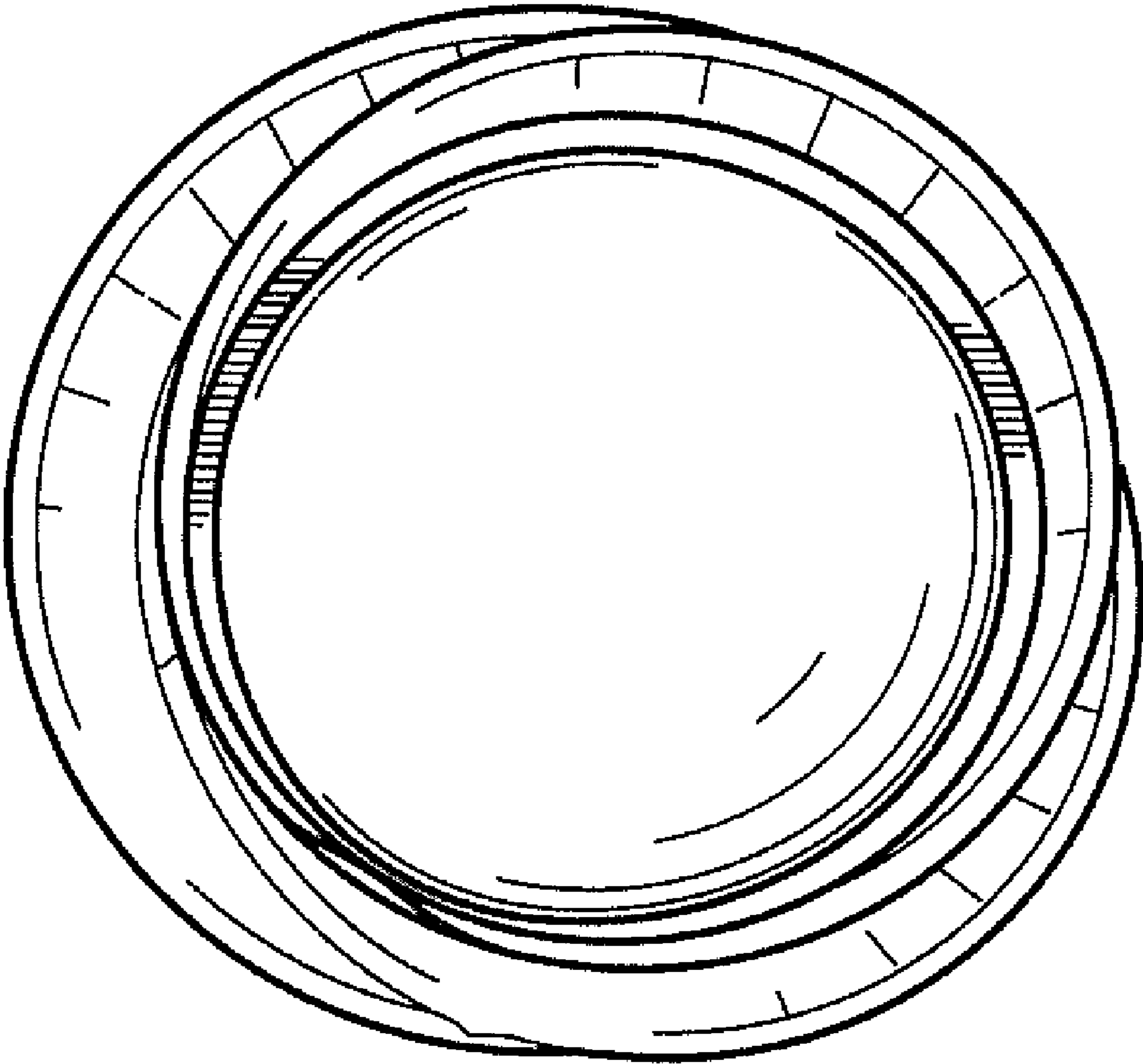


Fig. 6