

US00D598282S

(12) **United States Design Patent**
Abrahamsson

(10) **Patent No.:** **US D598,282 S**

(45) **Date of Patent:** **** Aug. 18, 2009**

(54) **CONTAINER**

(75) Inventor: **Bertil Abrahamsson**, Mullsjö (SE)

(73) Assignee: **Superfos A/S**, Taastrup (DK)

(**) Term: **14 Years**

(21) Appl. No.: **29/311,091**

(22) Filed: **Dec. 19, 2008**

(30) **Foreign Application Priority Data**

Jun. 23, 2008 (EM) 000956487

(51) **LOC (9) Cl.** **09-03**

(52) **U.S. Cl.** **D9/424; D9/430**

(58) **Field of Classification Search** D9/424,
D9/414, 418, 420-423, 425, 428, 429, 430,
D9/432; D3/273, 302; D7/538, 601, 602,
D7/609, 629; 206/216, 508, 518, 519, 541,
206/557, 815, 822; 220/675, 676, 781, 786,
220/789, 790, 793, 796; 229/406, 905, 906,
229/925, 926

See application file for complete search history.

(56) **References Cited**

U.S. PATENT DOCUMENTS

D194,429 S * 1/1963 Kuhn D11/156
3,424,342 A * 1/1969 Scopp et al. 220/793
3,452,896 A * 7/1969 Elliot 220/781
3,765,976 A * 10/1973 Nasica 156/105
4,046,310 A * 9/1977 Gustafsson 206/503

D253,168 S * 10/1979 Nilsson et al. D9/425
4,787,527 A * 11/1988 Monetti 220/557
D308,340 S * 6/1990 Ilsen et al. D9/425
D308,486 S * 6/1990 Willson D9/432
D315,099 S * 3/1991 Alizard D9/424
5,065,887 A * 11/1991 Schuh et al. 220/835
D336,850 S * 6/1993 Guillin D9/429
D428,310 S * 7/2000 Zettle et al. D7/629
D445,649 S * 7/2001 Maxwell et al. D7/629
D505,840 S * 6/2005 Schultz et al. D7/629
D546,632 S * 7/2007 Oberloier D7/629
D548,069 S * 8/2007 Sagel et al. D9/425

* cited by examiner

Primary Examiner—Prabhakar Deshmukh

Assistant Examiner—Derrick Holland

(74) *Attorney, Agent, or Firm*—Dykema Gossett PLLC

(57) **CLAIM**

The ornamental design for a container, as shown and described.

DESCRIPTION

FIG. 1 is a top perspective view of a container showing my new and ornamental design,

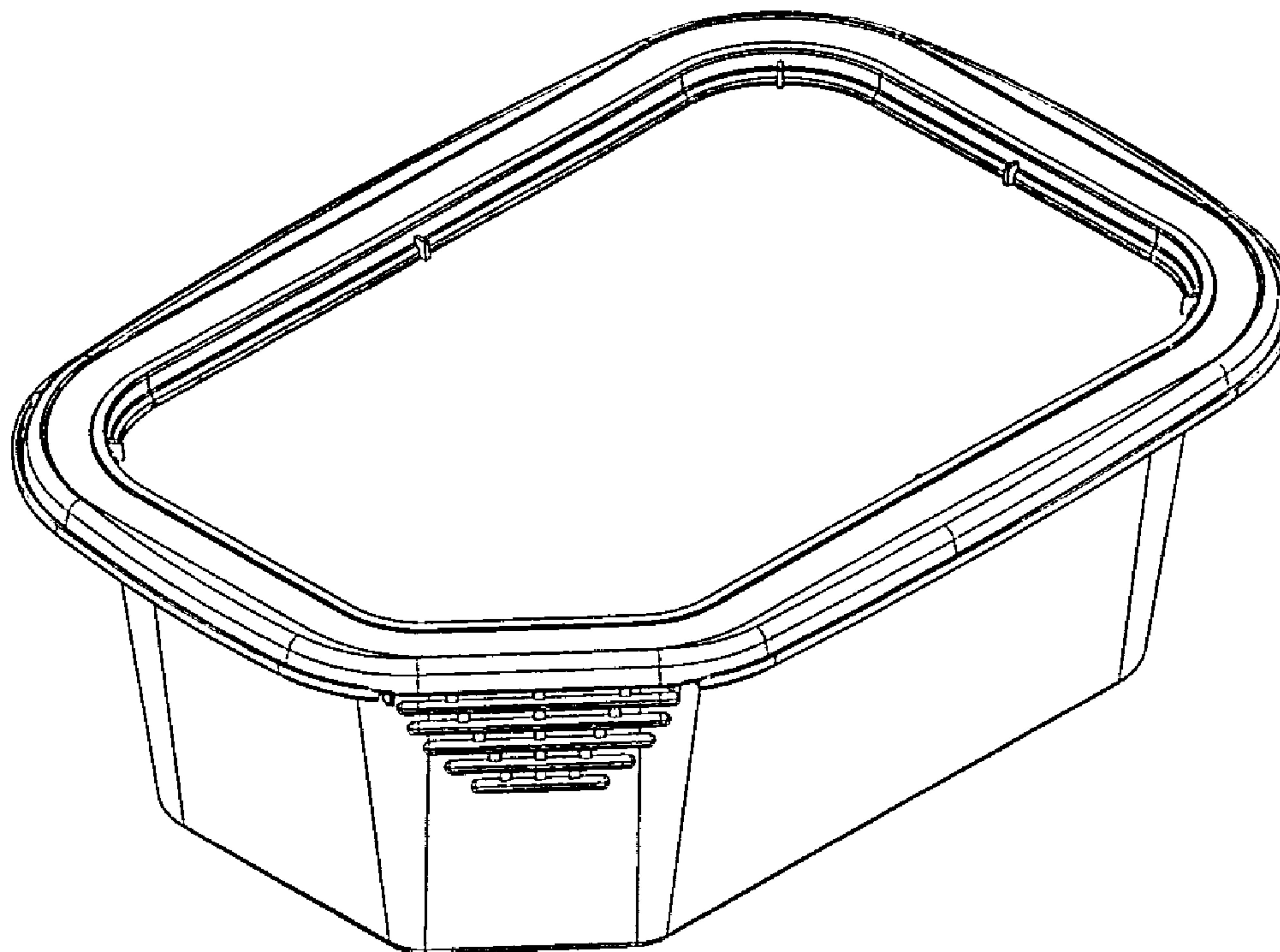
FIG. 2 is a bottom perspective view thereof,

FIG. 3 is a side view thereof,

FIG. 4 is a top plan view thereof; and,

FIG. 5 is an enlarged end view thereof.

1 Claim, 3 Drawing Sheets



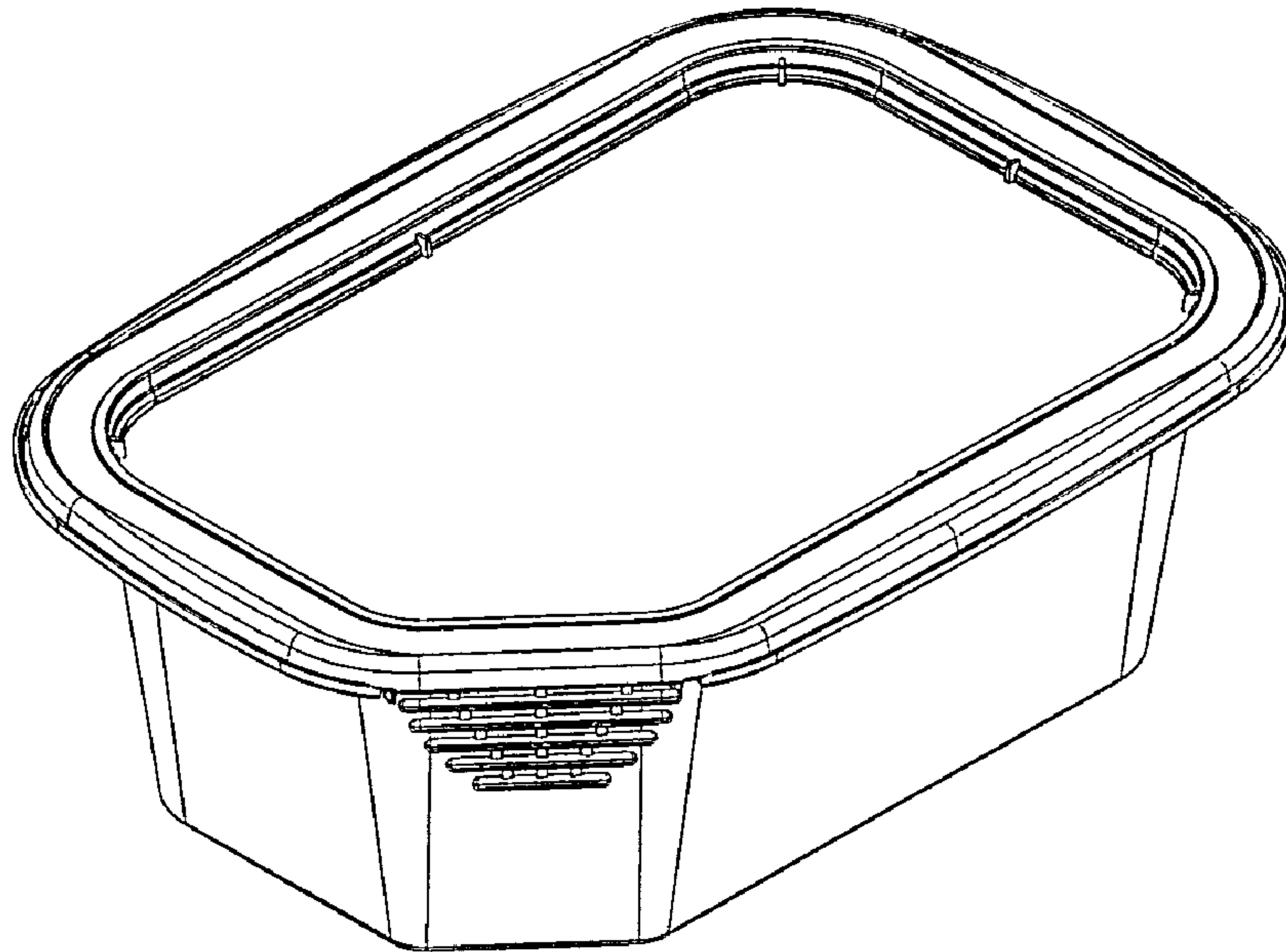


Fig. 1

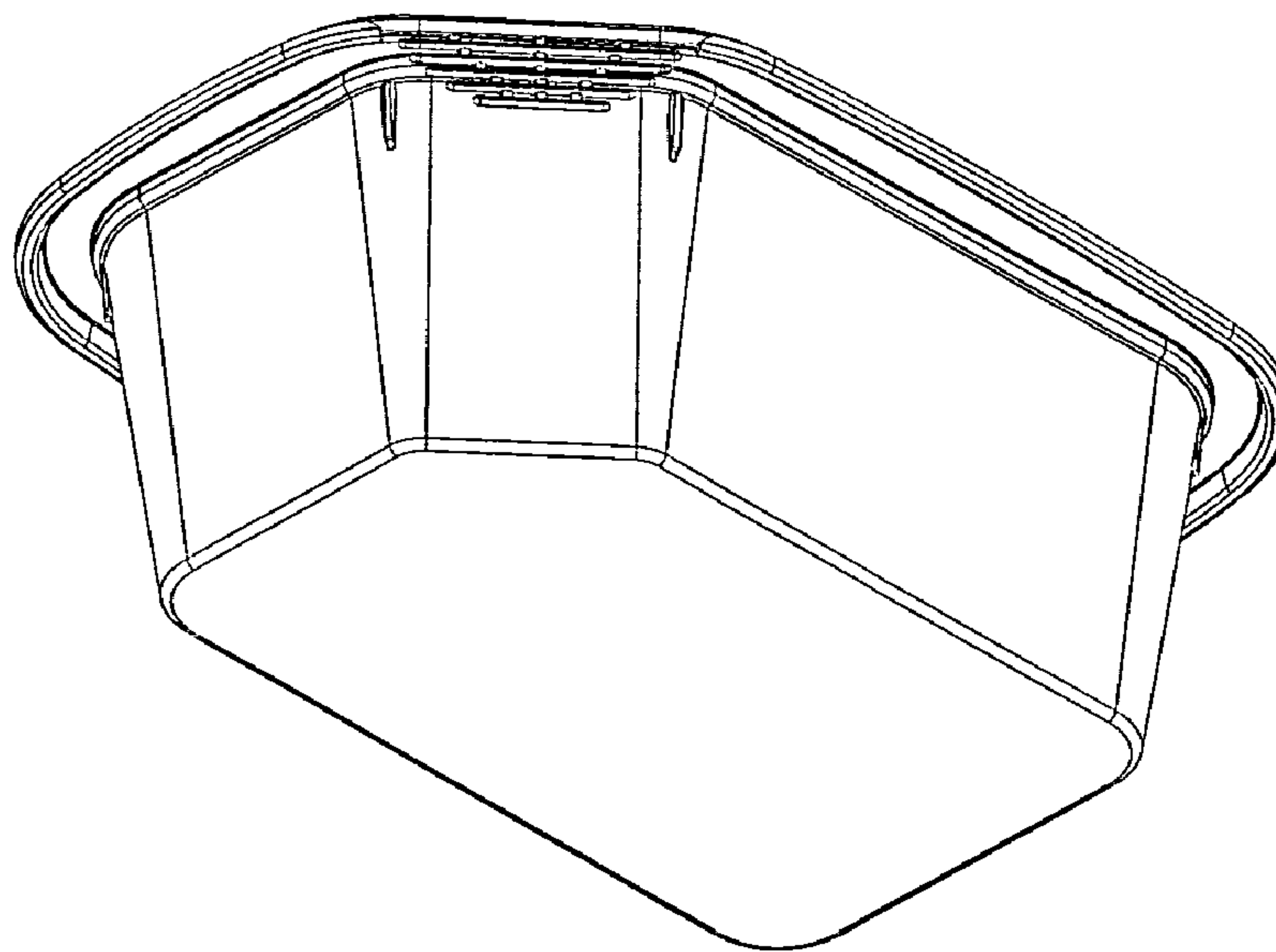


Fig. 2

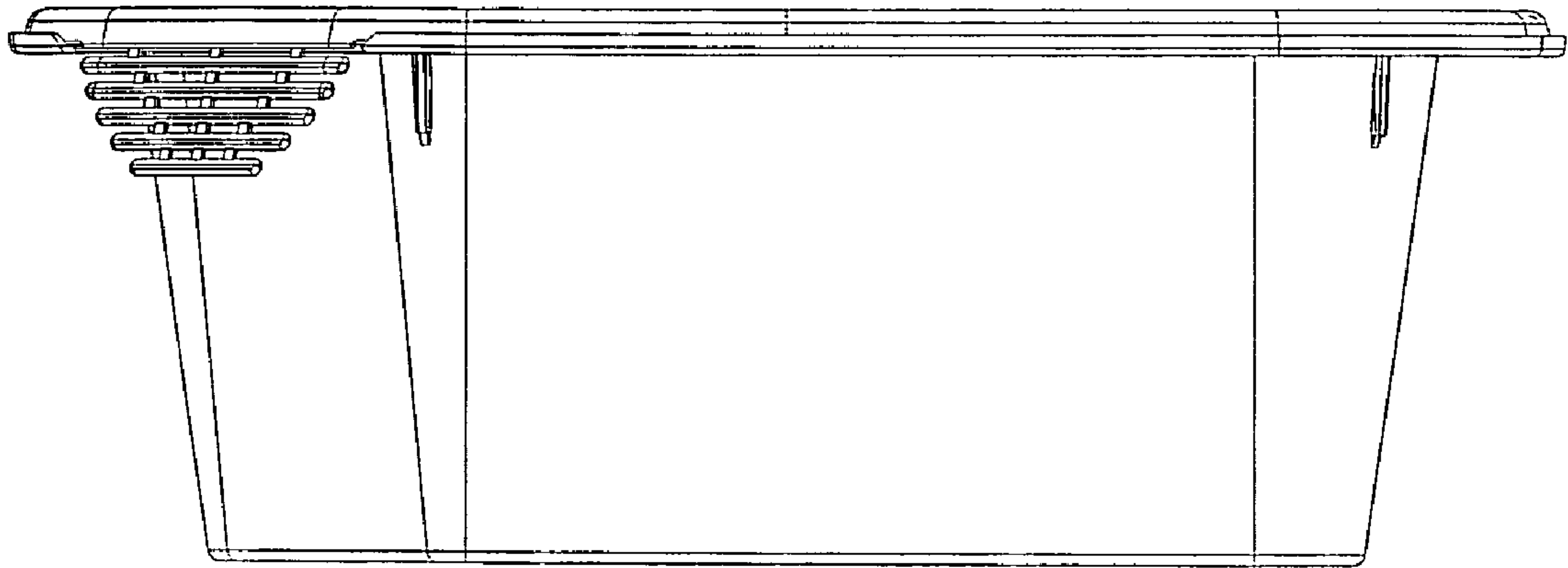


Fig. 3

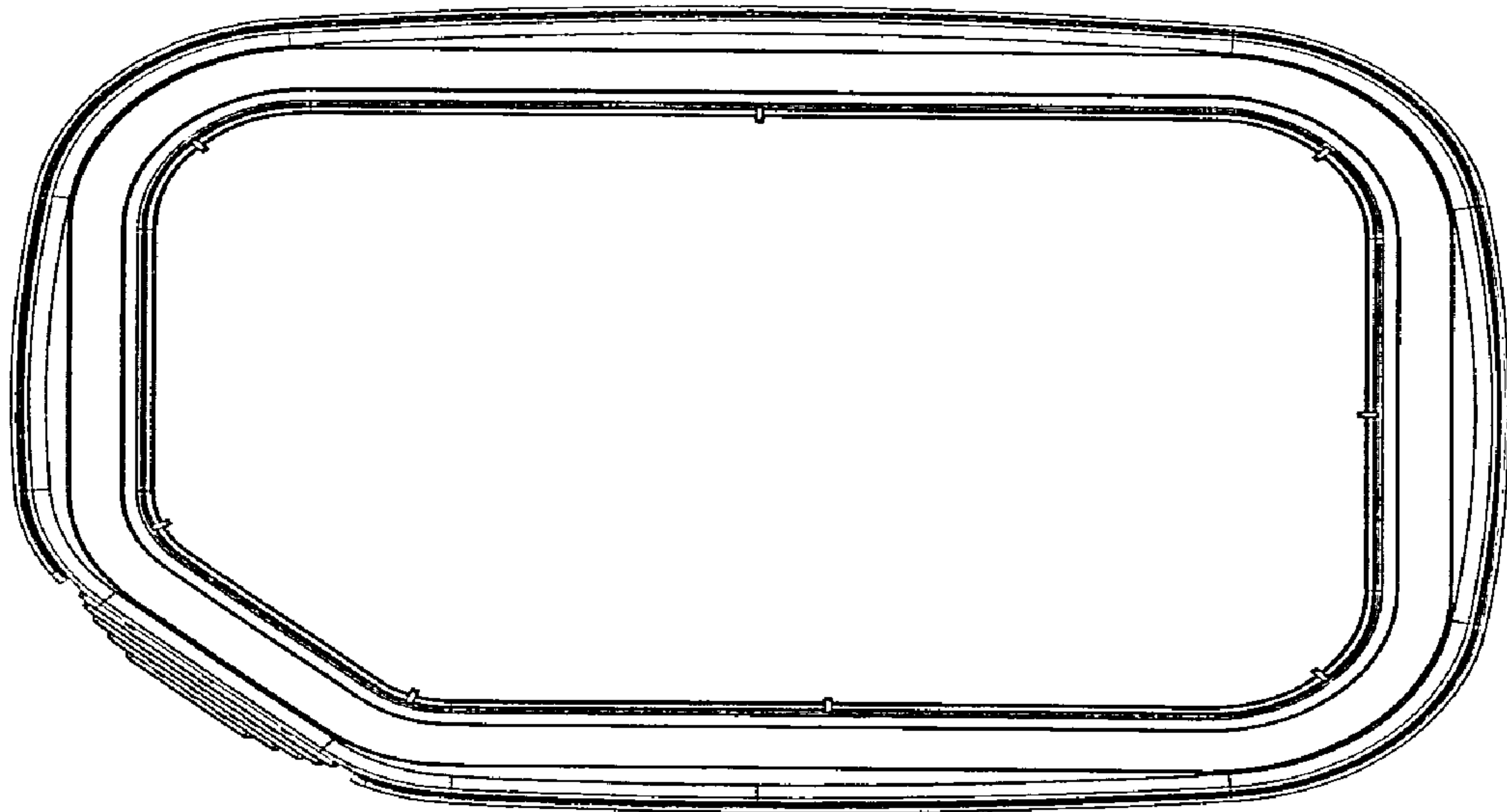


Fig. 4

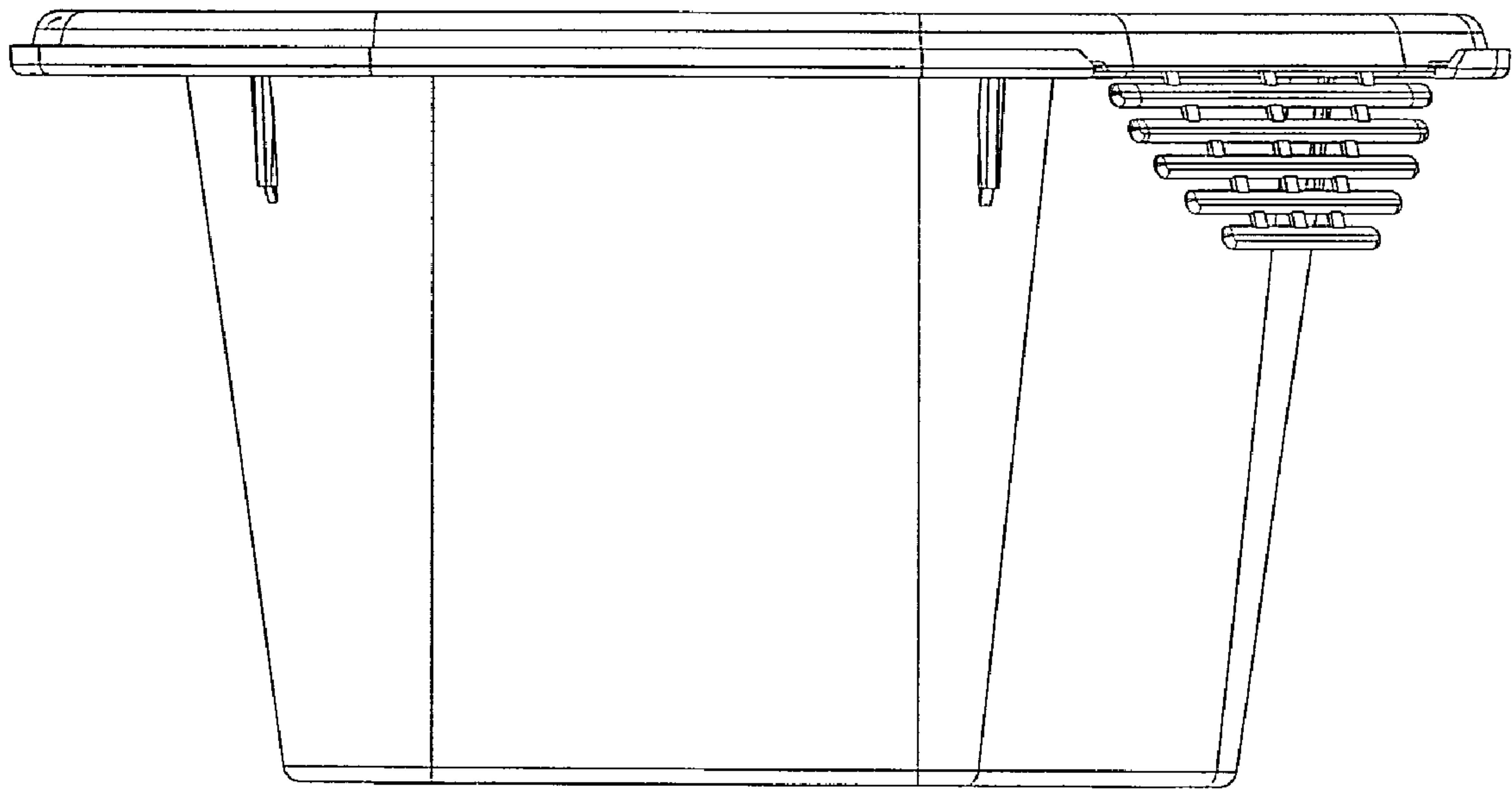


Fig. 5