



US00D598279S

(12) **United States Design Patent**
Seehoff et al.

(10) **Patent No.:** **US D598,279 S**

(45) **Date of Patent:** **** Aug. 18, 2009**

(54) **BAG CLIP**

(75) Inventors: **Gary Stanley Seehoff**, Encino, CA
(US); **Christopher Anzalone**, Foothill
Ranch, CA (US)

(73) Assignee: **Evriholder Products LLC**, Anaheim,
CA (US)

(**) Term: **14 Years**

(21) Appl. No.: **29/330,275**

(22) Filed: **Jan. 2, 2009**

(51) **LOC (9) Cl.** **08-08**

(52) **U.S. Cl.** **D8/395**

(58) **Field of Classification Search** D8/394-396,
D8/72; D19/56, 65, 51; D32/60-64; D28/40;
24/67.3, 6, 11 M, 11 P, 13, 340, 351, 354,
24/355, 570; 248/316.5, 316.7
See application file for complete search history.

(56) **References Cited**

U.S. PATENT DOCUMENTS

D304,978 S *	12/1989	Harrington	D8/395
D325,047 S *	3/1992	Chou	D19/65
D404,525 S *	1/1999	Knudsen	D28/42
D406,169 S *	2/1999	Wolff	D19/65
D438,452 S *	3/2001	Tsai	D8/395
6,360,752 B1 *	3/2002	Chang	132/277

D483,151 S *	12/2003	Walker et al.	D28/40
D520,353 S *	5/2006	Mariano et al.	D8/395
D529,375 S *	10/2006	Cetera	D8/395
D583,994 S *	12/2008	Pichon	D28/40
D591,905 S *	5/2009	Pichon	D28/40

* cited by examiner

Primary Examiner—T. Chase Nelson
Assistant Examiner—John Windmuller

(57) **CLAIM**

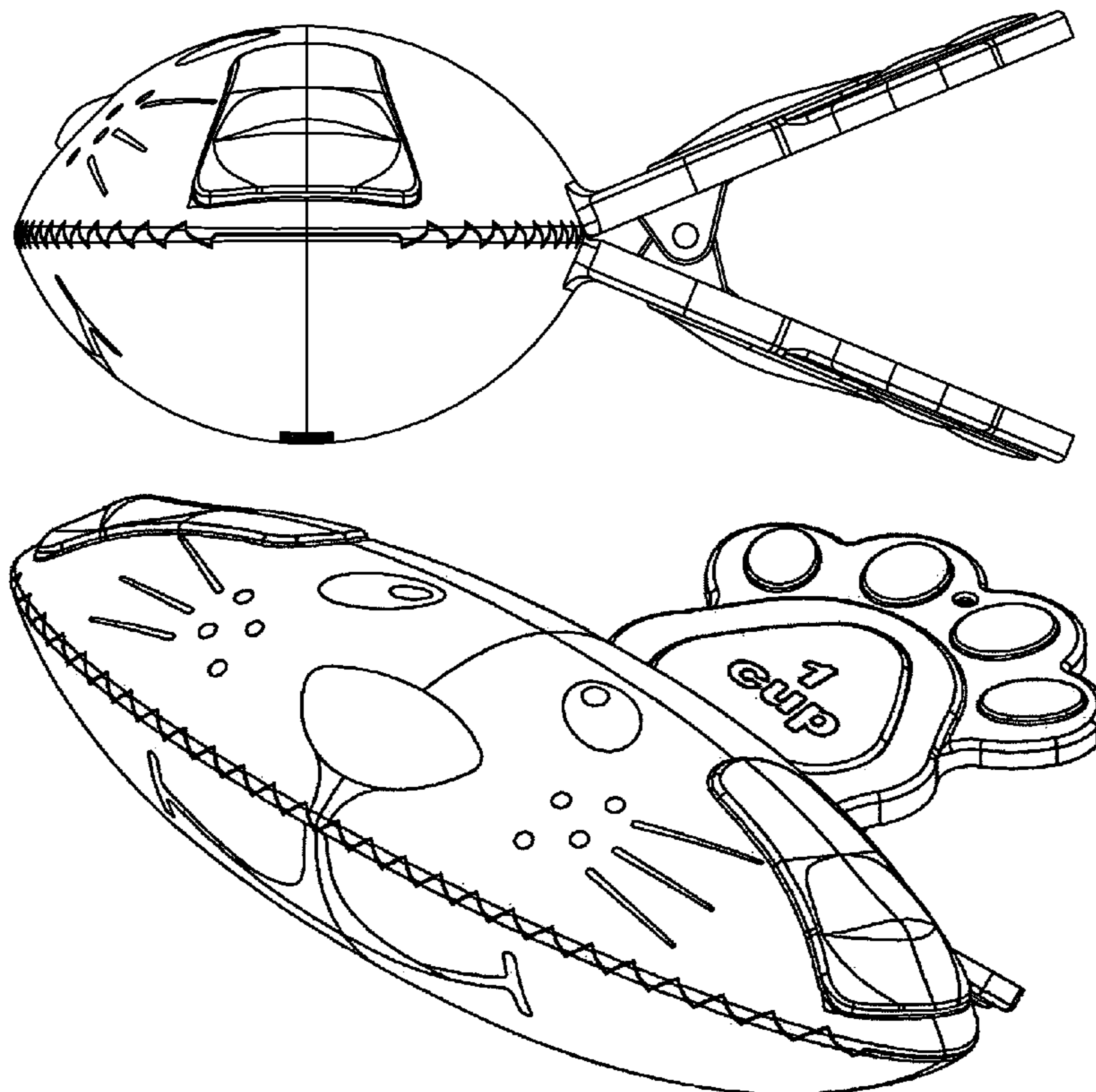
The ornamental design for a bag clip, as shown and described.

DESCRIPTION

FIG. 1 illustrates a top view of the claimed design for a bag clip;
FIG. 2 illustrates a front view thereof;
FIG. 3 illustrates a left-side view thereof;
FIG. 4 illustrates a right-side view thereof;
FIG. 5 illustrates a rear view thereof;
FIG. 6 illustrates a bottom view thereof;
FIG. 7 is a sectional view taken along line 7—7 in FIG. 1; and,
FIG. 8 illustrates a perspective view thereof.

EVRIHOLDER is a registered trademark of Evriholder Products, Inc.

1 Claim, 8 Drawing Sheets



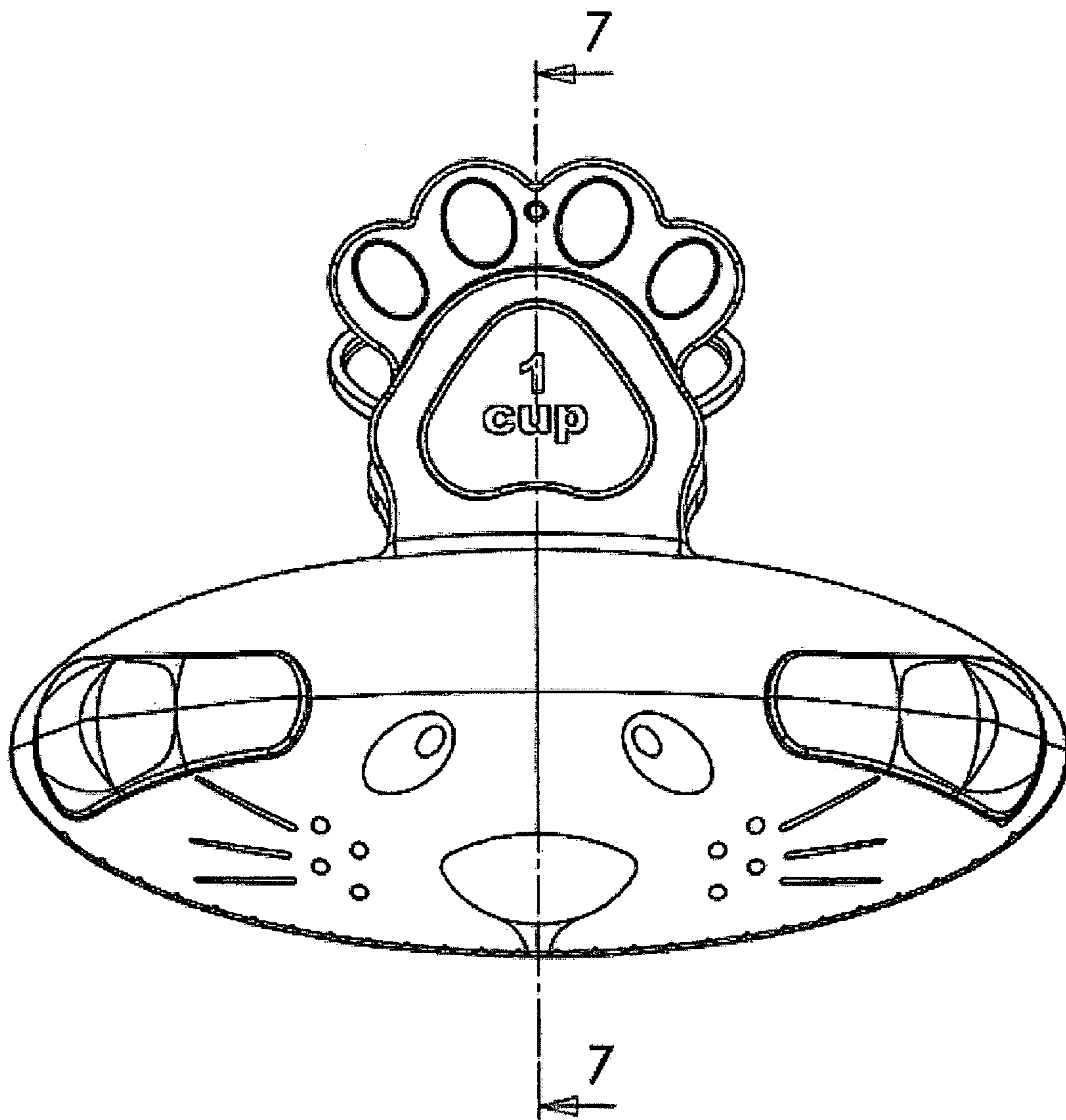


Fig. 1

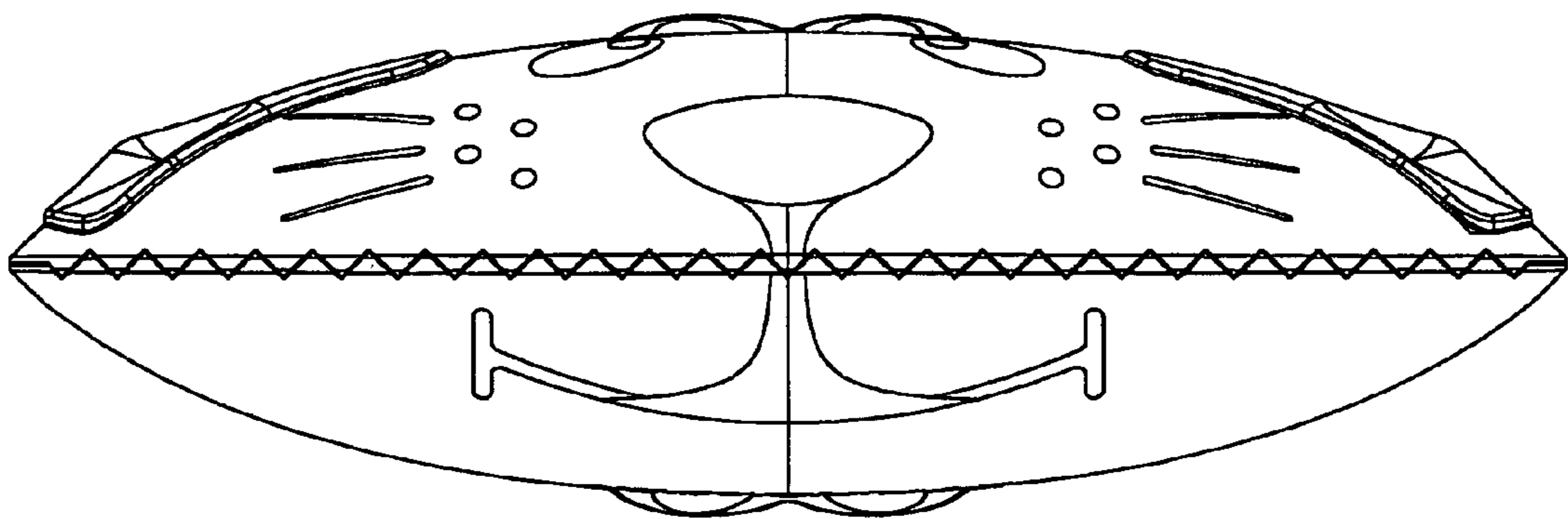


Fig. 2

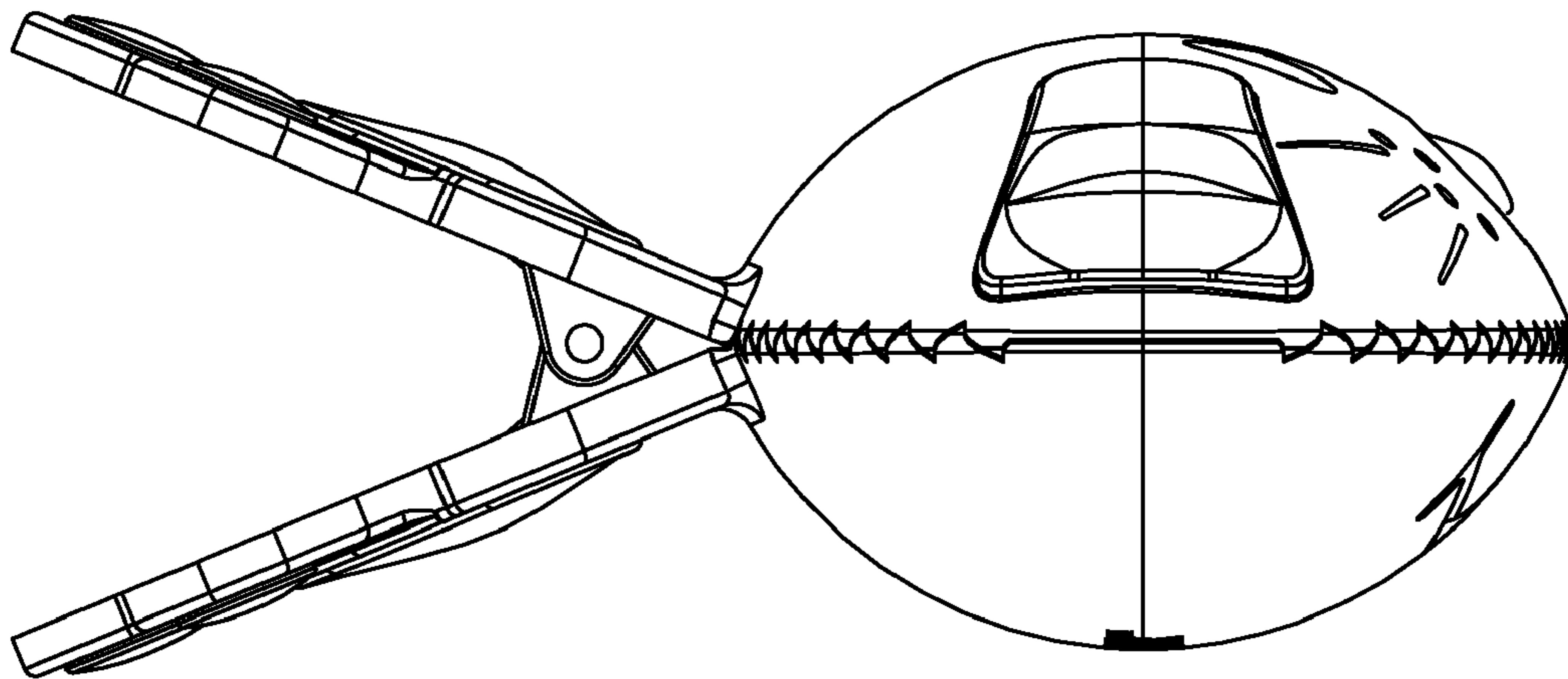


Fig. 3

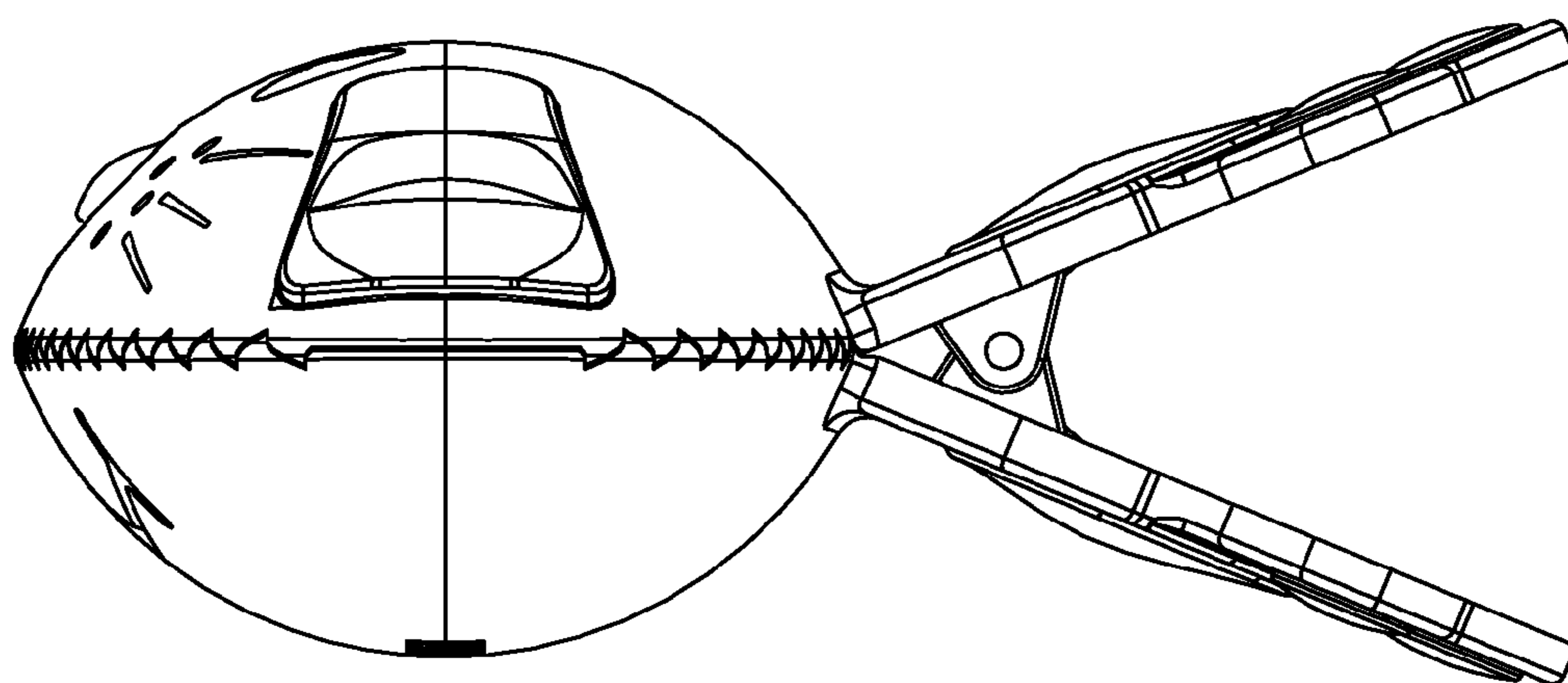


Fig. 4

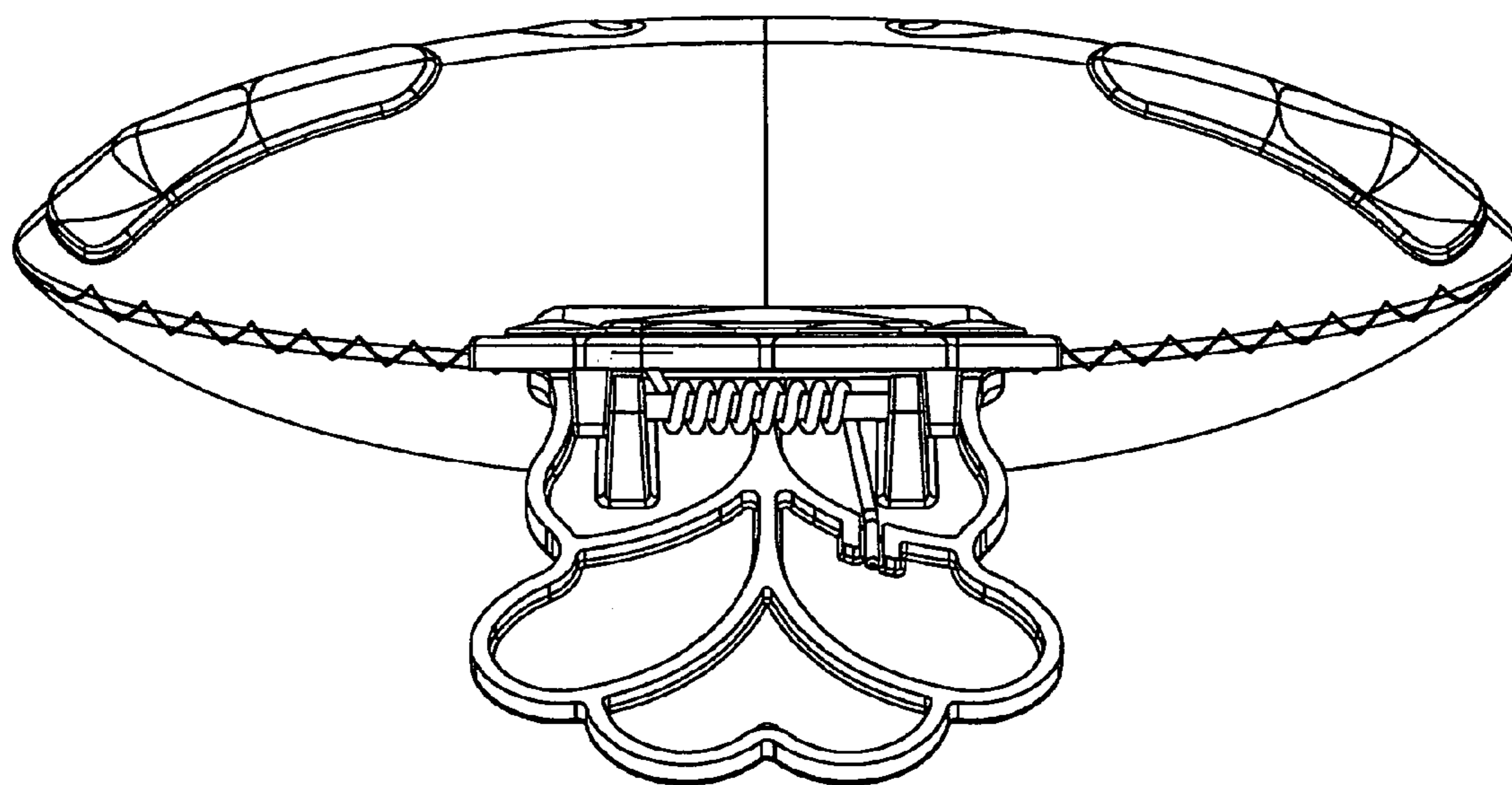


Fig. 5

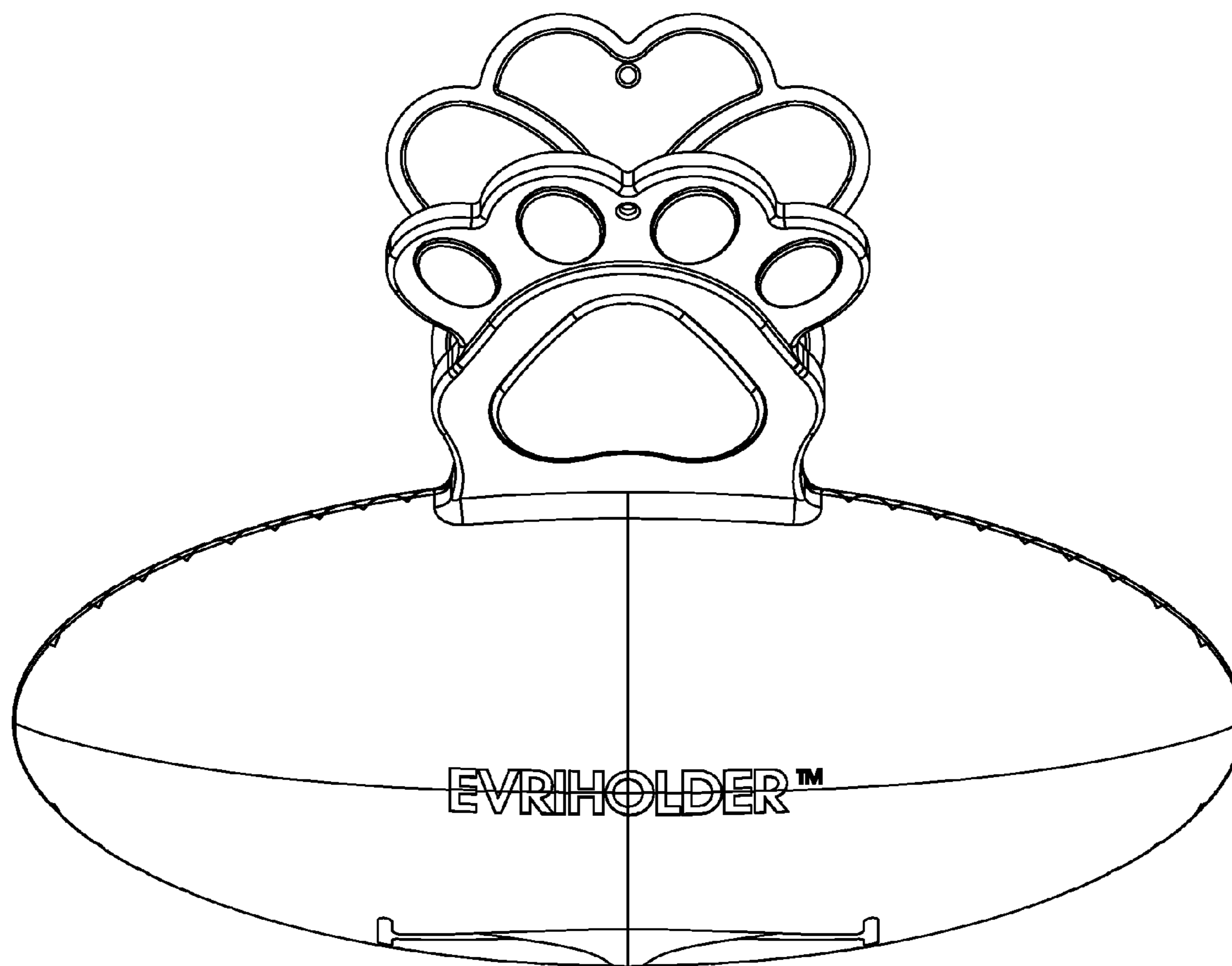


Fig. 6

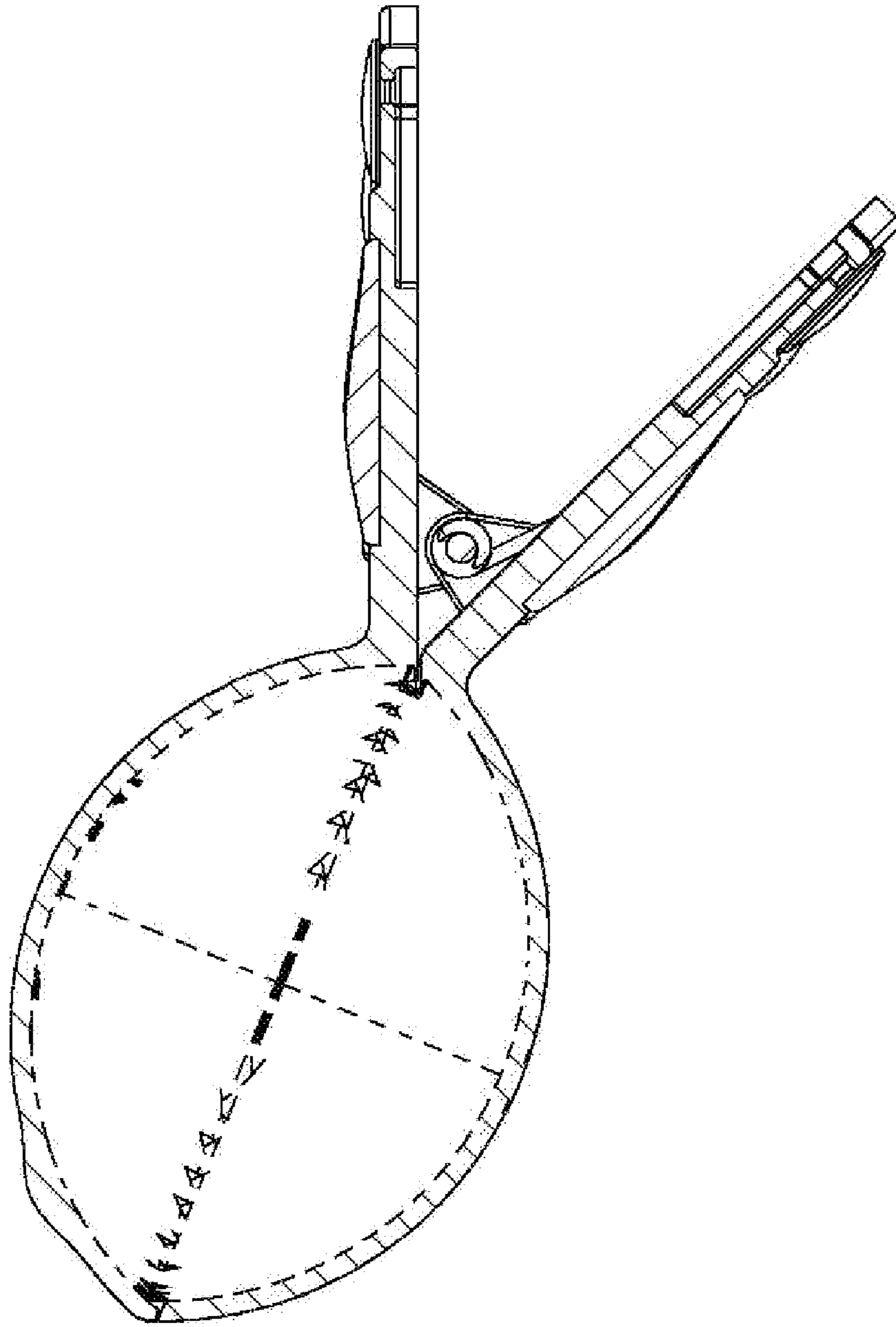


Fig. 7

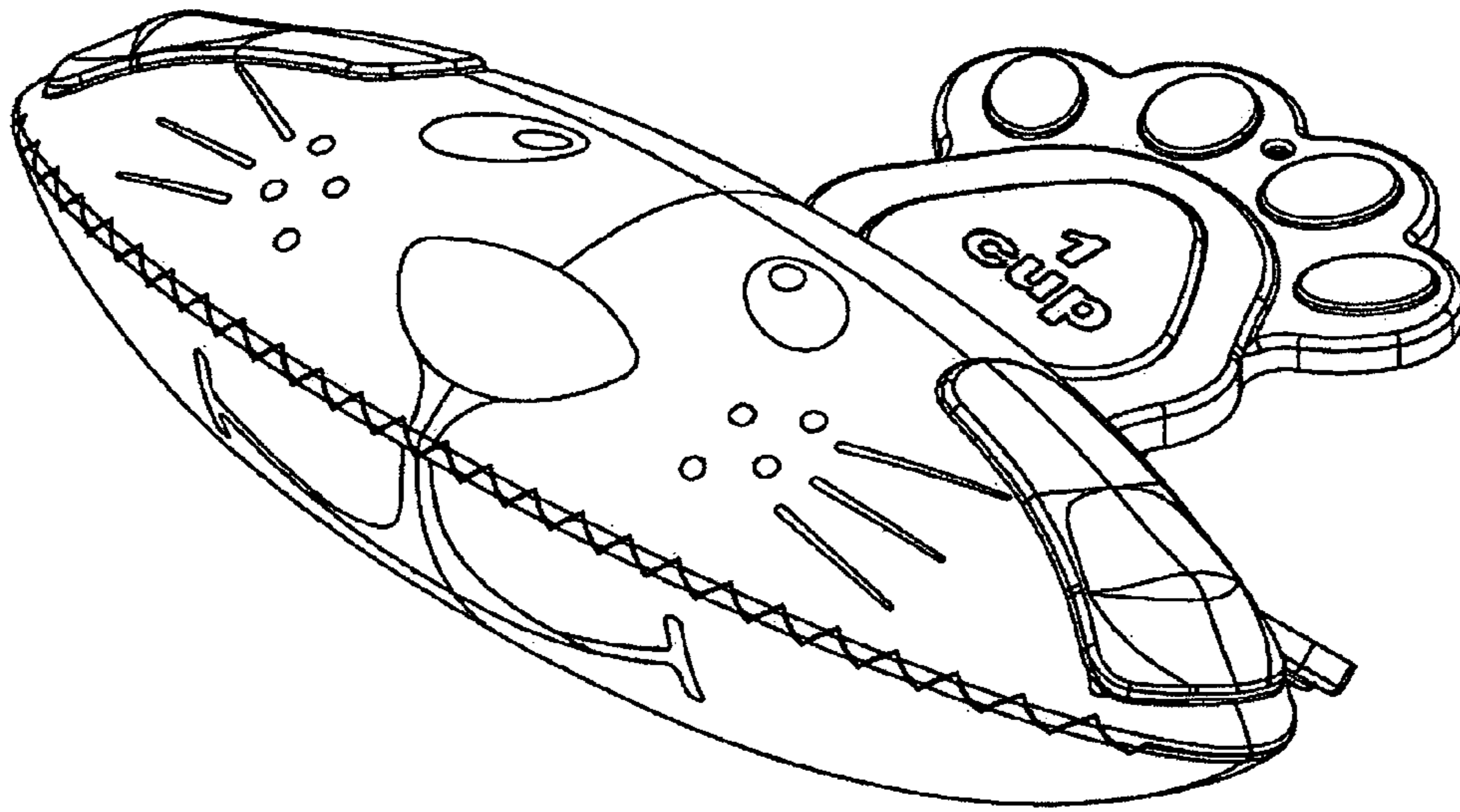


Fig. 8