



US00D598278S

(12) **United States Design Patent**
Herman

(10) **Patent No.:** **US D598,278 S**

(45) **Date of Patent:** **** Aug. 18, 2009**

(54) **CLIP SYSTEM**

(76) **Inventor:** **John C. Herman**, 370 Apache Rd.,
Lyons, CO (US) 80540

(**) **Term:** **14 Years**

(21) **Appl. No.:** **29/269,725**

(22) **Filed:** **Dec. 7, 2006**

Related U.S. Application Data

(63) Continuation-in-part of application No. 11/214,277,
filed on Aug. 29, 2005, now abandoned.

(51) **LOC (9) Cl.** **08-08**

(52) **U.S. Cl.** **D8/395**

(58) **Field of Classification Search** D8/394-396,
D8/72; D19/56, 65, 51; D32/60-64; D28/40;
24/67.3, 6, 11 M, 11 P, 13, 340, 351, 354,
24/355, 570; 248/316.5, 316.7; D18/14,
D18/15, 19

See application file for complete search history.

(56) **References Cited**

U.S. PATENT DOCUMENTS

323,543	A *	8/1885	Thommen	24/709.2
344,226	A *	6/1886	Voss	24/45
382,480	A *	5/1888	Lines	24/334
483,605	A *	10/1892	Fien	24/340
1,149,444	A *	8/1915	Hodgson	24/506
1,520,277	A *	12/1924	Callahan	101/31.1
2,930,465	A *	3/1960	Lotsch	400/134.5
3,806,997	A *	4/1974	Niwa	24/709.9

D419,178	S *	1/2000	Kim et al.	D18/15
D467,400	S *	12/2002	Barre et al.	D32/61
D512,906	S *	12/2005	Wood	D8/395
D518,367	S *	4/2006	Hay	D8/395
D549,417	S *	8/2007	Siegel et al.	D32/61
D573,655	S *	7/2008	Niwa	D20/43
D573,856	S *	7/2008	Nakamura et al.	D8/50
D578,781	S *	10/2008	Hansen	D6/328

* cited by examiner

Primary Examiner—T. Chase Nelson

Assistant Examiner—John Windmuller

(74) *Attorney, Agent, or Firm*—Emery L. Tracy

(57) **CLAIM**

The ornamental design for a clip system, as shown and described.

DESCRIPTION

FIG. 1 is a perspective view illustrating a clip system;

FIG. 2 is a side view illustrating the clip system of FIG. 1 in an alternate position of use;

FIG. 3 is another side view illustrating the clip system of FIG. 1;

FIG. 4 is another perspective view illustrating the clip system of FIG. 1;

FIG. 5 is a top view illustrating the clip system of FIG. 1;

FIG. 6 is a bottom view illustrating the clip system of FIG. 1; and,

FIG. 7 is an end view illustrating the clip system of FIG. 1.

1 Claim, 2 Drawing Sheets

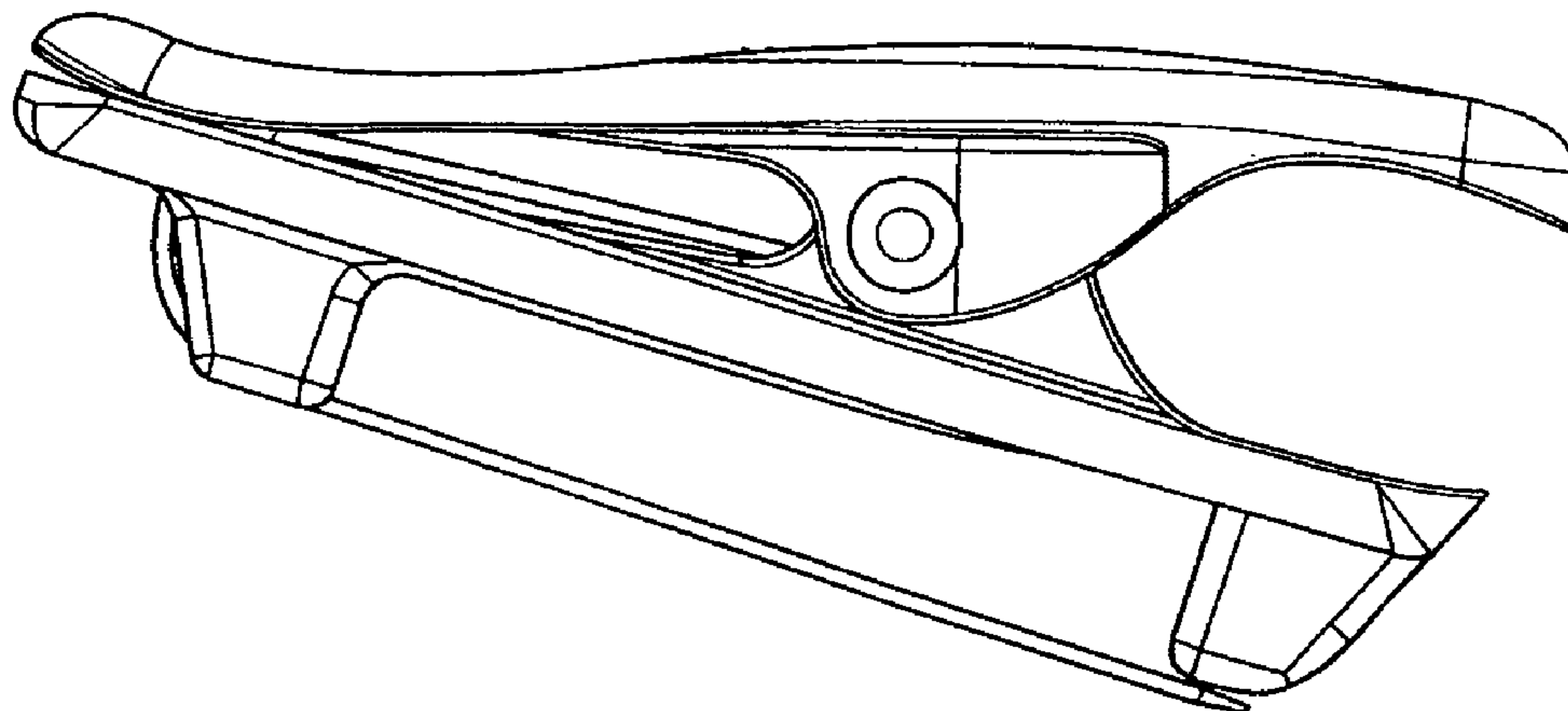


Fig. 1

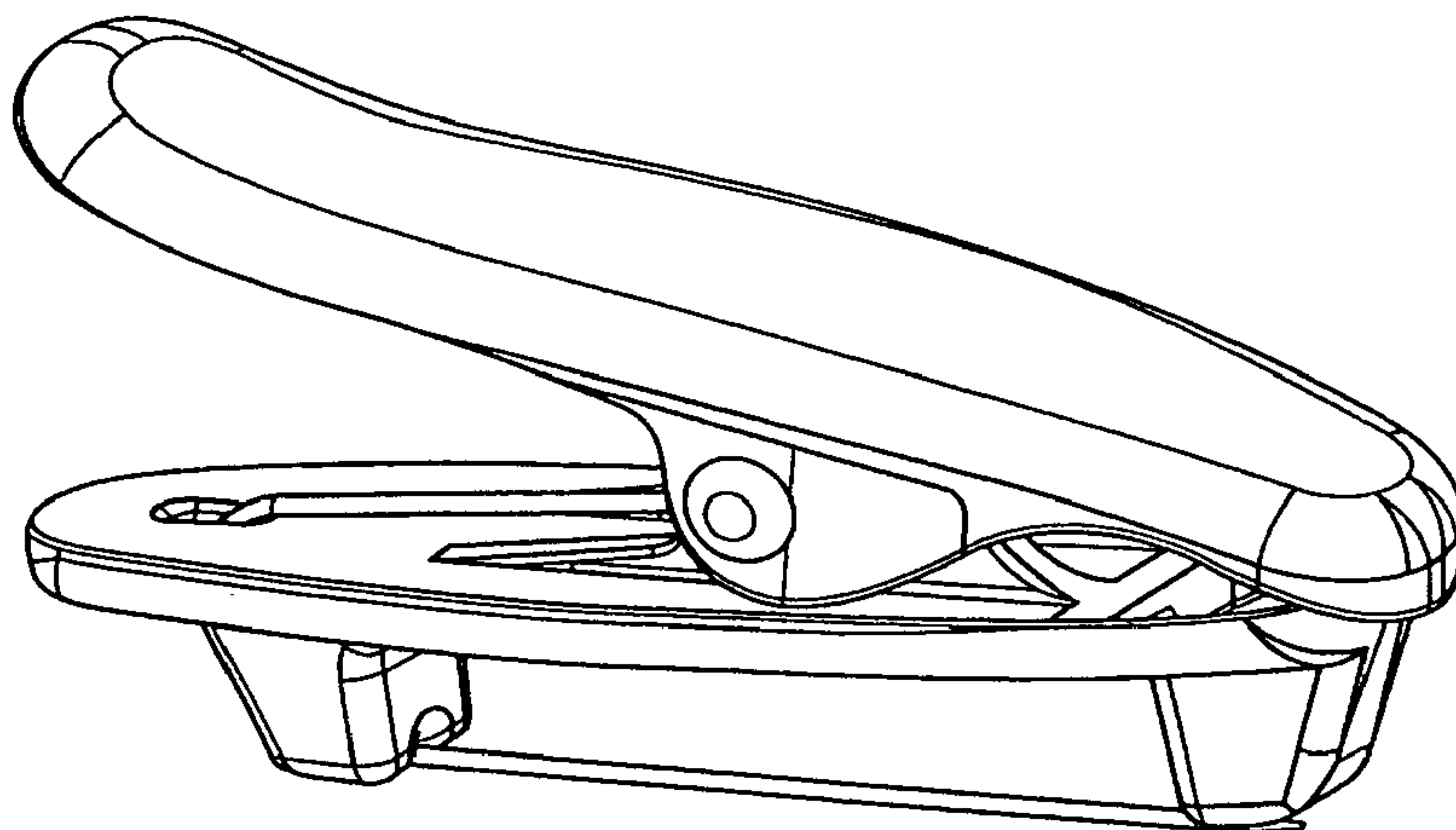


Fig. 2

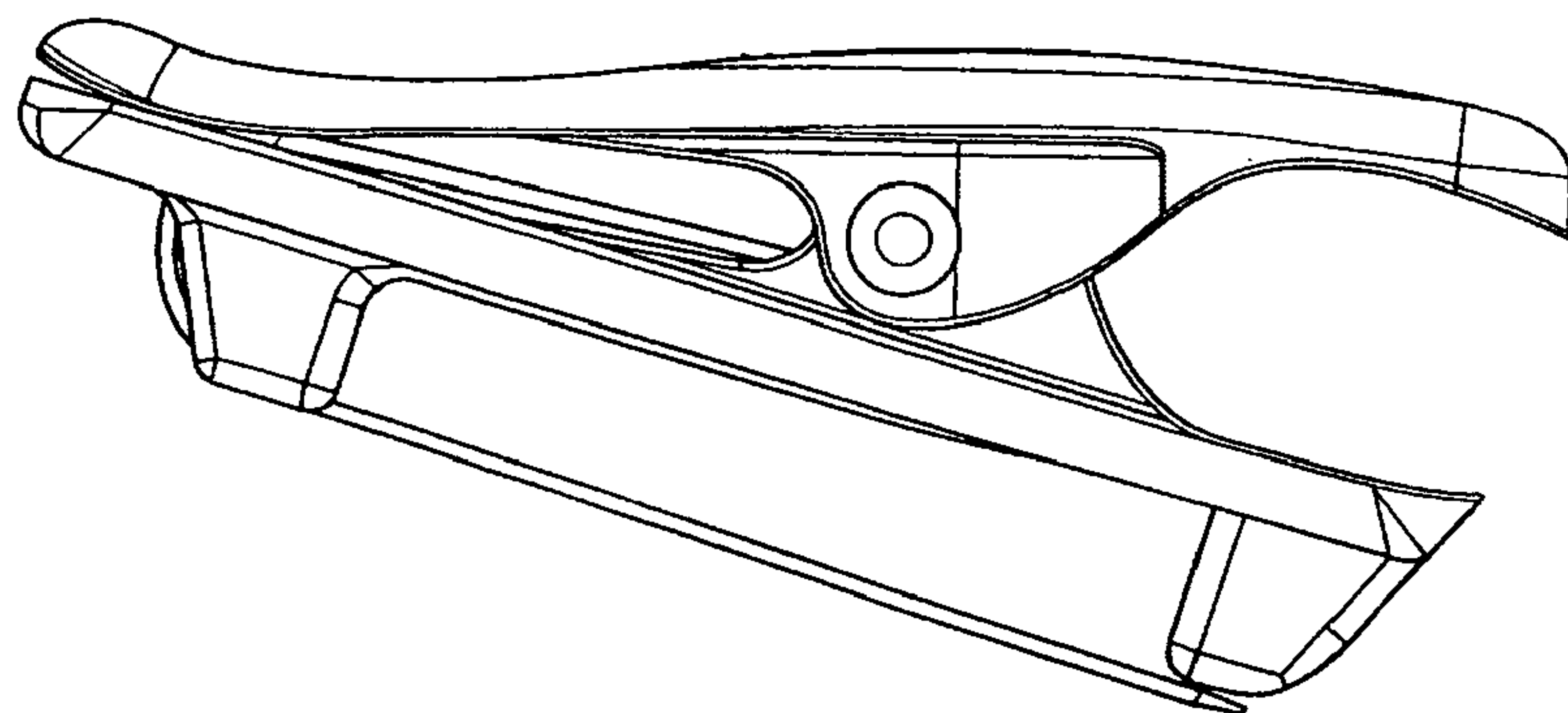


Fig. 3

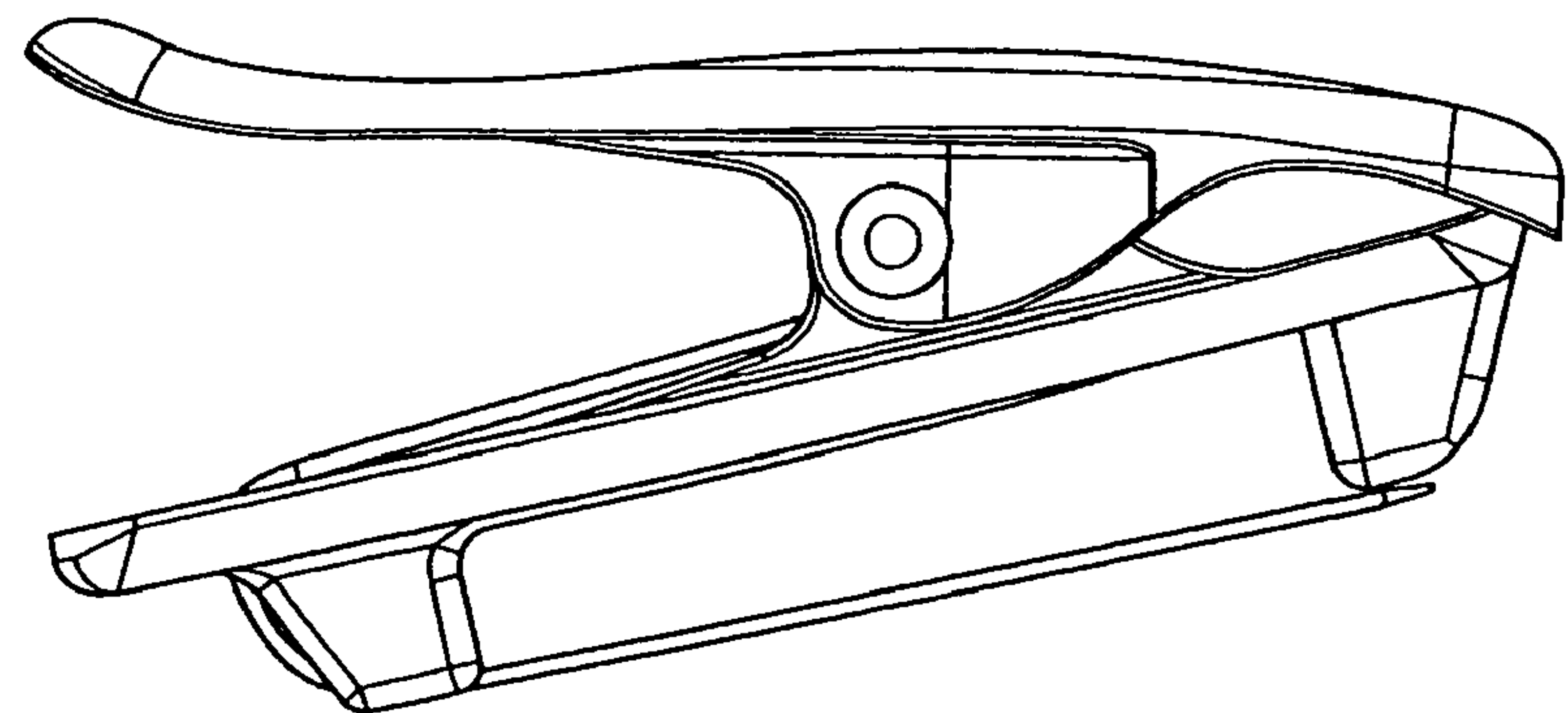


Fig. 4

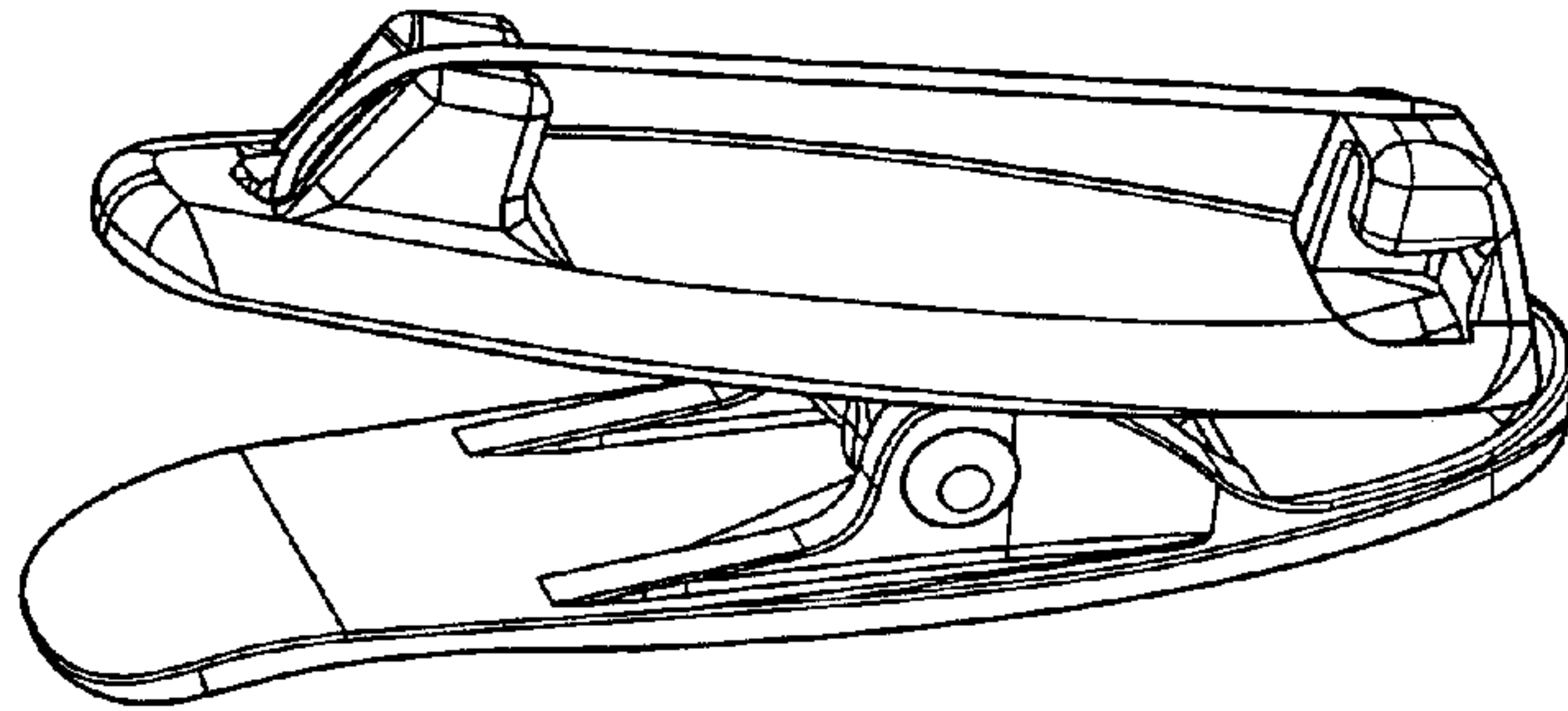


Fig. 5

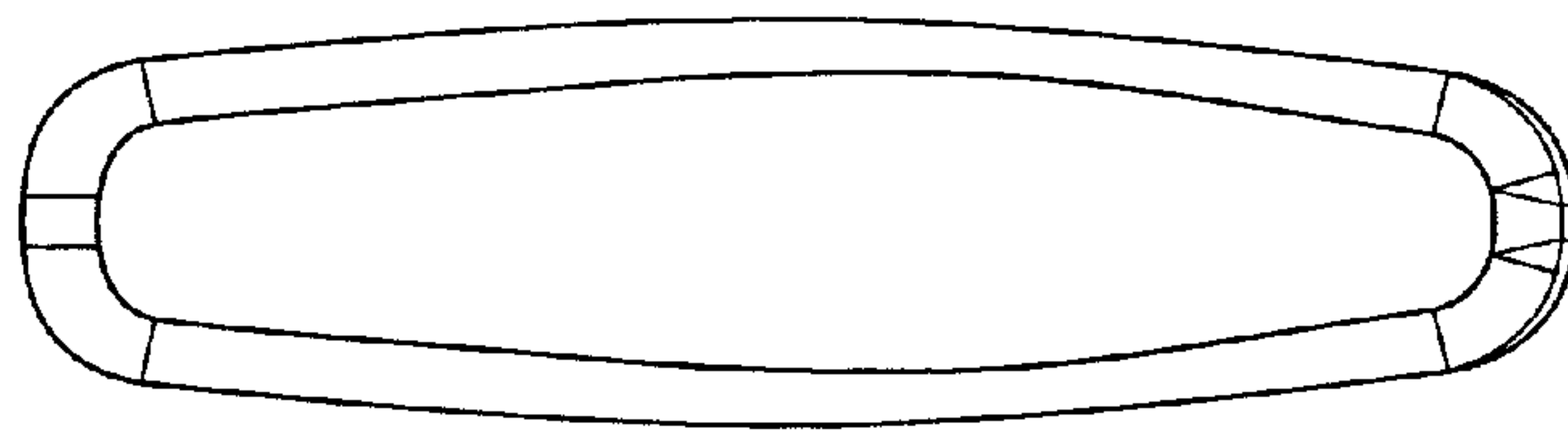


Fig. 6

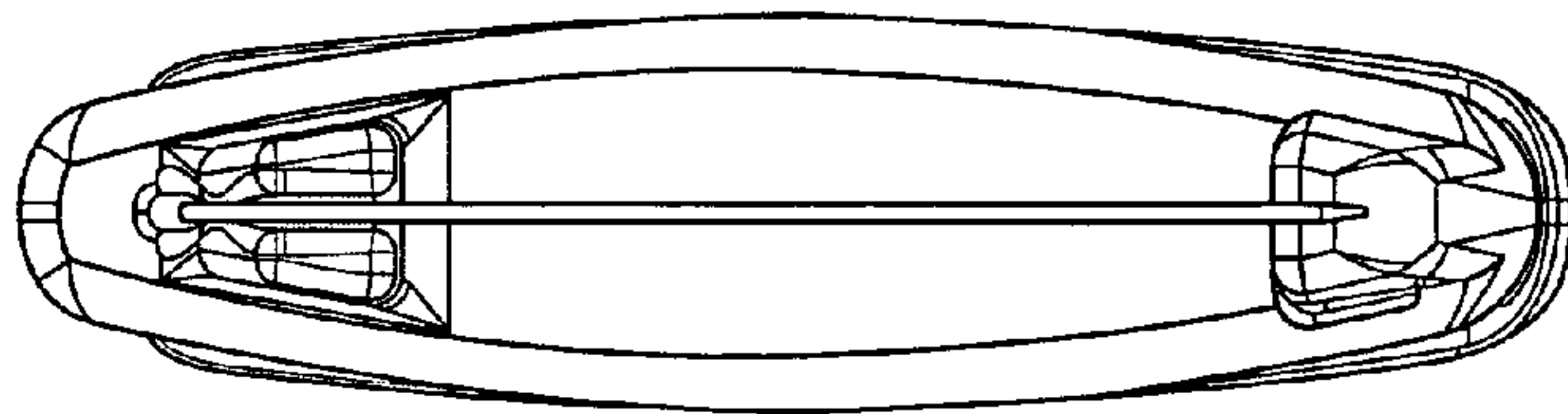


Fig. 7

