



US00D598277S

(12) **United States Design Patent**
Tsai

(10) **Patent No.:** **US D598,277 S**
(45) **Date of Patent:** **** Aug. 18, 2009**

(54) **CONNECTING MEMBER**

(75) Inventor: **Ritter Tsai**, Changhua Hsien (TW)

(73) Assignees: **Huei Tyng Enterprise Co., Ltd.**,
Changhua Hsien (TW); **Edifice Co., Ltd.**,
Taipei (TW)

(**) Term: **14 Years**

(21) Appl. No.: **29/278,745**

(22) Filed: **Apr. 9, 2007**

(30) **Foreign Application Priority Data**

Mar. 16, 2007 (TW) 96301527

(51) **LOC (9) Cl.** **08-08**

(52) **U.S. Cl.** **D8/394; D8/382; D7/701**

(58) **Field of Classification Search** D8/356,
D8/371, 394-396, 354, 380, 381, 382; 24/570;
248/74.2, 215, 227.1, 49, 300, 301, 316.7,
248/51, 489; D19/65, 56; D7/701

See application file for complete search history.

(56) **References Cited**

U.S. PATENT DOCUMENTS

2,034,001	A *	3/1936	Ricefield	464/73
2,633,662	A *	4/1953	Nelson	446/114
D206,012	S *	10/1966	Kristlansen	D21/488
3,487,579	A *	1/1970	Brettingen	446/128
3,688,461	A *	9/1972	Rensch et al.	52/653.1
D227,528	S *	7/1973	Whal	D8/382
4,302,900	A *	12/1981	Rayner	446/120
D263,483	S *	3/1982	Chen	D21/386
4,828,268	A *	5/1989	Somerville	273/283
D304,214	S *	10/1989	Buist	D21/489
4,886,477	A *	12/1989	Ziegler	446/104
4,964,834	A *	10/1990	Myller	446/118
5,057,049	A *	10/1991	Kaczperski	446/128
5,061,219	A *	10/1991	Glickman	446/126
D327,511	S *	6/1992	Castillo	D21/386
5,368,514	A *	11/1994	Glickman et al.	446/122
D354,996	S *	1/1995	Barzani	D21/488

5,667,326	A *	9/1997	McGaffigan	403/176
5,901,859	A *	5/1999	Carr et al.	211/45
5,904,606	A *	5/1999	Zimmer et al.	446/108
D411,261	S *	6/1999	Movsesian	D21/484
5,941,183	A *	8/1999	Ming-Shun	108/153.1
5,941,399	A *	8/1999	Wang	211/187
6,068,533	A *	5/2000	Glickman et al.	446/111
6,342,011	B1 *	1/2002	Pokrandt et al.	464/73
D456,462	S *	4/2002	Sorensen	D21/488
6,397,537	B2 *	6/2002	Auer et al.	52/282.2
6,422,909	B2 *	7/2002	Clever et al.	446/108
D481,299	S *	10/2003	Fujioka	D8/382
6,682,255	B2 *	1/2004	Battaglia et al.	403/381
6,732,870	B2 *	5/2004	Johansson	211/187
6,843,700	B2 *	1/2005	Glickman	446/127
7,086,341	B2 *	8/2006	Peddicord	108/180
D532,832	S *	11/2006	Van Ness	D21/386
D536,390	S *	2/2007	Van Ness	D21/386
D536,392	S *	2/2007	Van Ness	D21/386
7,178,765	B2 *	2/2007	Huang	248/122.1
D571,644	S *	6/2008	Ilang	D8/382
D588,208	S *	3/2009	Sinisi et al.	D21/502

* cited by examiner

Primary Examiner—T. Chase Nelson

Assistant Examiner—John Windmuller

(74) *Attorney, Agent, or Firm*—Alan Kamrath; Kamrath & Associates PA

(57) **CLAIM**

The ornamental design for a connecting member, as shown.

DESCRIPTION

FIG. 1 is a perspective view of a connecting member showing my new design;

FIG. 2 is a front view thereof;

FIG. 3 is a rear view thereof;

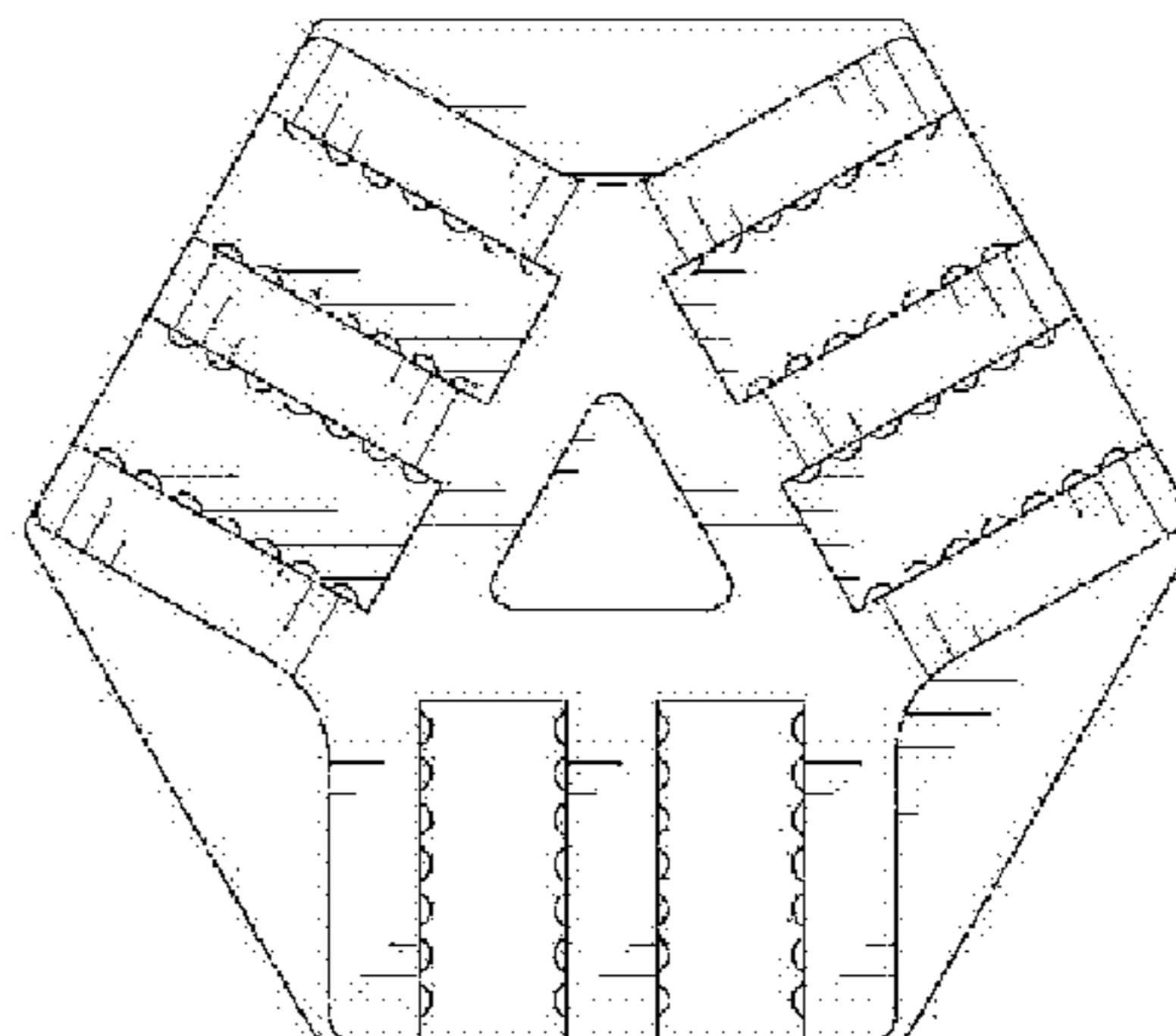
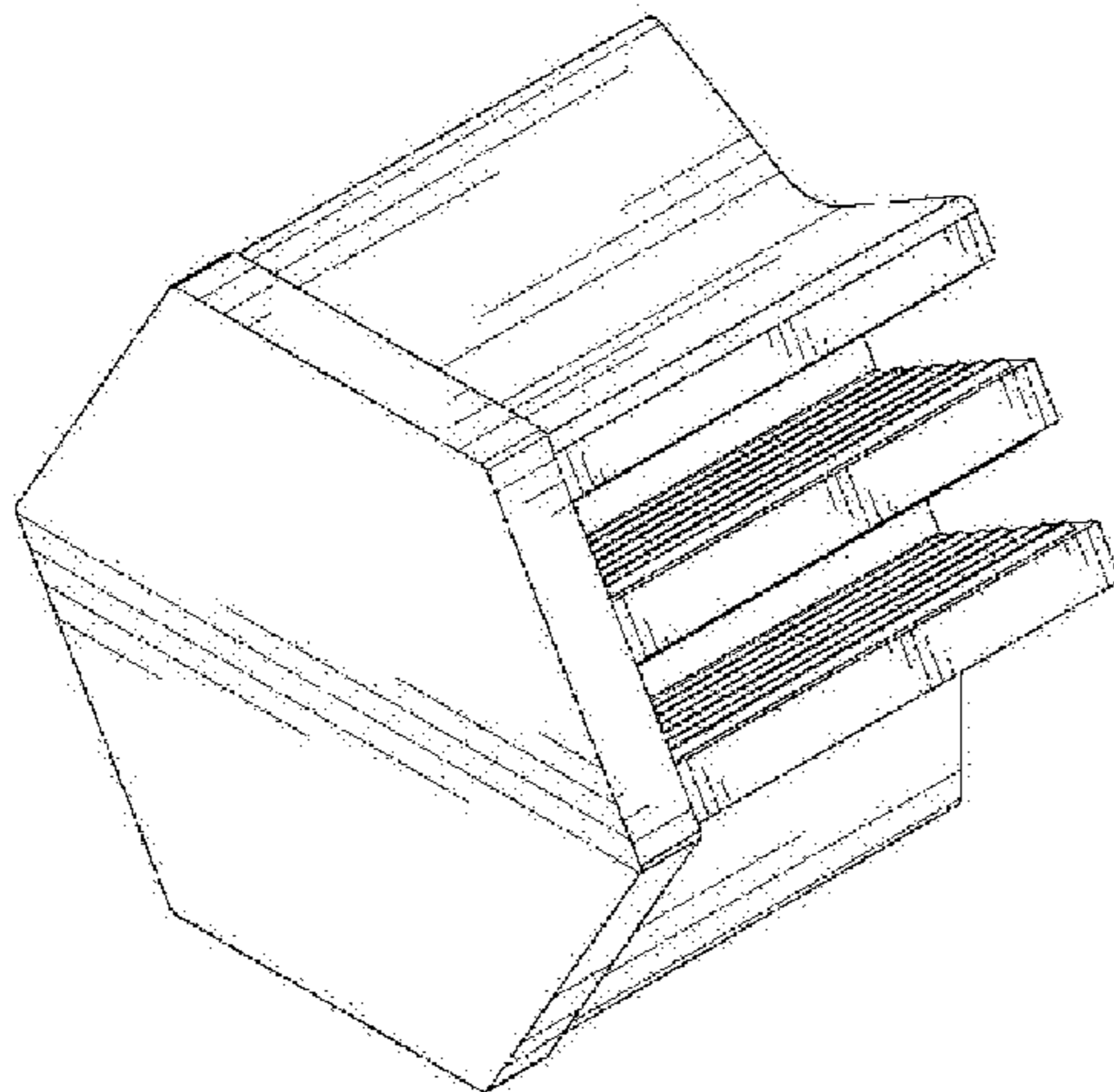
FIG. 4 is a left view thereof;

FIG. 5 is a right view thereof;

FIG. 6 is a top view thereof; and,

FIG. 7 is a bottom view thereof.

1 Claim, 3 Drawing Sheets



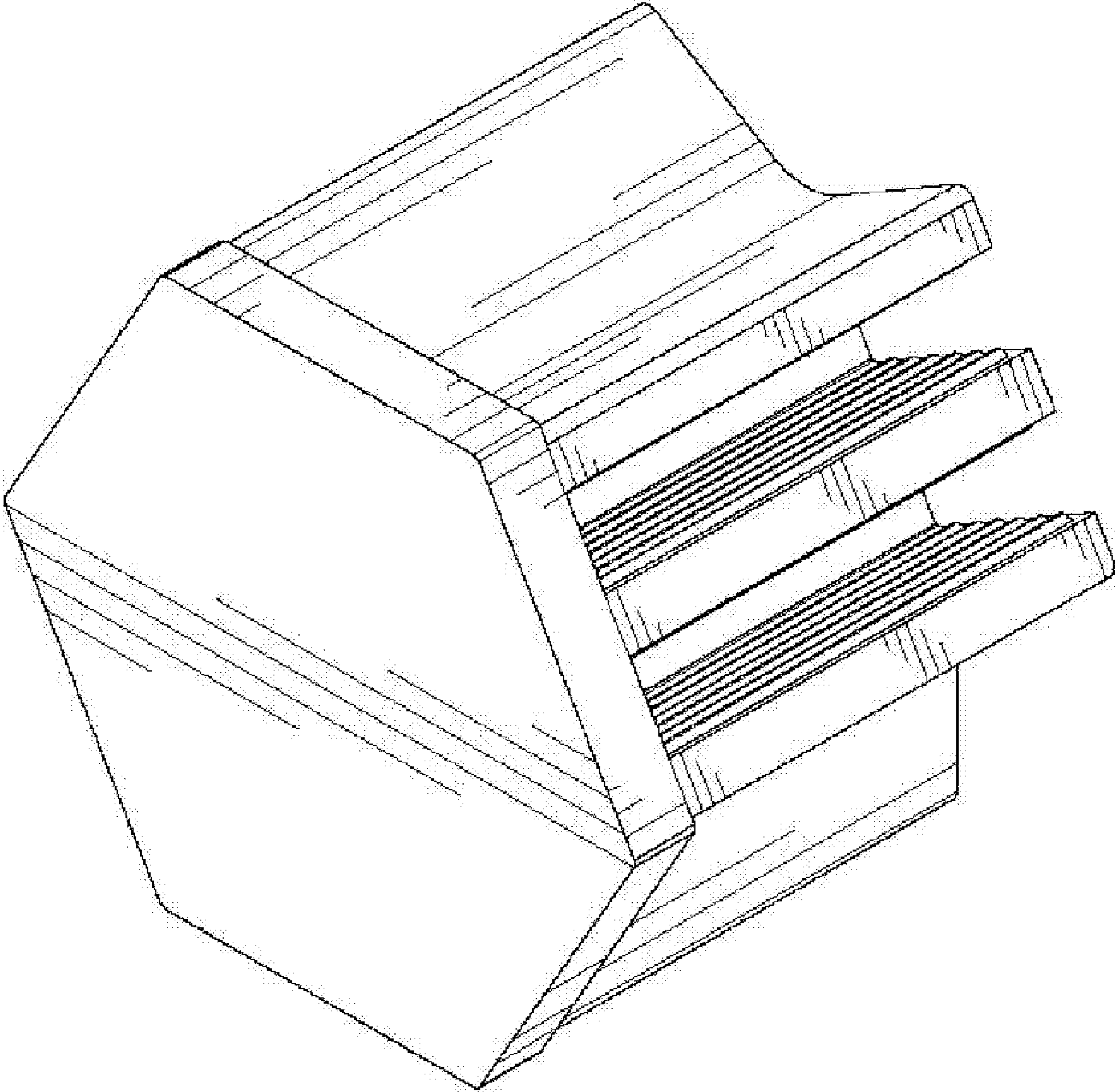


Fig. 1

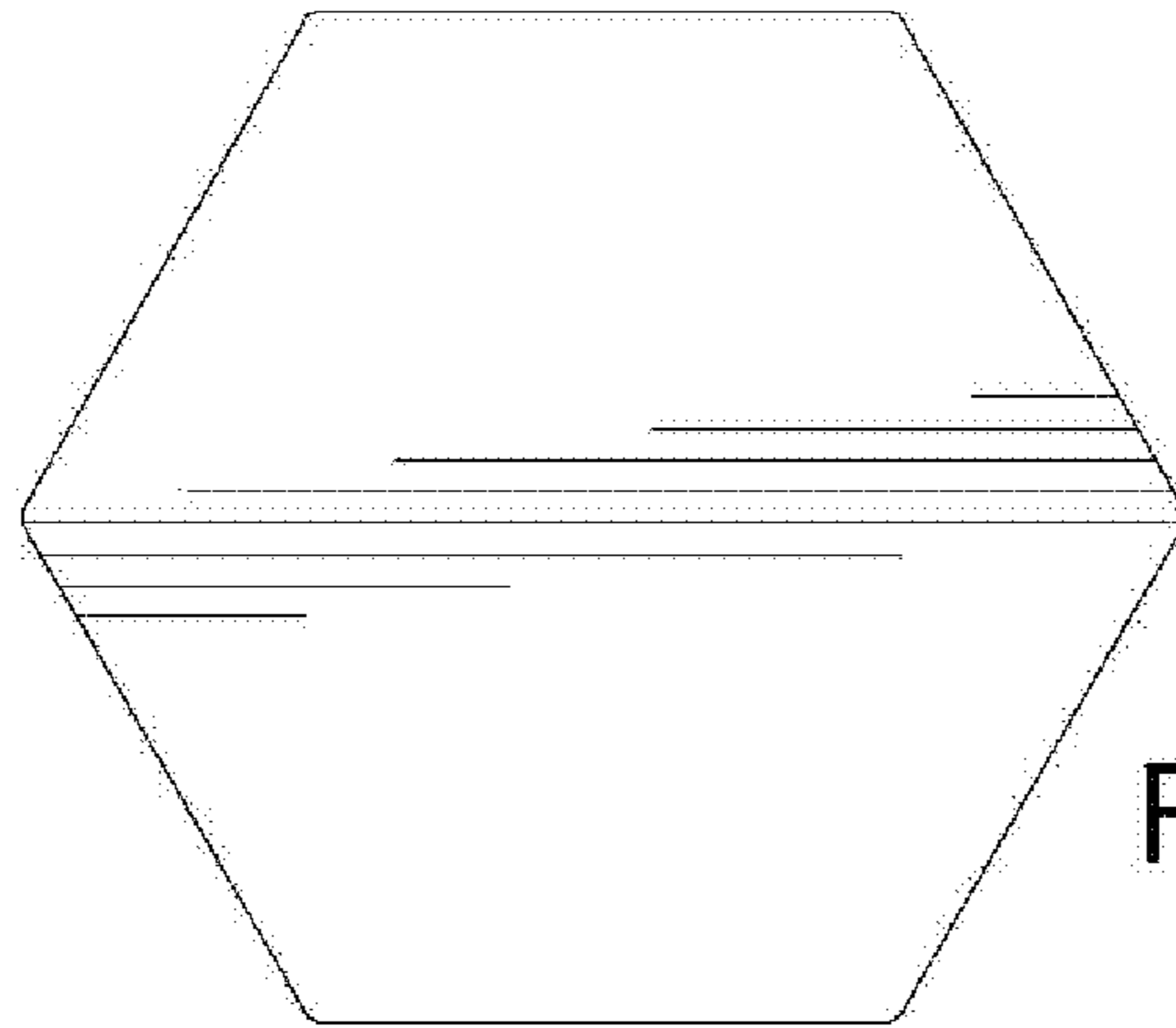


Fig.2

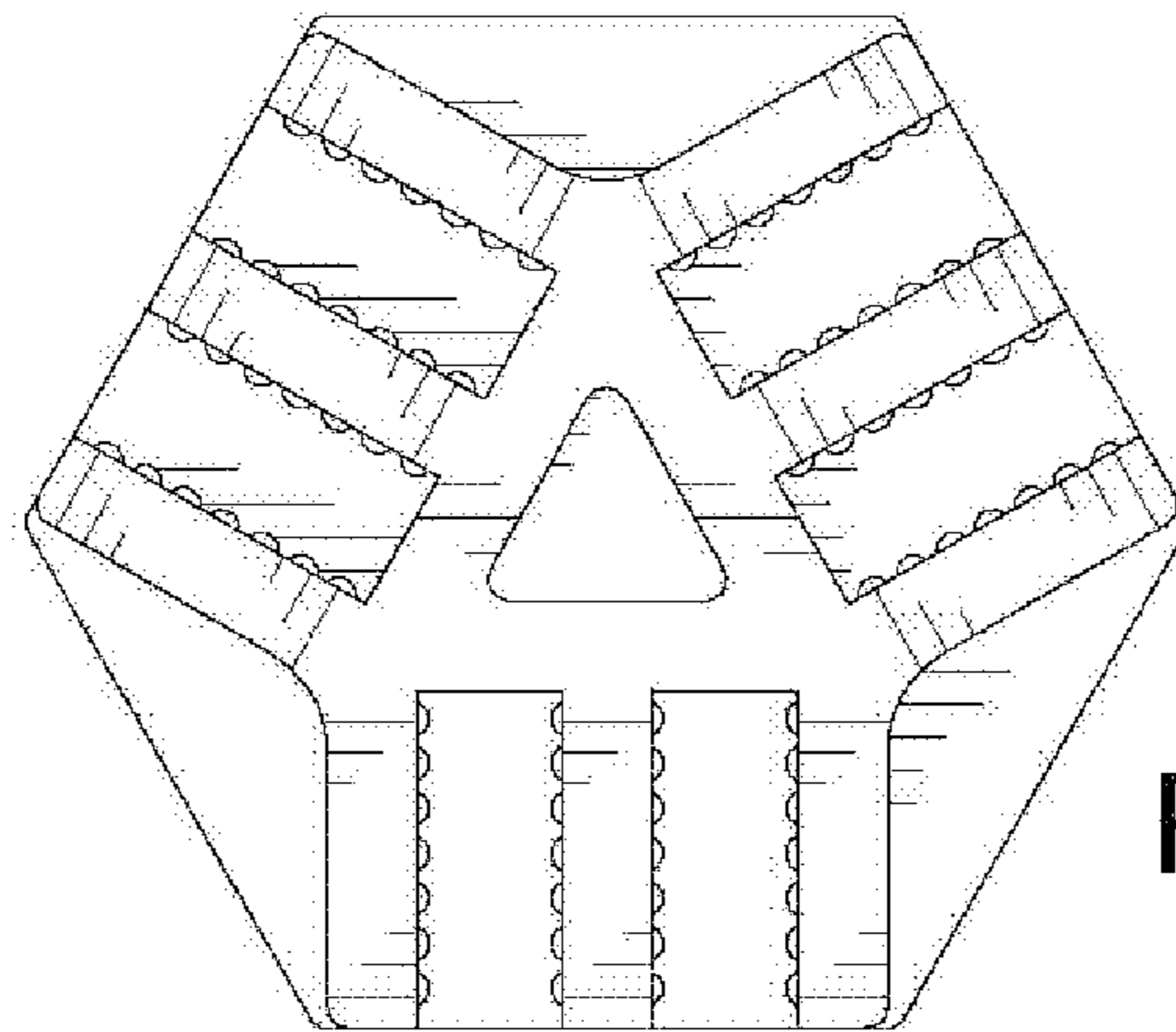


Fig.3

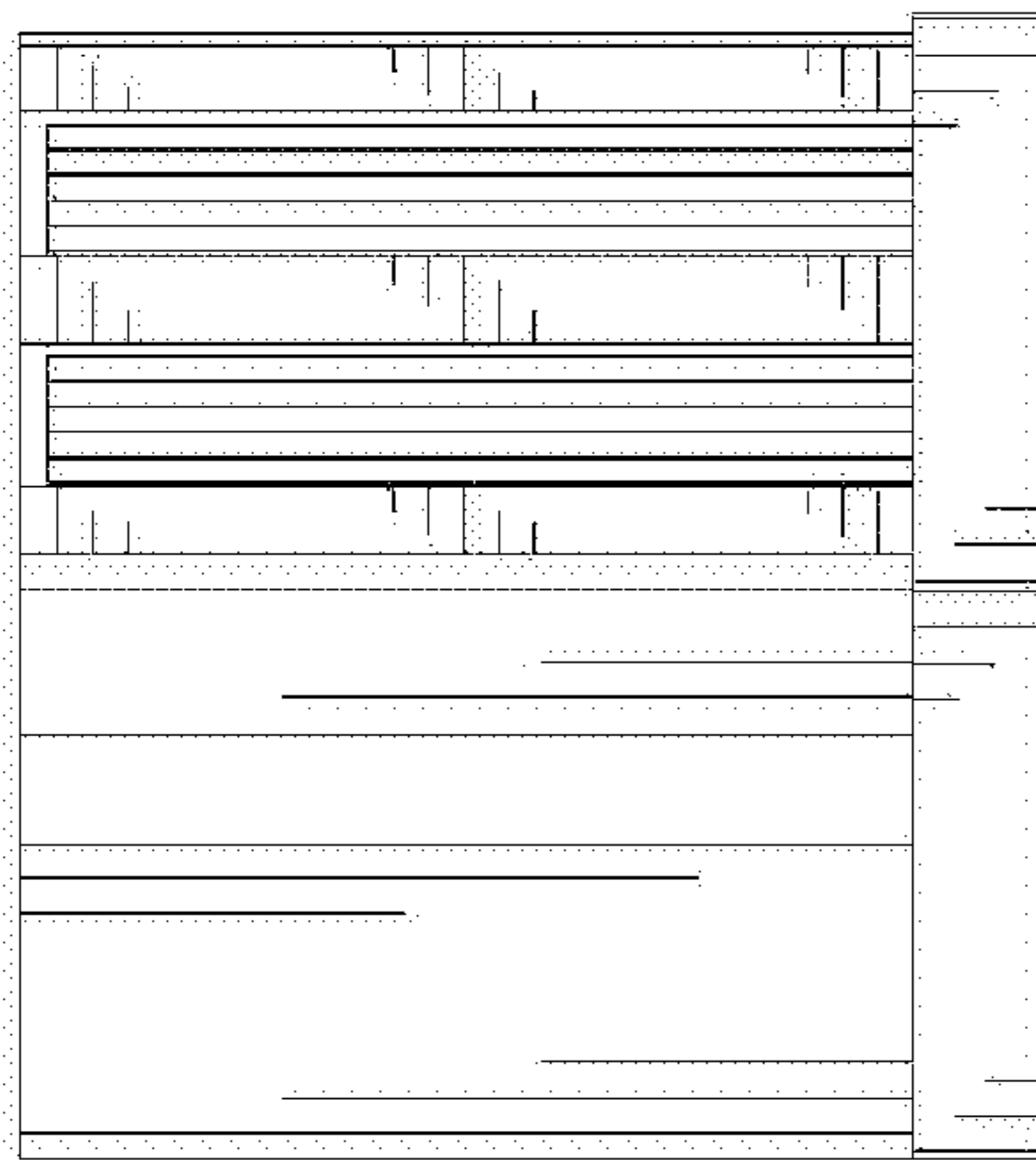


Fig.4

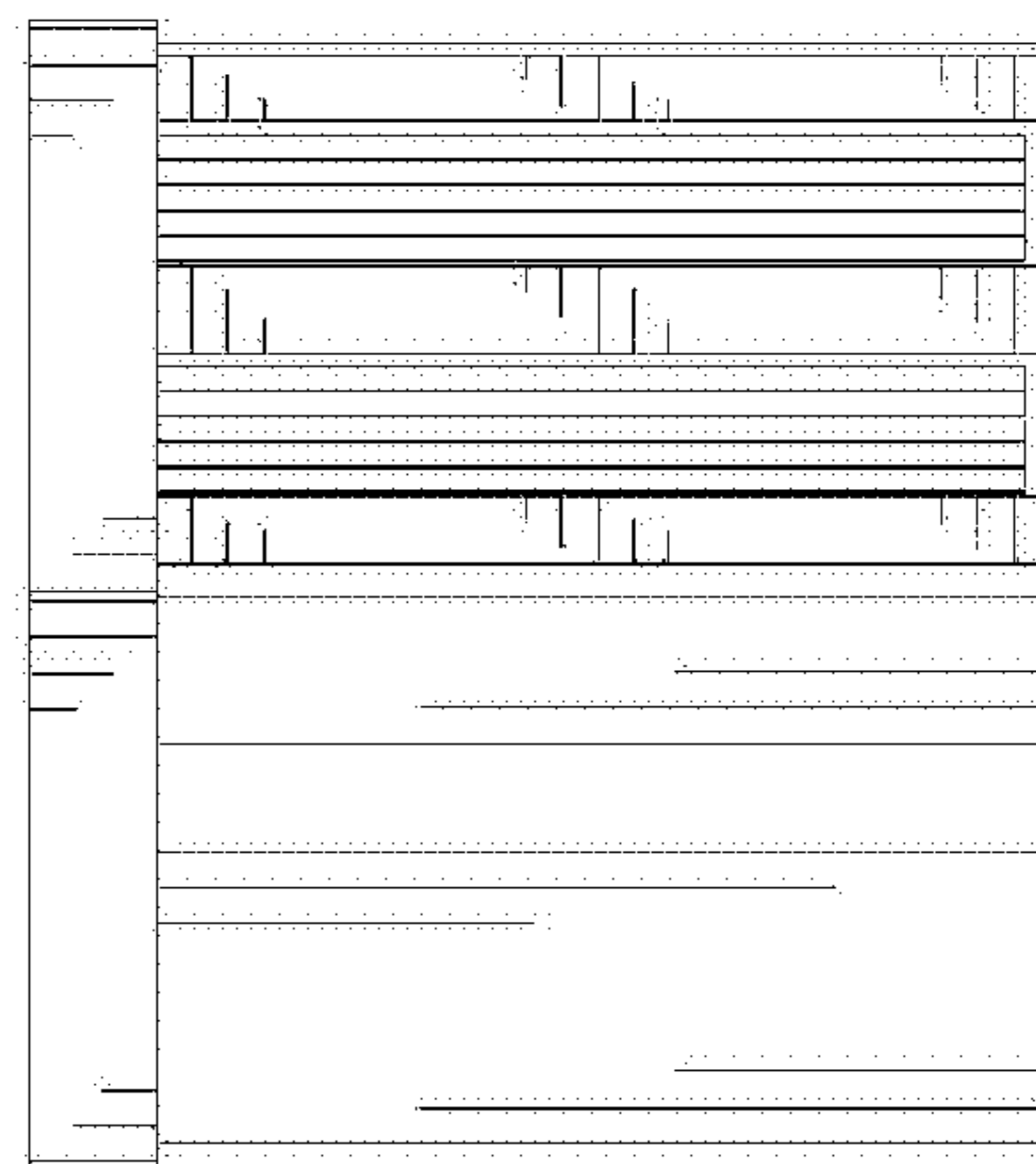


Fig.5

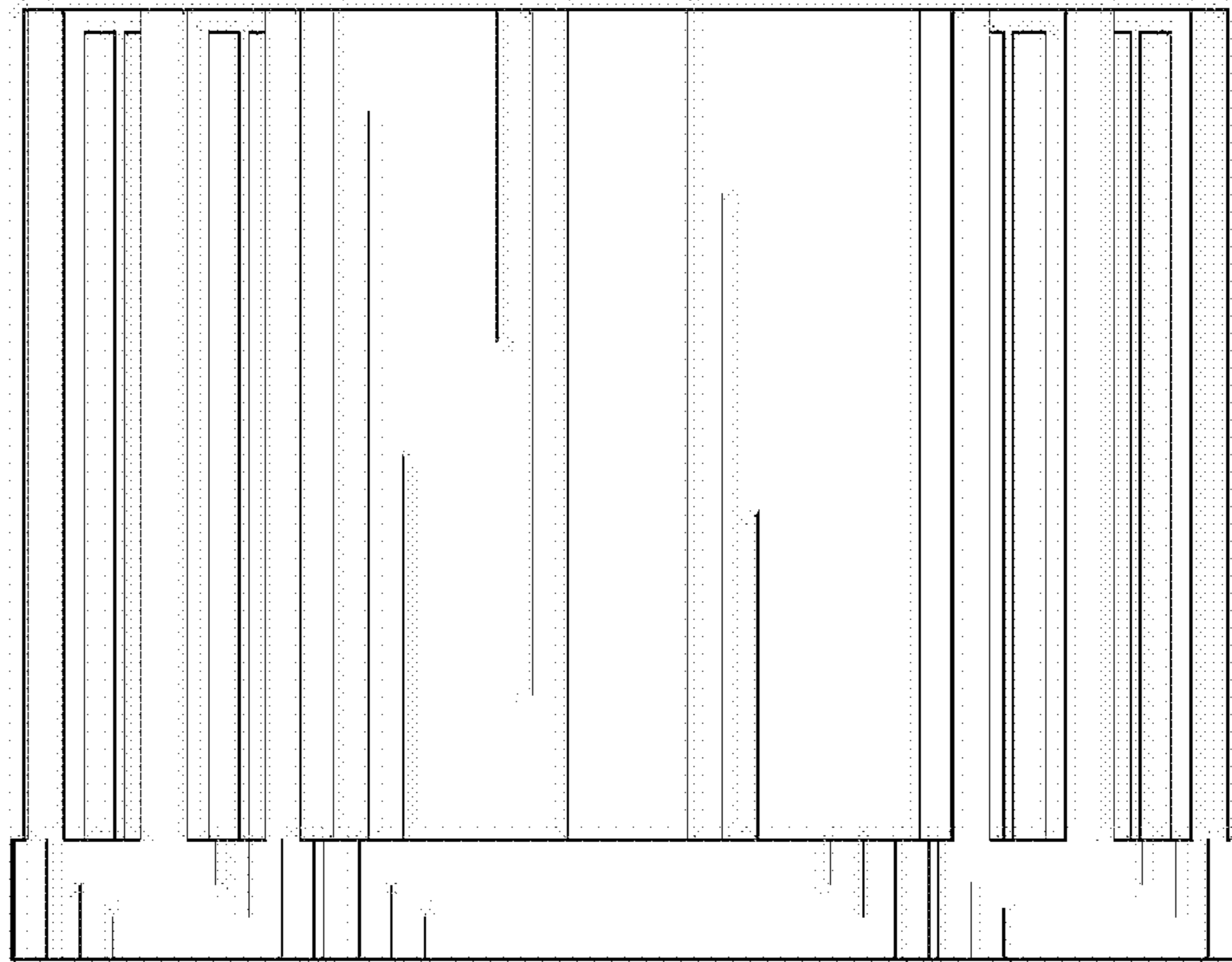


Fig. 6

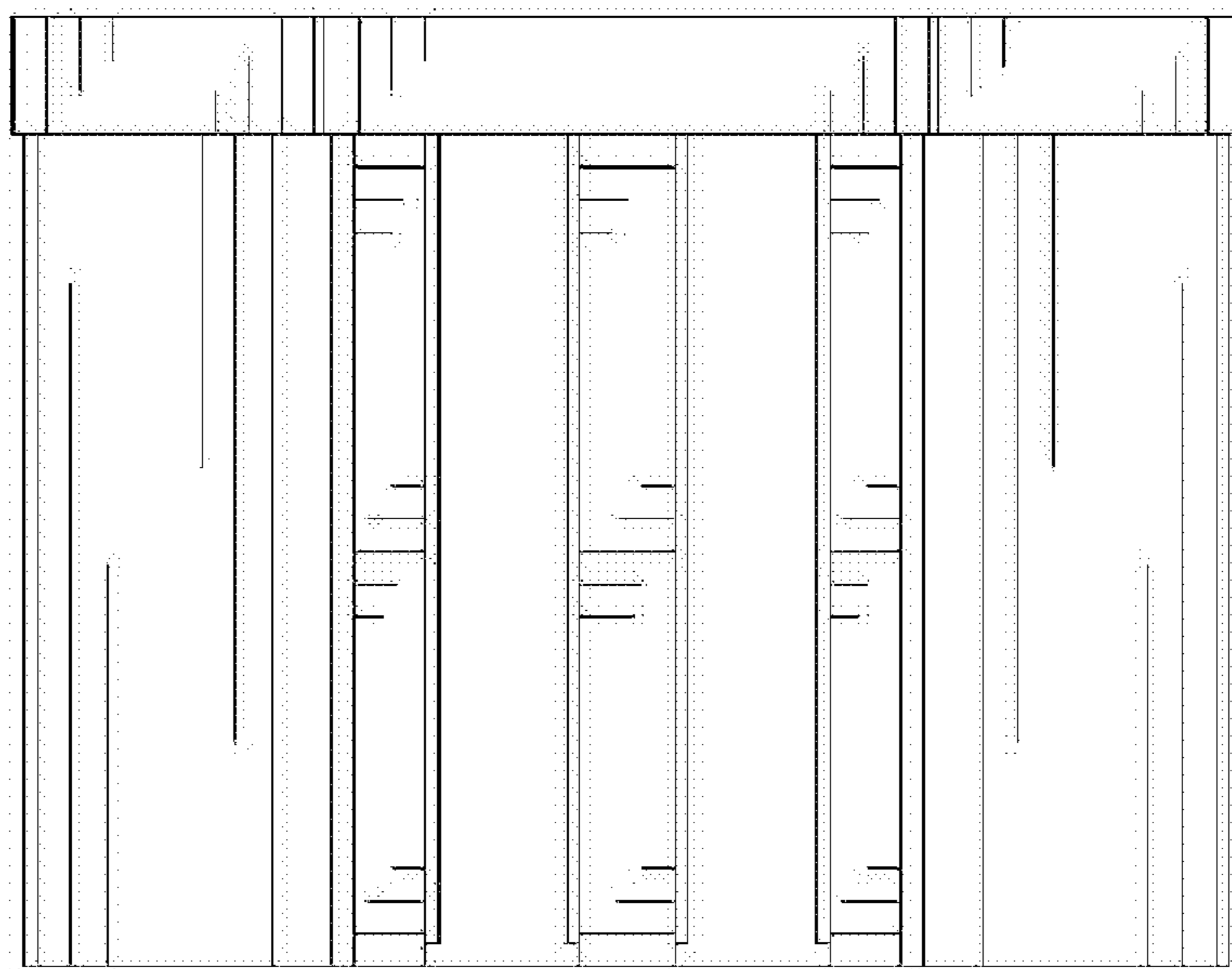


Fig. 7