



US00D598274S

(12) **United States Design Patent**
Nerskov

(10) **Patent No.:** **US D598,274 S**

(45) **Date of Patent:** **** Aug. 18, 2009**

(54) **MOUNTING HOLDER**

(75) Inventor: **Niels Erik Nerskov**, Raslev (DK)

(73) Assignee: **Hetra APS**, Horsens (DK)

(**) Term: **14 Years**

(21) Appl. No.: **29/290,501**

(22) Filed: **Dec. 11, 2007**

(51) **LOC (9) Cl.** **08-05**

(52) **U.S. Cl.** **D8/354**

(58) **Field of Classification Search** D8/19,
D8/323, 325, 349, 354, 366, 373, 400; D12/223;
248/200, 205.1, 207, 213.1, 247, 248, 309.1,
248/558; D14/238

See application file for complete search history.

(56) **References Cited**

U.S. PATENT DOCUMENTS

5,174,539	A	*	12/1992	Leonard	248/558
D337,042	S	*	7/1993	Lin et al.	D8/349
D371,506	S	*	7/1996	Nofziger	D8/354
D422,483	S	*	4/2000	Shea	D8/354
D431,770	S	*	10/2000	Willet	D8/354
D431,999	S	*	10/2000	Haltof	D8/354
D434,304	S	*	11/2000	Willett	D8/354
D455,946	S	*	4/2002	Ausilio	D8/354
D458,531	S	*	6/2002	Ausilio	D8/354
D463,251	S	*	9/2002	Shea	D8/354
D463,970	S	*	10/2002	Ausilio	D8/354
D465,402	S	*	11/2002	Ausilio	D8/354

D465,403	S	*	11/2002	Ausilio	D8/354
D495,223	S	*	8/2004	Altman	D8/19
D500,667	S	*	1/2005	Murphy et al.	D8/354
D514,923	S	*	2/2006	Brown	D8/354
D533,770	S	*	12/2006	Schnackenberg	D8/354
D534,904	S	*	1/2007	Crawford	D14/238
D557,116	S	*	12/2007	Zakowski	D8/354
D559,658	S	*	1/2008	Wohlford et al.	D8/354

* cited by examiner

Primary Examiner—Holly H Baynham

Assistant Examiner—Cynthia M Chin

(74) *Attorney, Agent, or Firm*—Lowe Hauptman Ham & Berner, LLP

(57) **CLAIM**

The ornamental design for a mounting holder, as shown and described.

DESCRIPTION

FIG. 1 is a top view showing the invention;

FIG. 2 is a bottom view of FIG. 1;

FIG. 3 is a top perspective view of FIG. 1;

FIG. 4 is a side elevation view of FIG. 1;

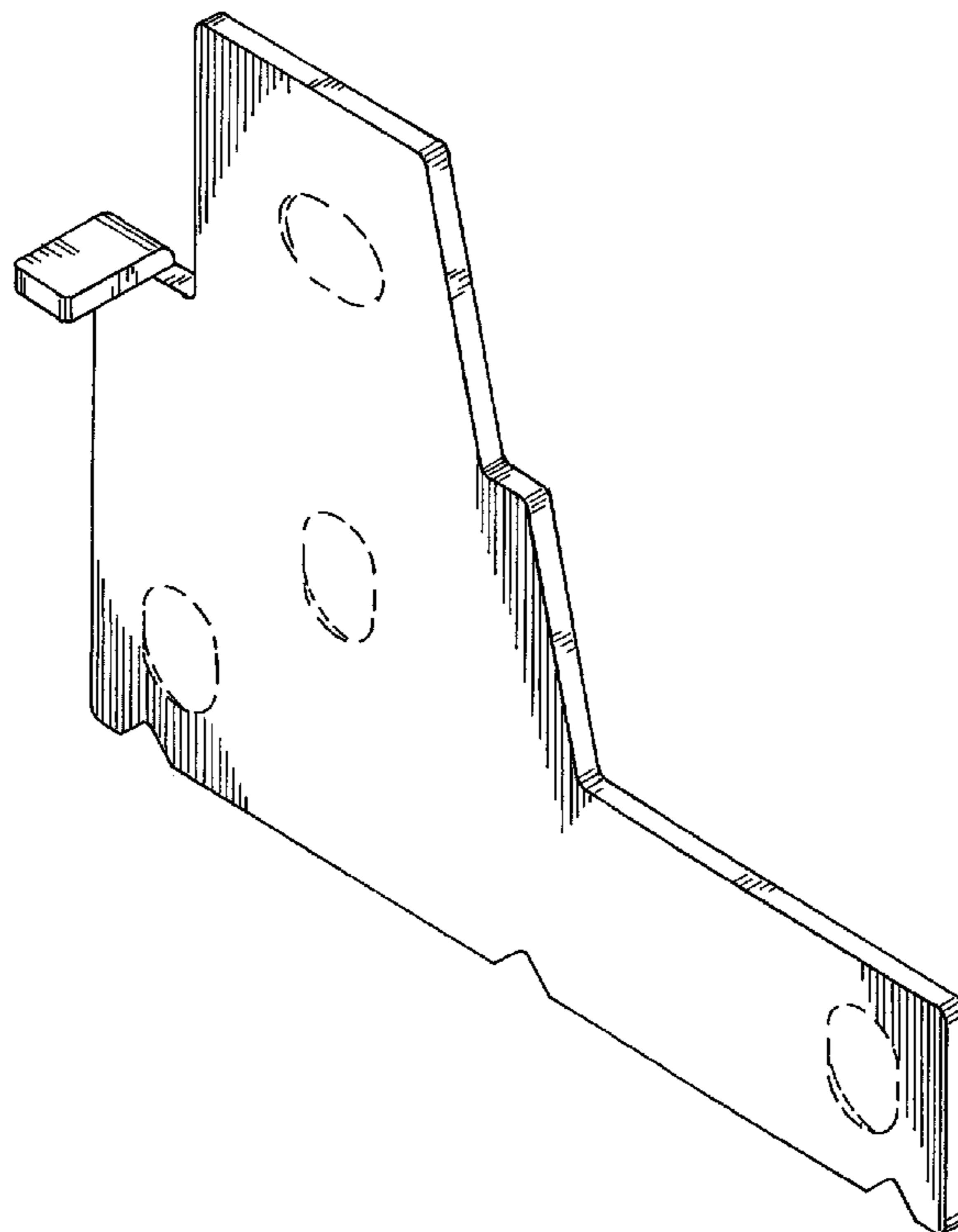
FIG. 5 is an opposite side elevation view of FIG. 4;

FIG. 6 is a side elevation view of FIG. 1; and,

FIG. 7 is an opposite side elevation view of FIG. 6.

Portions of the mounting holder shown in broken lines form no part of the claimed design.

1 Claim, 7 Drawing Sheets



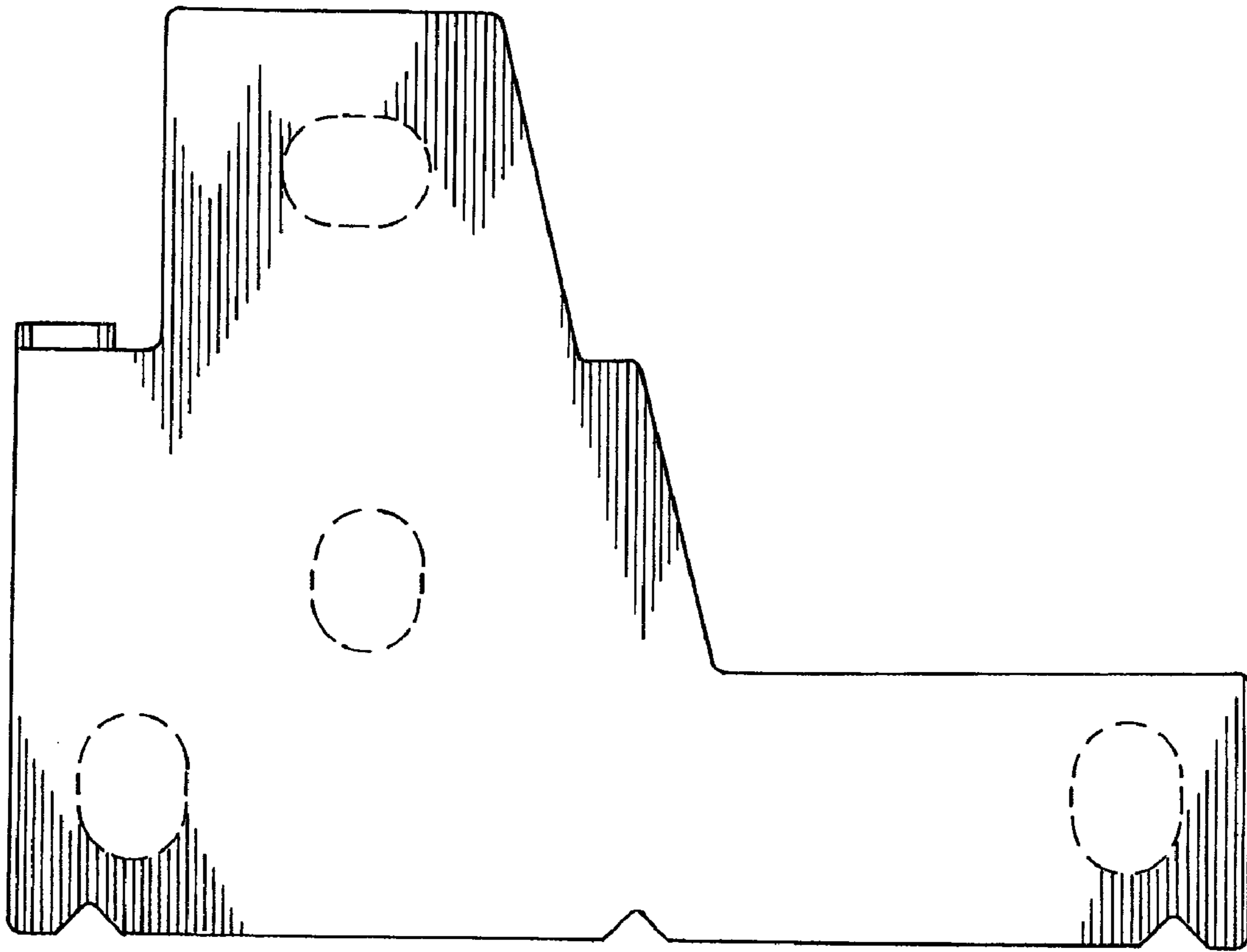


FIG. 1

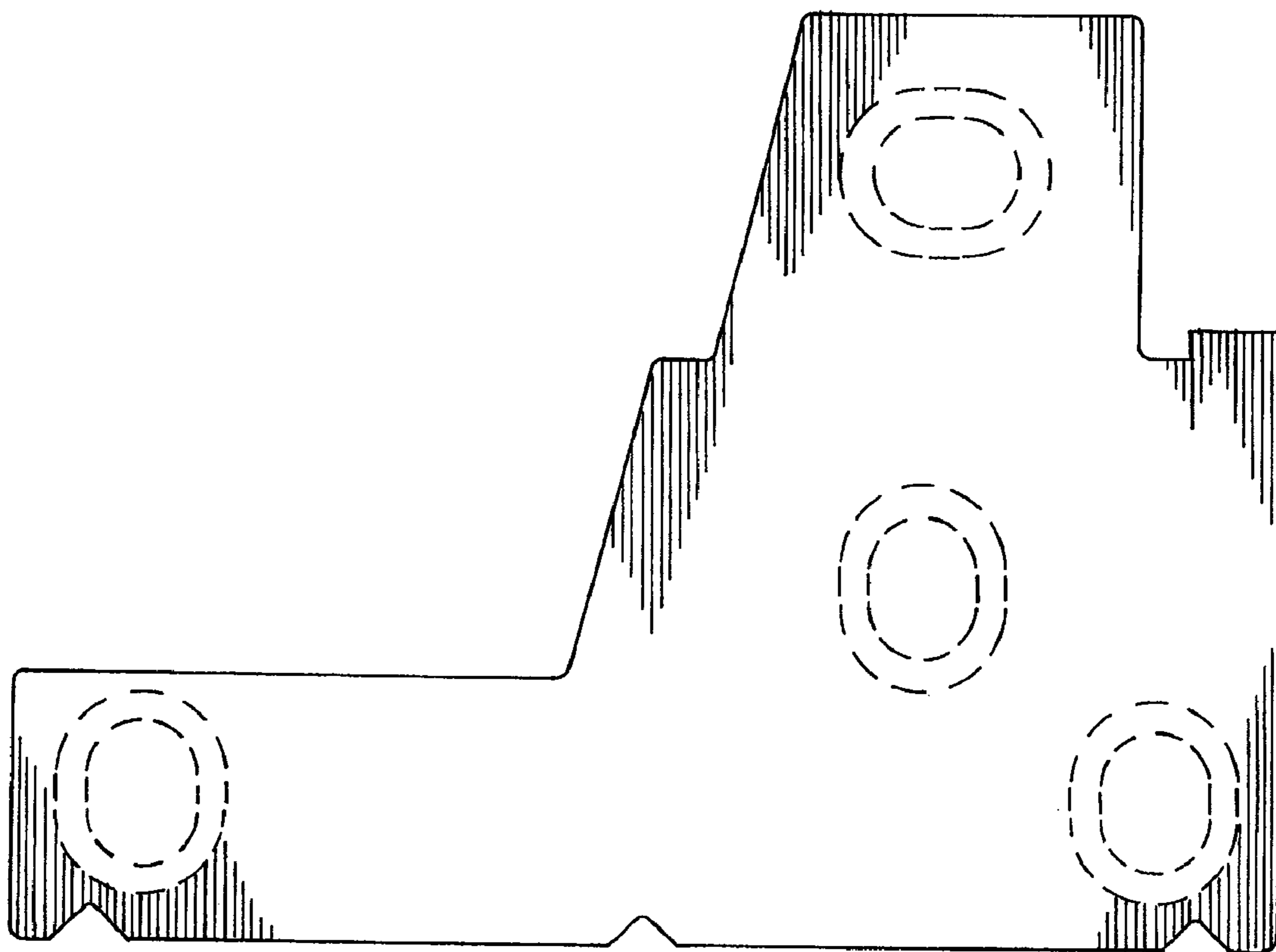


FIG. 2

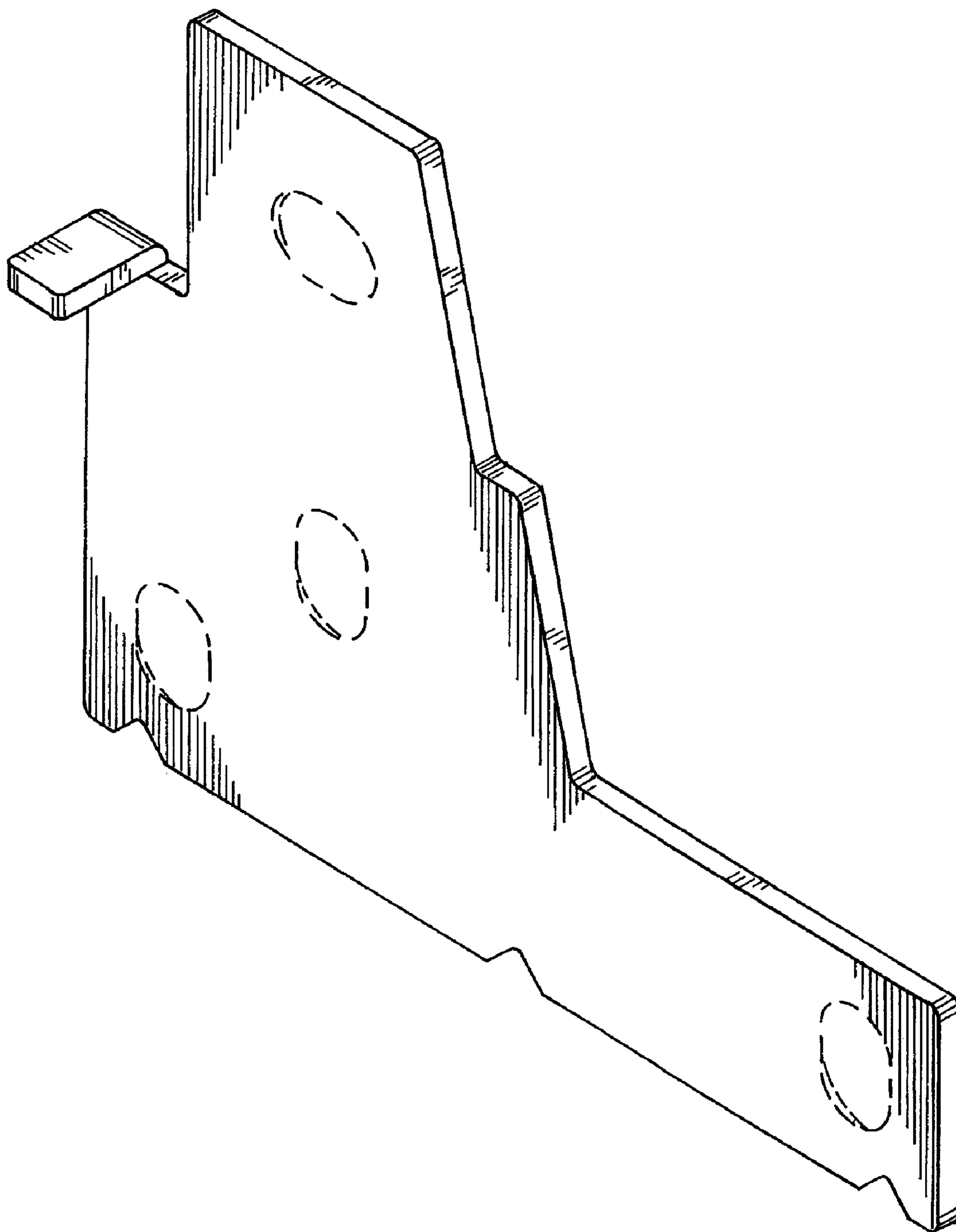


FIG. 3

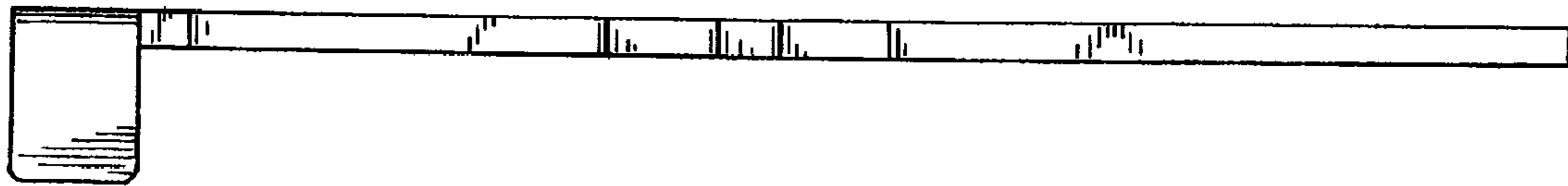


FIG. 4



FIG. 5

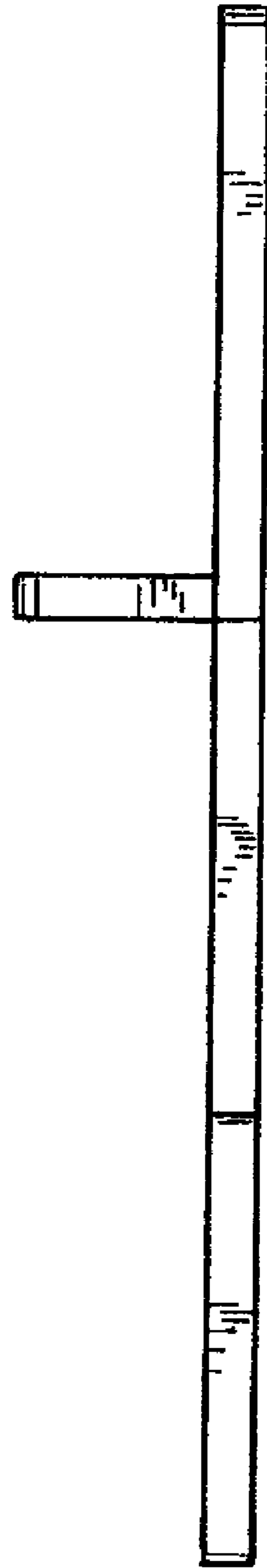


FIG. 6

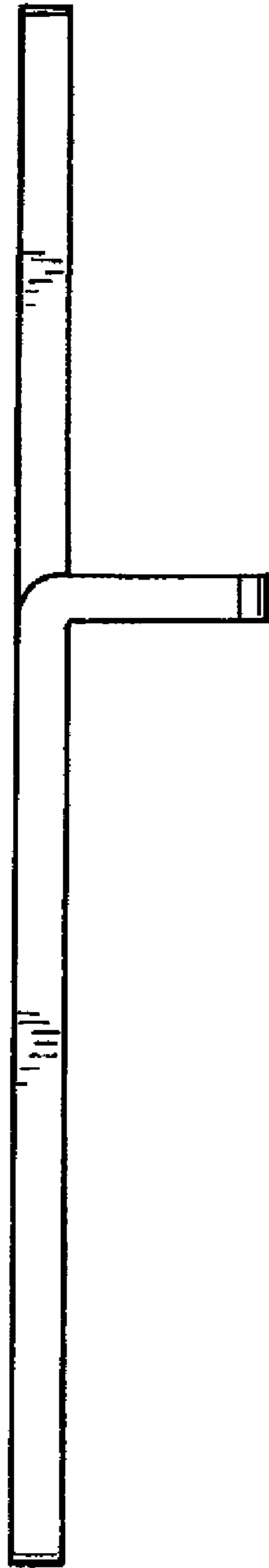


FIG. 7