



US00D598271S

(12) **United States Design Patent**
Burdett et al.

(10) **Patent No.:** **US D598,271 S**

(45) **Date of Patent:** **** Aug. 18, 2009**

(54) **COMBINED SECURITY DEVICE AND MEDIA STORAGE CONTAINER**

(75) Inventors: **Ronald K. Burdett**, Strasburg, OH (US); **Kevin Kirtz**, Massillon, OH (US)

(73) Assignee: **Nexpak Corporation**, Duluth, GA (US)

(**) Term: **14 Years**

(21) Appl. No.: **29/243,034**

(22) Filed: **Nov. 17, 2005**

(51) **LOC (9) Cl.** **08-07**

(52) **U.S. Cl.** **D8/339; D14/478; D14/483**

(58) **Field of Classification Search** D6/407, D6/632, 634; D8/330, 336, 339, 343, 346; D10/121, 132; D14/217, 299, 300, 315, D14/432, 440, 474, 483; 206/1.5, 307, 308.2, 206/387.11

See application file for complete search history.

(56) **References Cited**

U.S. PATENT DOCUMENTS

| | | | | |
|-----------|-----|---------|----------------|------------|
| 3,581,979 | A | 6/1971 | Fuchs | |
| D274,796 | S * | 7/1984 | Humble | D10/104 |
| 4,805,769 | A * | 2/1989 | Soltis et al. | 206/308.2 |
| 4,819,797 | A | 4/1989 | Holmgren | |
| 5,119,940 | A * | 6/1992 | Grindrod | 426/120 |
| 5,293,994 | A | 3/1994 | Antik | |
| 5,588,315 | A | 12/1996 | Holmgren | |
| 5,636,535 | A | 6/1997 | Shimada | |
| 5,732,822 | A | 3/1998 | Mitsuyama | |
| 5,802,890 | A | 9/1998 | Espada-Velasco | |
| 6,006,941 | A * | 12/1999 | Hitchings | 220/284 |
| D426,835 | S * | 6/2000 | Tanimura | D14/432 |
| 6,082,156 | A | 7/2000 | Bin | |
| 6,135,280 | A * | 10/2000 | Burdett et al. | 206/387.11 |
| D436,016 | S * | 1/2001 | Gould | D8/346 |

(Continued)

FOREIGN PATENT DOCUMENTS

WO WO 9315294 A1 * 8/1993

Primary Examiner—Stella M Reid

Assistant Examiner—Keli L Hill

(74) *Attorney, Agent, or Firm*—Zollinger & Burleson Ltd.

(57) **CLAIM**

The ornamental design for a combined security device and media storage container, as shown and described.

DESCRIPTION

FIG. 1 is a top perspective view of a first embodiment of a combined security device and media storage container, showing our new design;

FIG. 2 is a bottom perspective view thereof;

FIG. 3 is a front elevation view thereof;

FIG. 4 is a rear elevation view thereof, with the hinge assembly shown in broken lines;

FIG. 5 is a right side view thereof;

FIG. 6 is a left side view thereof;

FIG. 7 is a top plan view thereof;

FIG. 8 is a bottom plan view thereof;

FIG. 9 is a top perspective view of a second embodiment of a combined security device and media storage container, showing our new design;

FIG. 10 is a bottom perspective view thereof;

FIG. 11 is a front elevation view thereof;

FIG. 12 is a rear elevation view thereof, with the hinge assembly shown in broken lines;

FIG. 13 is a right side view thereof;

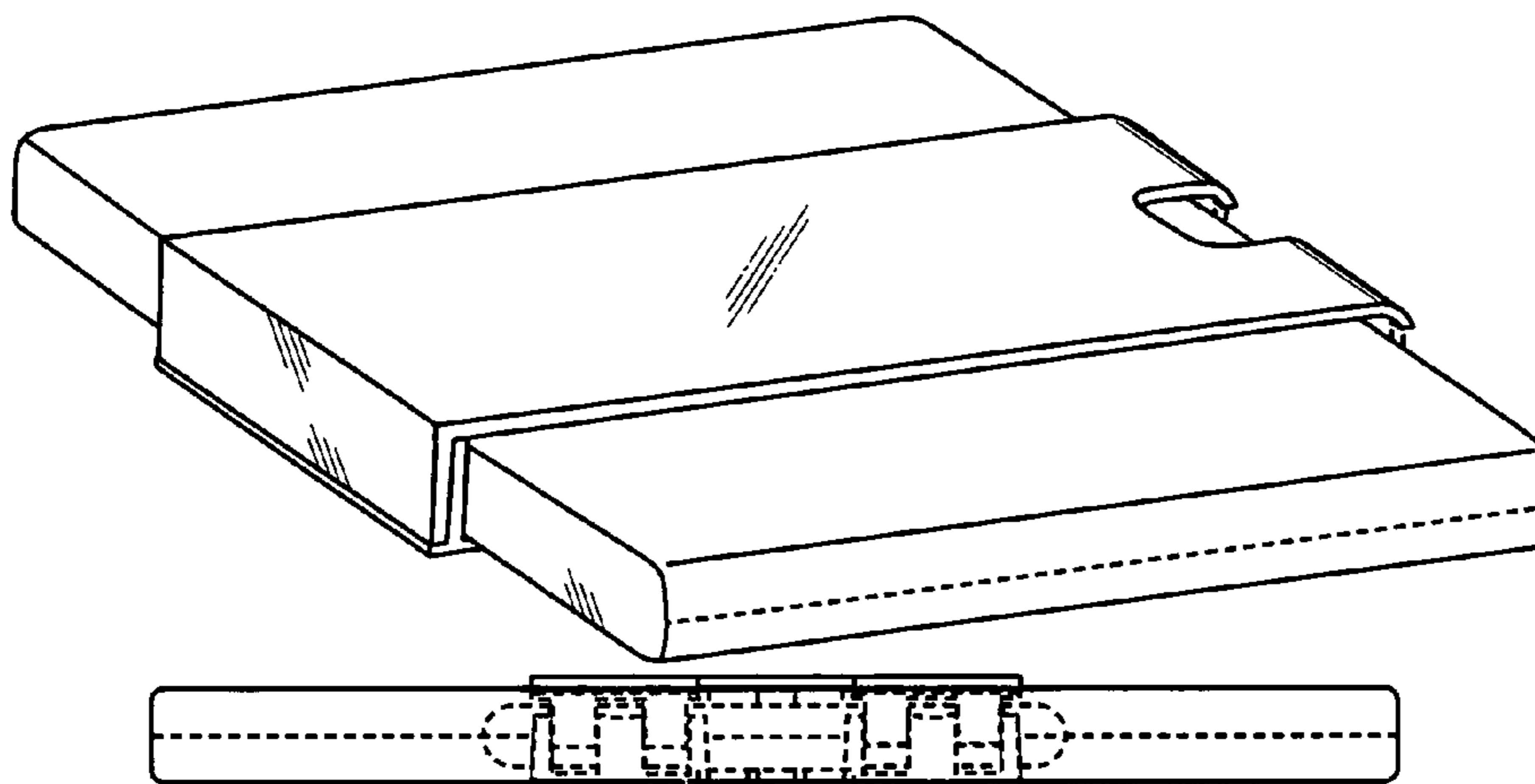
FIG. 14 is a left side view thereof;

FIG. 15 is a top plan view thereof; and,

FIG. 16 is a bottom plan view thereof.

The broken lines are included for the purpose of illustrating environmental structure and form no part of the claimed design.

1 Claim, 12 Drawing Sheets



US D598,271 S

Page 2

U.S. PATENT DOCUMENTS

| | | | | | |
|-------------------|---------|---------------------|-----------|--|--|
| 6,226,839 B1 | 5/2001 | Sayegh | | | |
| 6,311,531 B1 | 11/2001 | Sykes | | | |
| 6,412,633 B1 | 7/2002 | Costa | | | |
| 6,443,303 B1 | 9/2002 | Seki | | | |
| 6,467,318 B1 | 10/2002 | Gattiker | | | |
| D468,621 S * | 1/2003 | Farrar et al. | D8/339 | | |
| 6,516,639 B1 | 2/2003 | Margetts | | | |
| D477,983 S * | 8/2003 | Burdett et al. | D8/330 | | |
| 6,666,330 B2 | 12/2003 | Sedon | | | |
| 6,729,653 B1 * | 5/2004 | Greer | 281/45 | | |
| D492,321 S * | 6/2004 | Farrar et al. | D14/478 | | |
| 6,814,225 B2 | 11/2004 | Belden | | | |
| 6,832,498 B2 | 12/2004 | Belden | | | |
| 6,926,164 B1 | 8/2005 | Broadhead | | | |
| 7,028,836 B2 | 4/2006 | Hsiao | | | |
| D522,791 S * | 6/2006 | Ho | D6/634 | | |
| 7,100,402 B2 | 9/2006 | Holmgren | | | |
| 7,194,880 B2 * | 3/2007 | Necchi | 70/57.1 | | |
| 2002/0194888 A1 * | 12/2002 | Mitsuyama | 70/57.1 | | |
| 2003/0051517 A1 * | 3/2003 | Aarts | 70/57.1 | | |
| 2004/0187530 A1 | 9/2004 | Lax | | | |
| 2005/0172682 A1 | 8/2005 | Holmgren | | | |
| 2006/0124481 A1 * | 6/2006 | Burdett et al. | 206/308.2 | | |

* cited by examiner

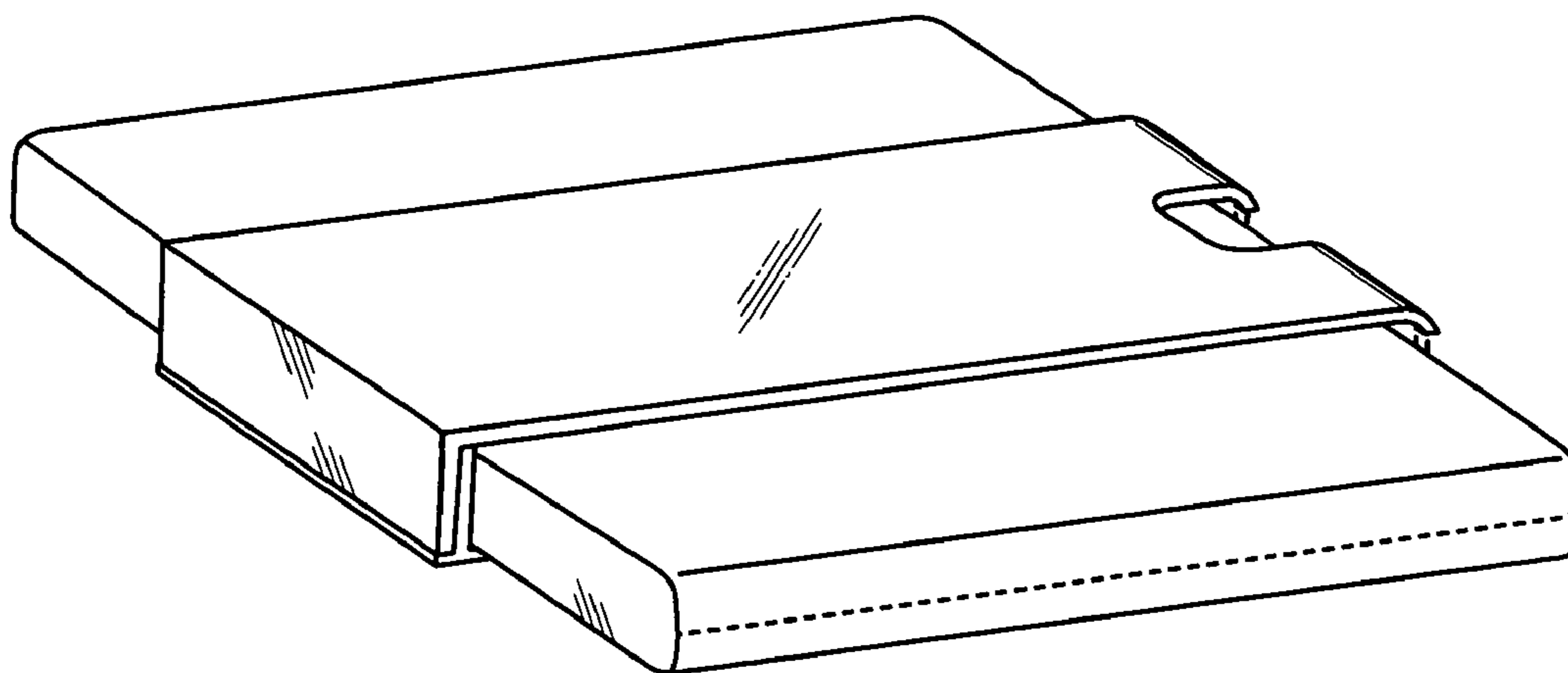


Fig. 1

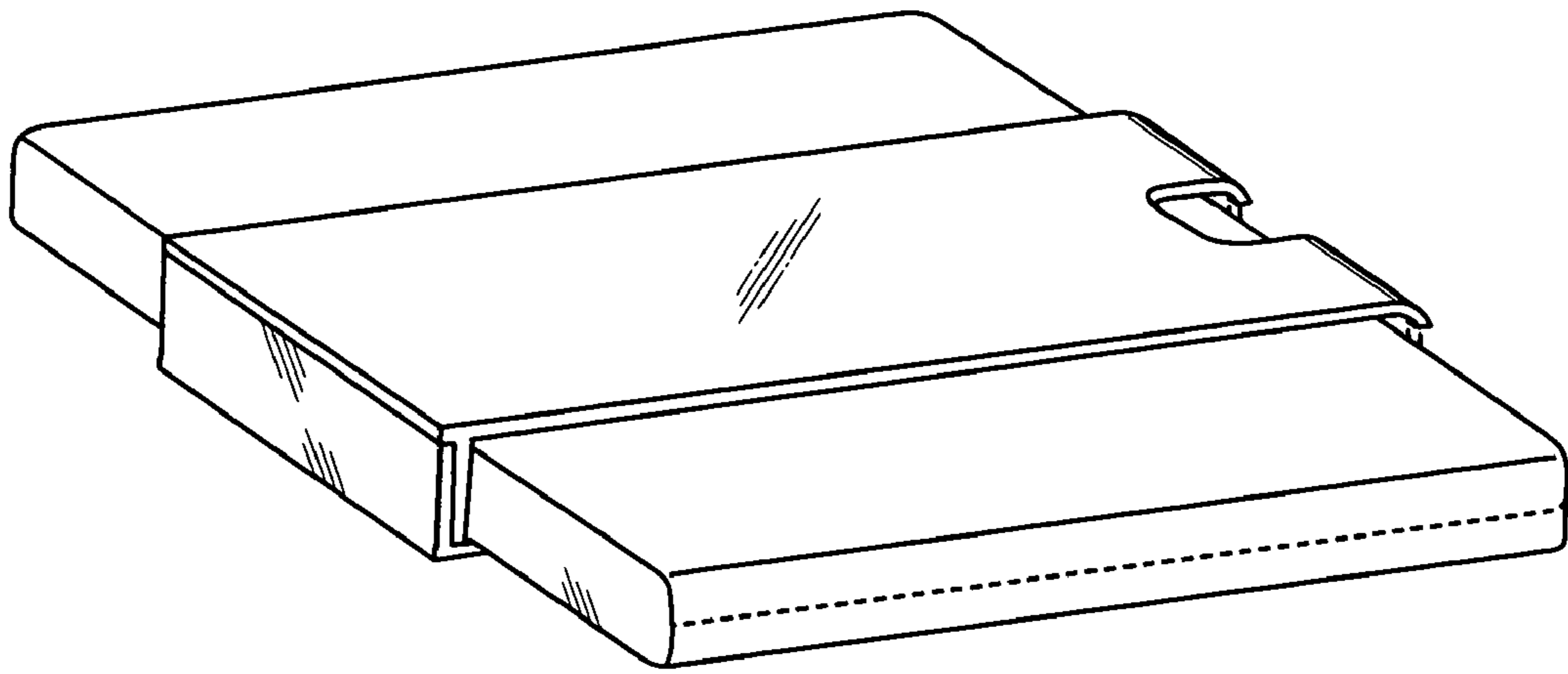


Fig. 2



Fig. 3

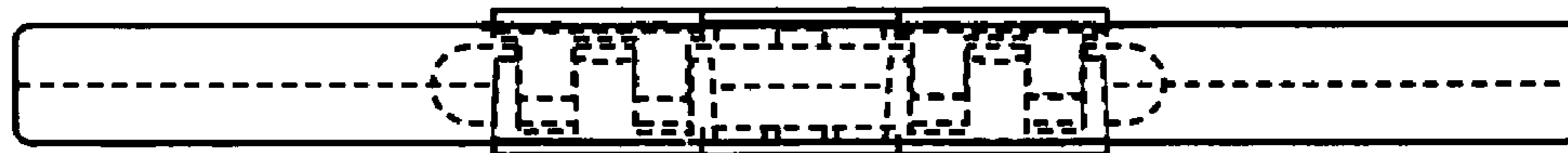


Fig. 4

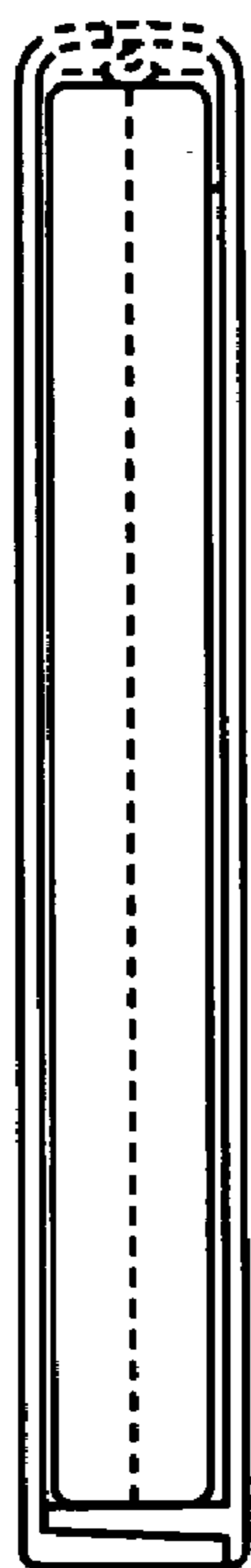


Fig. 5

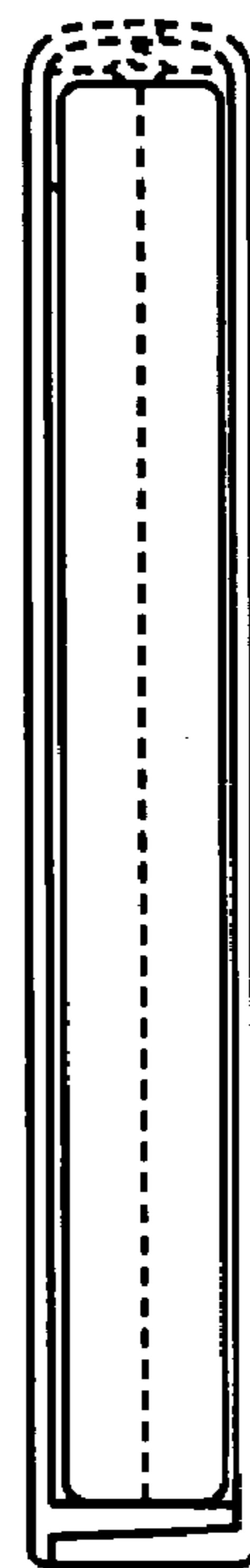


Fig. 6

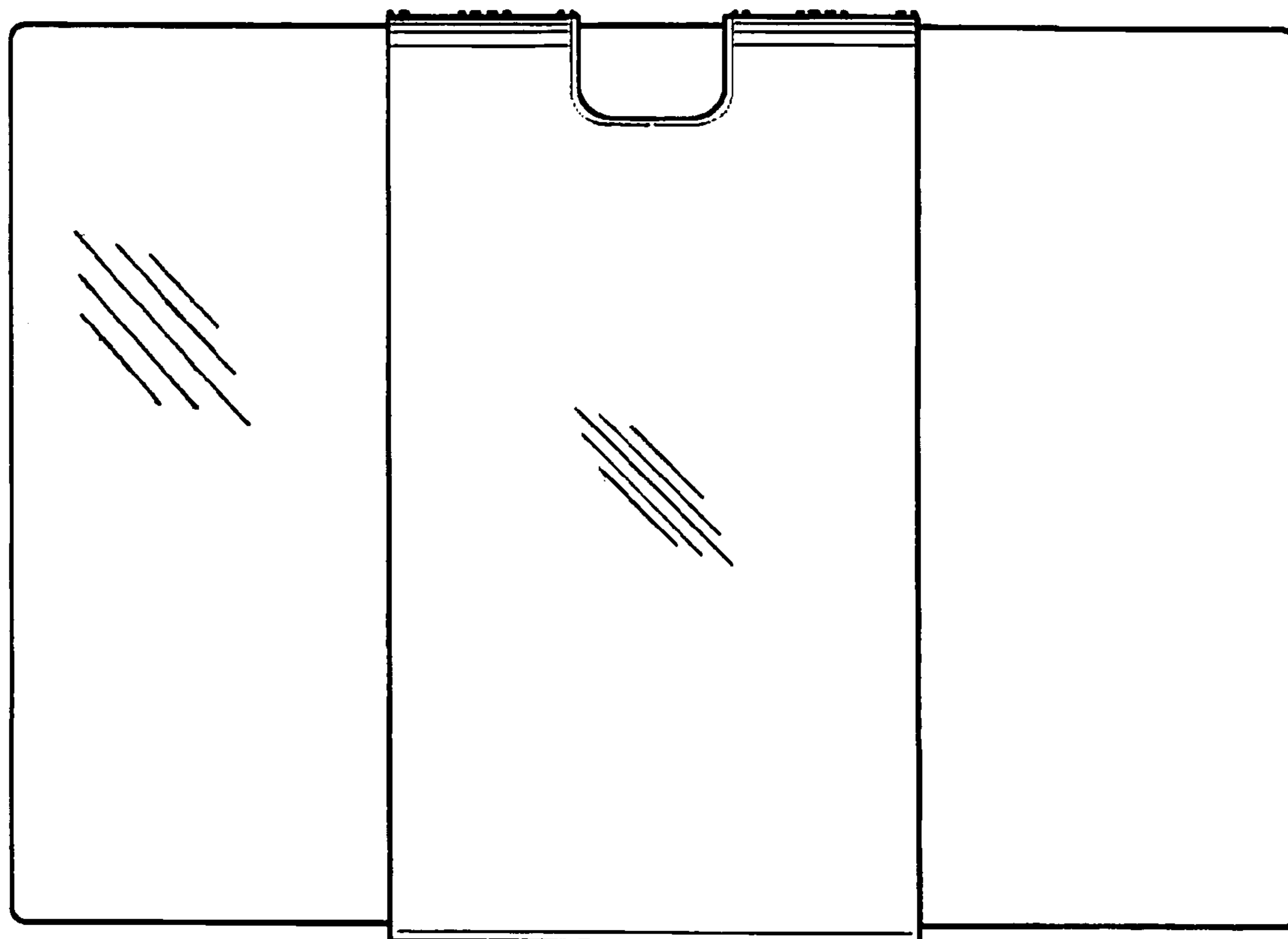


Fig. 7

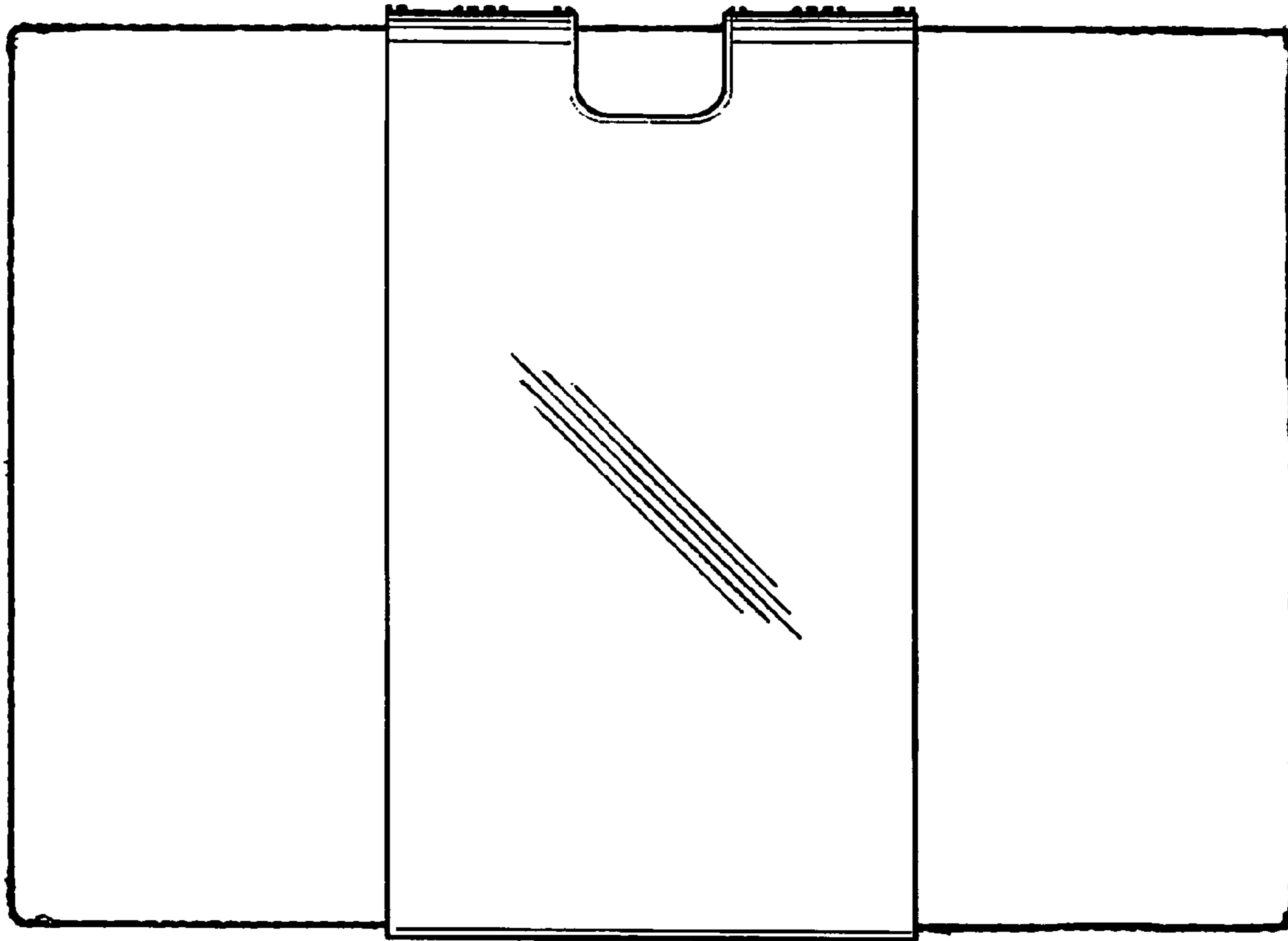


Fig. 8

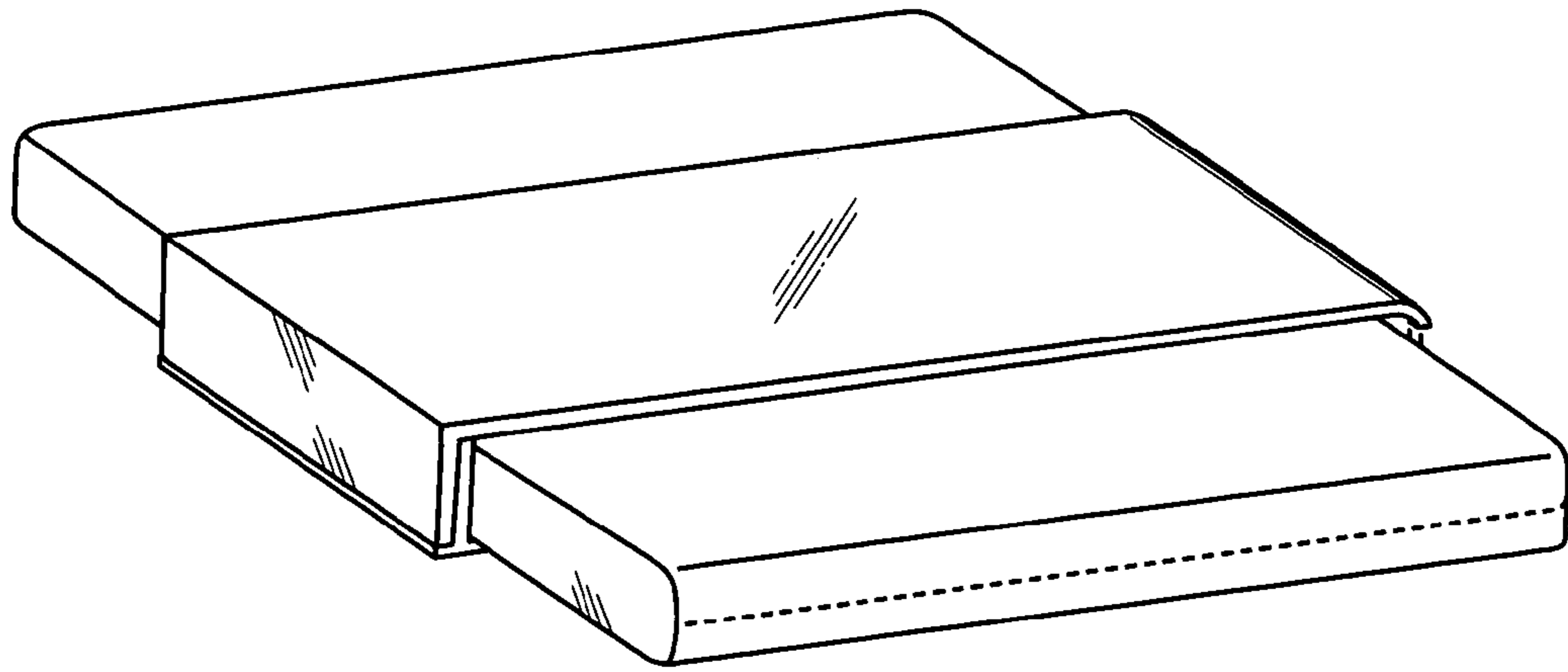


Fig. 9

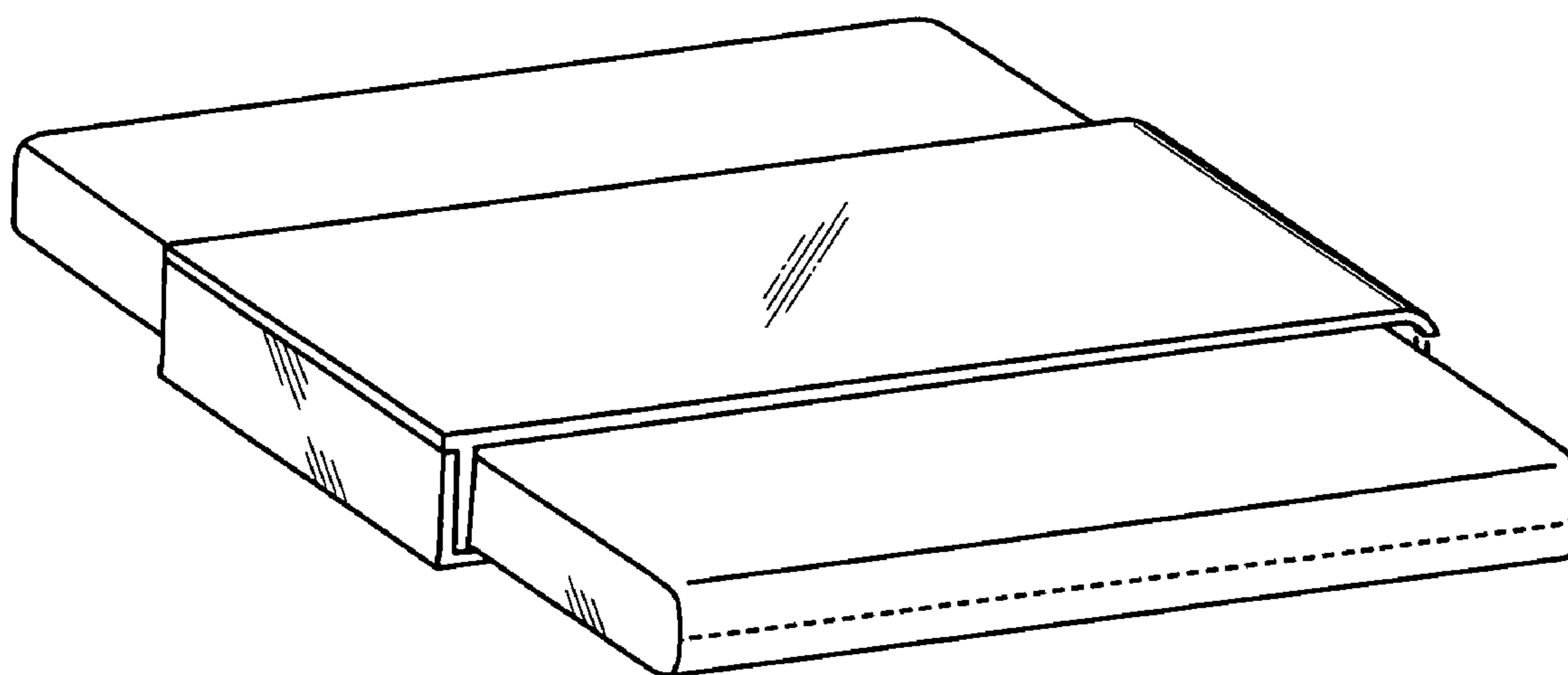


Fig. 10



Fig. 11

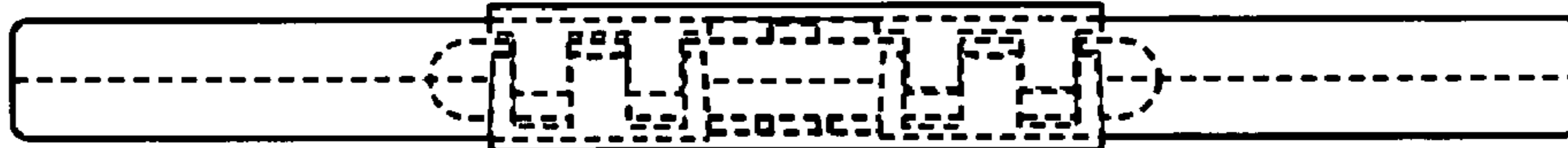


Fig. 12

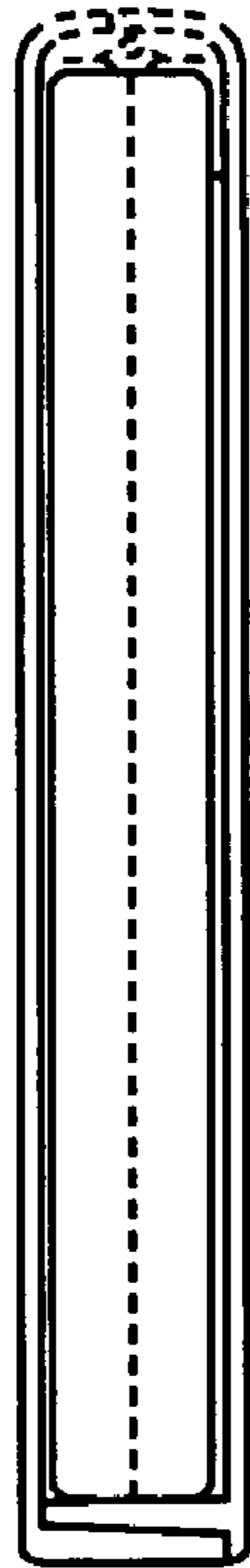


Fig. 13

Fig. 14

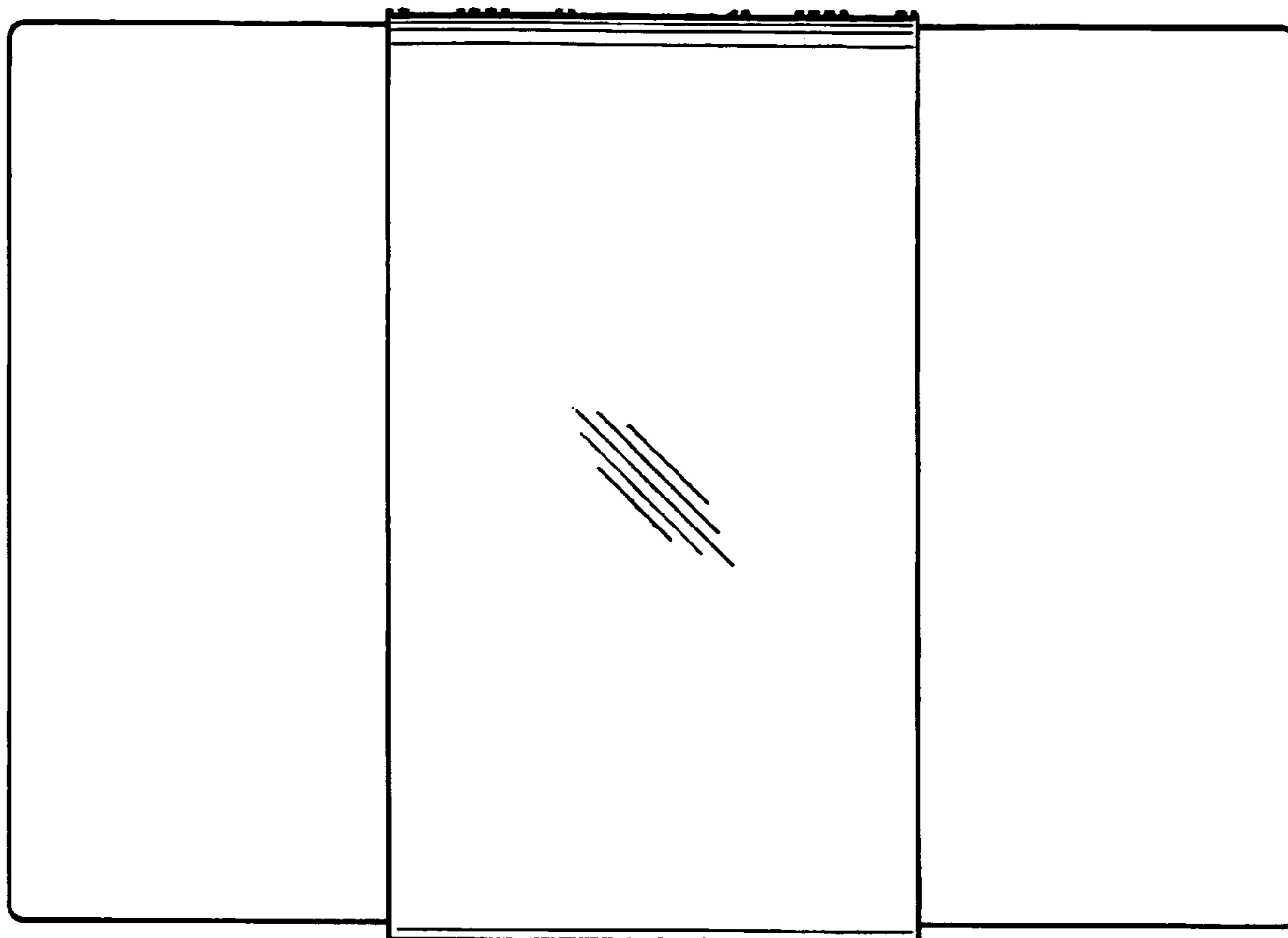


Fig. 15

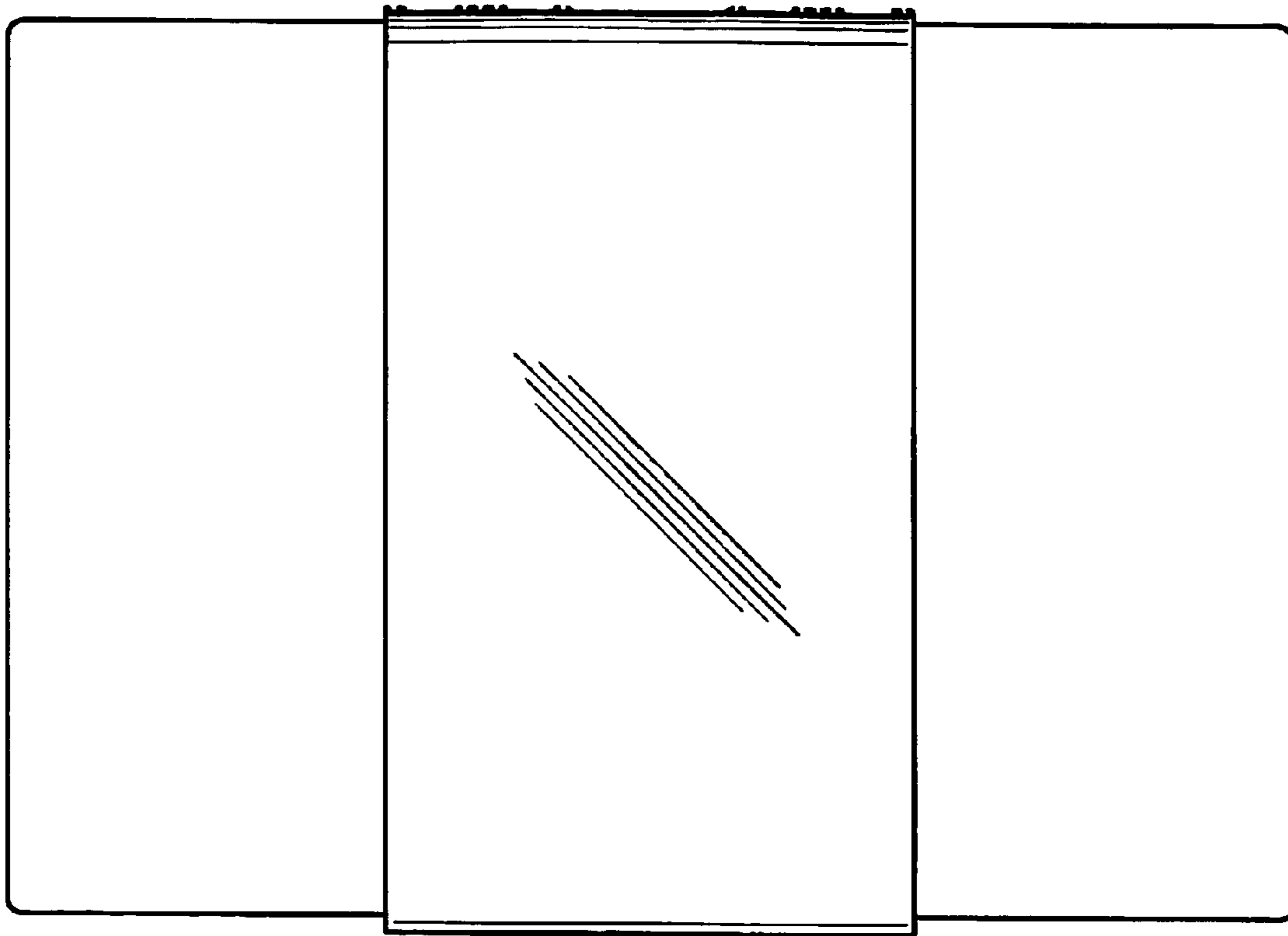


Fig. 16