

US00D598266S

(12) **United States Design Patent**  
**Rubin et al.**

(10) **Patent No.:** **US D598,266 S**  
(45) **Date of Patent:** **\*\* Aug. 18, 2009**

(54) **PORTABLE TOOL SET**

(75) Inventors: **Bennett S. Rubin**, Pepper Pike, OH (US); **Richard C. Adamany**, Chagrin Falls, OH (US)

(73) Assignee: **Crestwood Partners, LLC**, Mayfield Village, OH (US)

(\*\*) Term: **14 Years**

(21) Appl. No.: **29/326,507**

(22) Filed: **Oct. 20, 2008**

**Related U.S. Application Data**

(63) Continuation-in-part of application No. 29/317,318, filed on Apr. 28, 2008.

(51) **LOC (9) Cl.** ..... **08-05**

(52) **U.S. Cl.** ..... **D8/105**

(58) **Field of Classification Search** ..... D8/99,  
D8/58, 55, 52, 356, 107, 105, 21, 71, 14,  
D8/29; D19/65; 81/440, 427.5, 177.4, 490;  
7/160, 138, 128, 118; 30/298.4, 162, 161,  
30/155; 206/377, 375, 374

See application file for complete search history.

(56) **References Cited**

**U.S. PATENT DOCUMENTS**

5,491,856 A 2/1996 Legg

(Continued)

*Primary Examiner*—Cathron C Brooks

*Assistant Examiner*—Austin Murphy

(74) *Attorney, Agent, or Firm*—Smith, Gambrell & Russell, LLP

(57) **CLAIM**

The ornamental design for a portable tool set, as shown and described.

**DESCRIPTION**

FIG. 1 is a front, perspective view of a portable tool set of the present invention;

FIG. 2 is a front elevational view thereof;

FIG. 3 is a rear elevational view thereof;

FIG. 4 is a left side elevational view thereof;

FIG. 5 is a right side elevational view thereof;

FIG. 6 is a top plan view thereof;

FIG. 7 is a bottom plan view thereof;

FIG. 8 is a front, perspective view of a portable tool set as shown in FIG. 1 showing a right-most tool extended upward;

FIG. 9 is a front, perspective view of a portable tool set as shown in FIG. 1 showing a third tool from the right extended upward;

FIG. 10 is a front, perspective view of a portable tool set as shown in FIG. 1 showing a second tool from the right extended upward;

FIG. 11 is a front, perspective view of a portable tool set as shown in FIG. 1 showing a left-most tool extended upward;

FIG. 12 is a front, perspective view of a portable tool set as shown in FIG. 1 showing a third tool from the left extended upward;

FIG. 13 is a front, perspective view of a portable tool set as shown in FIG. 1 showing a second tool from the left extended upward;

FIG. 14 is a front, perspective view of a portable tool set as shown in FIG. 1 showing a fourth tool from the left extended upward;

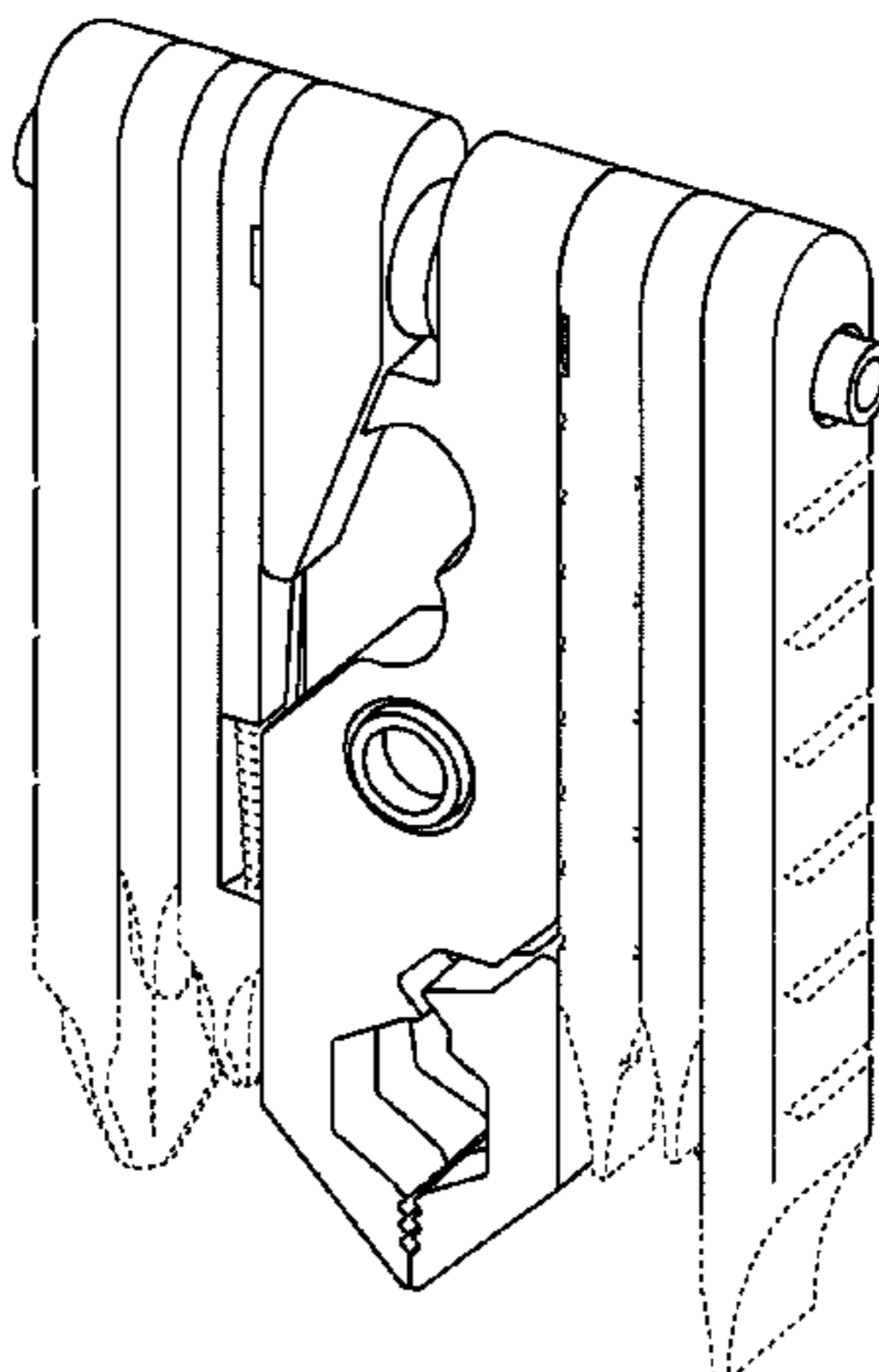
FIG. 15 is a front, perspective of a portable tool set as shown in FIG. 1 showing four tools from the left extended upward and four tools from the right extended upward such that the center-most tool extends downward;

FIG. 16 is a front, perspective of a portable tool set as shown in FIG. 1 showing four tools from the left extended and four tools from the right extended and the center-most tool open about a pivot point; and,

FIG. 17 is a rear elevational view of a portable tool set as shown in FIG. 3 showing the second tool from the right extended upward.

The broken lines shown in the drawings form no part of the claimed design.

**1 Claim, 15 Drawing Sheets**



# US D598,266 S

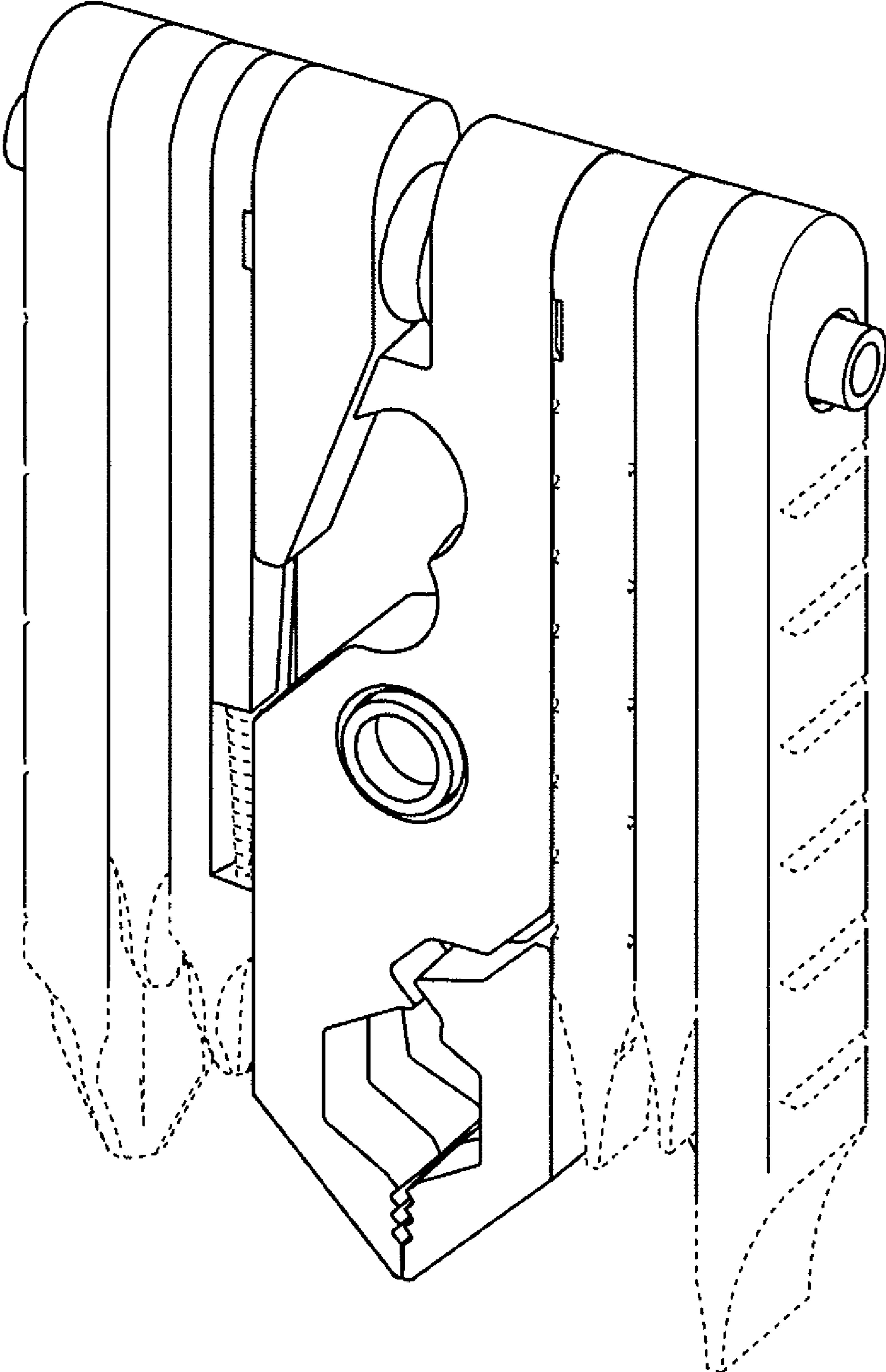
Page 2

---

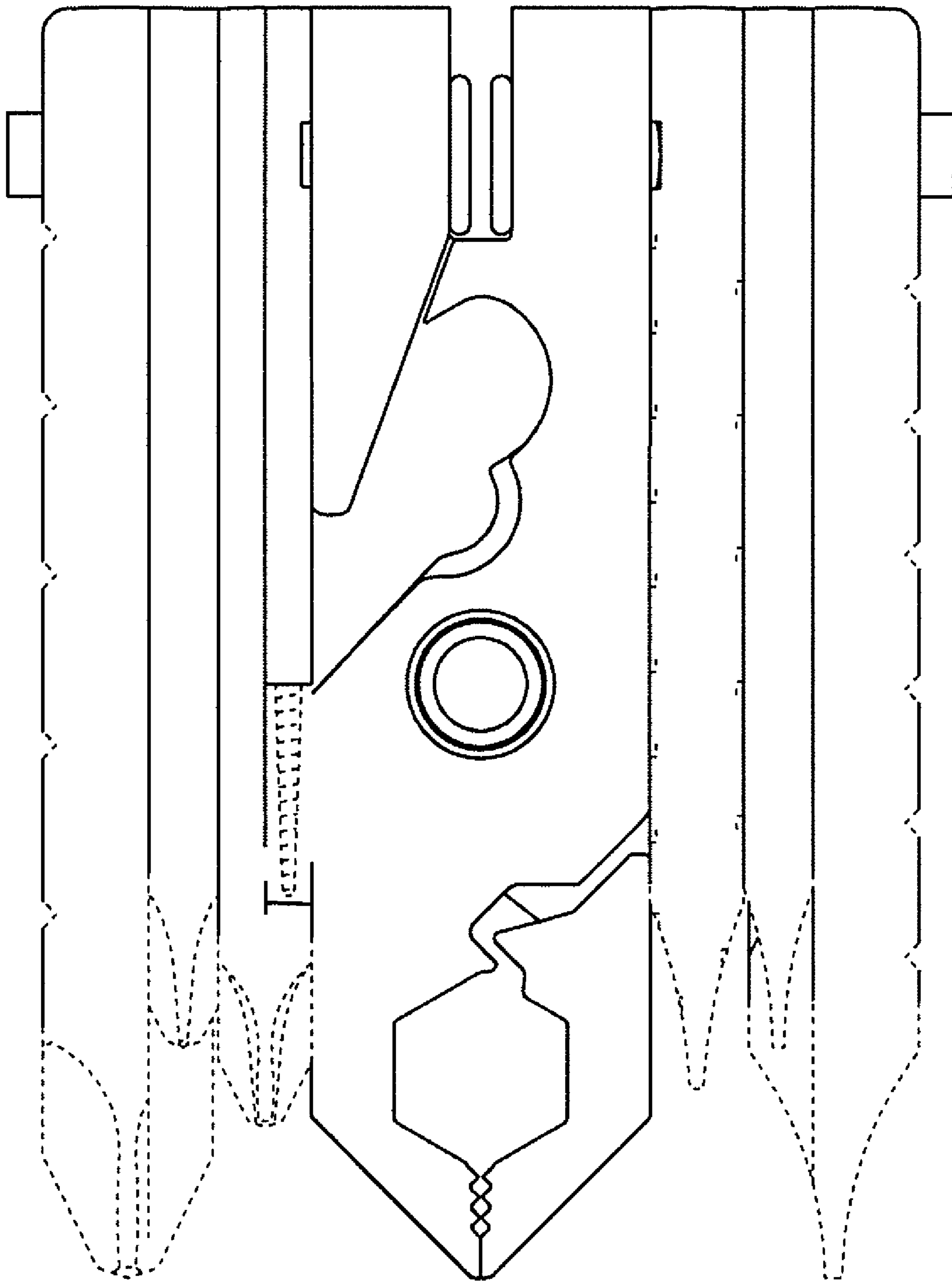
## U.S. PATENT DOCUMENTS

D407,616 S *	4/1999	Seber .....	D8/55	D486,715 S *	2/2004	Ping .....	D8/105
5,996,451 A *	12/1999	Seber et al. ....	81/427.5	D498,125 S *	11/2004	Ping .....	D8/55
D434,624 S *	12/2000	Padden .....	D8/42	D508,640 S *	8/2005	Ping .....	D8/55
D454,039 S *	3/2002	Allen .....	D8/55	D517,390 S *	3/2006	Cheng et al. ....	D8/105
D460,332 S *	7/2002	Seber .....	D8/55	7,140,280 B2 *	11/2006	Hawkins et al. ....	81/440
6,487,941 B1 *	12/2002	Ping .....	81/300	D544,329 S *	6/2007	Tansbo et al. ....	D8/105
6,578,221 B2 *	6/2003	Ping .....	7/128	D549,542 S *	8/2007	Chiang .....	D8/105
D478,258 S *	8/2003	Yeh .....	D8/55				

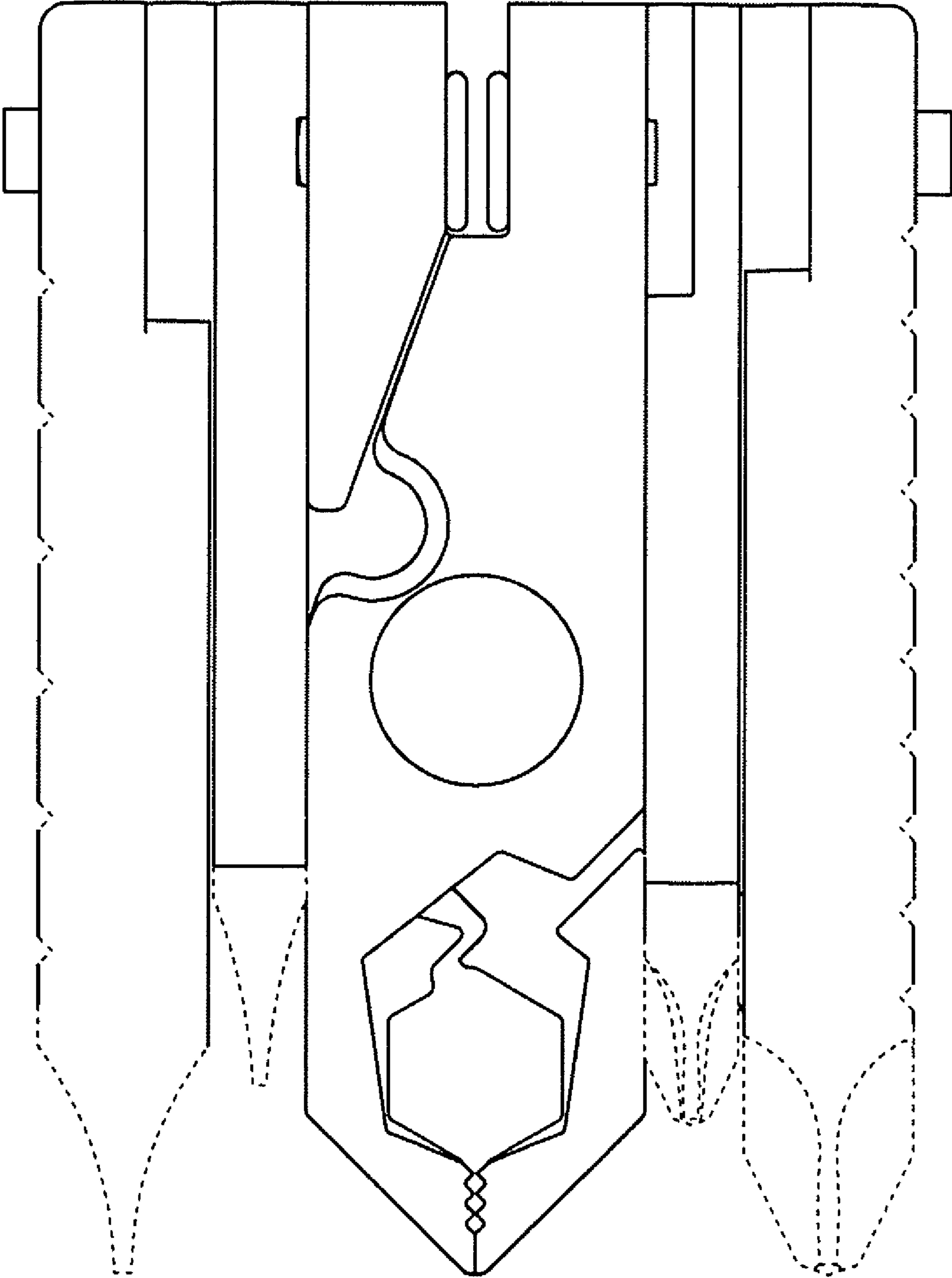
\* cited by examiner



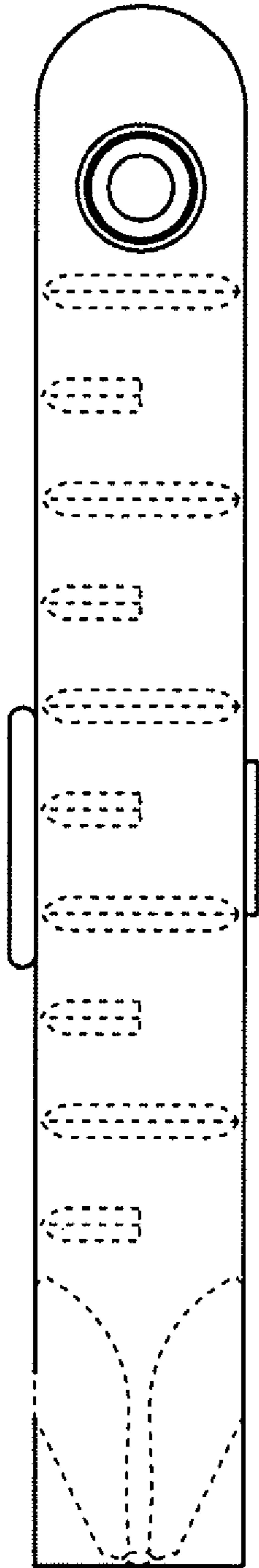
**Fig. 1**



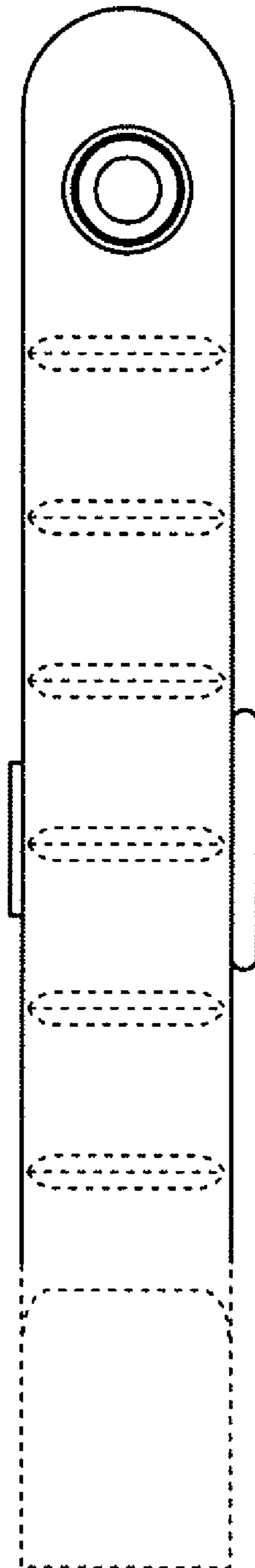
**Fig. 2**



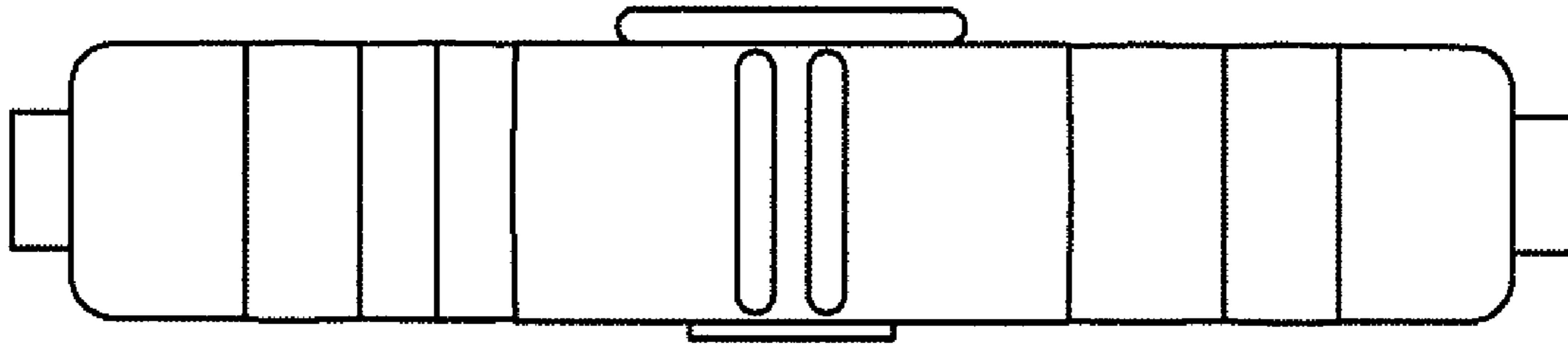
**Fig. 3**



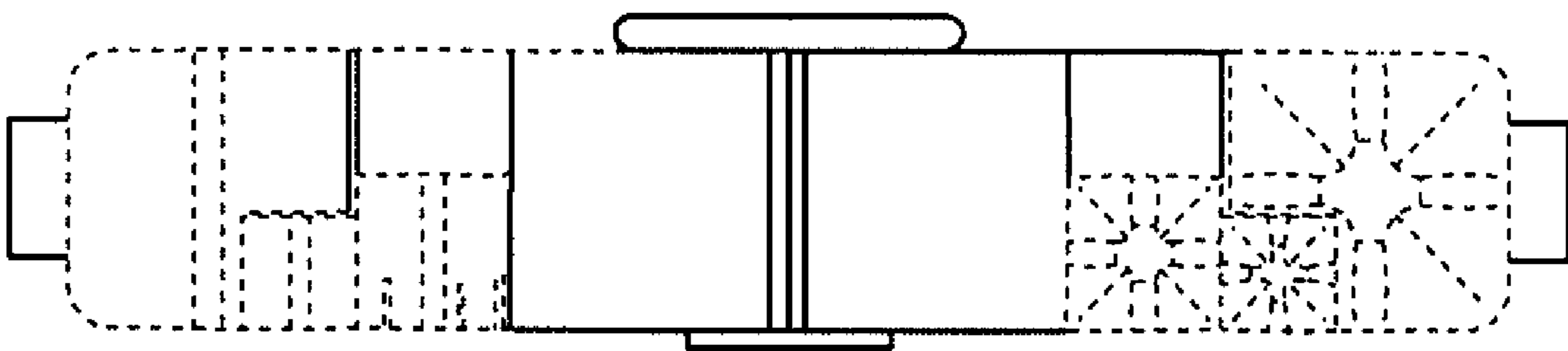
**Fig. 4**



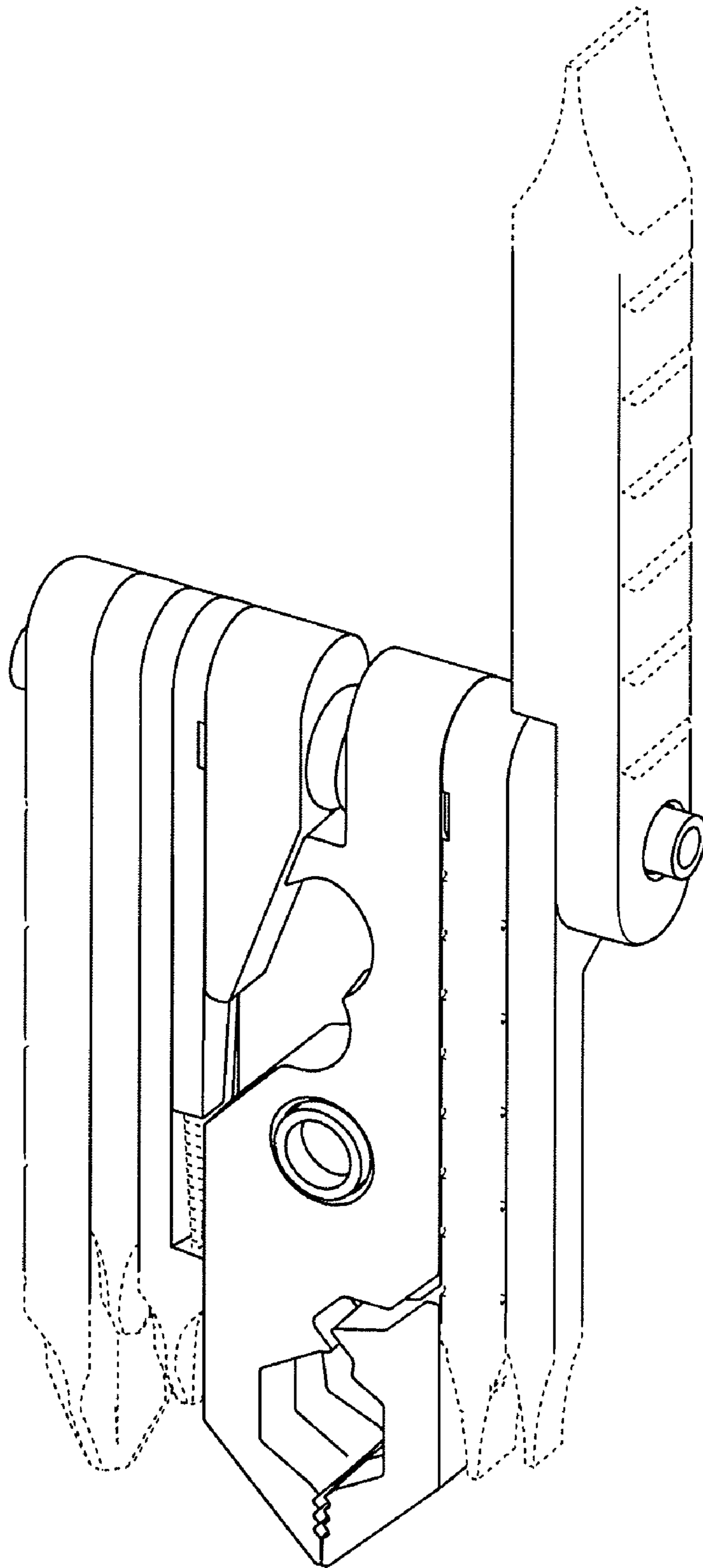
**Fig. 5**



**Fig. 6**

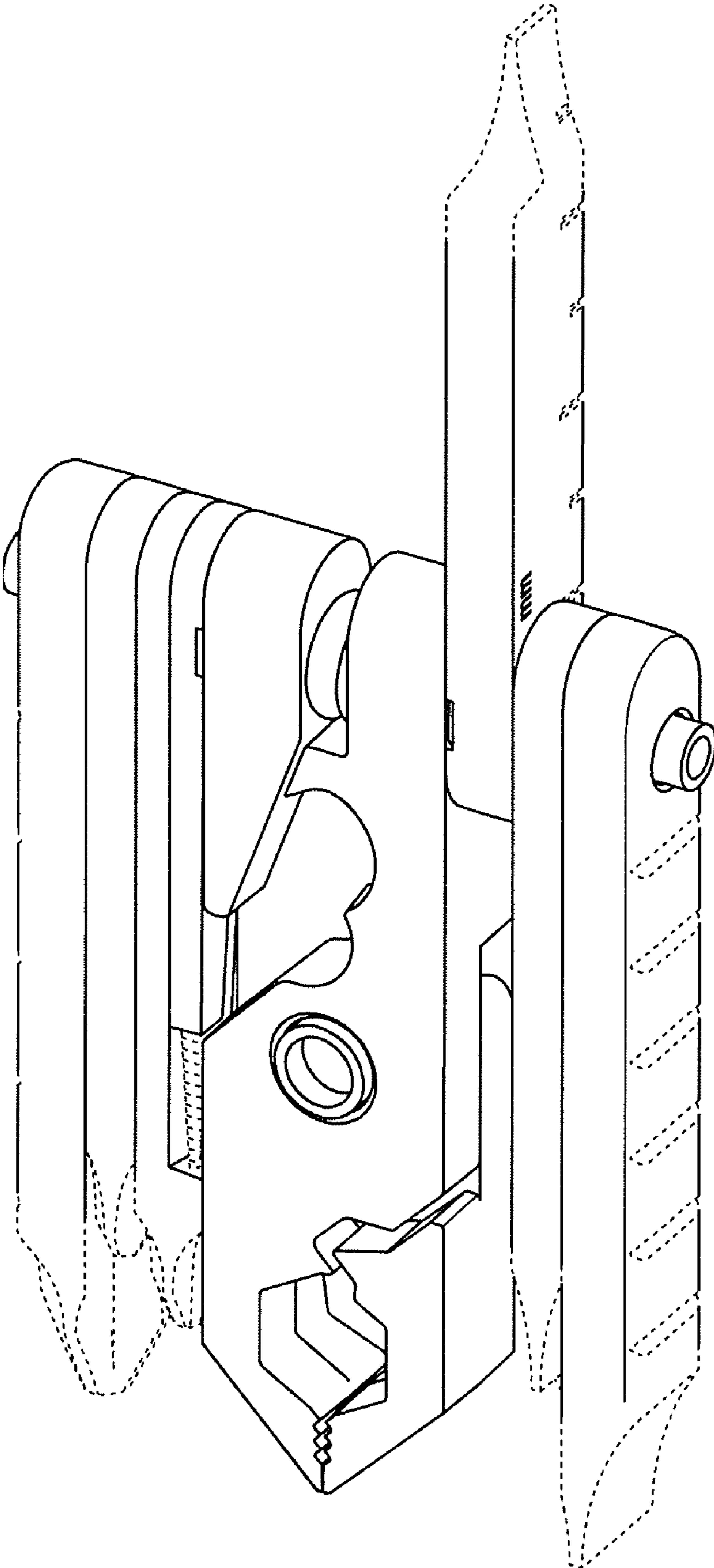


**Fig. 7**

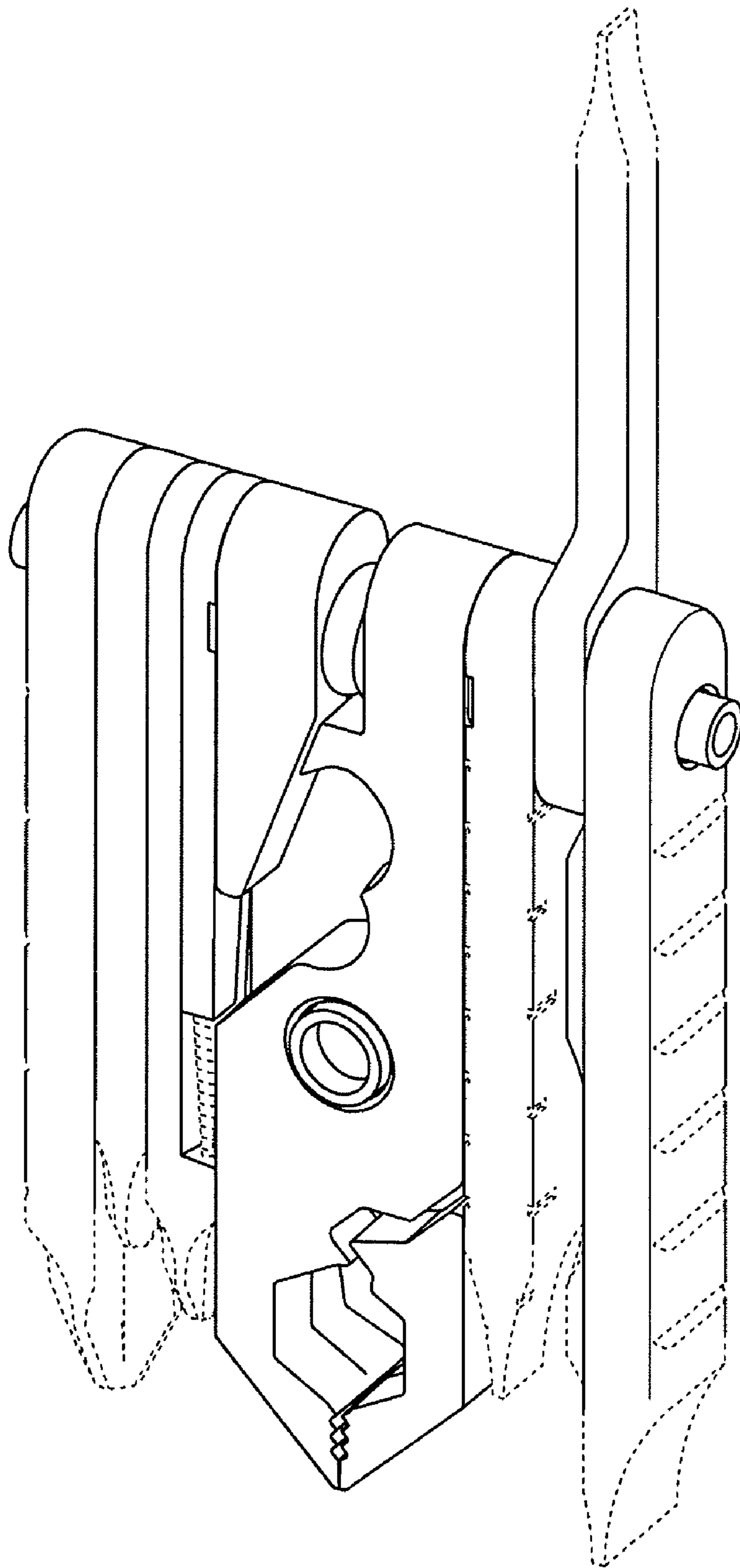


**Fig. 8**

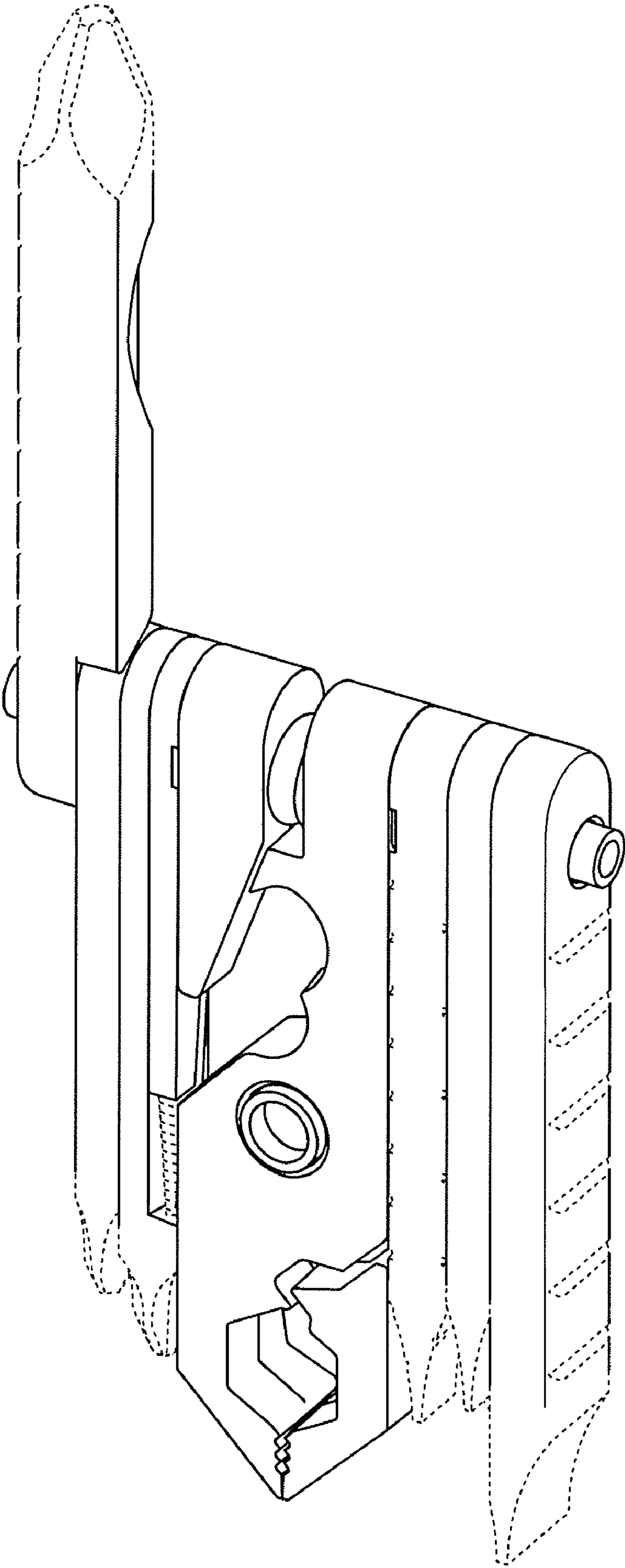




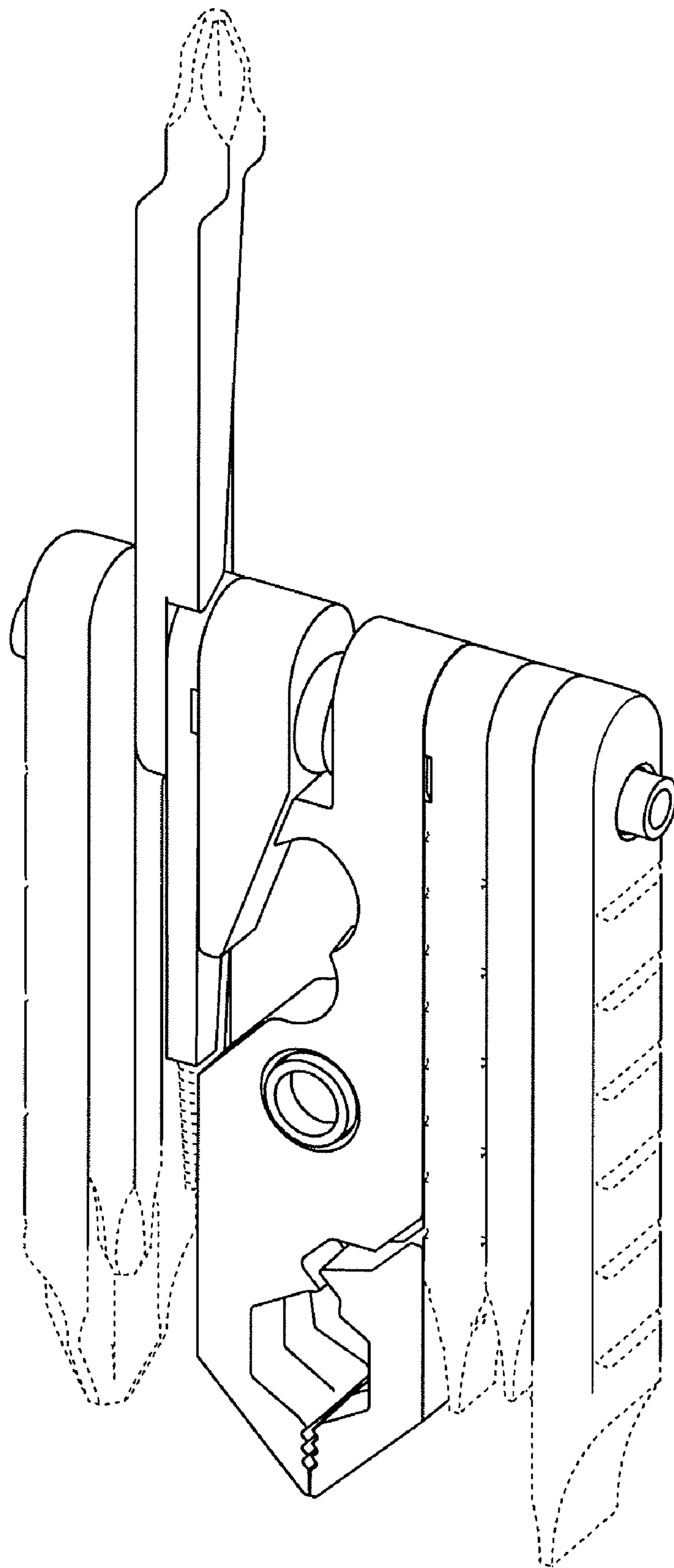
**Fig. 9**



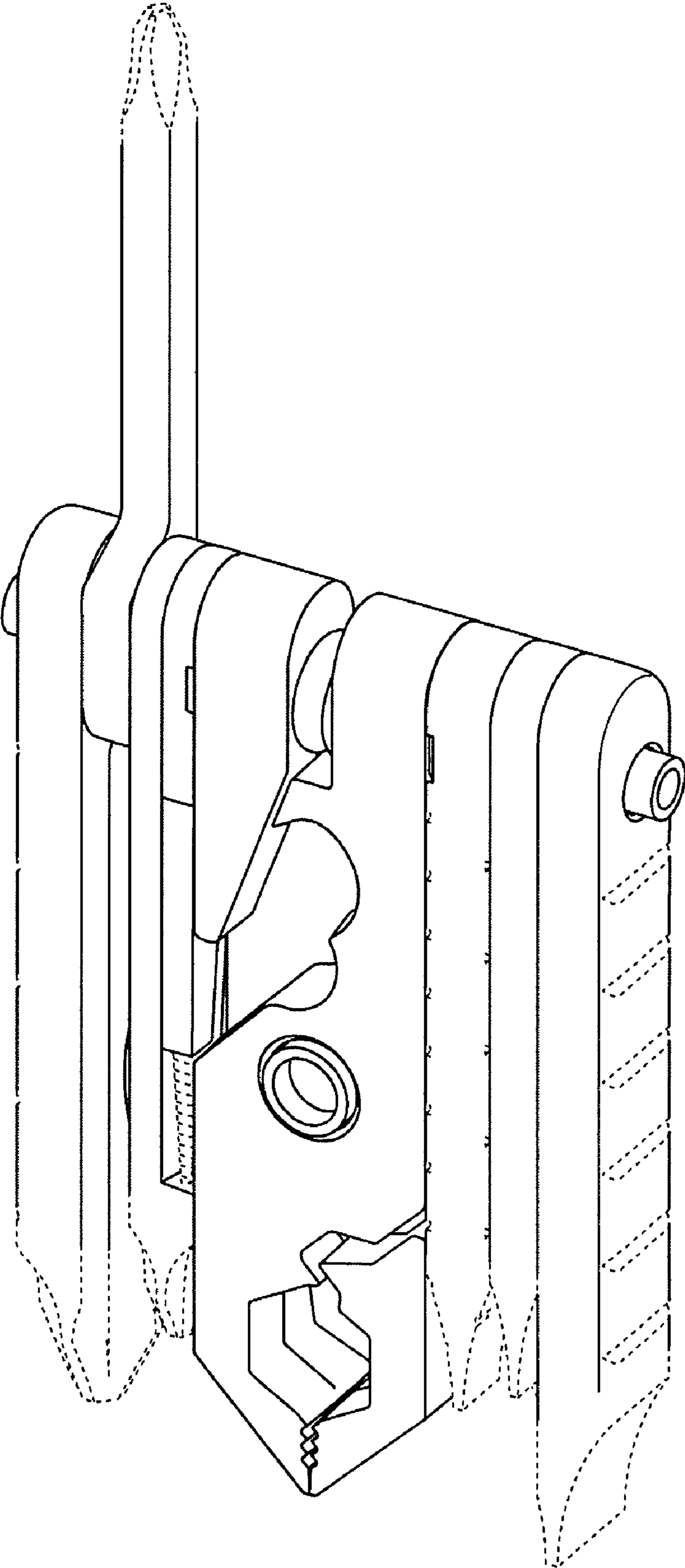
**Fig. 10**



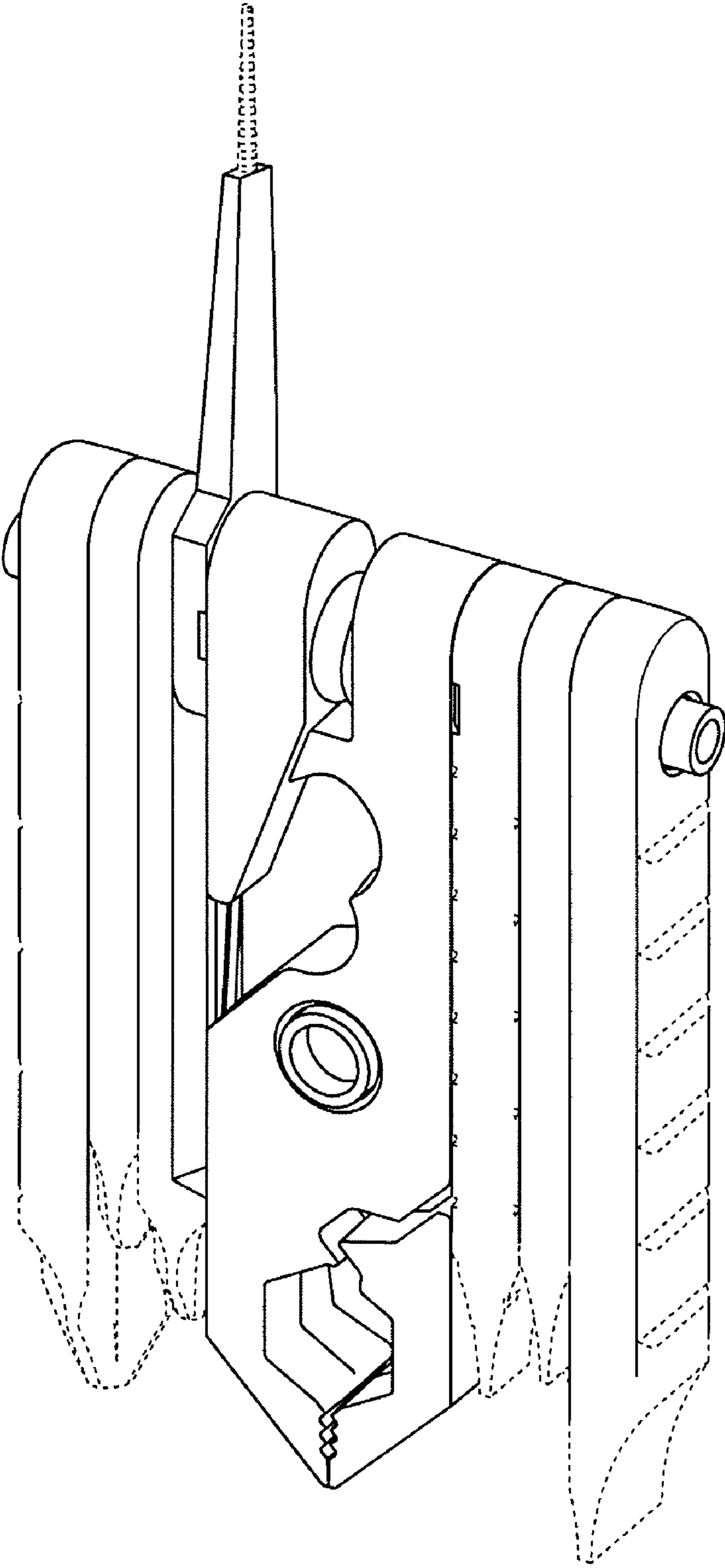
**Fig. 11**



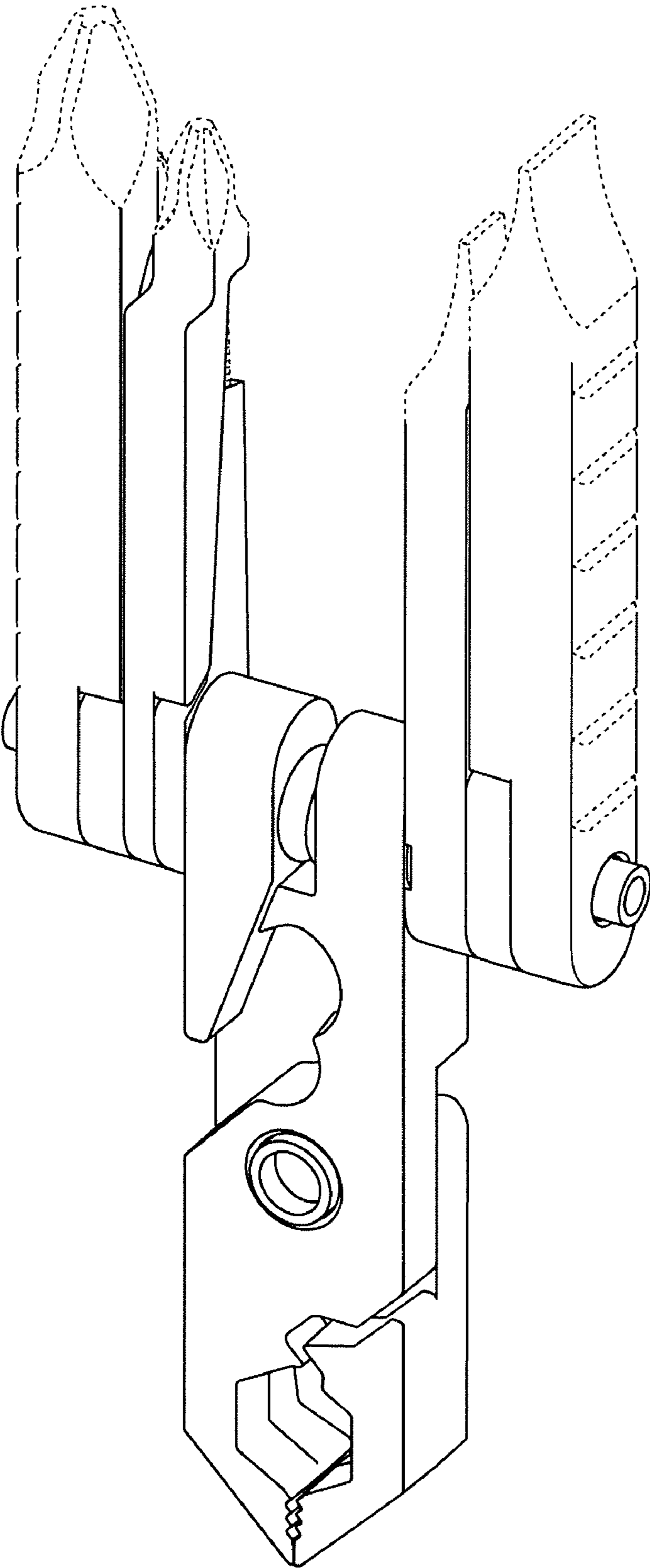
**Fig. 12**



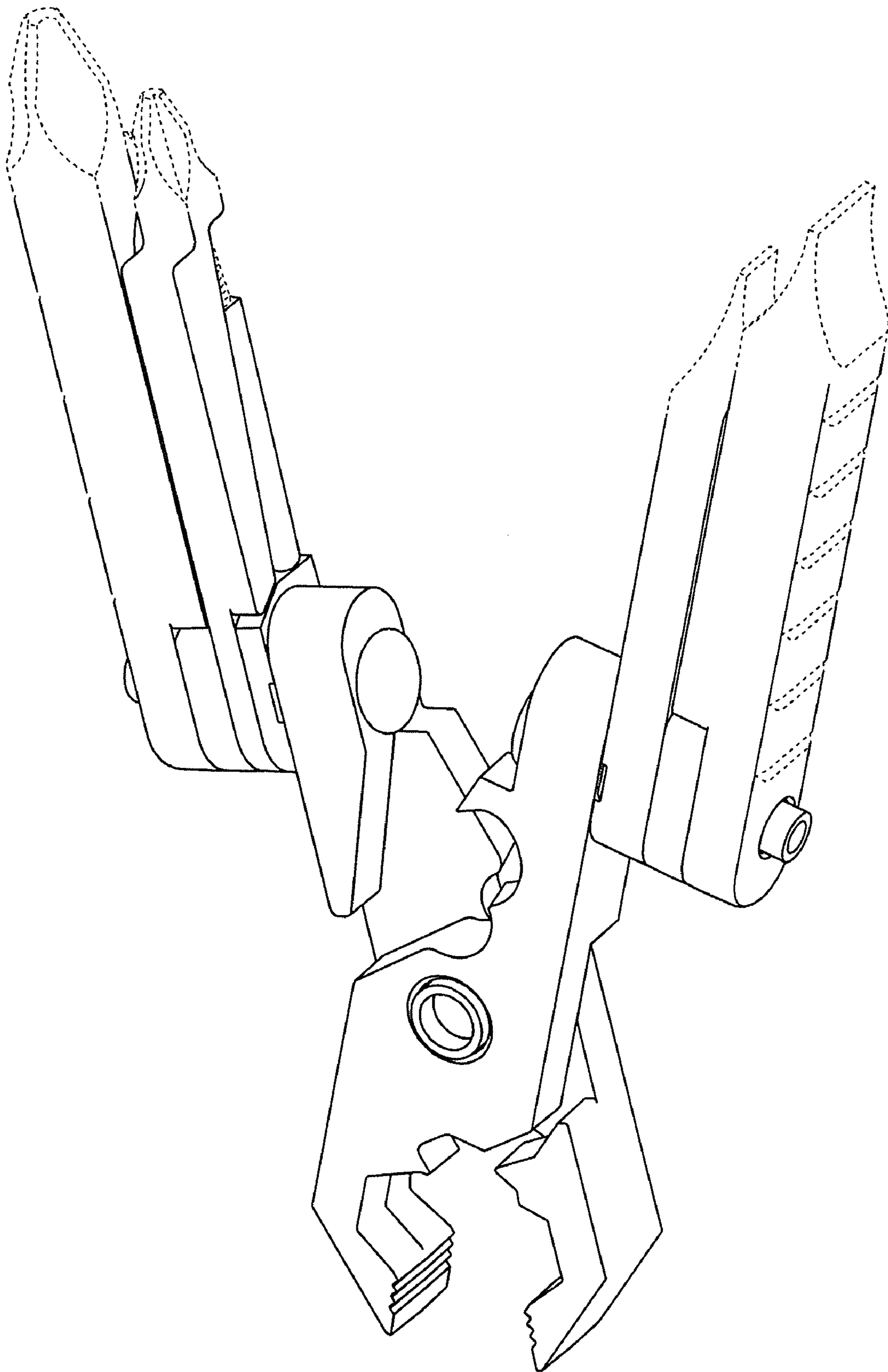
**Fig. 13**



**Fig. 14**

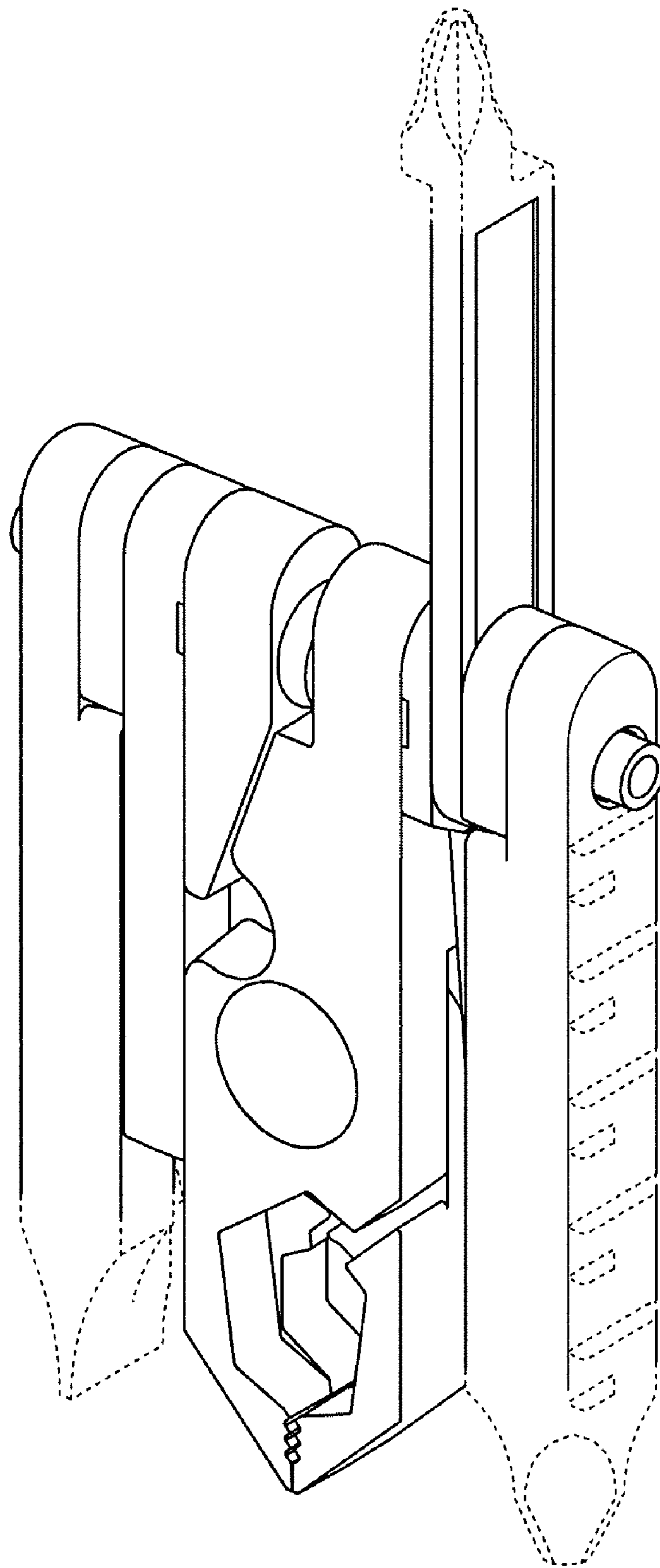


**Fig. 15**



**Fig. 16**





**Fig. 17**