

US00D598264S

(12) **United States Design Patent**
Mullen

(10) **Patent No.:** **US D598,264 S**

(45) **Date of Patent:** **** Aug. 18, 2009**

(54) **CAMP AXE HANDLE**

(75) Inventor: **Joshua O. Mullen**, Duncannon, PA (US)

(73) Assignee: **Ames True Temper, Inc.**, Camp Hill, PA (US)

(**) Term: **14 Years**

(21) Appl. No.: **29/324,318**

(22) Filed: **Sep. 10, 2008**

(51) **LOC (9) Cl.** **08-02**

(52) **U.S. Cl.** **D8/80**

(58) **Field of Classification Search** D8/75,
D8/76, 77, 78, 79, 80, 81, 107, 14; 7/143,
7/144, 146, 147; 81/20, 21, 22; 30/308.1,
30/308.2; 254/25 R; 16/110.1
See application file for complete search history.

(56) **References Cited**

U.S. PATENT DOCUMENTS

4,418,732	A	*	12/1983	Kolonia	81/489
D273,359	S	*	4/1984	Kolonia	D8/80
D402,874	S	*	12/1998	Hall et al.	D8/76
D424,903	S	*	5/2000	Hreha et al.	D8/80
D481,611	S	*	11/2003	Hung	D8/107

D495,227	S	*	8/2004	Hung	D8/80
D519,813	S	*	5/2006	Hung	D8/76
D538,626	S	*	3/2007	Hsieh-Yeh	D8/107
D564,324	S	*	3/2008	Hsieh-Yeh	D8/80
D583,641	S	*	12/2008	Fortier et al.	D8/76

* cited by examiner

Primary Examiner—Philip S Hyder

(74) *Attorney, Agent, or Firm*—Eckert Seamans Cherin & Mellott, LLC; David C. Jenkins, Esq.

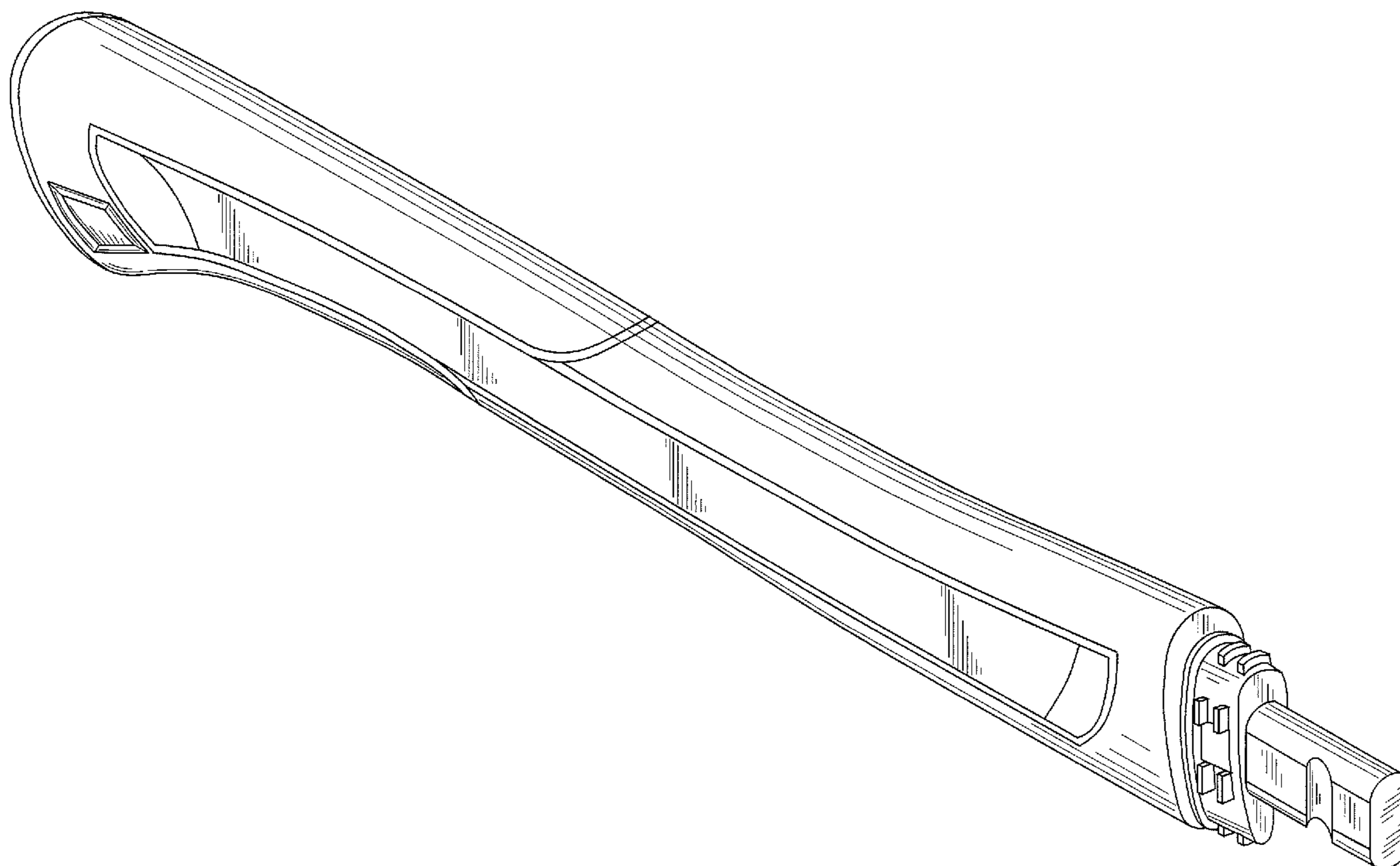
(57) **CLAIM**

The ornamental design for a camp axe handle, as shown and described.

DESCRIPTION

FIG. 1 is an isometric view of the camp axe handle;
FIG. 2 is a front end view of the camp axe handle;
FIG. 3 is a back end view of the camp axe handle;
FIG. 4 is a right side view of the camp axe handle;
FIG. 5 is a left side view of the camp axe handle;
FIG. 6 is a top view of the camp axe handle; and,
FIG. 7 is a bottom view of the camp axe handle.

1 Claim, 4 Drawing Sheets



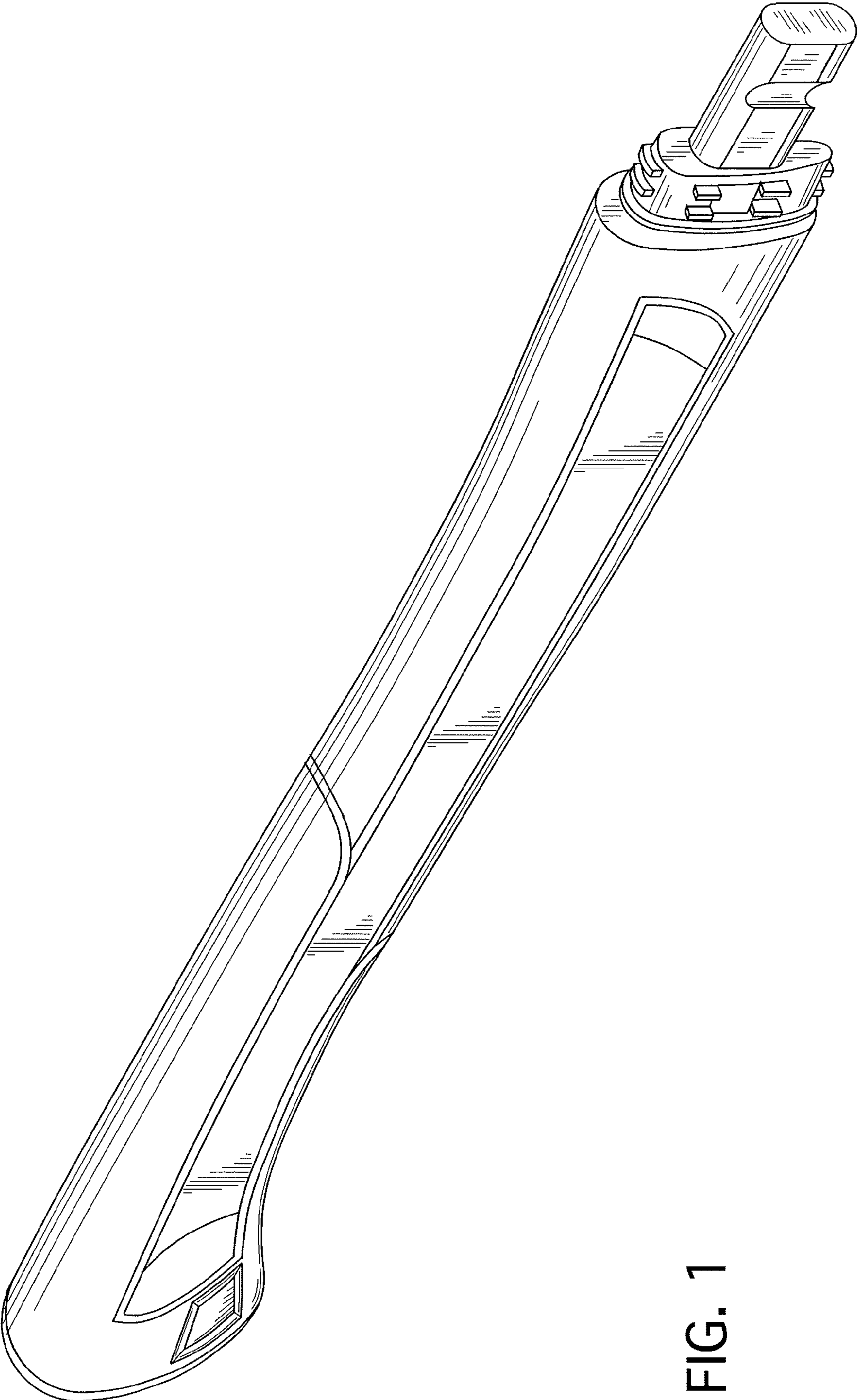


FIG. 1

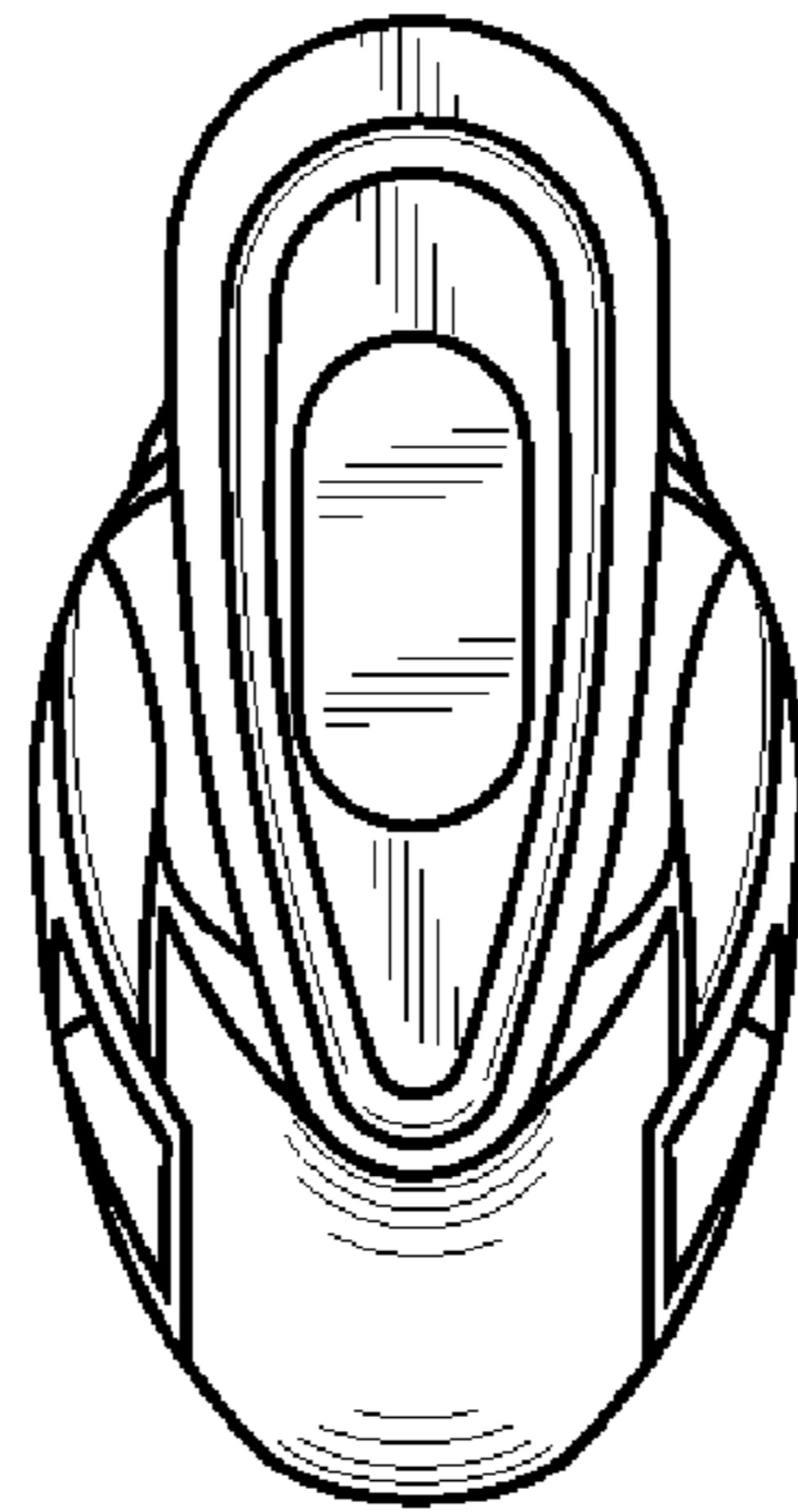


FIG. 2

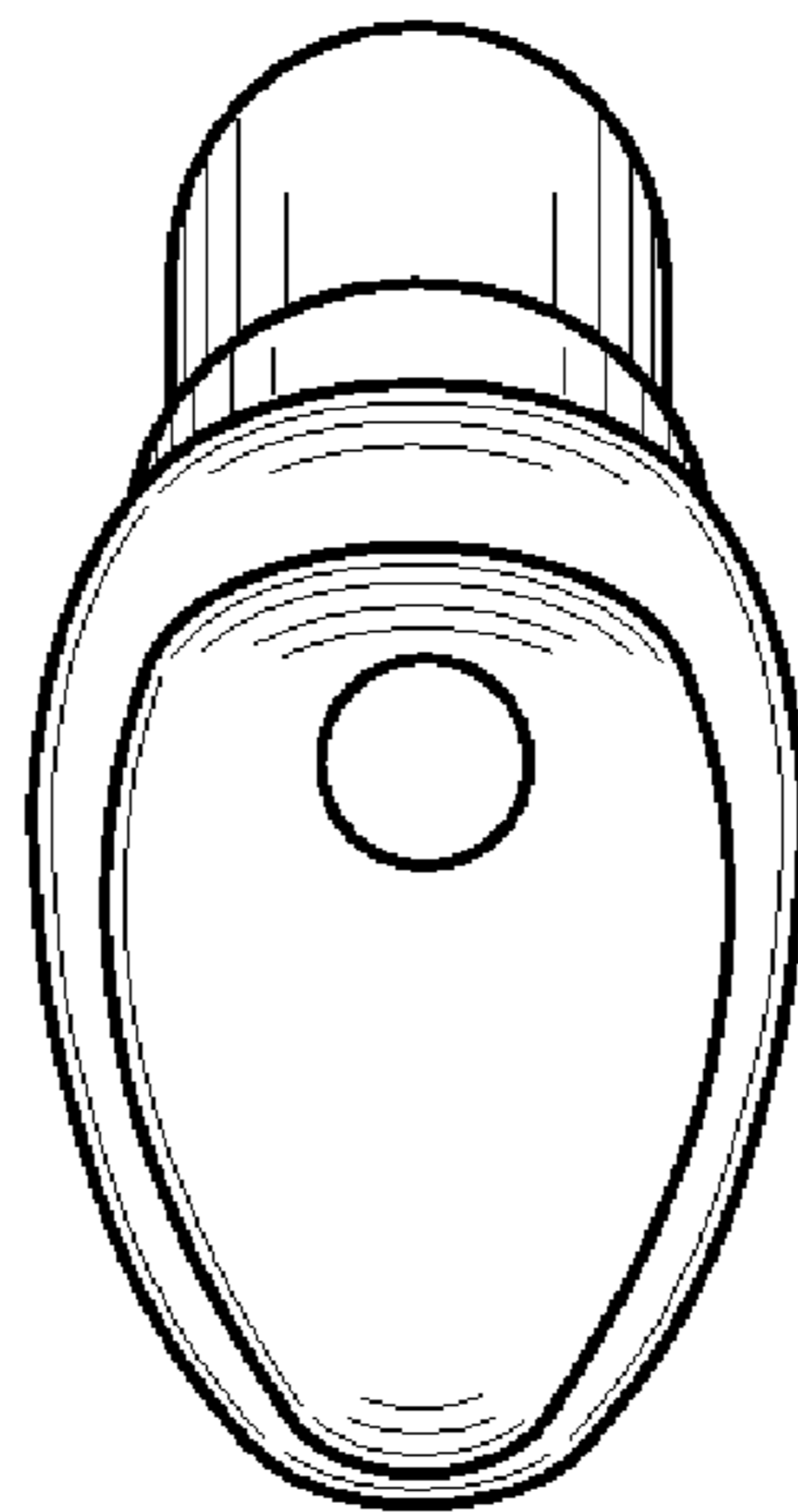


FIG. 3

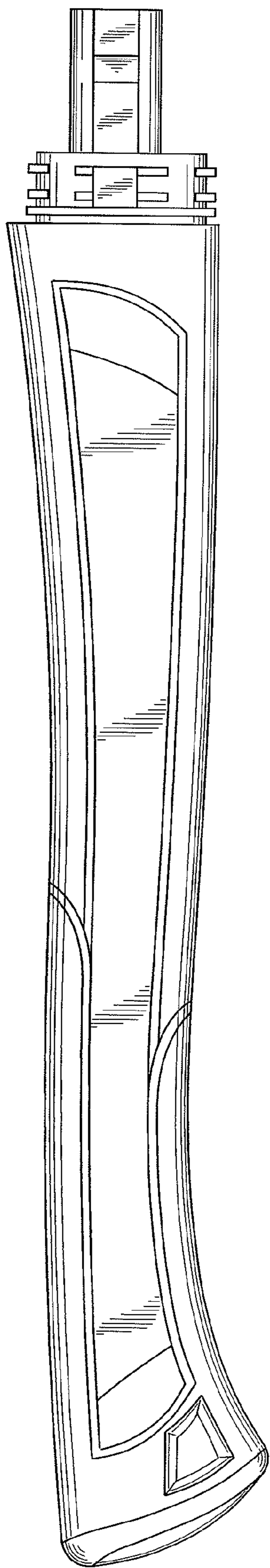


FIG. 4

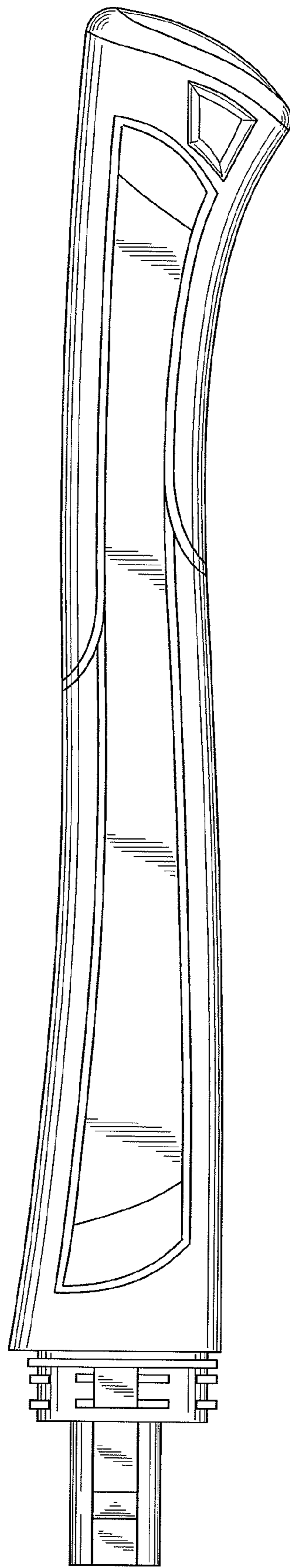


FIG. 5

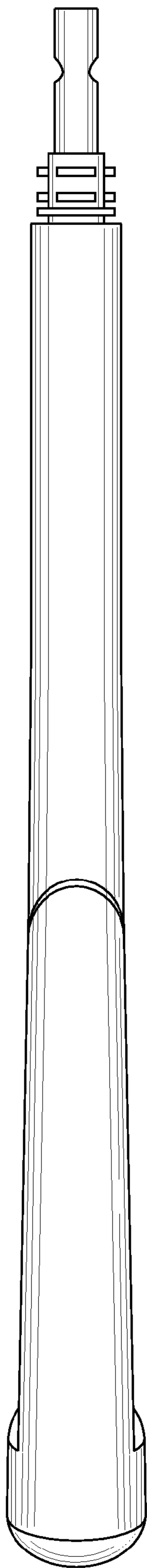


FIG. 6

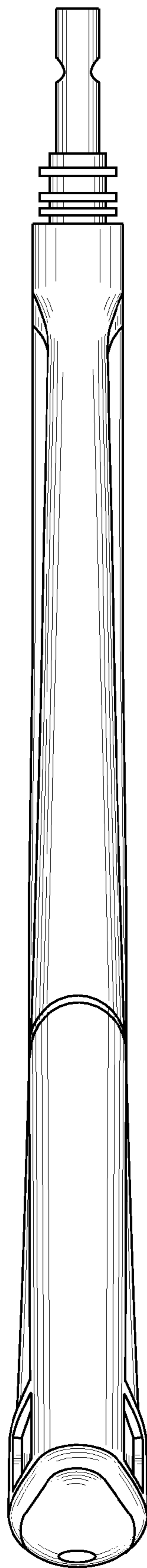


FIG. 7