



US00D598263S

(12) **United States Design Patent**  
**Noniewicz**

(10) **Patent No.:** **US D598,263 S**

(45) **Date of Patent:** **\*\* Aug. 18, 2009**

(54) **CLAMP**

2007/0284796 A1\* 12/2007 Hummel ..... 269/41

(75) Inventor: **Zbigniew Noniewicz**, Kempenich (DE)

**FOREIGN PATENT DOCUMENTS**

(73) Assignee: **Wolfcraft GmbH**, Kempenich (DE)

DE	19 92 249	1/1966
DE	21 17 678	10/1972
DE	36 25 924	3/1988

(\*\*) Term: **14 Years**

\* cited by examiner

(21) Appl. No.: **29/307,299**

*Primary Examiner*—T. Chase Nelson

*Assistant Examiner*—David G Muller

(22) Filed: **Apr. 11, 2008**

(74) *Attorney, Agent, or Firm*—K&L Gates LLP

(30) **Foreign Application Priority Data**

(57) **CLAIM**

Nov. 16, 2007 (EM) ..... 000827456

The ornamental design for a clamp, as shown and described.

(51) **LOC (9) Cl.** ..... **08-05**

**DESCRIPTION**

(52) **U.S. Cl.** ..... **D8/72**

(58) **Field of Classification Search** ..... D8/72,  
D8/71, 74, 394, 395, 354, 355; 269/41, 42,  
269/136; 248/689, 124.2; 81/487, 427, 321;  
D15/140, 127; 83/761–768

A portion of the disclosure of this patent document contains or may contain material which is subject to copyright protection. The copyright owner has no objection to the photocopy reproduction by anyone of the patent document or the patent disclosure in exactly the form it appears in the U.S. Patent and Trademark Office patent file or records, but otherwise reserves all copyright rights whatsoever.

See application file for complete search history.

FIG. 1 is a perspective view of one embodiment of the clamp.

(56) **References Cited**

**U.S. PATENT DOCUMENTS**

4,247,090	A *	1/1981	Hahn et al.	.....	269/41
D271,660	S *	12/1983	Elmore et al.	.....	D8/71
D363,201	S *	10/1995	Hill et al.	.....	D8/71
5,730,433	A *	3/1998	Veres	.....	269/41
D406,035	S *	2/1999	Erisoty et al.	.....	D8/71
5,884,905	A *	3/1999	Keindl	.....	269/41
D437,547	S *	2/2001	Moubayed et al.	.....	D8/394
D489,245	S *	5/2004	Brazier et al.	.....	D8/354
6,829,972	B2 *	12/2004	Chen	.....	83/761
D538,622	S *	3/2007	Jones et al.	.....	D8/74
2006/0284358	A1 *	12/2006	Ben-Gigi	.....	269/41
2007/0267796	A1 *	11/2007	Deming	.....	269/41

FIG. 2 is a top view of the clamp of FIG. 1.

FIG. 3 is a right side elevation view of the clamp of FIG. 1.

FIG. 4 is a bottom view of the clamp of FIG. 1.

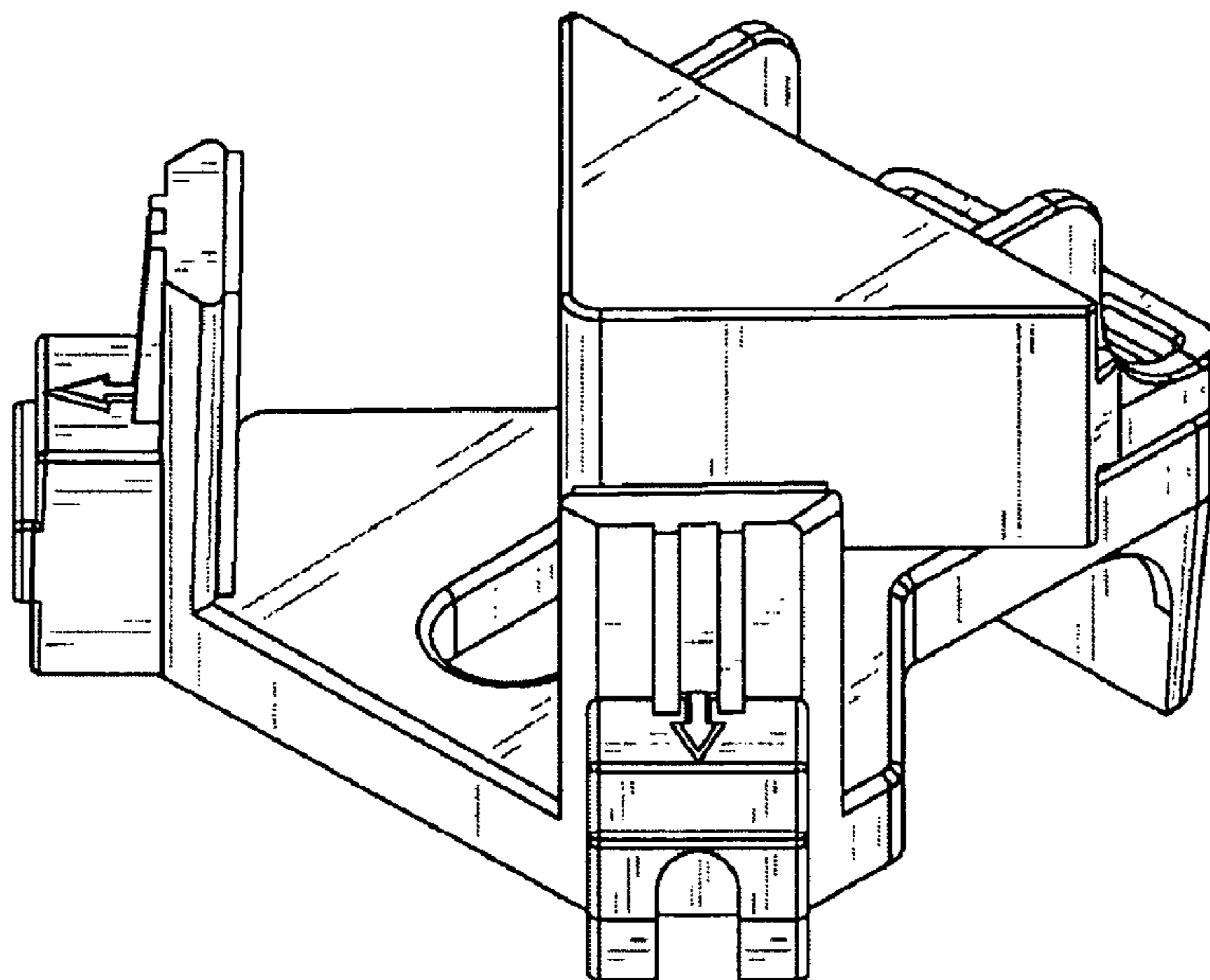
FIG. 5 is a left side elevation view of the clamp of FIG. 1, oriented in an inverted position.

FIG. 6 is a rear side elevation view of the clamp of FIG. 1; and,

FIG. 7 is a front side elevation view of the clamp of FIG. 1.

The features shown in broken lines depict portions of the clamp that form no part of the claimed design.

**1 Claim, 3 Drawing Sheets**



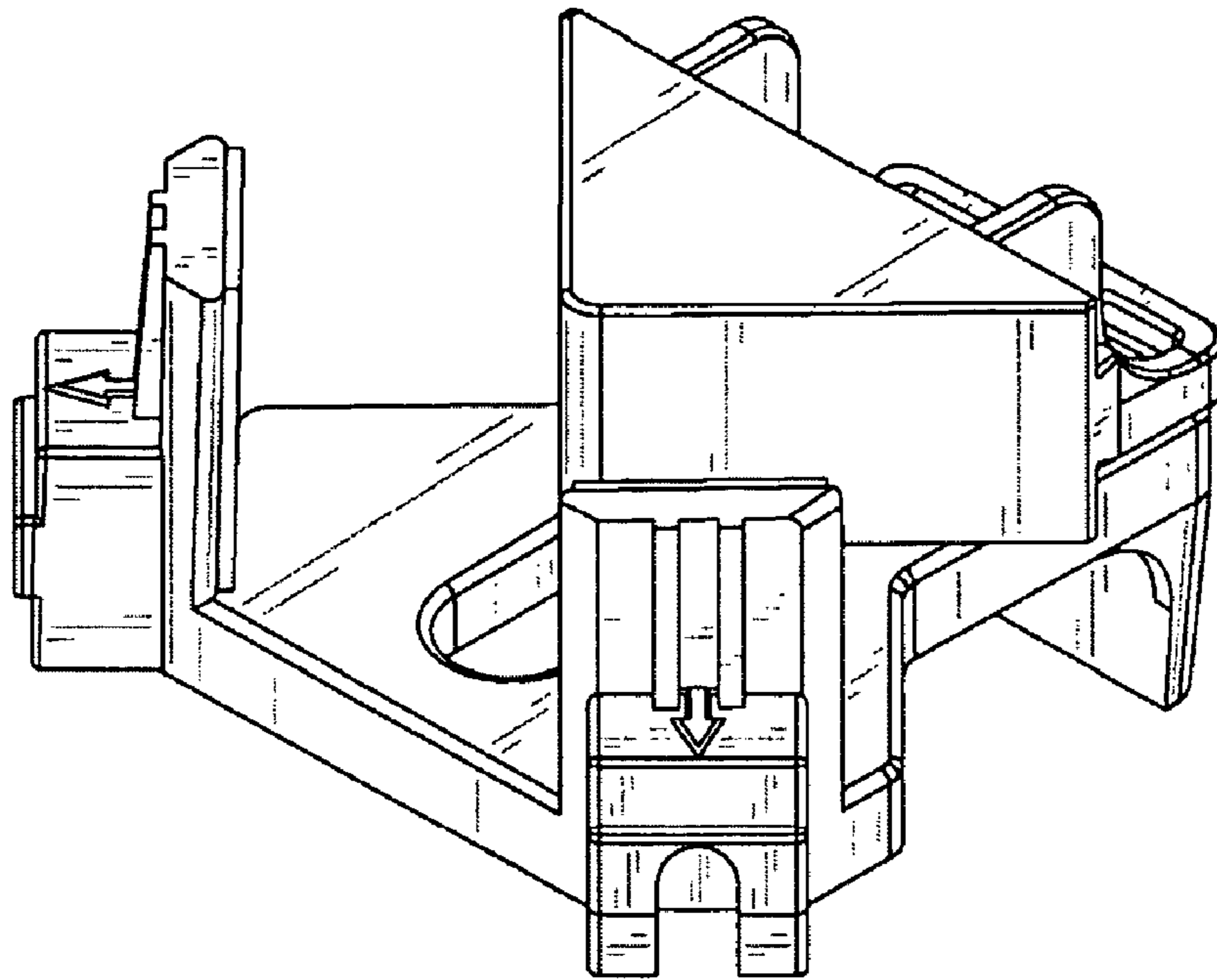


FIG. 1

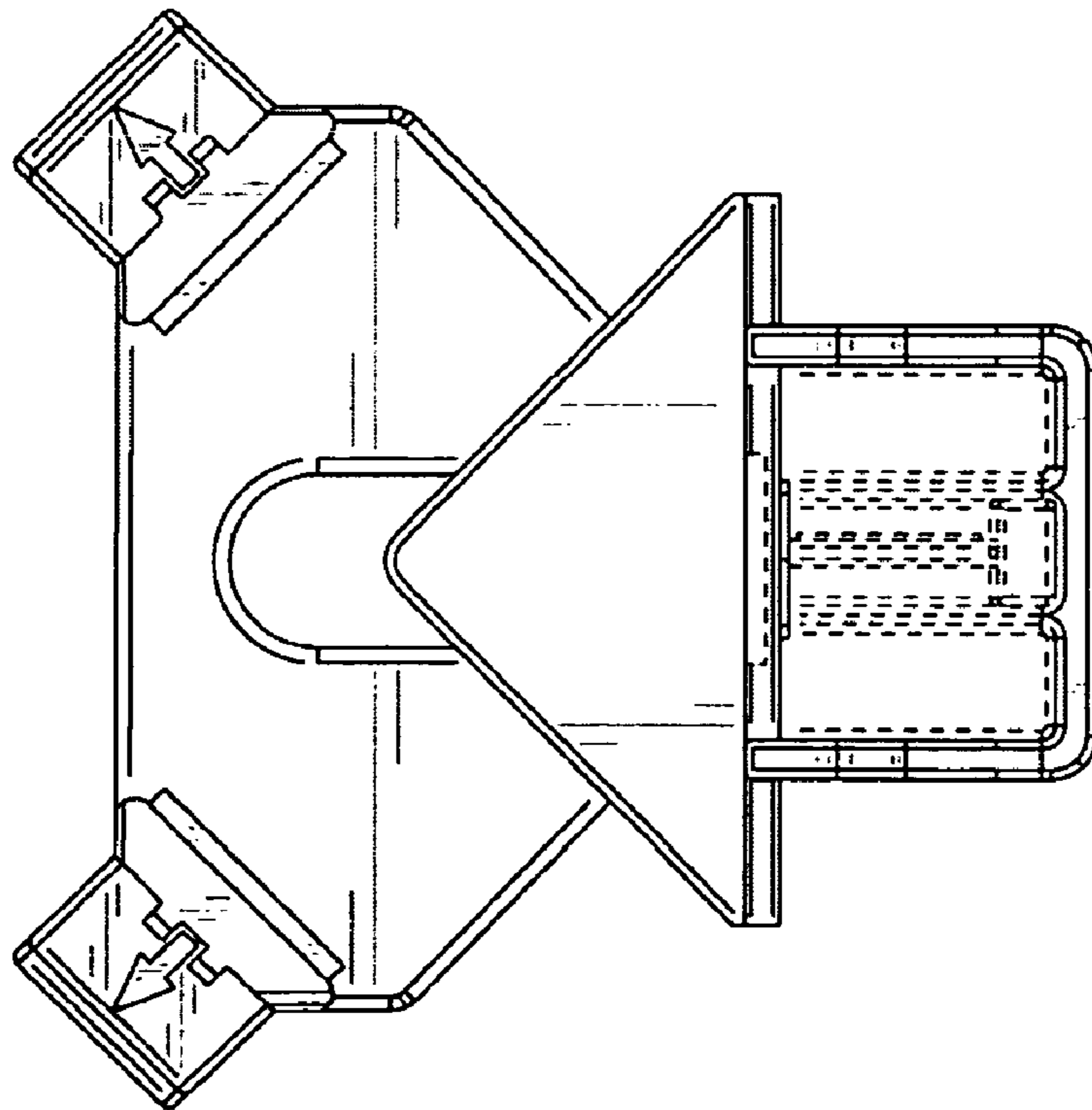


FIG. 2

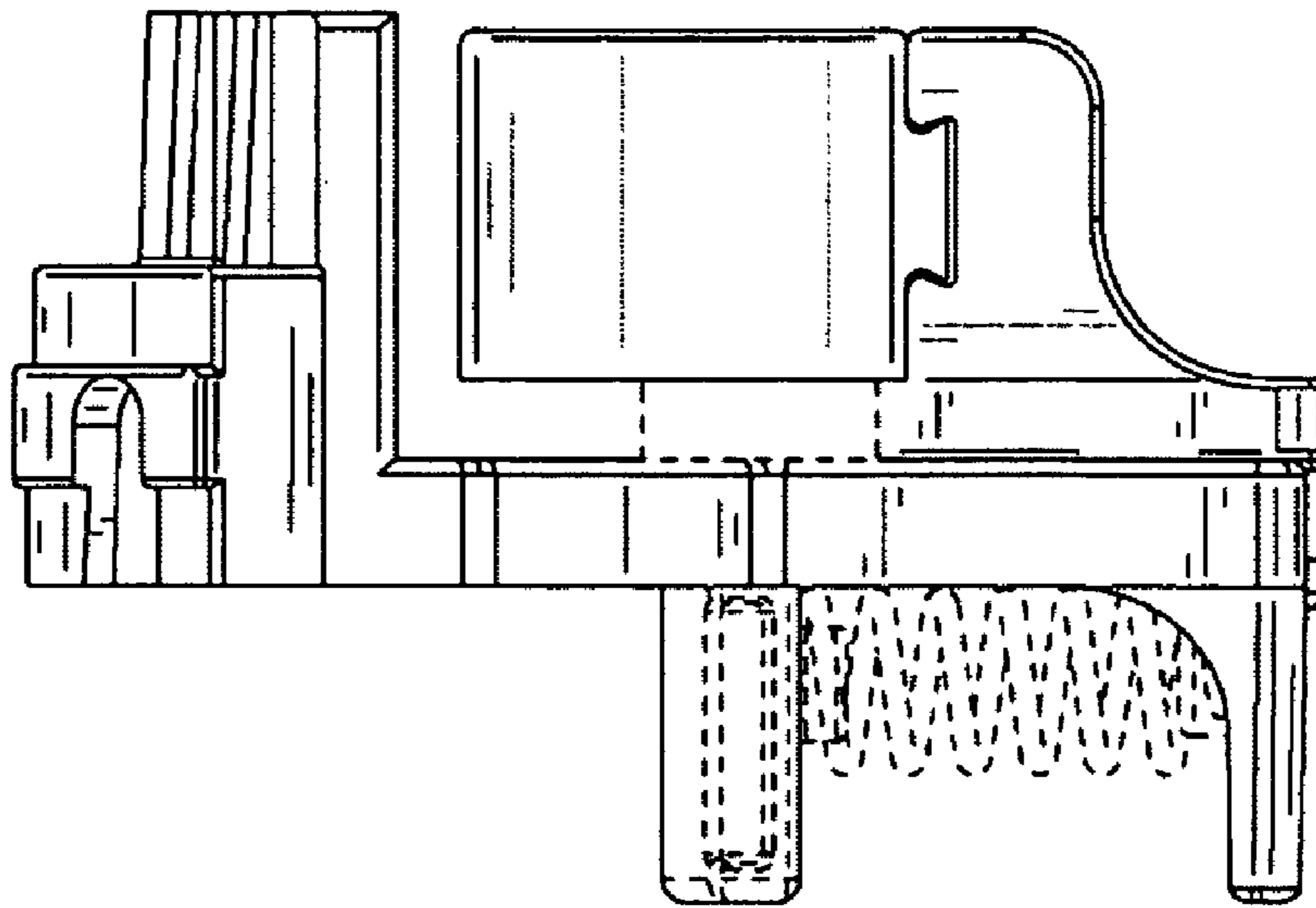


FIG. 3

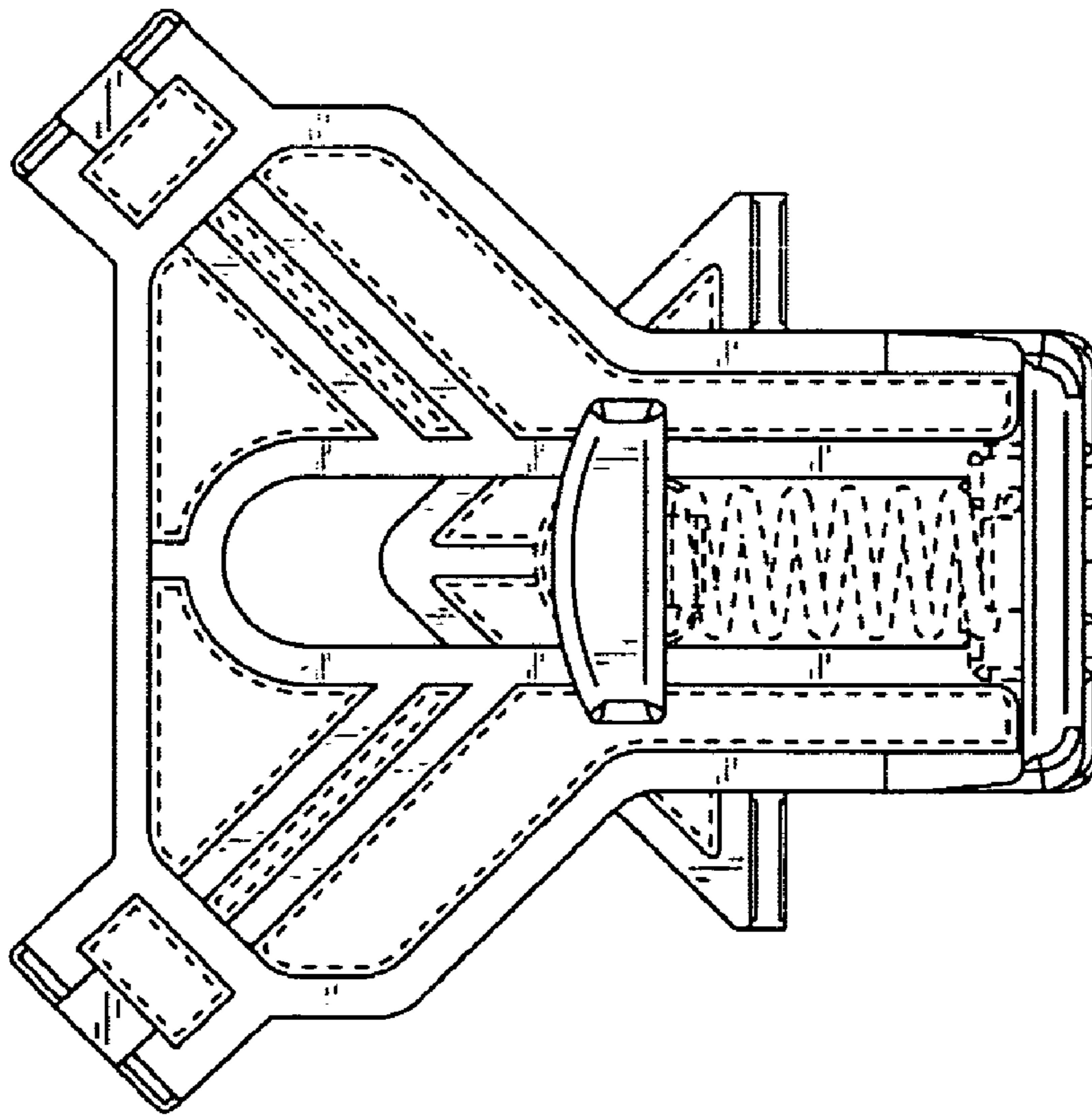


FIG. 4

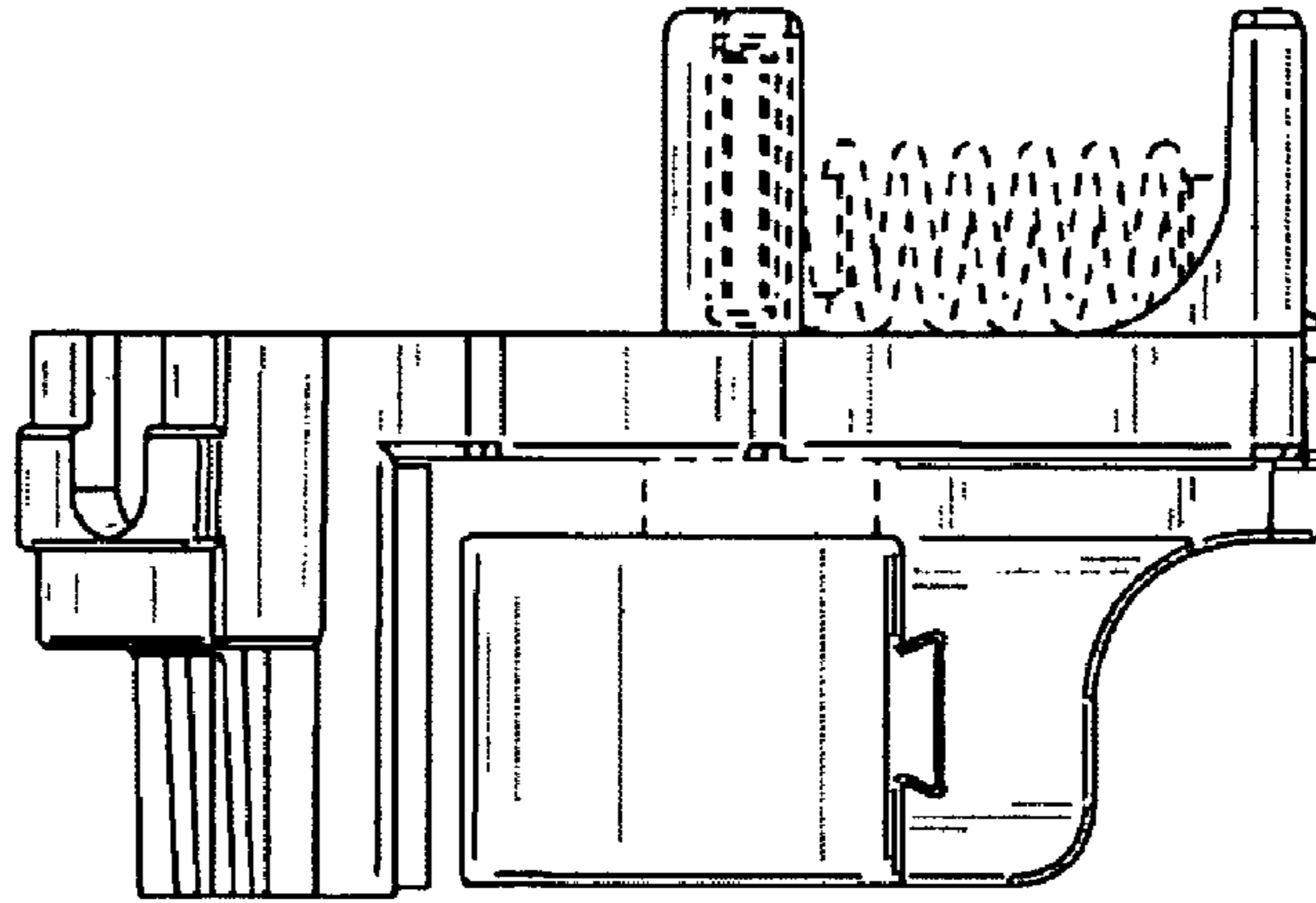


FIG. 5

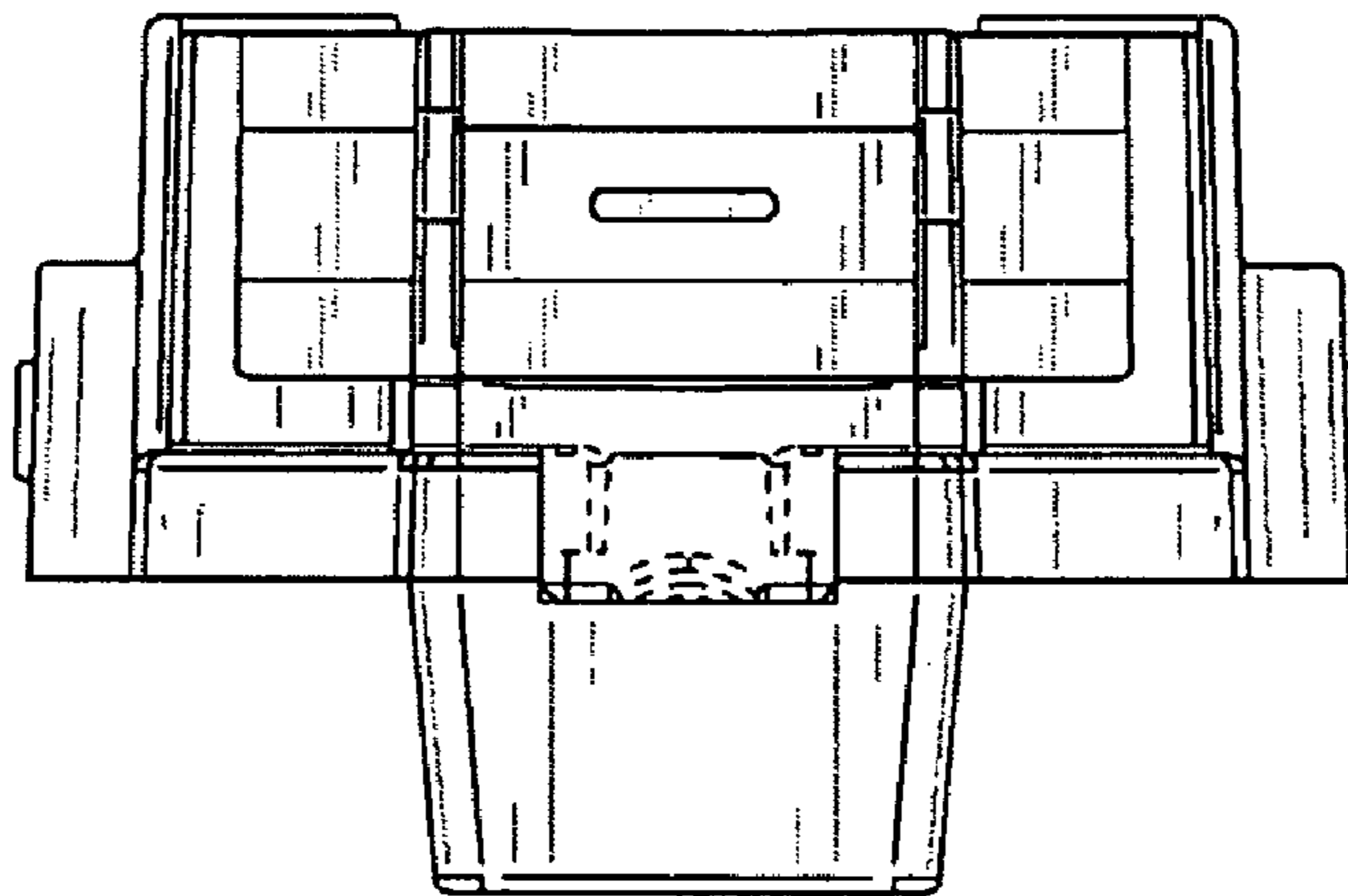


FIG. 6

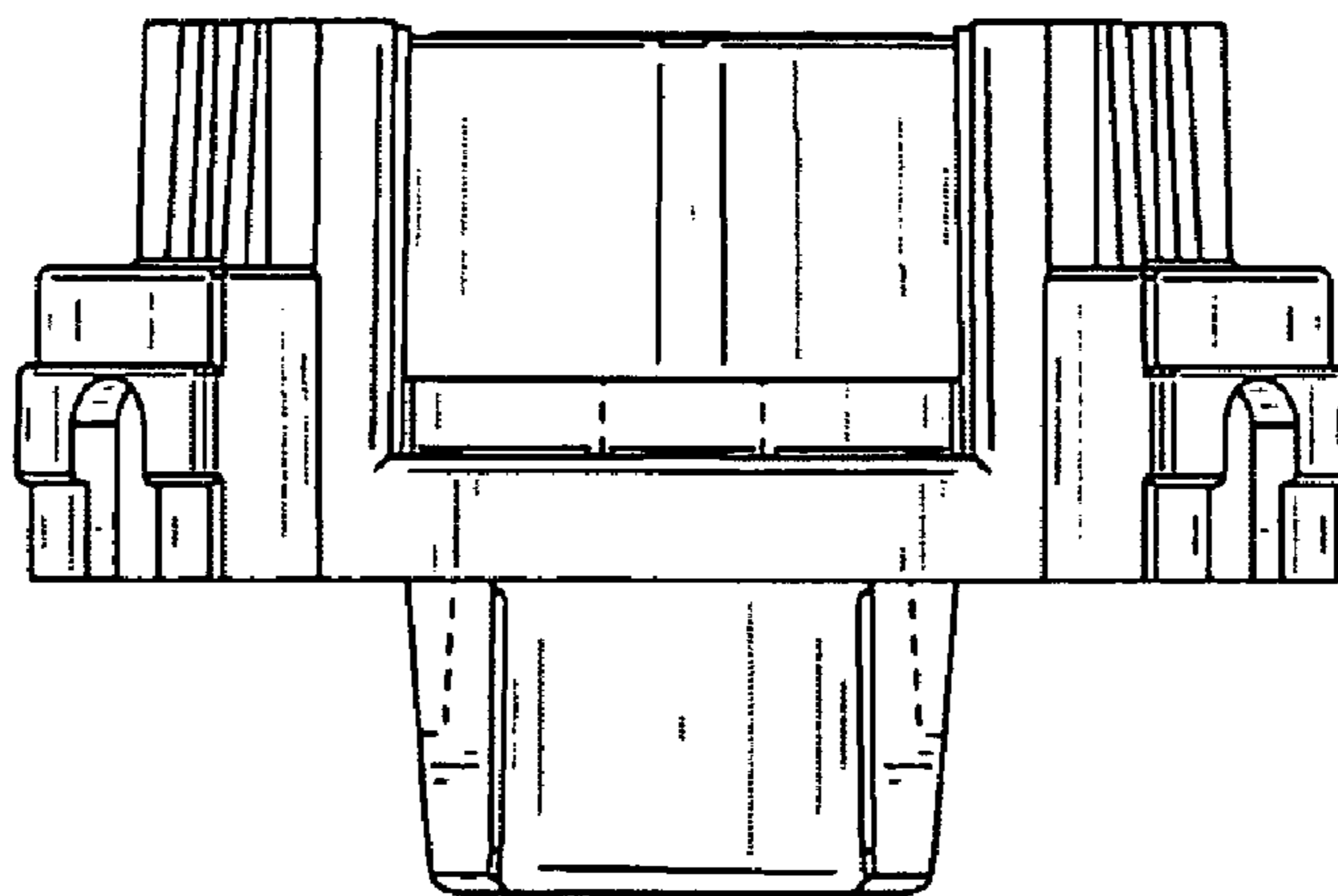


FIG. 7