

US00D598262S

(12) **United States Design Patent**
Grey

(10) **Patent No.:** **US D598,262 S**

(45) **Date of Patent:** **** Aug. 18, 2009**

(54) **MULTI-FUNCTION TOOL HANDLE**

(75) Inventor: **Nicholas Gerald Grey**, Worcester (GB)

(73) Assignee: **Grey Technology Limited** (GB)

(**) Term: **14 Years**

(21) Appl. No.: **29/285,666**

(22) Filed: **Apr. 5, 2007**

(30) **Foreign Application Priority Data**

Feb. 28, 2007 (EM) 000679774

(51) **LOC (9) Cl.** **08-01**

(52) **U.S. Cl.** **D8/70; D8/107**

(58) **Field of Classification Search** D8/1-13,
D8/61-70, 107; 81/57, 57.11, 57.14, 57.26,
81/429, 464, 469; 173/170, 176, 181

See application file for complete search history.

(56) **References Cited**

U.S. PATENT DOCUMENTS

6,296,427	B1 *	10/2001	Potter et al.	408/124
6,929,074	B1 *	8/2005	Lai	173/178
7,137,761	B2 *	11/2006	Hara et al.	408/16
D569,206	S *	5/2008	Takahagi et al.	D8/61
D588,891	S *	3/2009	Hayakawa et al.	D8/61

* cited by examiner

Primary Examiner—Antoine D Davis

(74) *Attorney, Agent, or Firm*—Ira S. Dorman

(57) **CLAIM**

The ornamental design for a multi-function tool handle, as shown and described.

DESCRIPTION

FIG. 1 is a first side elevational view of a multi-function tool handle showing my design;

FIG. 2 is a second side elevational view of the multi-function tool handle shown in FIG. 1, showing the opposite side to that in FIG. 1;

FIG. 3 is a front elevational view of the multi-function tool handle shown in FIG. 1;

FIG. 4 is a bottom view of the multi-function tool handle shown in FIG. 1;

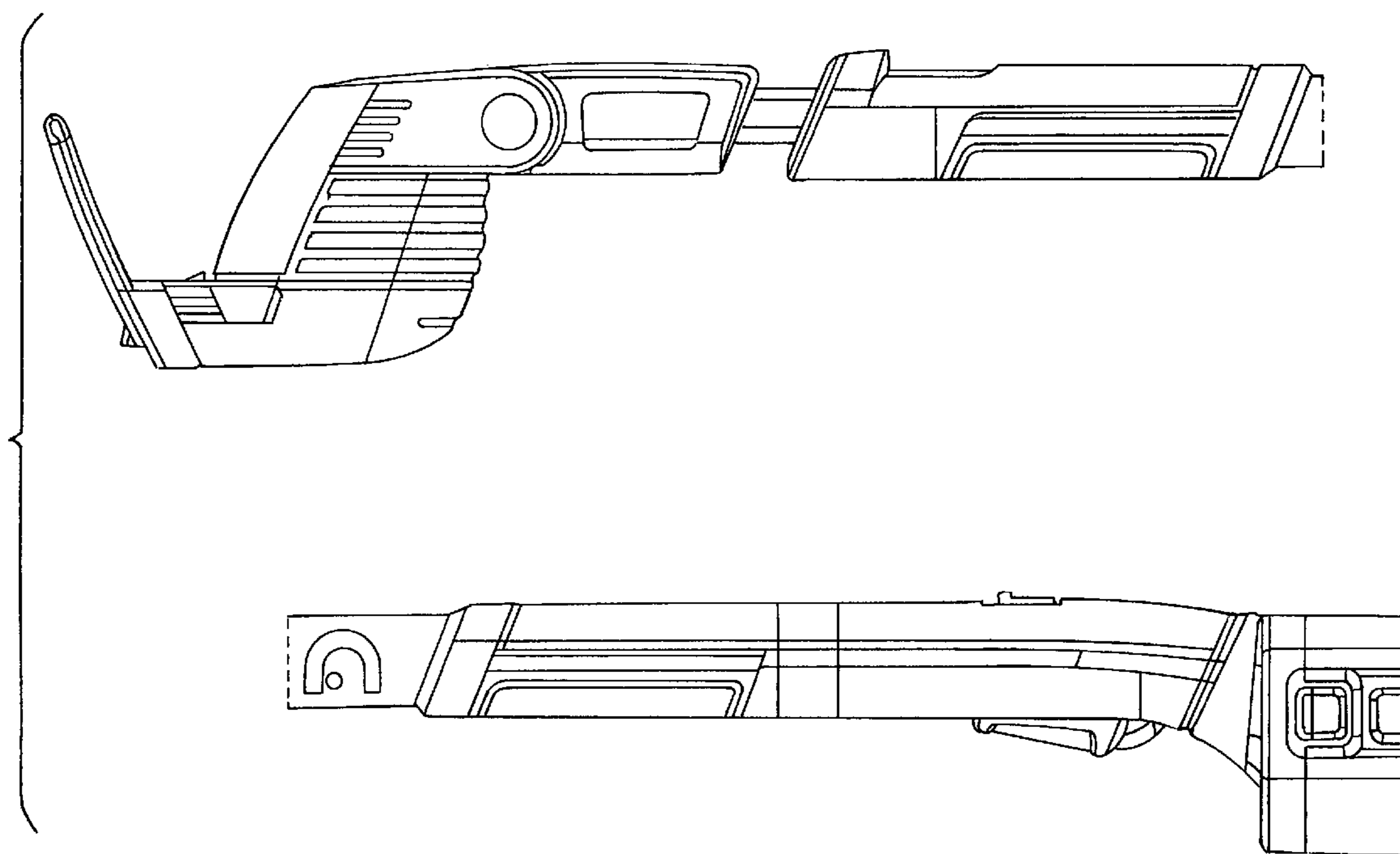
FIG. 5 is a top plan view of the multi-function tool handle shown in FIG. 1;

FIG. 6 is a rear elevational view of the multi-function tool handle shown in FIG. 1; and,

FIG. 7 is a perspective view of the multi-function tool handle shown in FIG. 1.

Figure drawings 1,2,4,5 and 7 have been shown in a fragmented condition for ease of illustration.

1 Claim, 7 Drawing Sheets



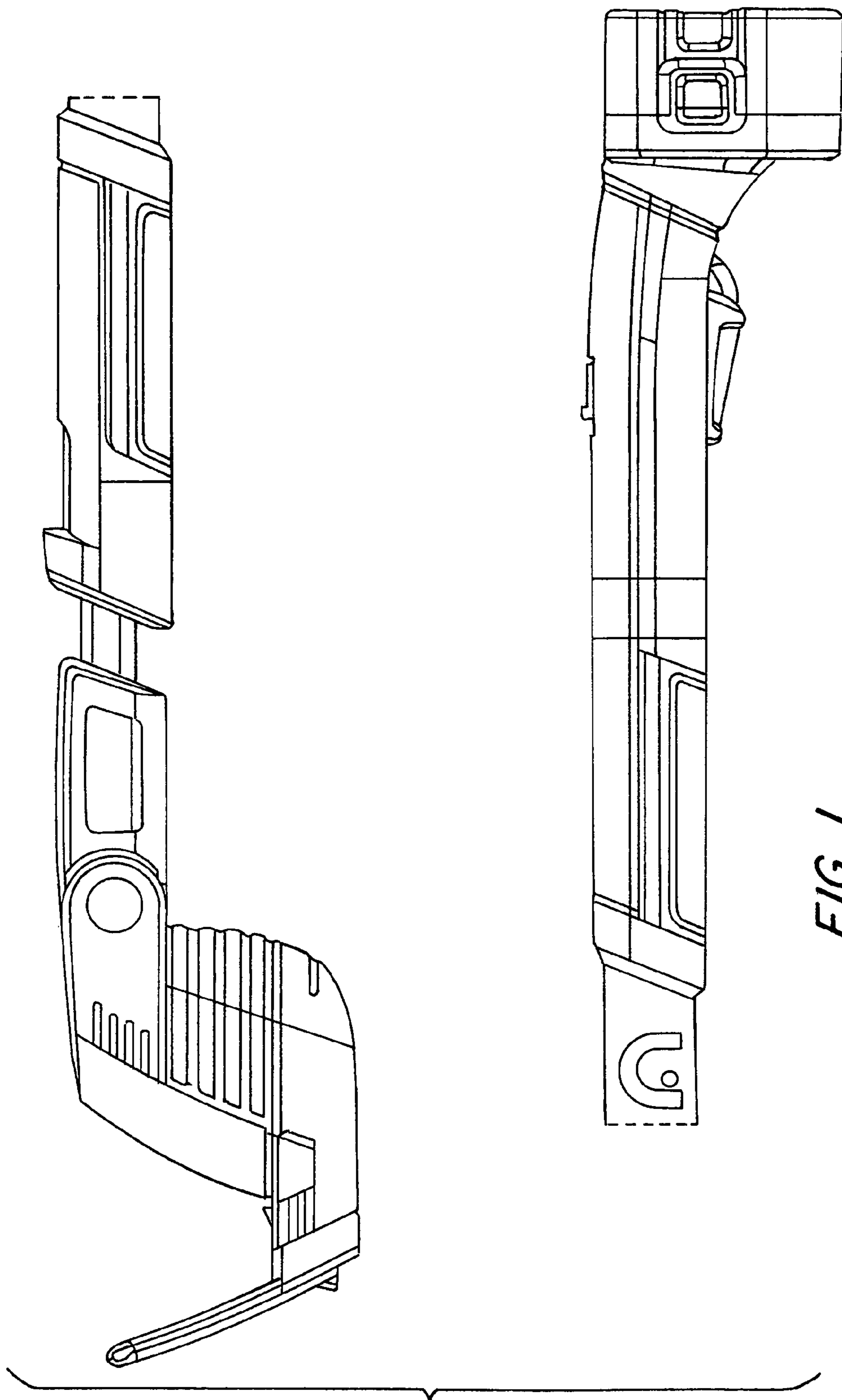


FIG. 1

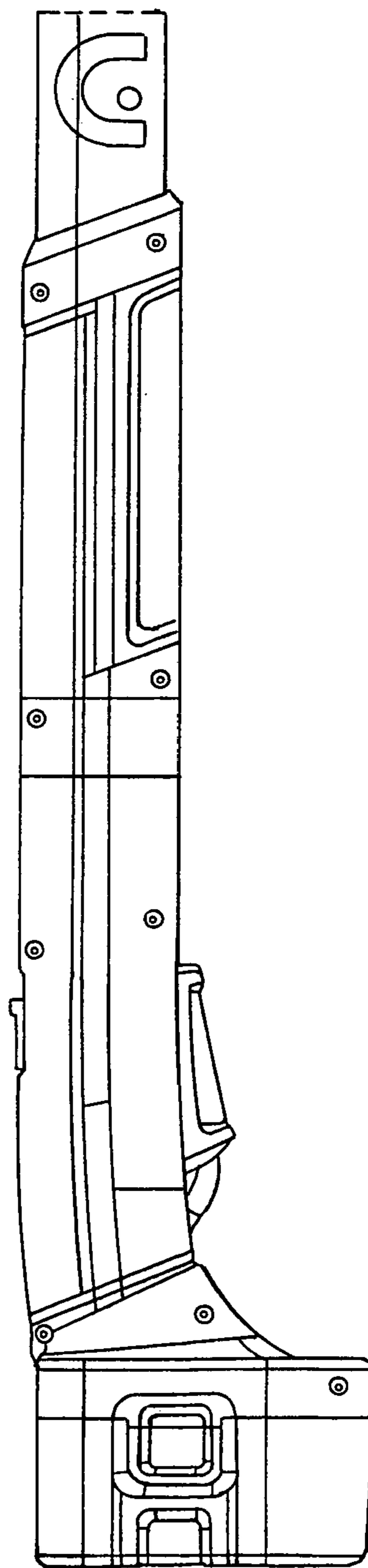
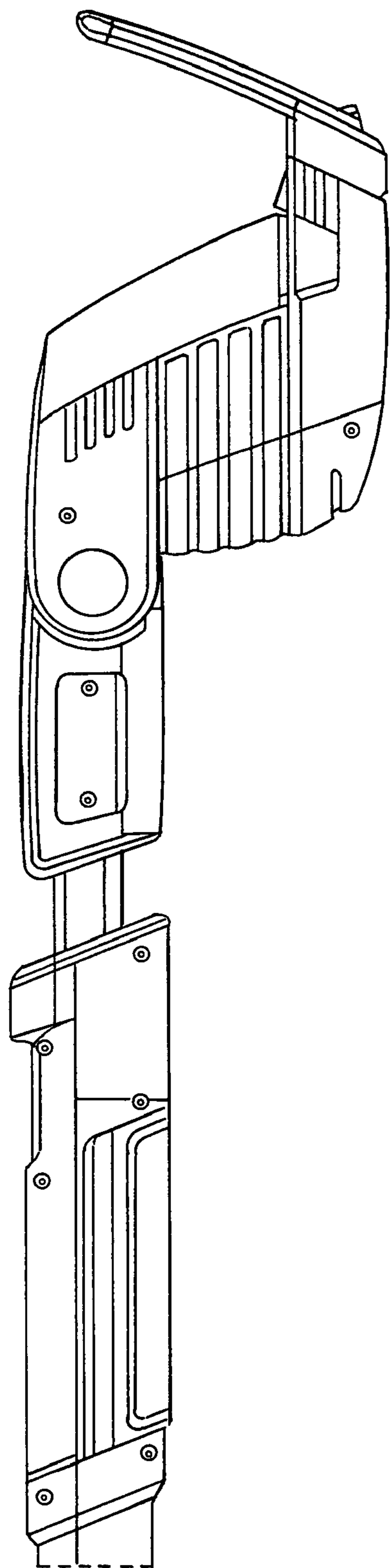
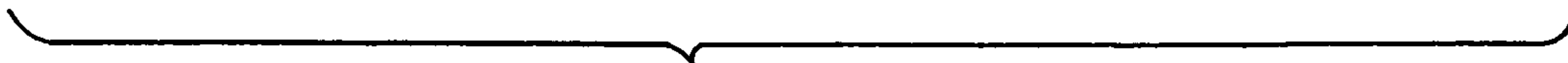


FIG. 2



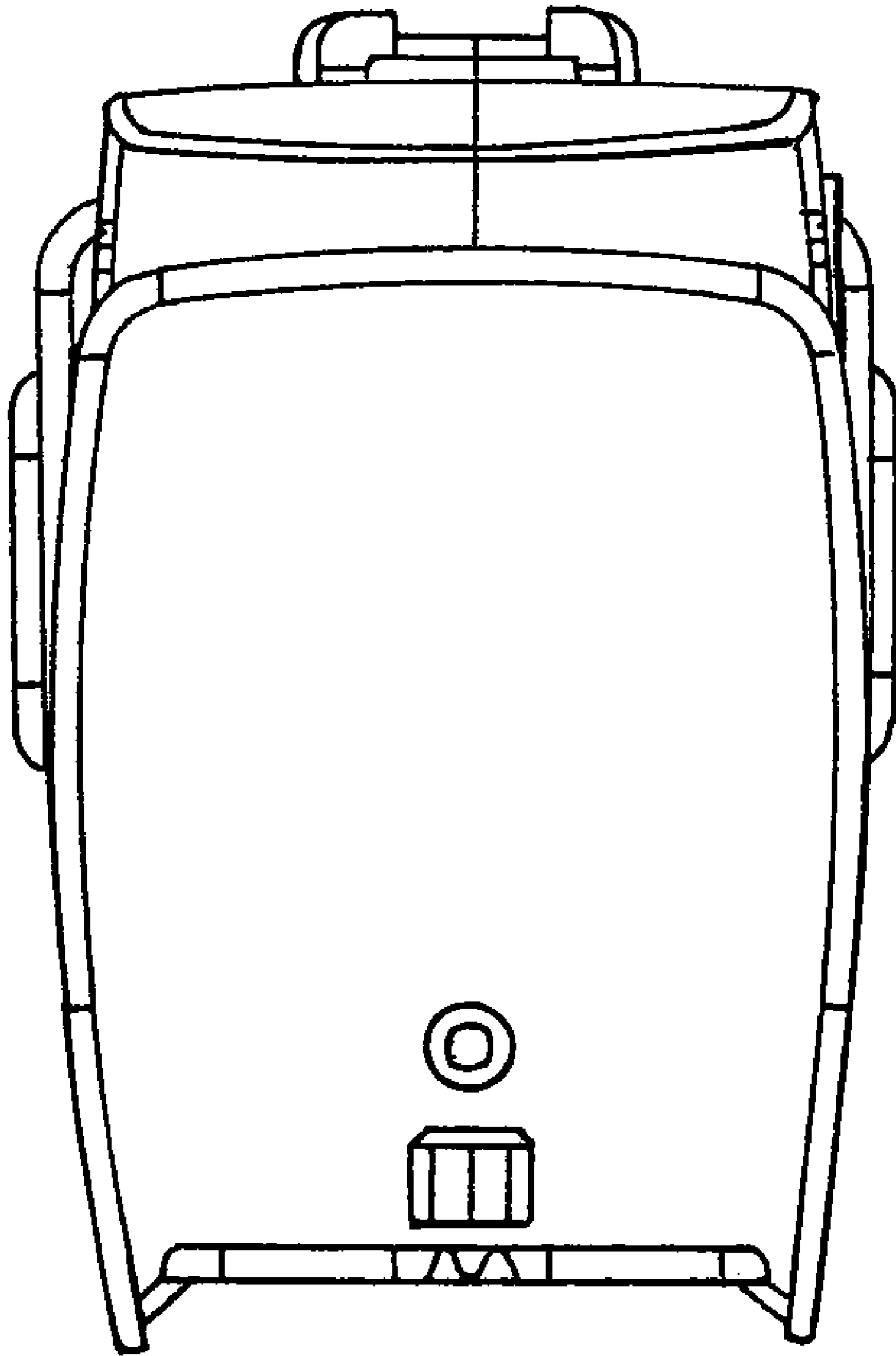


FIG. 3

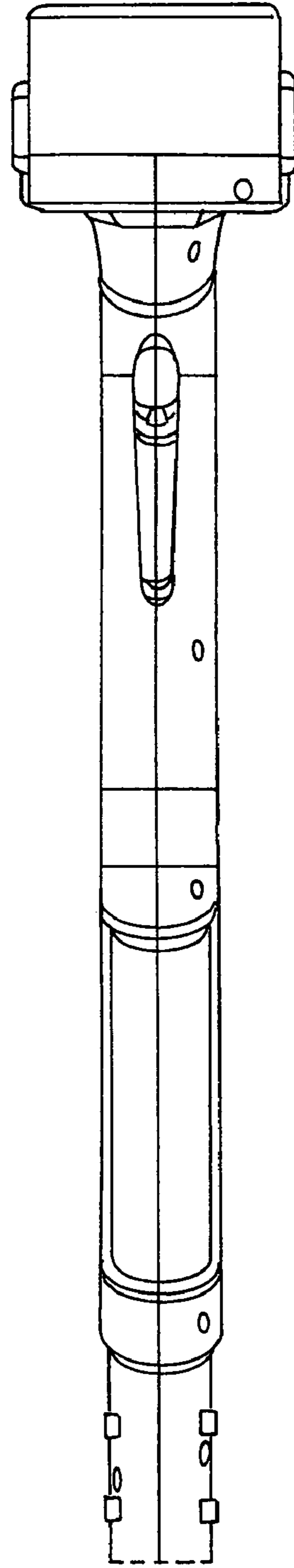
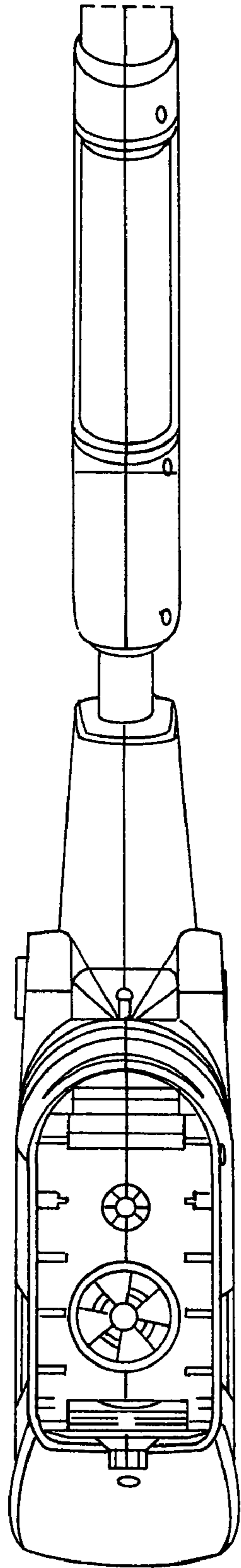


FIG. 4



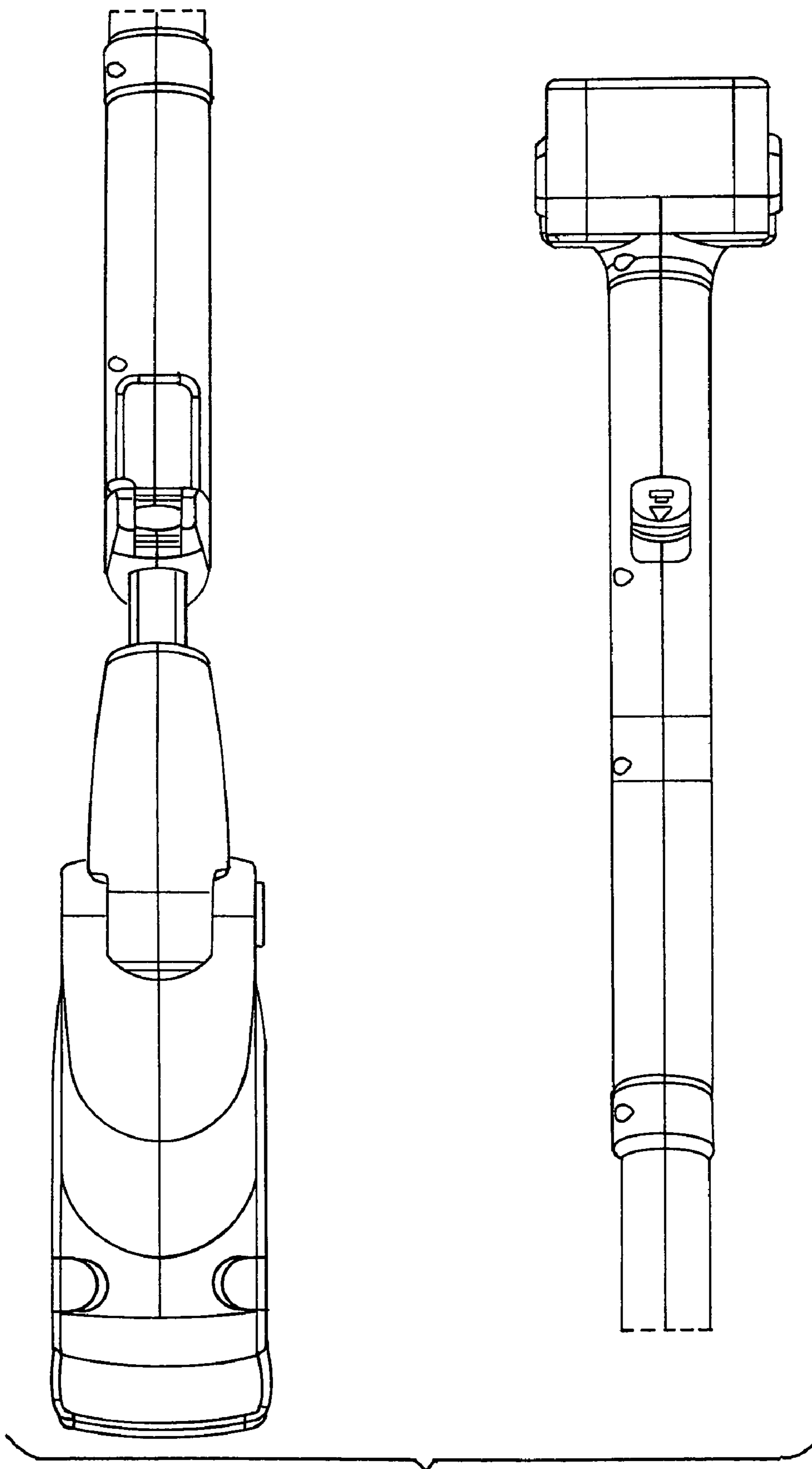


FIG. 5

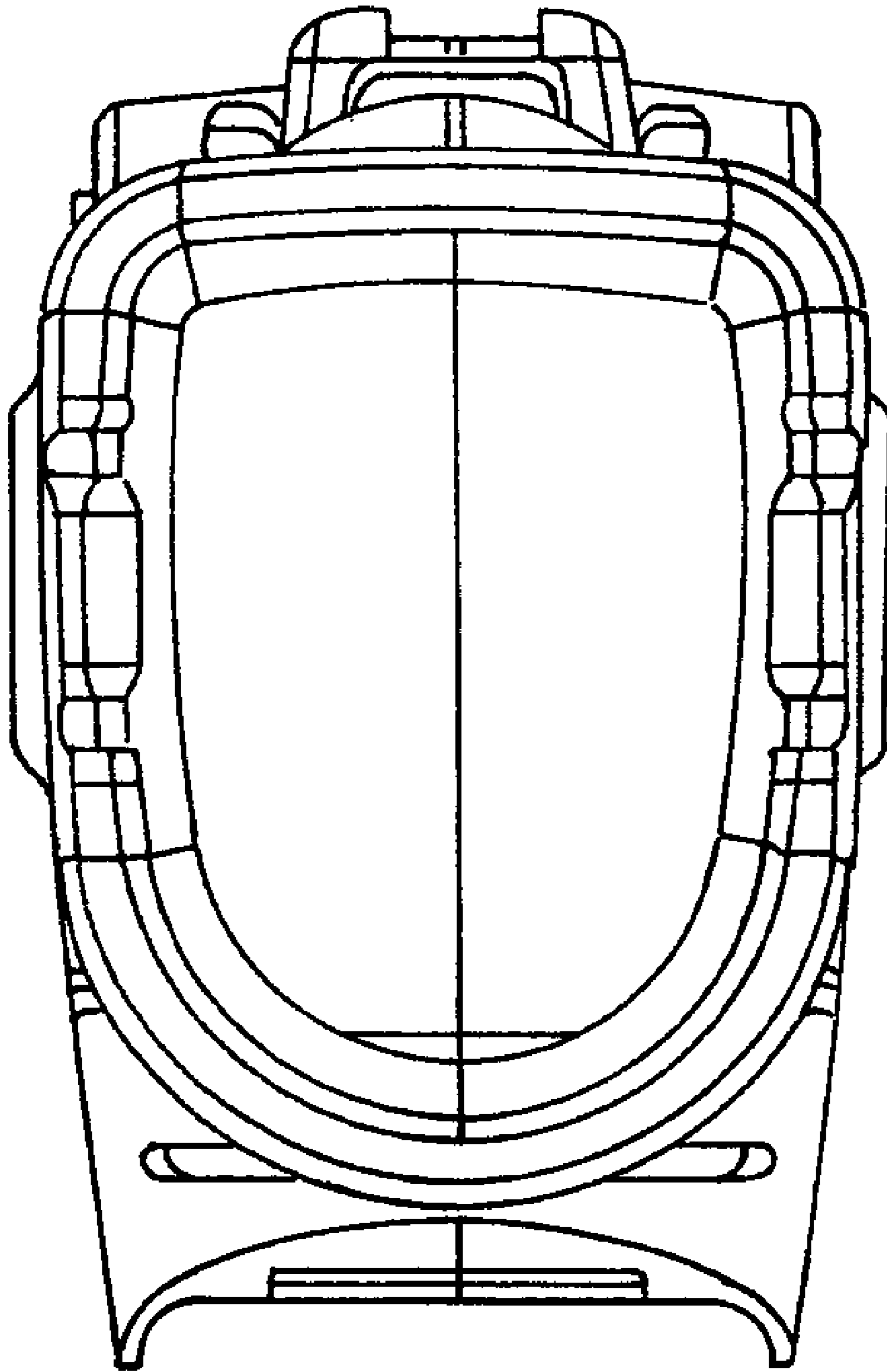


FIG. 6

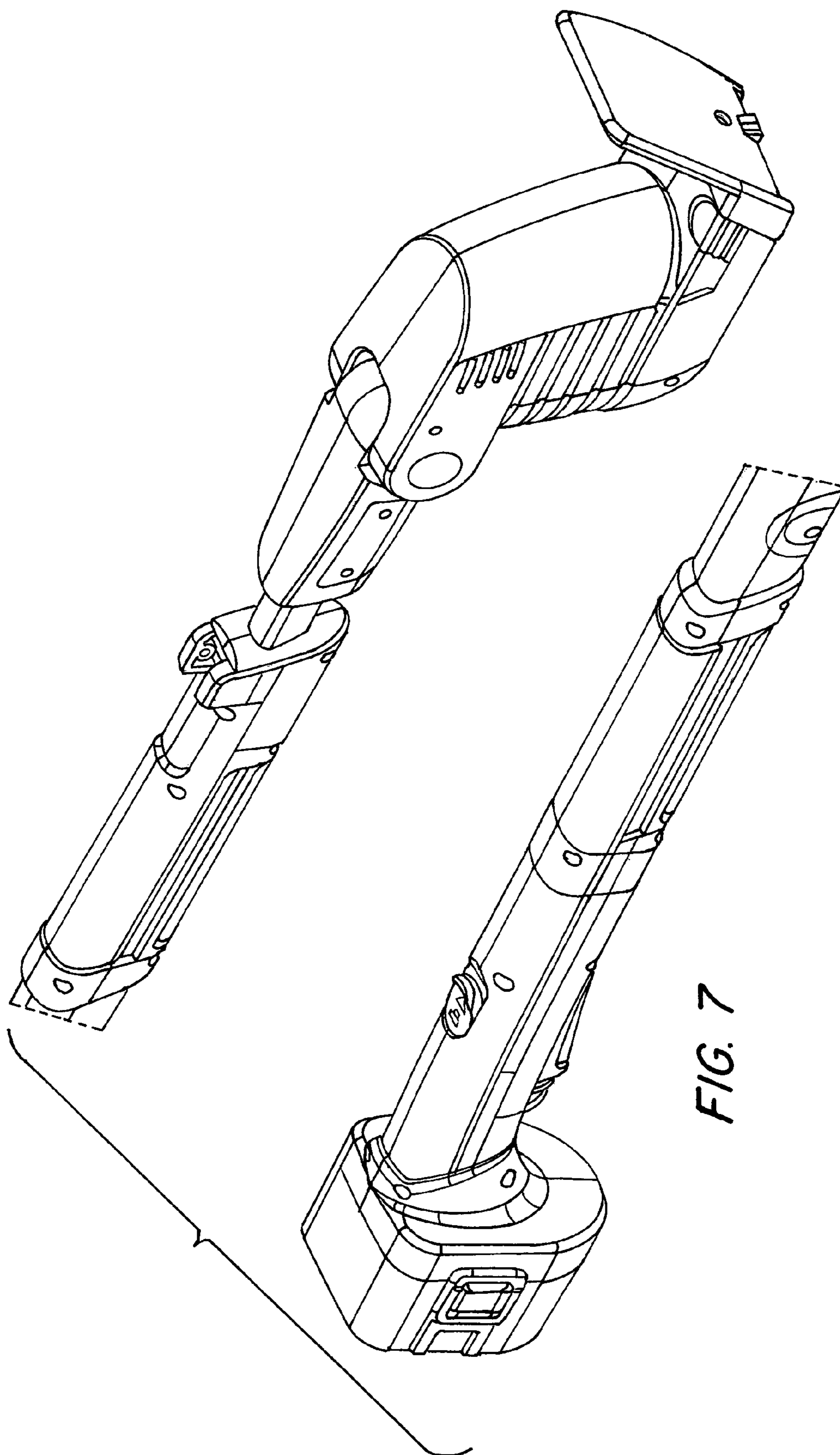


FIG. 7