

US00D598261S

(12) **United States Design Patent**  
**Waldron**

(10) **Patent No.:** **US D598,261 S**  
(45) **Date of Patent:** **\*\* Aug. 18, 2009**

(54) **POWERED PLANER**

(75) Inventor: **Michael Waldron**, Pocklington (GB)

(73) Assignee: **GMCA Pty Limited**, Victoria (AU)

(\*\*) Term: **14 Years**

(21) Appl. No.: **29/246,670**

(22) Filed: **May 2, 2006**

(51) **LOC (9) Cl.** ..... **08-01**

(52) **U.S. Cl.** ..... **D8/62**

(58) **Field of Classification Search** ..... D8/67,  
D8/62, 61; D32/15, 17, 19; D4/102; 451/456,  
451/451, 359, 358, 357, 356, 355, 354, 353,  
451/351, 344

See application file for complete search history.

(56) **References Cited**

**U.S. PATENT DOCUMENTS**

5,094,000	A *	3/1992	Becht et al. ....	30/475
6,159,085	A *	12/2000	Hara .....	451/451
D478,261	S *	8/2003	Sham .....	D8/62
6,688,349	B2 *	2/2004	Roshilavati Razlan et al. ...	144/ 154.5
D492,563	S *	7/2004	Wright .....	D8/62
D497,298	S *	10/2004	Tillman et al. ....	D8/62
D503,600	S *	4/2005	Bian .....	D8/62
D508,833	S *	8/2005	Brazell et al. ....	D8/62

D520,317	S *	5/2006	Robson .....	D8/62
D525,841	S *	8/2006	Lind et al. ....	D8/62
D529,357	S *	10/2006	Qiu .....	D8/62
2003/0168122	A1 *	9/2003	Razlan et al. ....	144/154.5
2005/0034782	A1 *	2/2005	Park et al. ....	144/154.5

\* cited by examiner

*Primary Examiner*—Cathron C Brooks

*Assistant Examiner*—Austin Murphy

(74) *Attorney, Agent, or Firm*—McKee, Voorhees & Sease, P.L.C.

(57) **CLAIM**

I claim the ornamental design for a powered planer, substantially as shown.

**DESCRIPTION**

FIG. 1 is a perspective view of the powered planer.

FIG. 2 is a side view of the powered planer.

FIG. 3 is a rear view of the powered planer.

FIG. 4 is a front view of the powered planer.

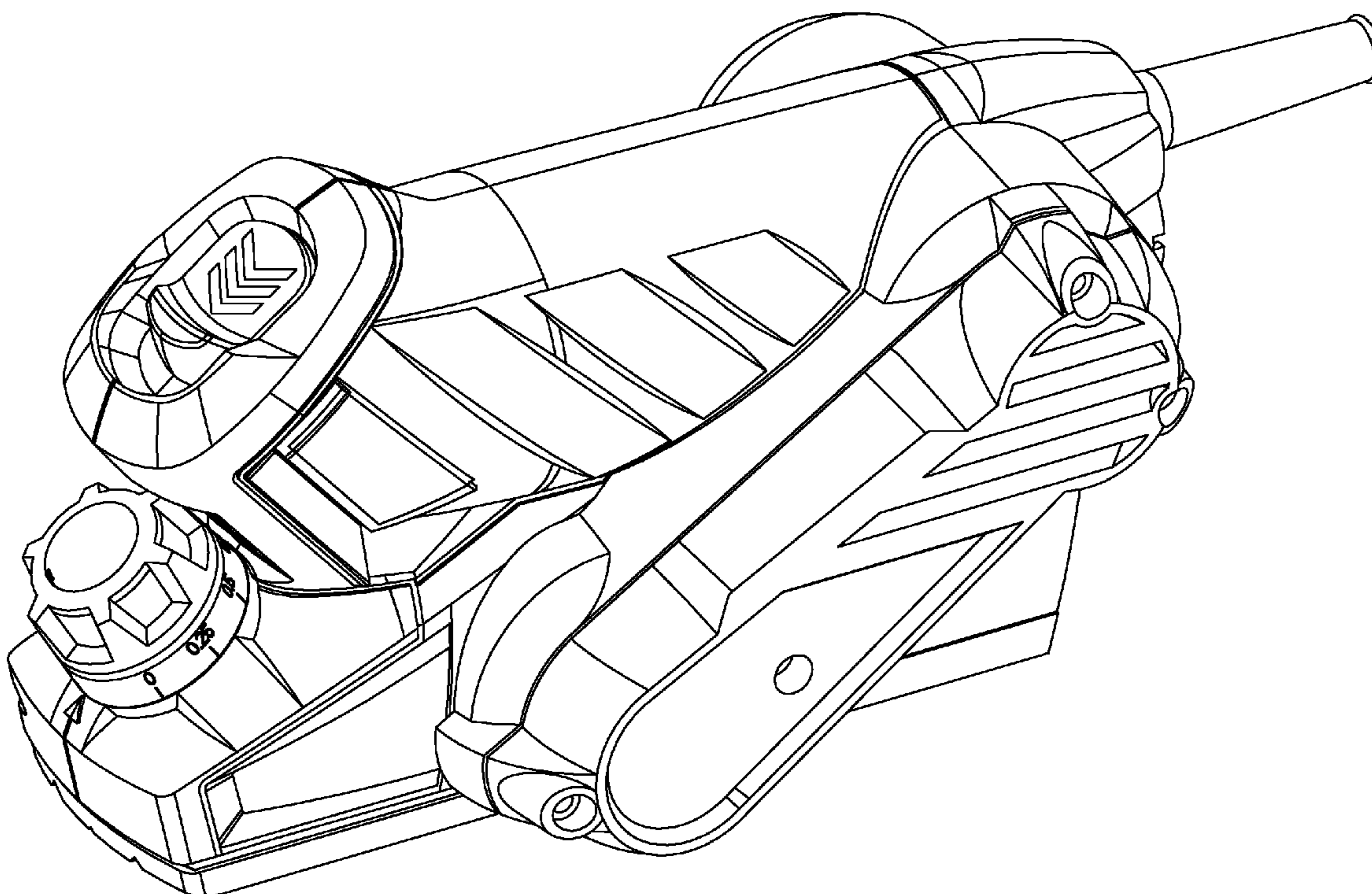
FIG. 5 is a top view of the powered planer.

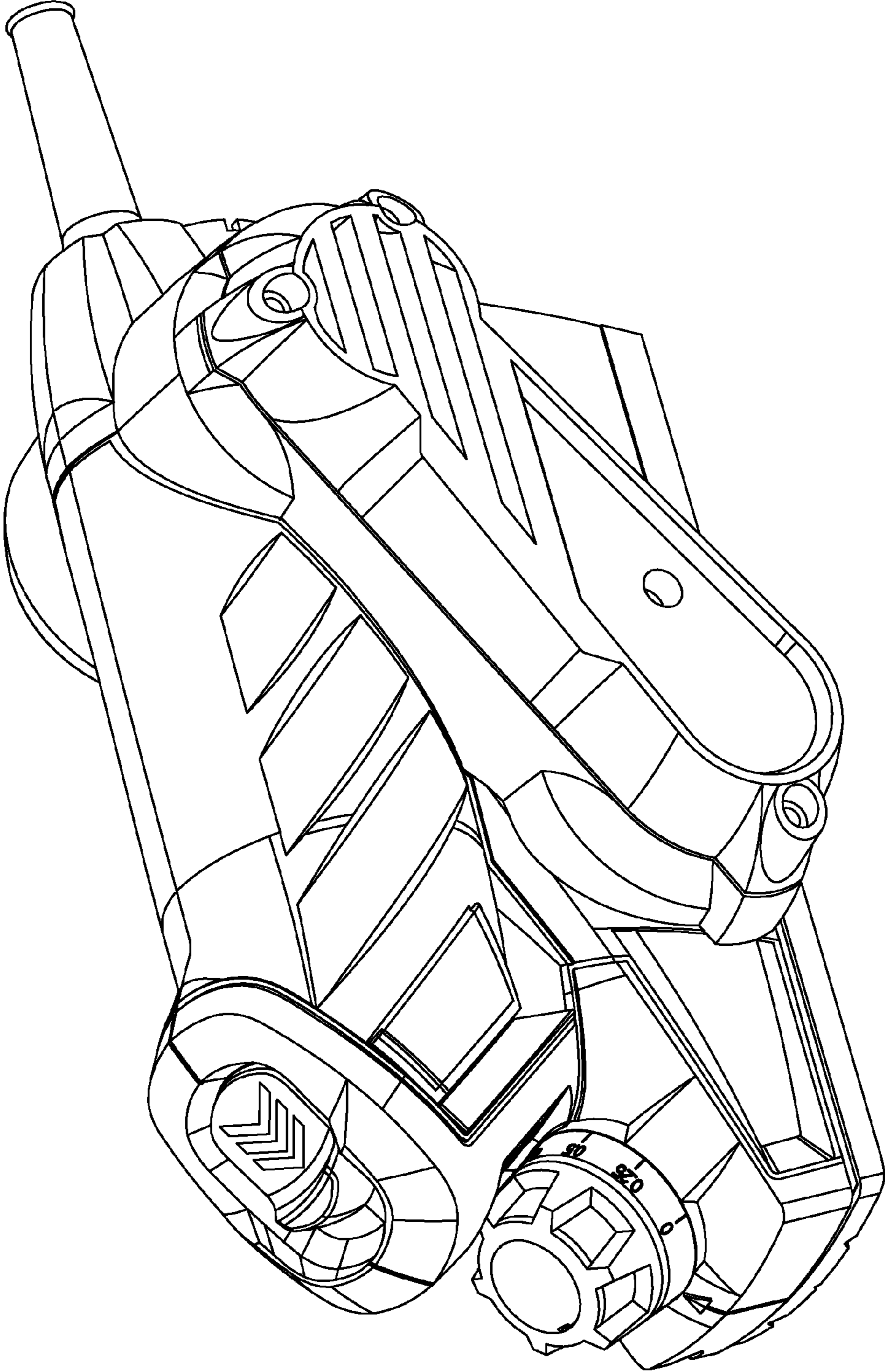
FIG. 6 is an bottom view of the powered planer; and,

FIG. 7 is an opposite side view of the powered planer.

The broken lines shown in the drawings form no part of the claimed design.

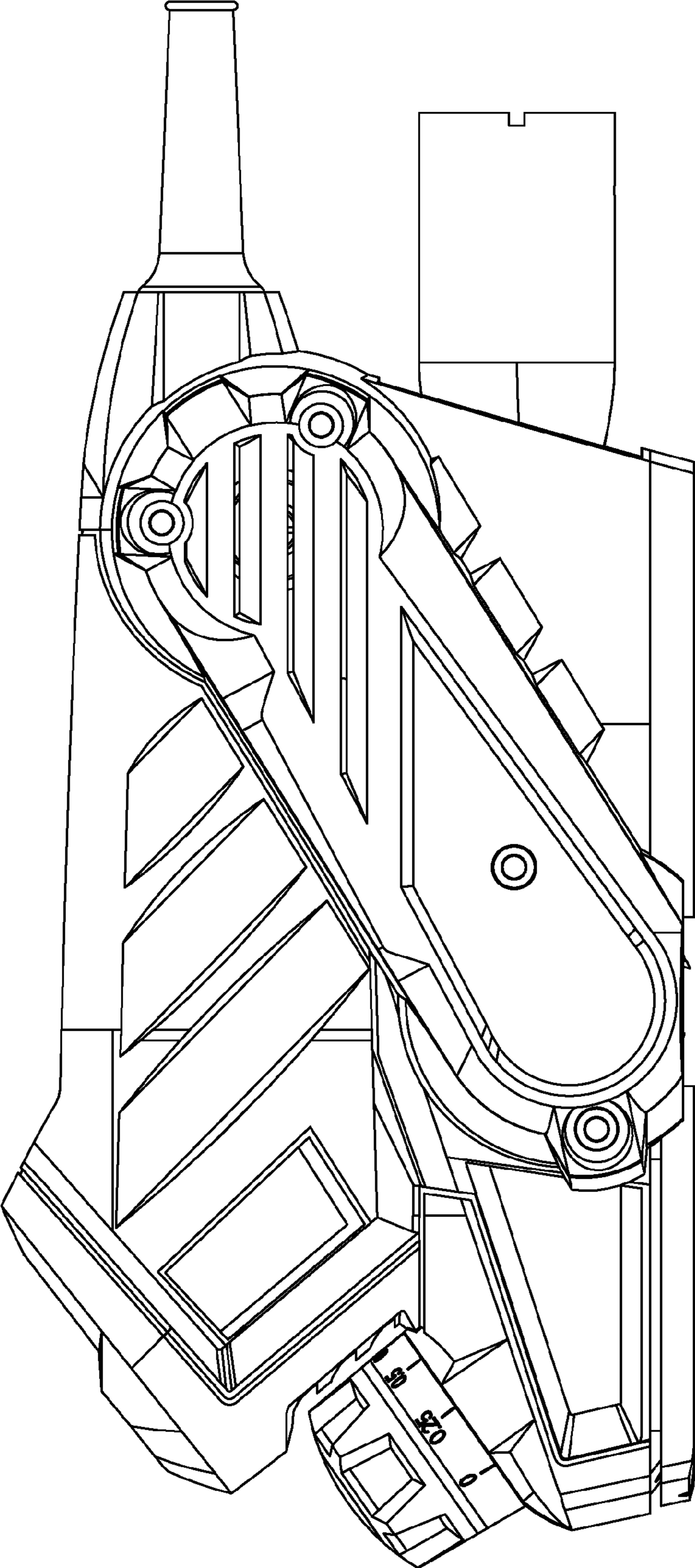
**1 Claim, 6 Drawing Sheets**



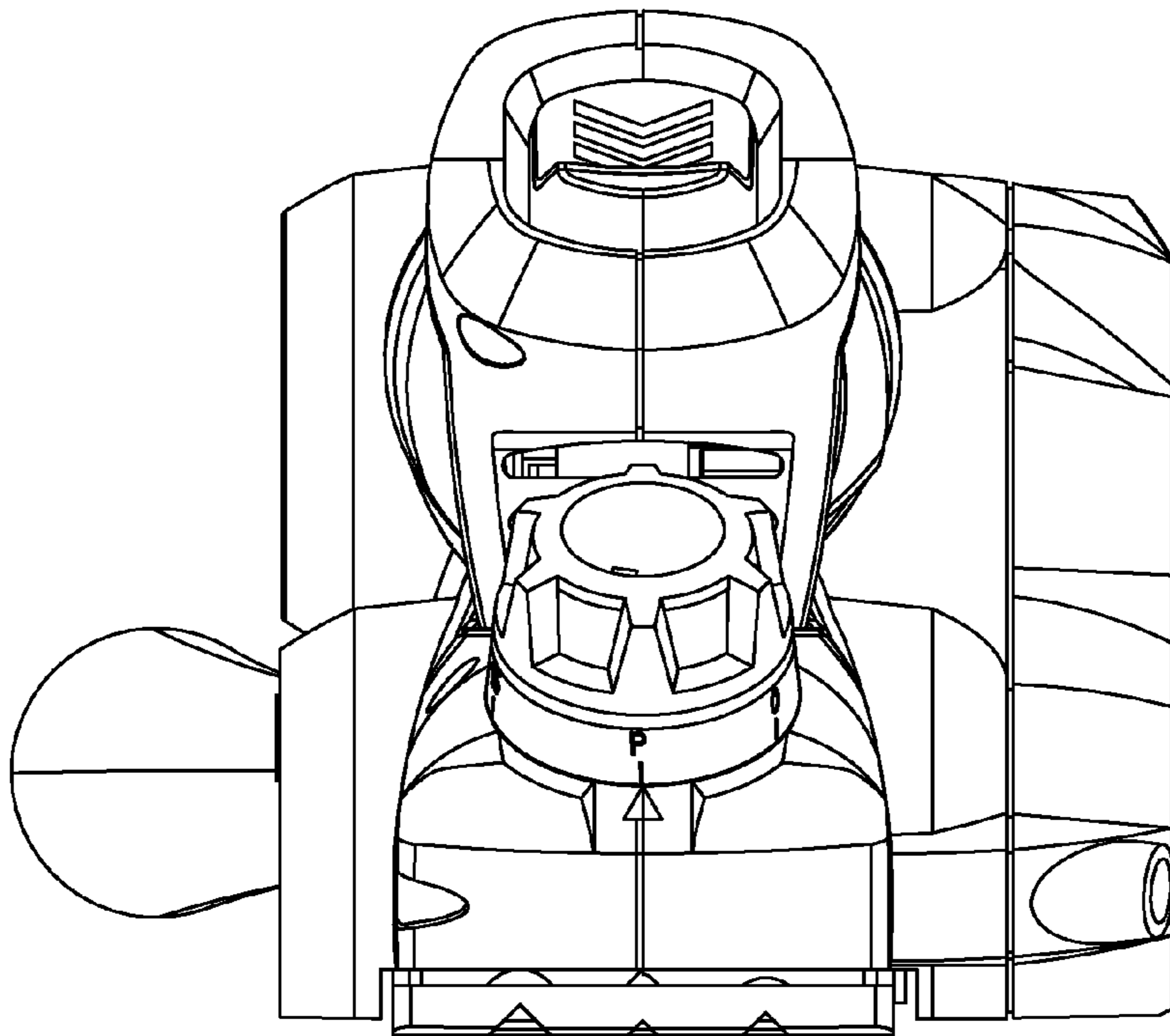


*Fig. 1*

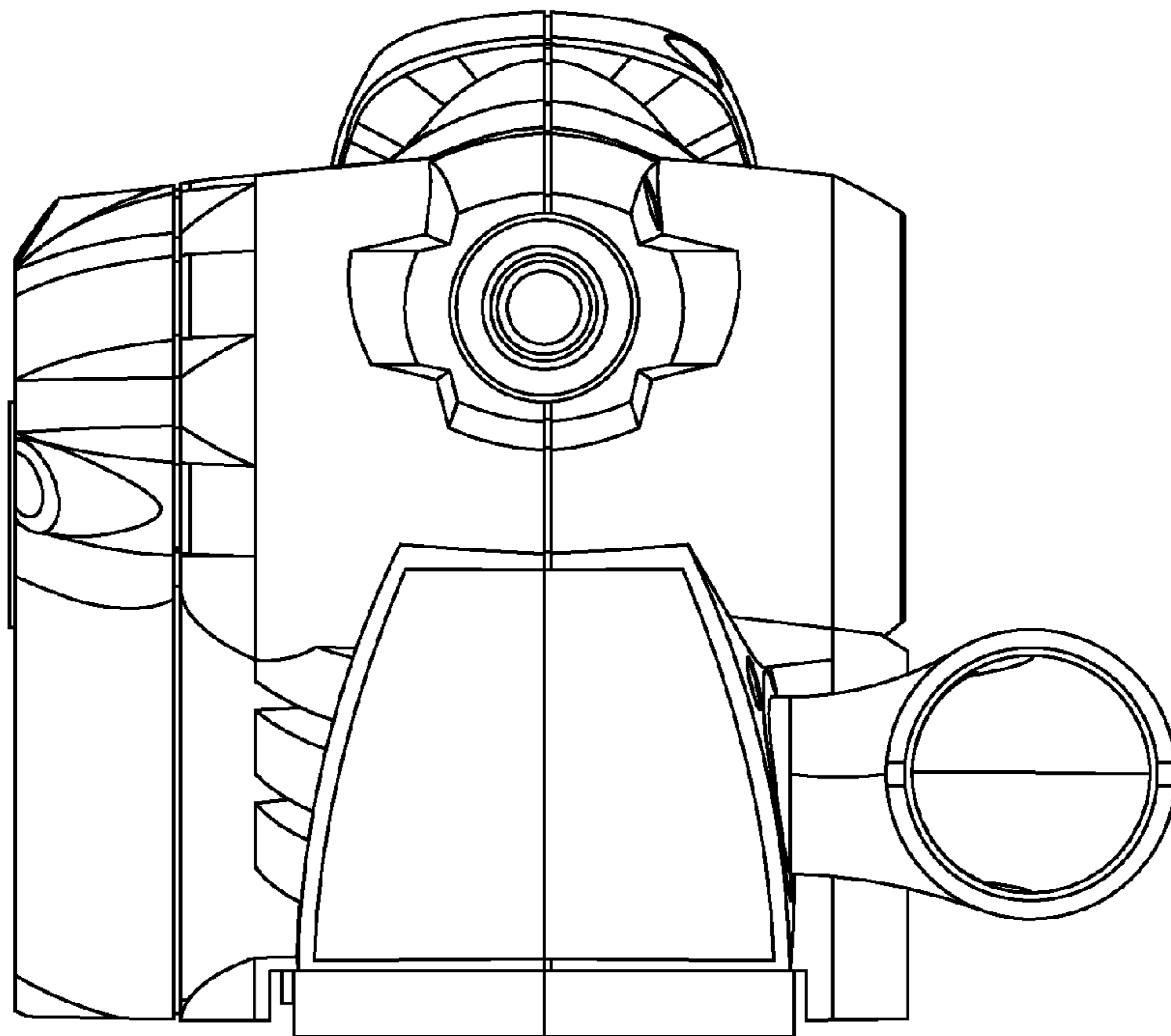




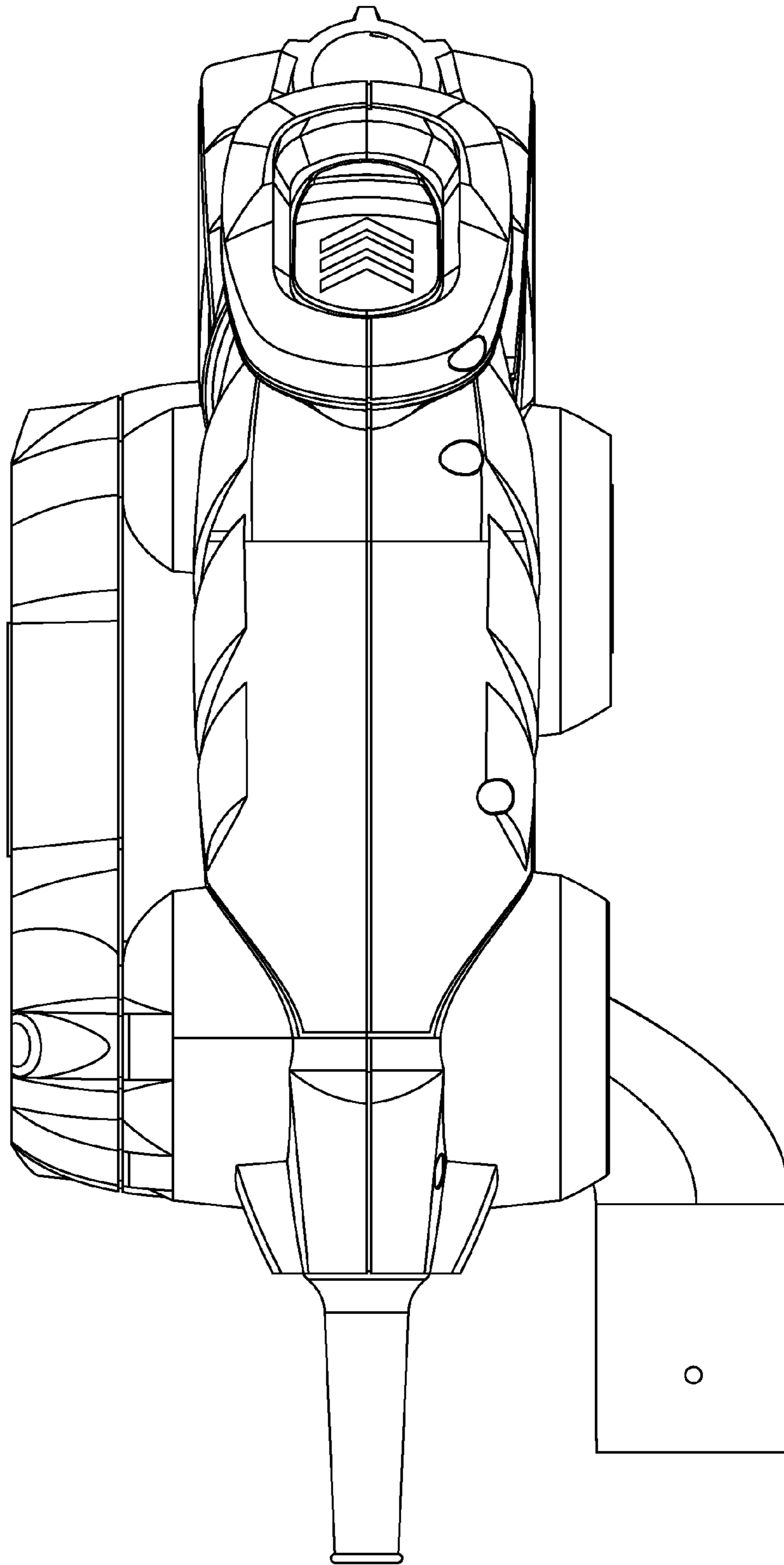
*Fig. 2*



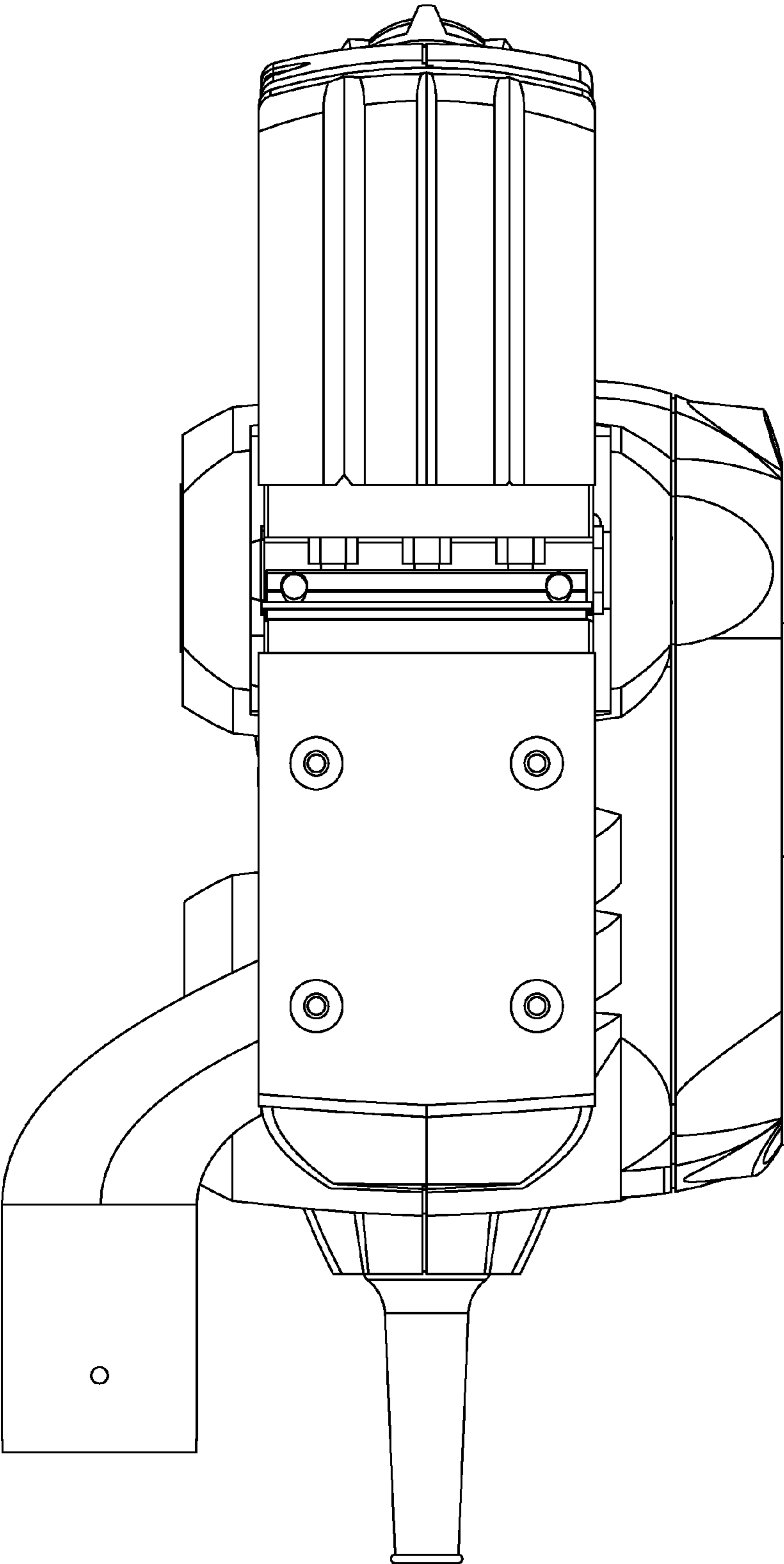
*Fig. 3*



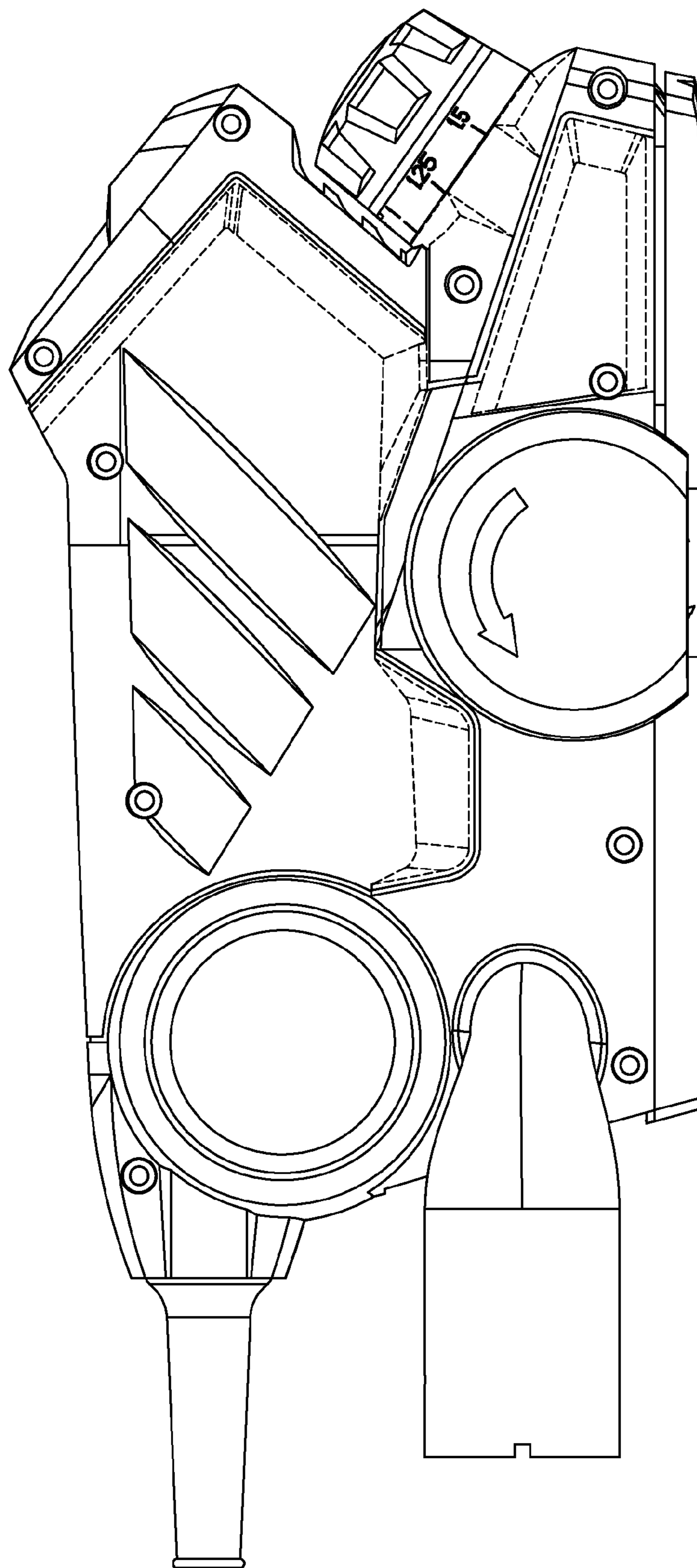
*Fig. 4*



*Fig. 5*



*Fig. 6*



*Fig. 7*