



US00D598259S

(12) **United States Design Patent**  
**Hamm et al.**

(10) **Patent No.:** **US D598,259 S**  
(45) **Date of Patent:** **\*\* Aug. 18, 2009**

(54) **DUAL OPERATION CRIMP AND PRESS  
JAWSET**

DE	36 17 834	3/1987
TW	453835	9/2001
TW	558228	10/2003
TW	D109884	4/2006
TW	D113005	9/2006

(75) Inventors: **James E. Hamm**, Grafton, OH (US);  
**Richard W. Ballas**, Vermillion, OH (US)

(73) Assignee: **Emerson Electric Co.**, St. Louis, MO  
(US)

(\*\*) Term: **14 Years**

(21) Appl. No.: **29/265,309**

(22) Filed: **Aug. 29, 2006**

**Related U.S. Application Data**

(63) Continuation-in-part of application No. 11/492,361,  
filed on Jul. 25, 2006, now Pat. No. 7,363,799.

(51) **LOC (9) Cl.** ..... **08-05**

(52) **U.S. Cl.** ..... **D8/52**

(58) **Field of Classification Search** ..... D8/4,  
D8/14, 51, 52, 54-56, 58, 60, 5, 107, 75-81;  
7/125-137, 143-147; 81/300, 342, 348,  
81/355-362, 364-366, 385-404, 407-418,  
81/424.5, 426, 426.5, 427, 427.5  
See application file for complete search history.

(56) **References Cited**

**U.S. PATENT DOCUMENTS**

1,084,935	A	1/1914	Flora et al.	
1,105,191	A	7/1914	Flora et al.	
1,498,488	A	6/1924	Stallings	
1,653,340	A	12/1927	Carolus	
2,086,400	A	7/1937	Brenizer	
2,244,482	A	6/1941	Baxter et al.	
2,614,304	A	1/1952	Oetiker	
2,685,130	A *	8/1954	Tibbetts	30/193
2,735,322	A	2/1956	Meisler	

(Continued)

**FOREIGN PATENT DOCUMENTS**

DE 32 47 073 3/1984

**OTHER PUBLICATIONS**

Search Report for New Design Patent Application, ROC (Taiwan)  
New Design Patent Application No. 096301149 (Translation), Mar.  
31, 2008, 2 pages.

*Primary Examiner*—Cathron C Brooks

*Assistant Examiner*—Deanna Fluegeman

(74) *Attorney, Agent, or Firm*—Rankin, Hill & Clark LLP

(57) **CLAIM**

The ornamental design for a dual operation crimp and press  
jawset, as shown and described.

**DESCRIPTION**

FIG. 1 is a front perspective view of an assembled jawset in  
accordance with a second embodiment;

FIG. 2 is a rear perspective view of the assembled jawset of  
FIG. 1;

FIG. 3 is a top plan view of the assembled jawset of FIGS. 1  
and 2;

FIG. 4 is a bottom plan view of the opposite side of the  
assembled jawset of FIGS. 1 and 2 rotated one half turn;

FIG. 5 is a front elevational view of the assembled jawset of  
FIGS. 1 and 2;

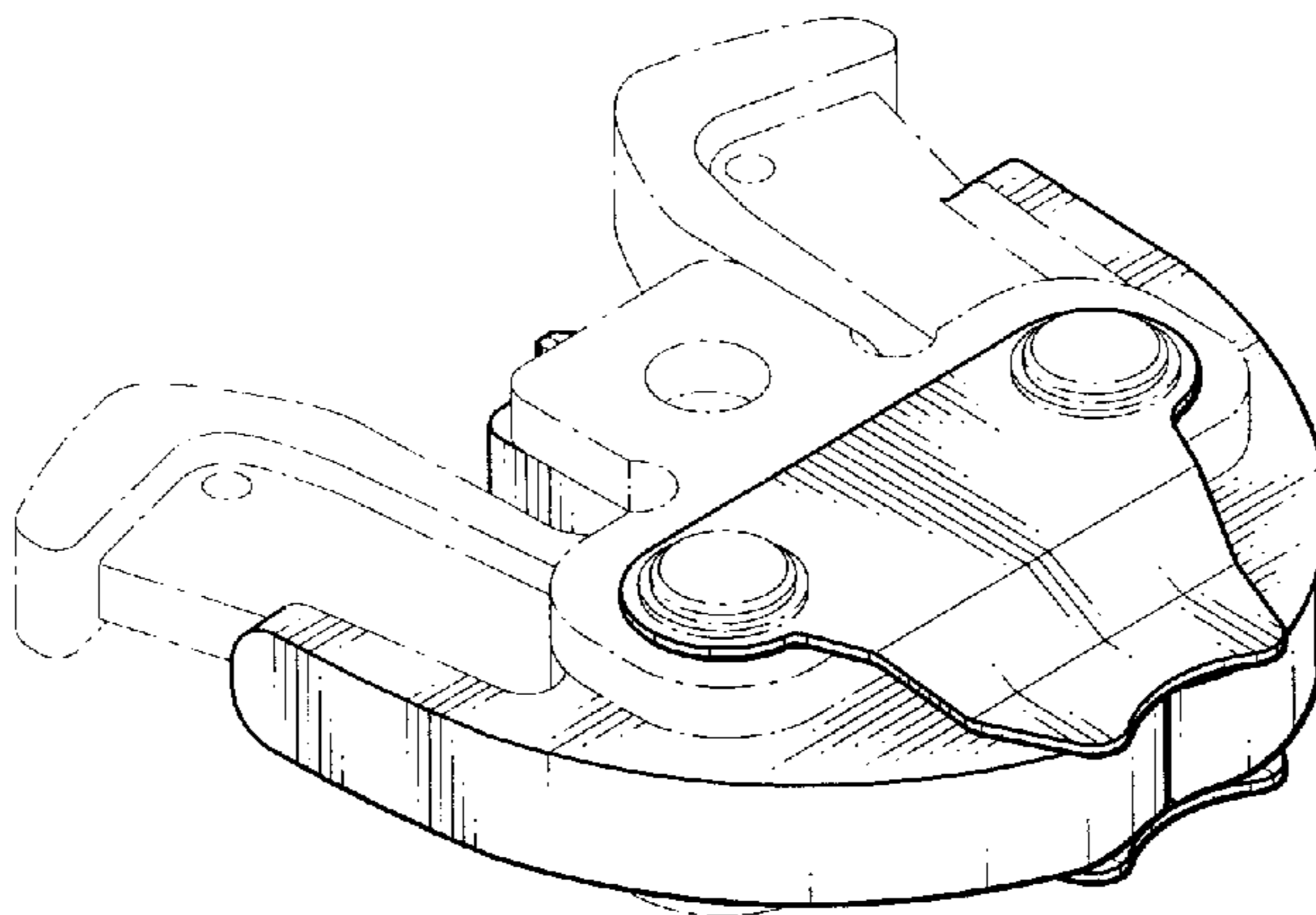
FIG. 6 is a rear elevational view of the assembled jawset of  
FIGS. 1 and 2;

FIG. 7 is a side elevational view of the assembled jawset of  
FIGS. 1 and 2; and,

FIG. 8 is a side elevational view of the opposite side of the  
assembled jawset of FIGS. 1 and 2 rotated one half turn.

The dot and dash lines in FIGS. 1-8 are for illustrative pur-  
poses only showing environmental subject matter and form  
no part of the claimed designs.

**1 Claim, 3 Drawing Sheets**



# US D598,259 S

Page 2

## U.S. PATENT DOCUMENTS

2,747,446	A	5/1956	Eder			5,195,353	A 3/1993 Erbrick et al.
2,910,900	A	11/1959	Klein			5,282,295	A 2/1994 Oetiker
3,120,772	A *	2/1964	Mixon, Jr. ....	72/409.14		5,410,903	A 5/1995 Schneider
D201,915	S *	8/1965	Werner .....	D8/58		5,669,113	A 9/1997 Fay
3,216,291	A	11/1965	Madeira			5,898,998	A * 5/1999 Deville ..... 30/193
3,257,874	A	6/1966	Madeira			D416,458	S 11/1999 Kun-Meng
3,345,856	A	10/1967	Werner et al.			6,128,943	A * 10/2000 Lemmens ..... 72/409.01
3,402,436	A	9/1968	Oetiker			D436,815	S 1/2001 Yang
3,704,620	A	12/1972	Allen			6,226,874	B1 5/2001 Jansson
3,706,219	A	12/1972	Hoffman et al.			6,434,998	B2 8/2002 Amherd
4,111,022	A	9/1978	Kruschel			7,000,448	B2 2/2006 Hamm et al.
4,144,737	A *	3/1979	Izraeli .....	72/409.11		D532,672	S * 11/2006 Steiner ..... D8/107
4,545,234	A *	10/1985	Schnellmann .....	72/409.11		D534,412	S * 1/2007 Steiner ..... D8/107
4,610,187	A	9/1986	Spaulding			7,188,508	B2 * 3/2007 Bowles et al. .... 72/416
4,633,558	A	1/1987	Spaulding			7,260,975	B2 * 8/2007 Hamm et al. .... 72/416
4,724,729	A	2/1988	Oetiker			7,363,799	B2 * 4/2008 Hamm et al. .... 72/452.8
4,742,736	A	5/1988	Williams			7,421,871	B2 * 9/2008 Goop ..... 72/20.1
4,751,862	A	6/1988	Winfrey			2001/0013243	A1 * 8/2001 Amherd ..... 72/416
4,884,432	A	12/1989	Watson			2003/0167881	A1 9/2003 Chauffeteau et al.
4,987,652	A	1/1991	Spaulding			2006/0179912	A1 * 8/2006 Hamm et al. .... 72/416
5,070,580	A	12/1991	Oetiker			2006/0277967	A1 * 12/2006 Ballas et al. .... 72/416
5,081,769	A *	1/1992	Juros .....	30/261		2007/0214859	A1 * 9/2007 Bowles et al. .... 72/412
						2008/0022750	A1 * 1/2008 Hamm et al. .... 72/452.1

\* cited by examiner

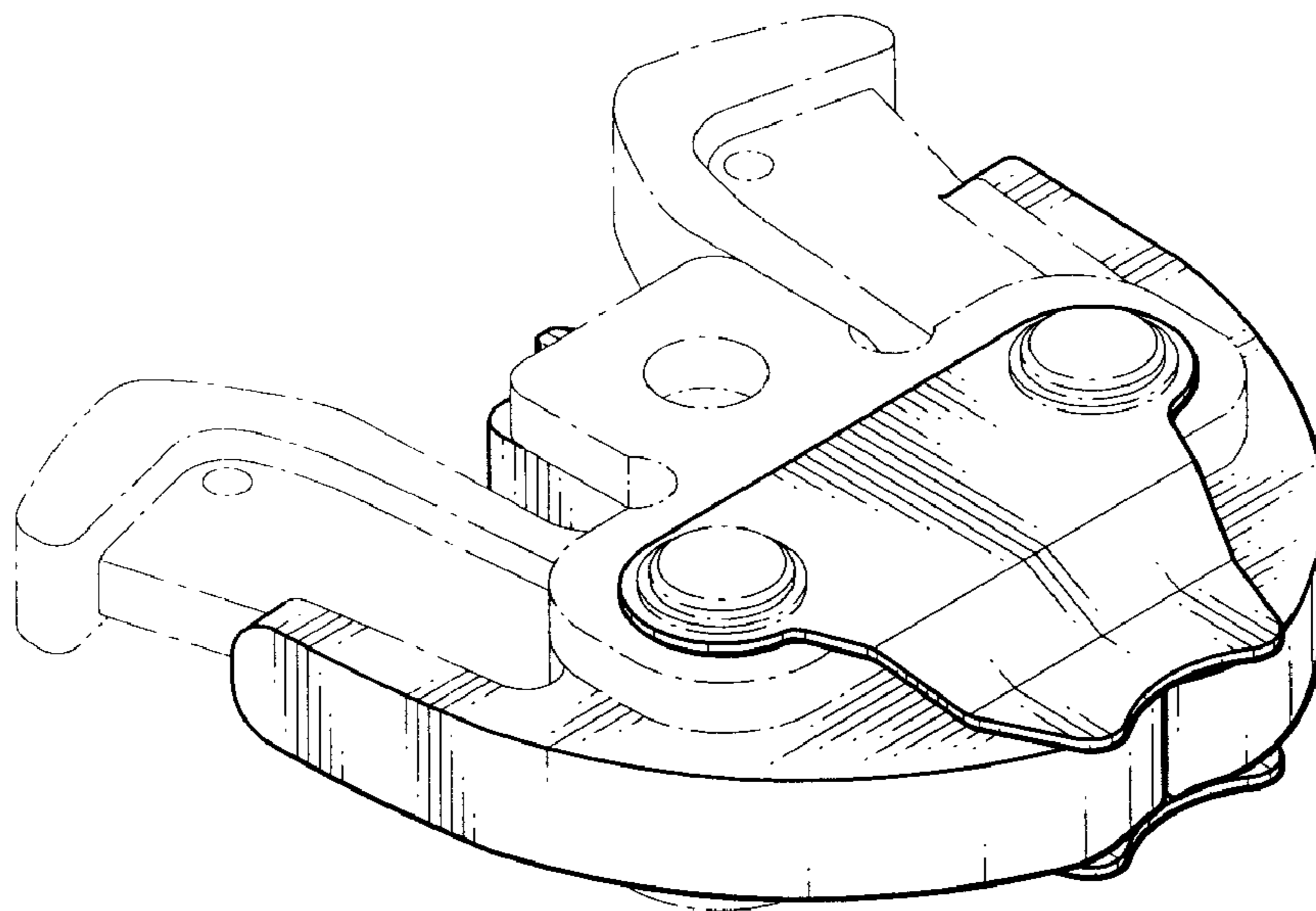


FIG. 1

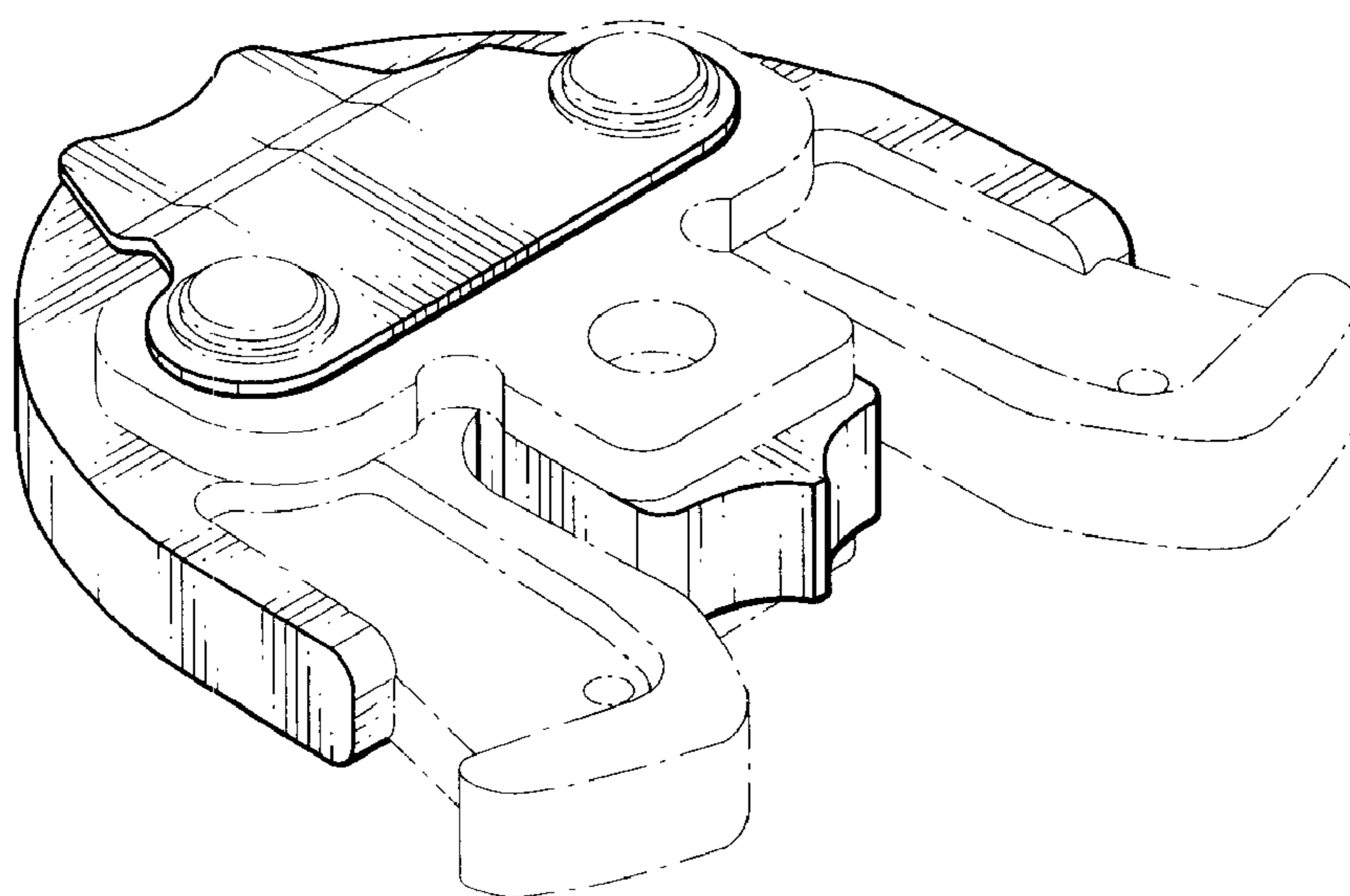


FIG. 2

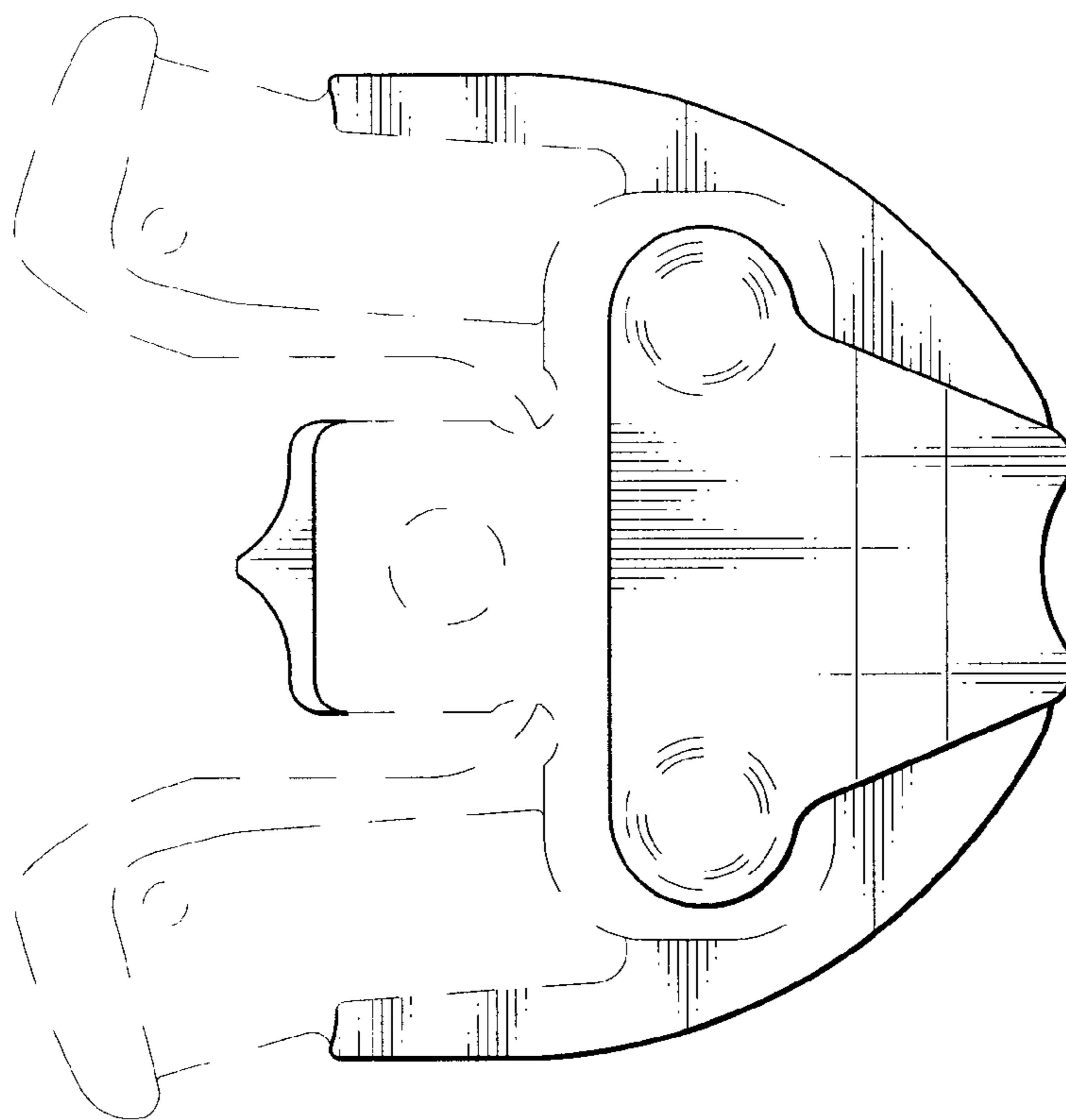


FIG. 3

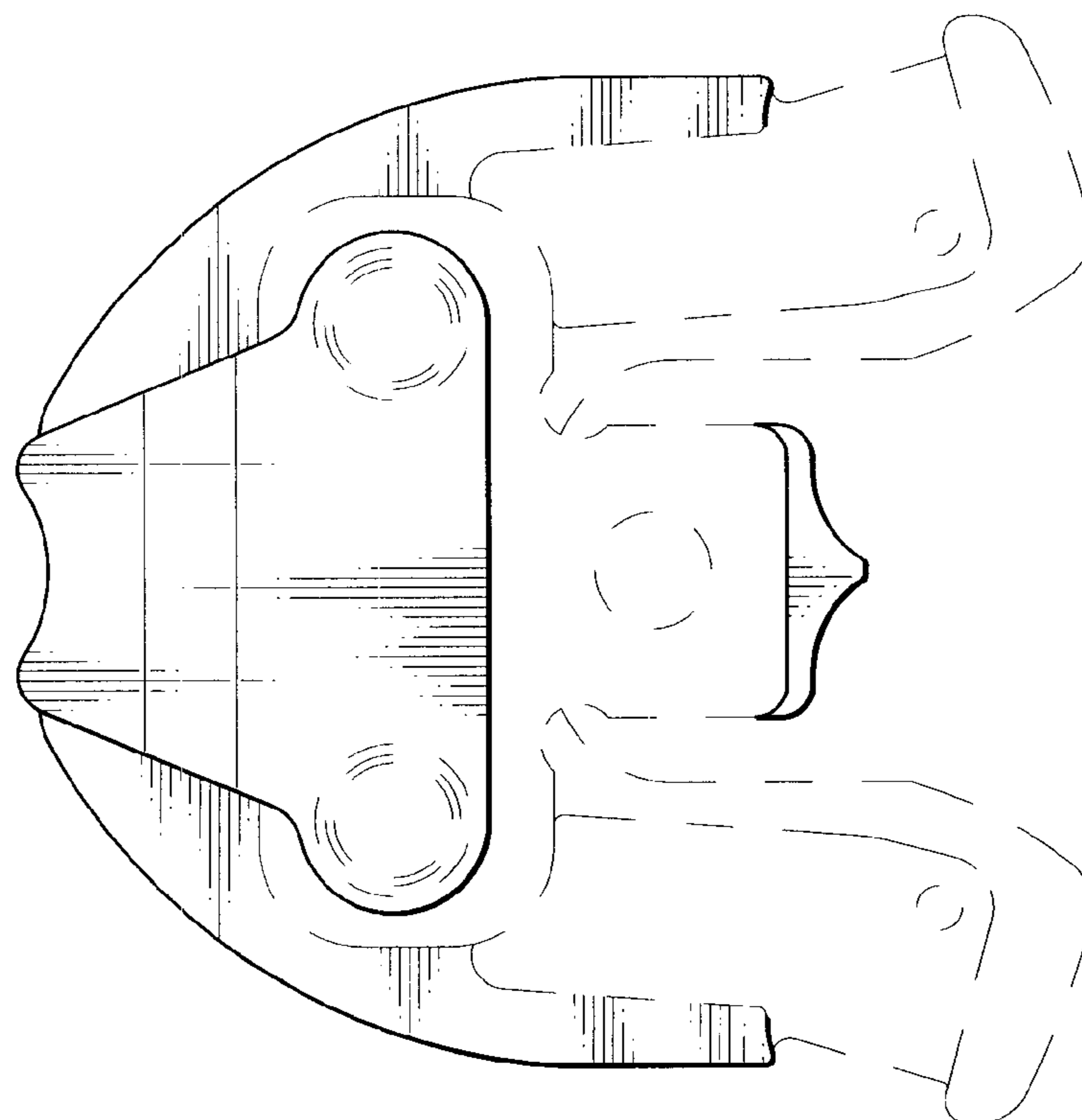


FIG. 4



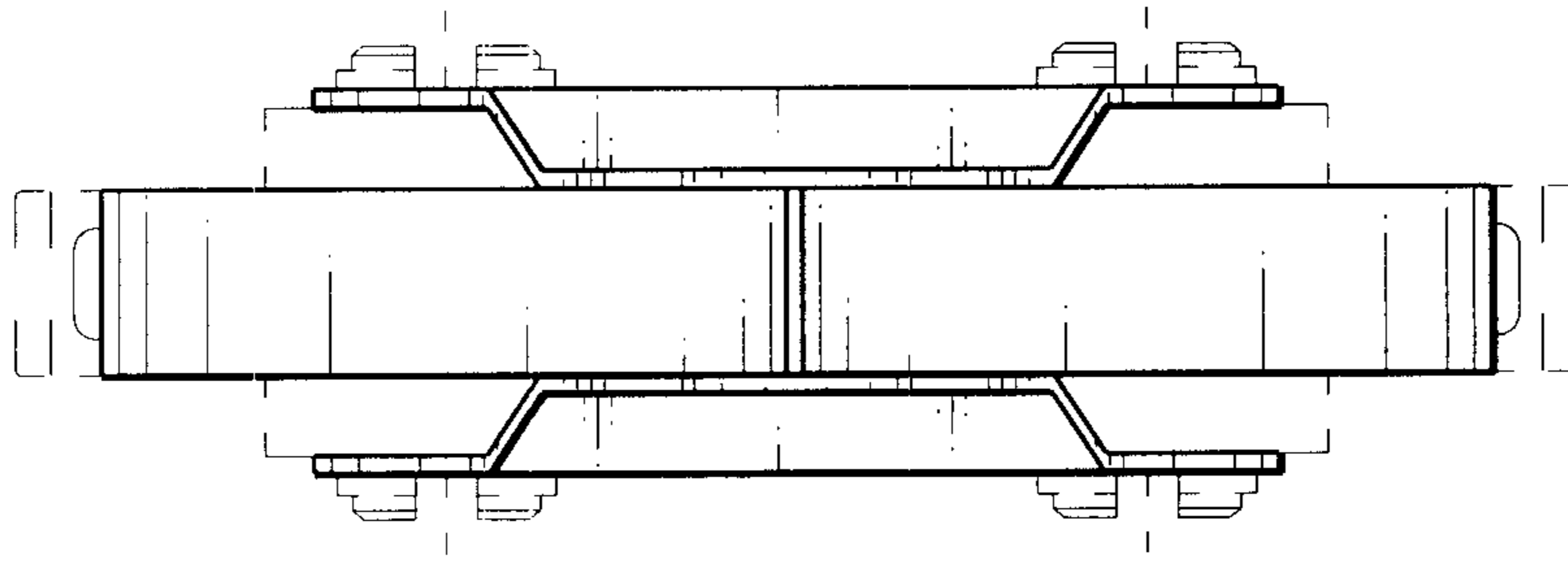


FIG. 5

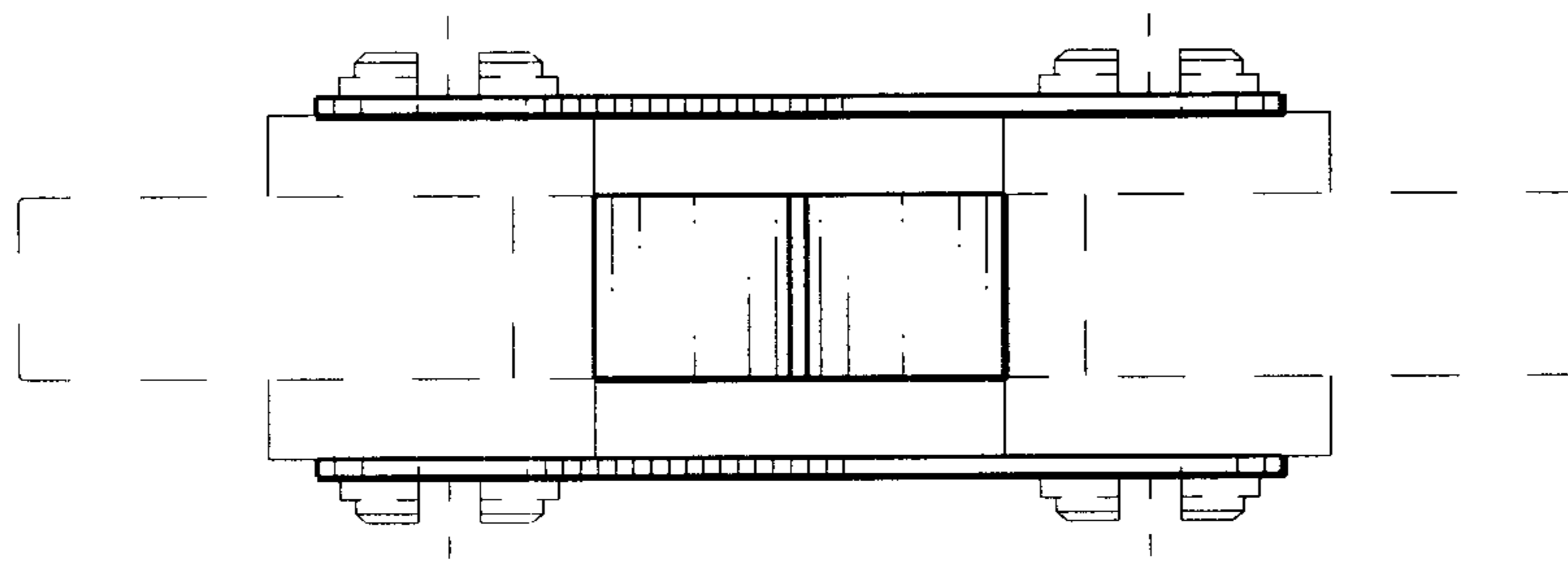


FIG. 6

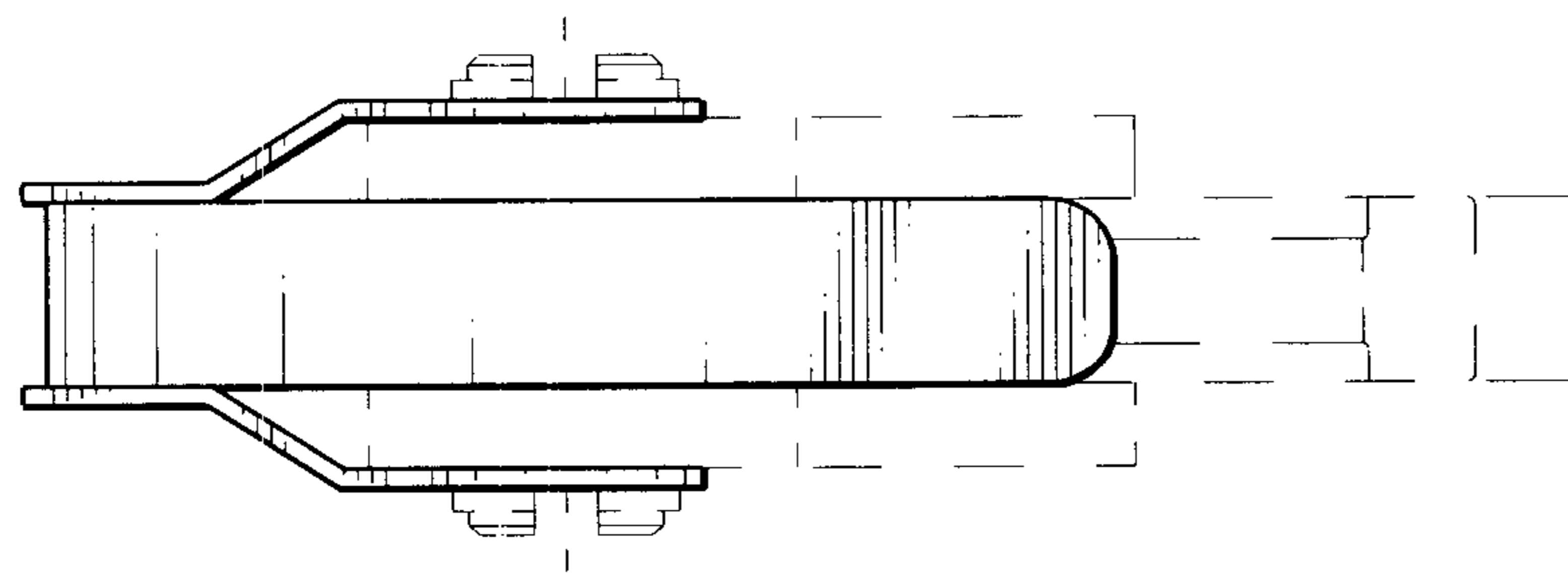


FIG. 7

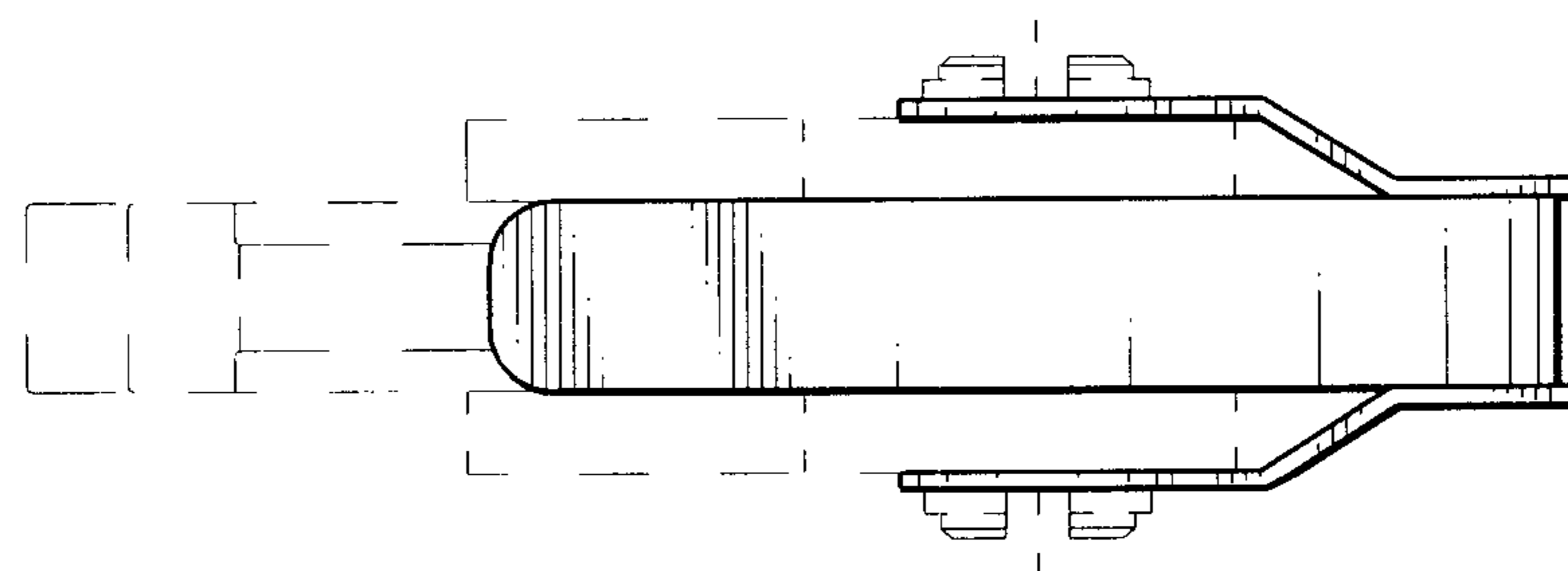


FIG. 8