



US00D598258S

(12) **United States Design Patent**  
**Chan**

(10) **Patent No.:** **US D598,258 S**

(45) **Date of Patent:** **\*\* Aug. 18, 2009**

(54) **CORK EXTRACTOR**

(75) Inventor: **Sik Leung Chan**, Tsuen Wan (HK)

(73) Assignee: **C.C. & L Company Limited**, Tsuen Wan, N.T. (HK)

(\*\*) Term: **14 Years**

(21) Appl. No.: **29/313,710**

(22) Filed: **Feb. 4, 2009**

**Related U.S. Application Data**

(63) Continuation-in-part of application No. 12/079,852, filed on Mar. 28, 2008.

(51) **LOC (9) Cl.** ..... **07-06**

(52) **U.S. Cl.** ..... **D8/42**

(58) **Field of Classification Search** ..... D8/14,  
D8/18, 33-43; 7/151-156; 81/3.07, 3.09,  
81/3.2, 3.27, 3.29, 3.35, 3.37, 3.4, 3.45, 3.48,  
81/3.49, 3.55

See application file for complete search history.

(56) **References Cited**

**U.S. PATENT DOCUMENTS**

D288,521	S	*	3/1987	Van Asten	.....	D8/42
D428,567	S	*	7/2000	Harris	.....	D8/33
D491,429	S	*	6/2004	Simons	.....	D8/42
D498,651	S	*	11/2004	Bates et al.	.....	D8/42
6,978,696	B2	*	12/2005	Yu	.....	81/3.29
D526,866	S	*	8/2006	Bates et al.	.....	D8/42
D558,545	S	*	1/2008	Chan et al.	.....	D8/42
D558,546	S	*	1/2008	Chan et al.	.....	D8/42

\* cited by examiner

*Primary Examiner*—Caron Veynar

*Assistant Examiner*—Garth Rademaker

(74) *Attorney, Agent, or Firm*—Daniel P. Burke & Associates, PLLC

(57) **CLAIM**

The ornamental design for a cork extractor, as shown and described.

**DESCRIPTION**

FIG. 1 is a front, right side perspective view of a cork extractor showing my new design with the handle in a storage position;

FIG. 2 is a rear, left side perspective view of the cork extractor of FIG. 1 with the handle in a storage position;

FIG. 3 is a front, right side perspective view of the cork extractor of FIG. 1 with the handle in the operating position;

FIG. 4 is a front, right side perspective view of the cork extractor of FIG. 1 with the handle in the operating position and rotated counterclockwise almost 360 degrees relative to the position shown in FIG. 3;

FIG. 5 is a rear, right side perspective view of the cork extractor of FIG. 1 with the handle in the operating position shown in FIG. 3;

FIG. 6 is a rear, left side perspective view of the cork extractor of FIG. 1 with the handle in the operating position shown in FIG. 3;

FIG. 7 is a front, left side perspective view of the cork extractor of FIG. 1 with the handle in the operating position shown in FIG. 3;

FIG. 8 is a front view of the cork extractor of FIG. 1 with the handle in the operating position shown in FIG. 3;

FIG. 9 is a right side view of the cork extractor of FIG. 1 with the handle in the operating position shown in FIG. 3;

FIG. 10 is a left side view of the cork extractor of FIG. 1 with the handle in the operating position shown in FIG. 3;

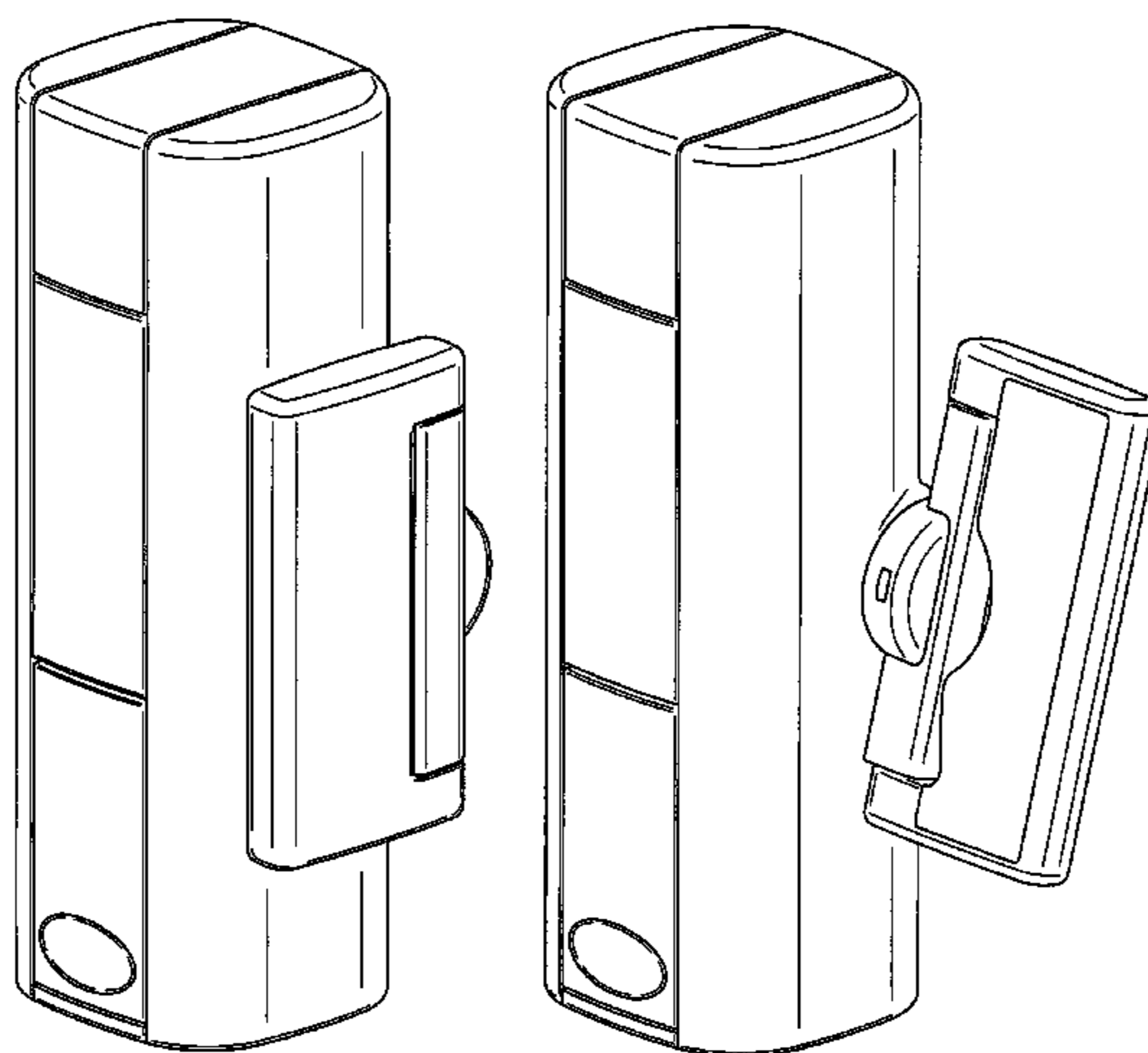
FIG. 11 is a top view of the cork extractor of FIG. 1 with the handle in the operating position shown in FIG. 3;

FIG. 12 is a bottom view of the cork extractor of FIG. 1 with the handle in the operating position shown in FIG. 3; and,

FIG. 13 is a rear view of the cork extractor of FIG. 1 with the handle in the operating position shown in FIG. 3.

The broken lines depict environmental subject matter only and form no part of the claimed design.

**1 Claim, 13 Drawing Sheets**



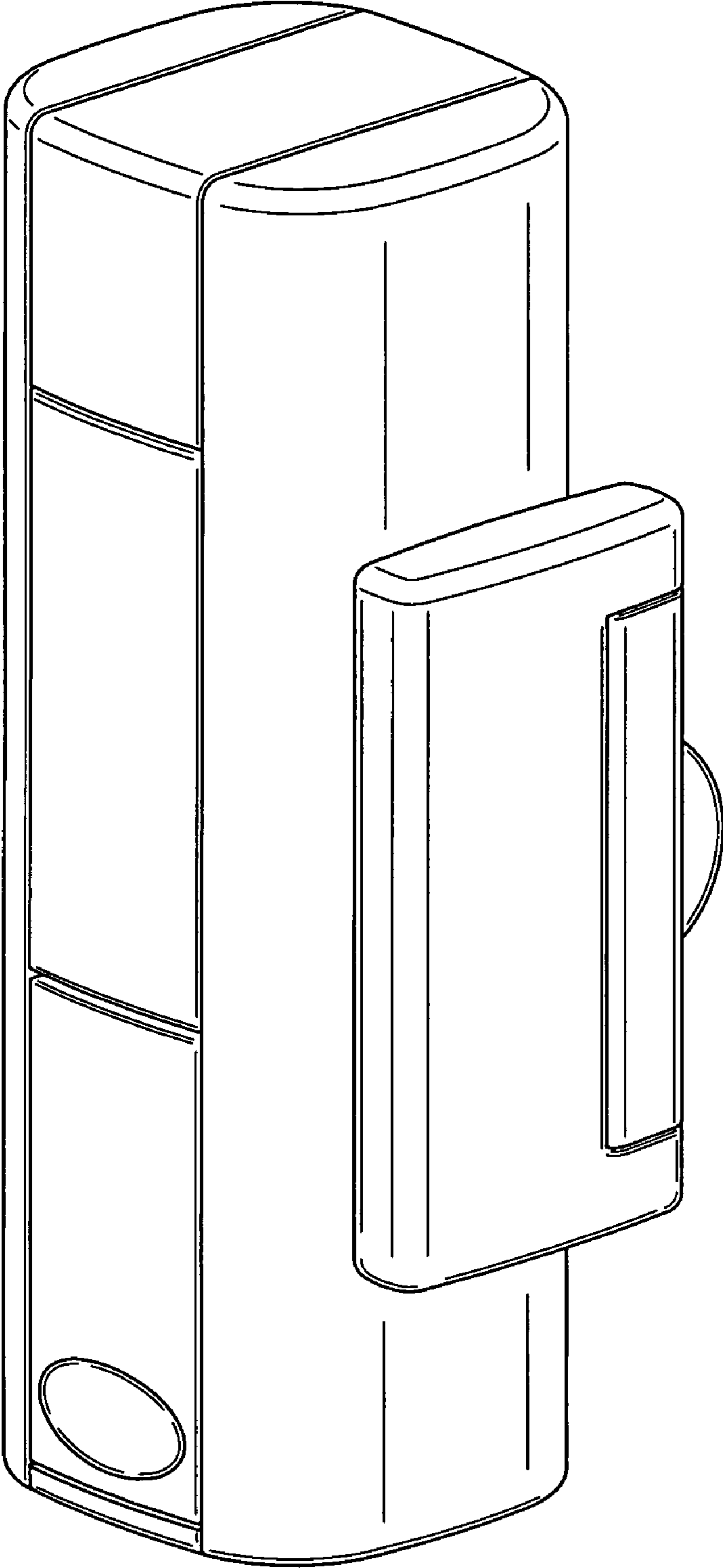


FIG. 1

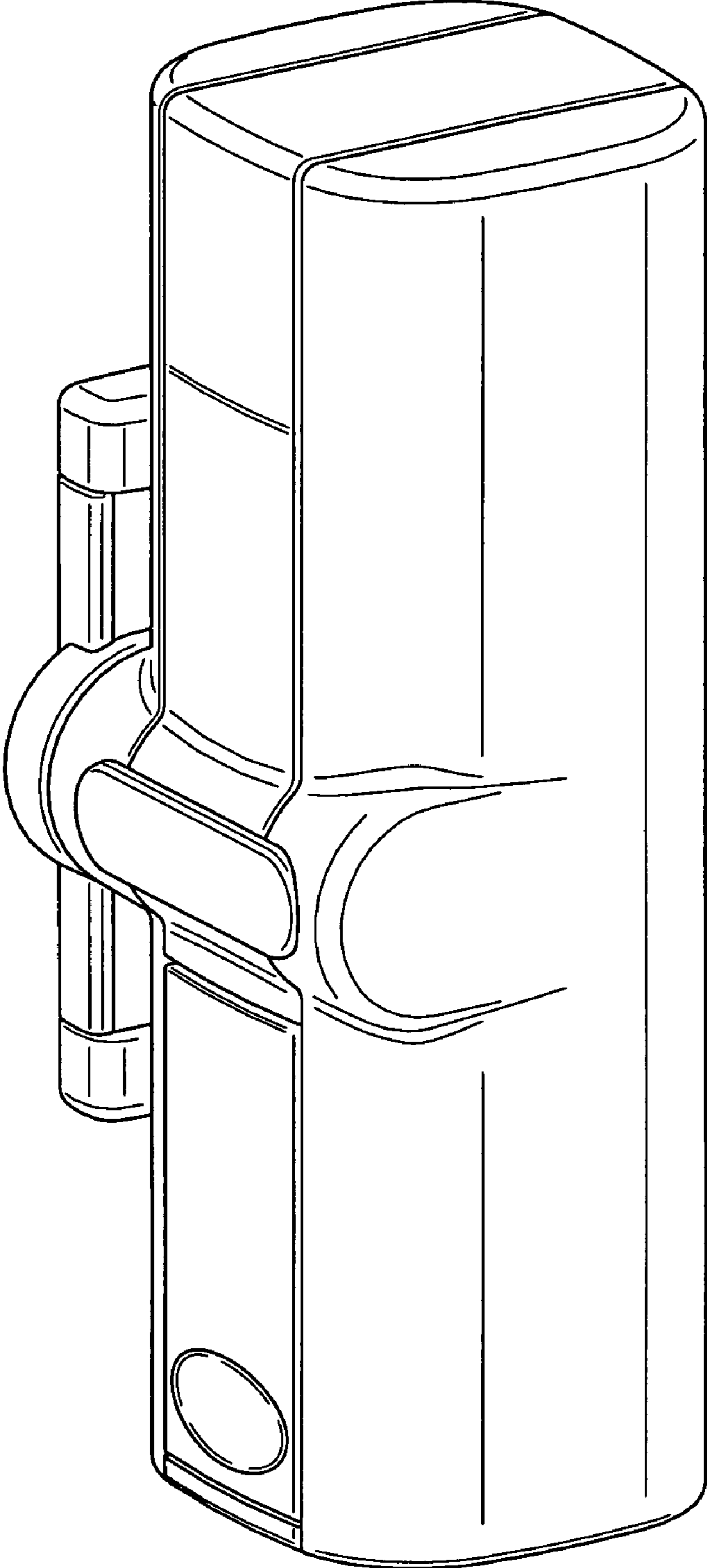


FIG. 2

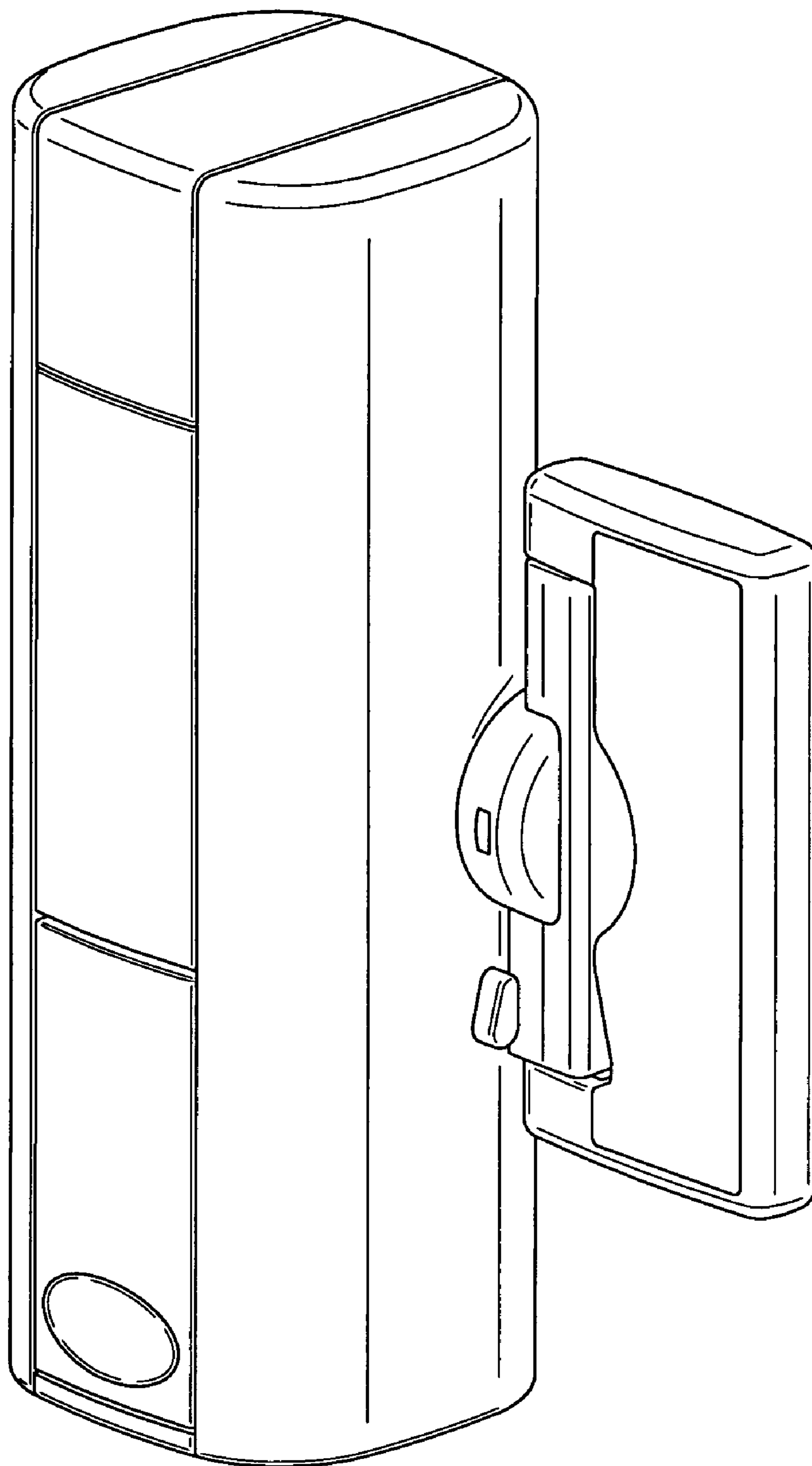


FIG. 3

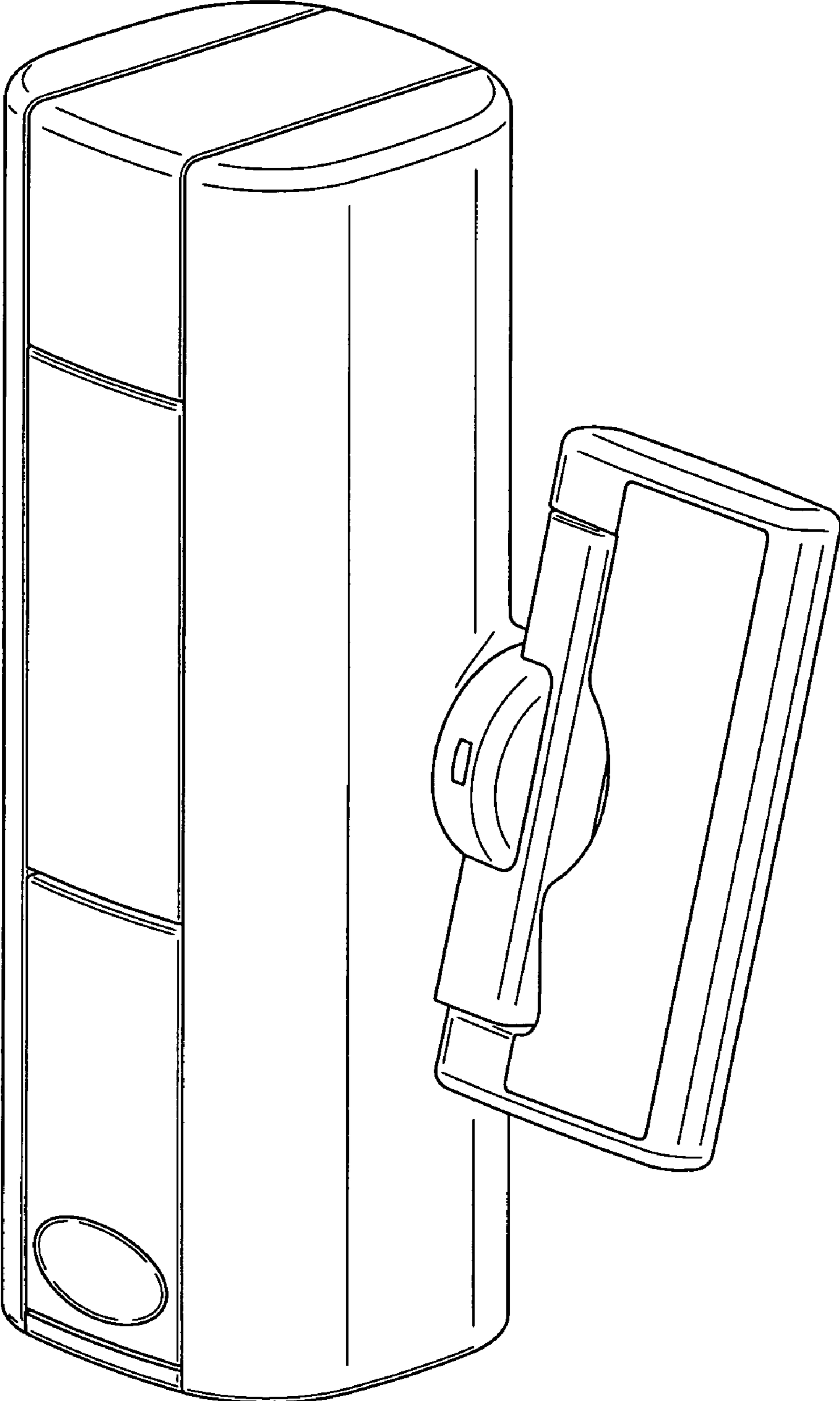
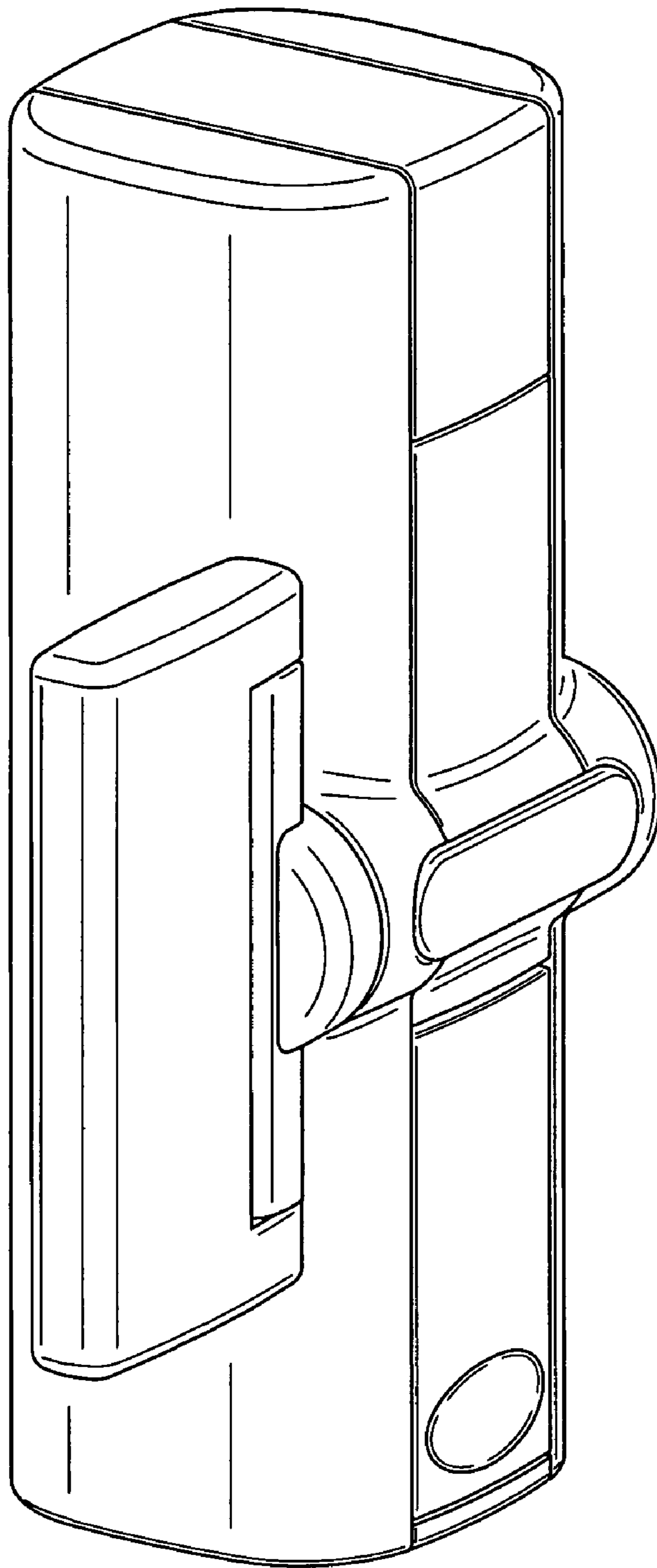


FIG. 4



**FIG. 5**

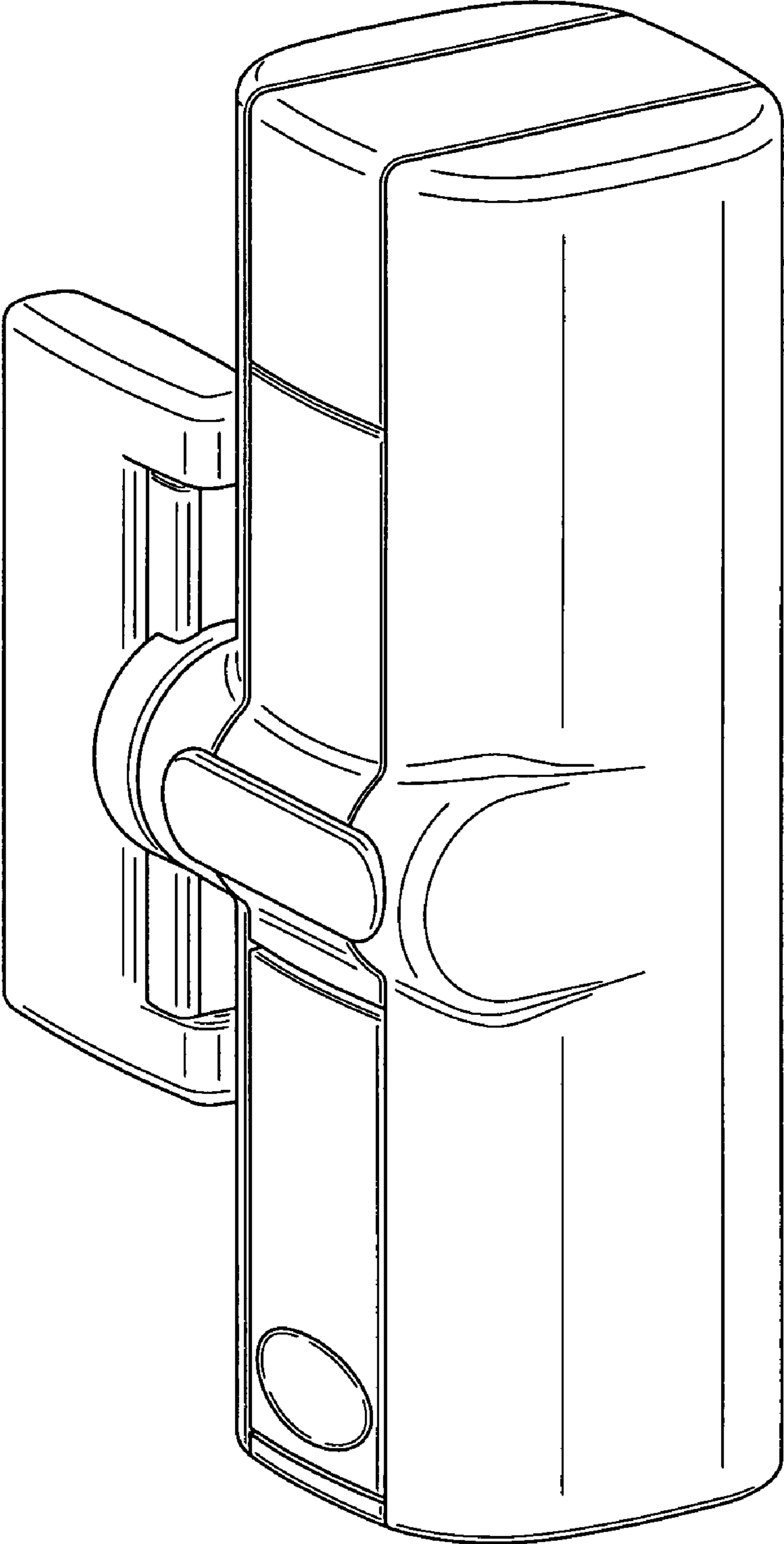


FIG. 6

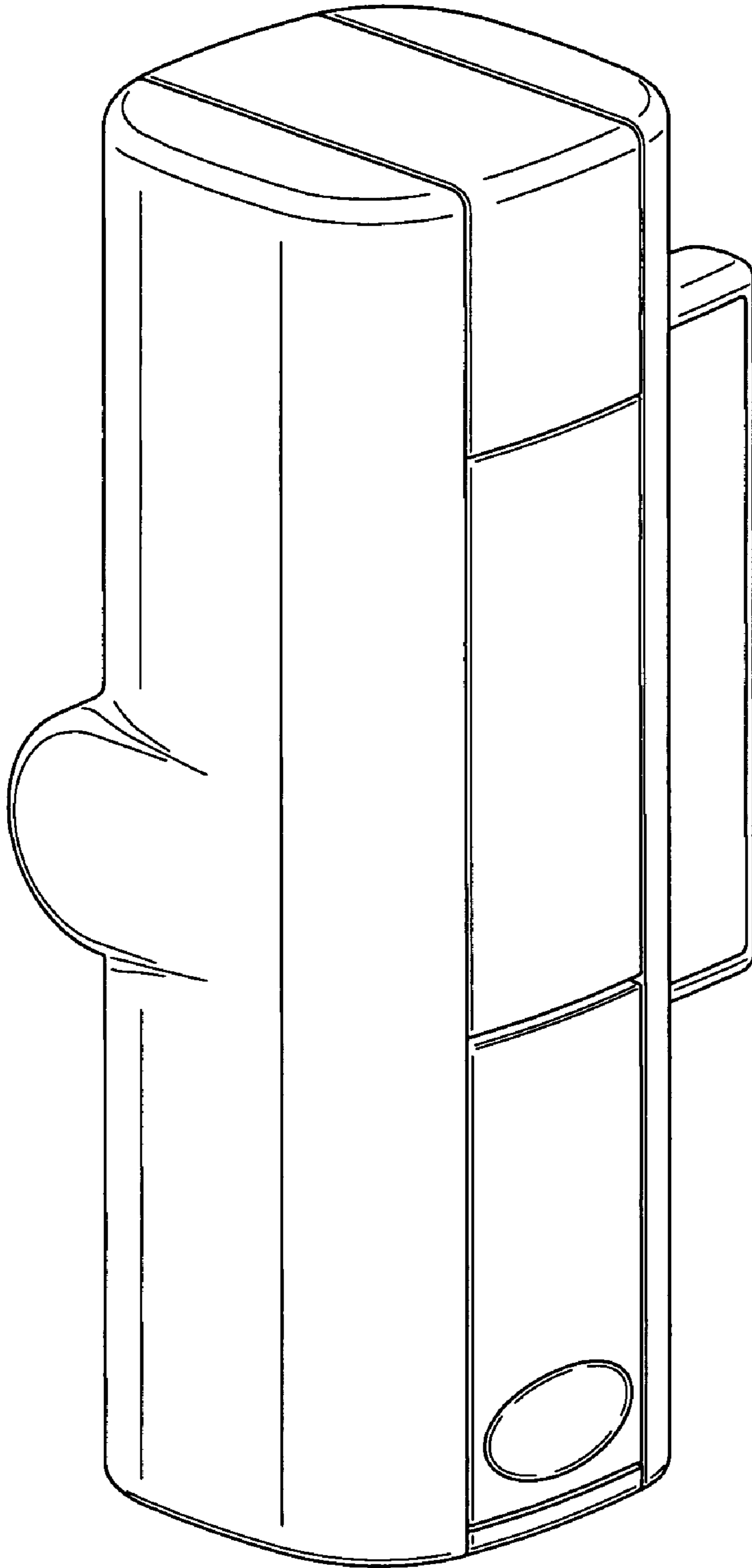


FIG. 7



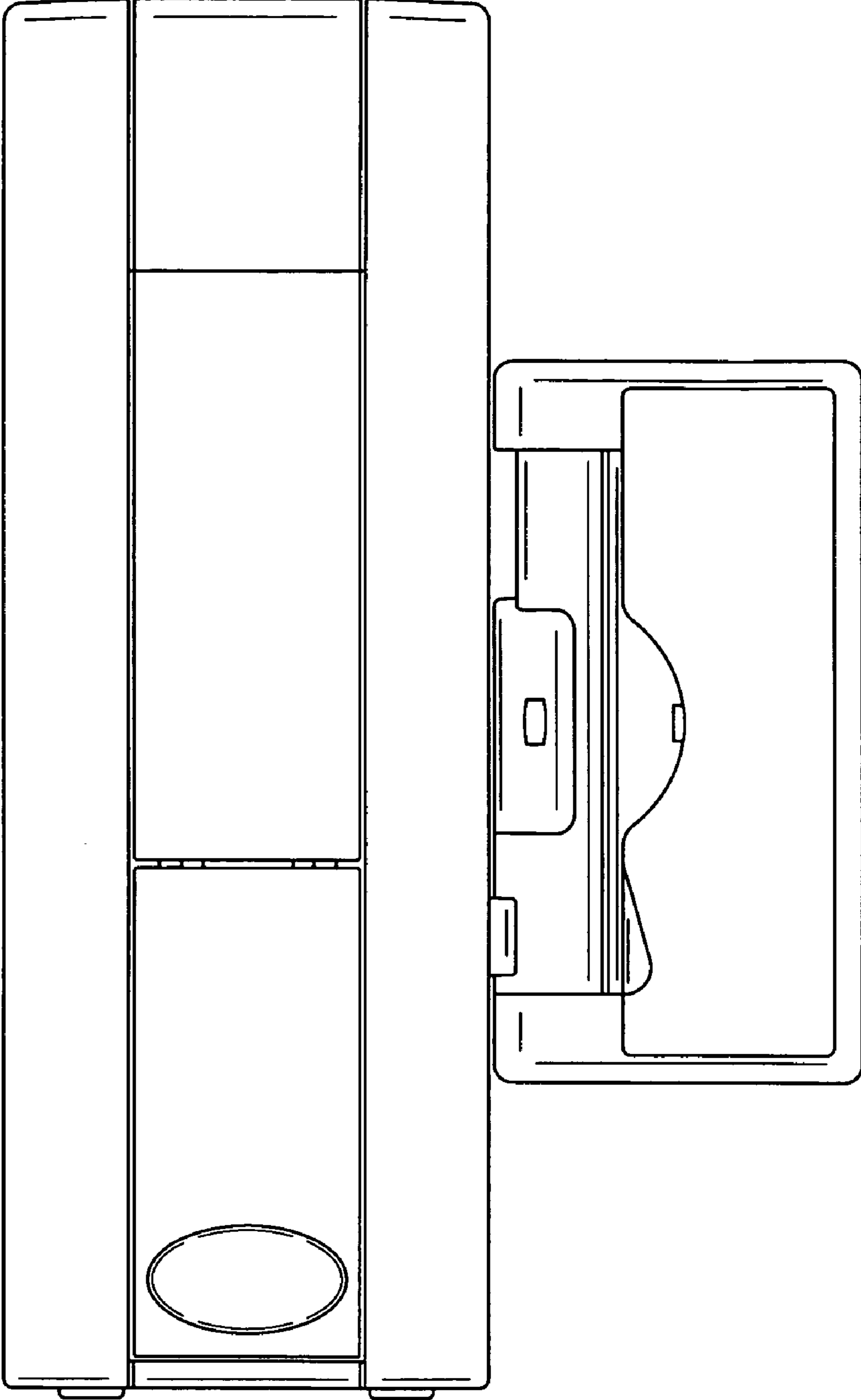


FIG. 8

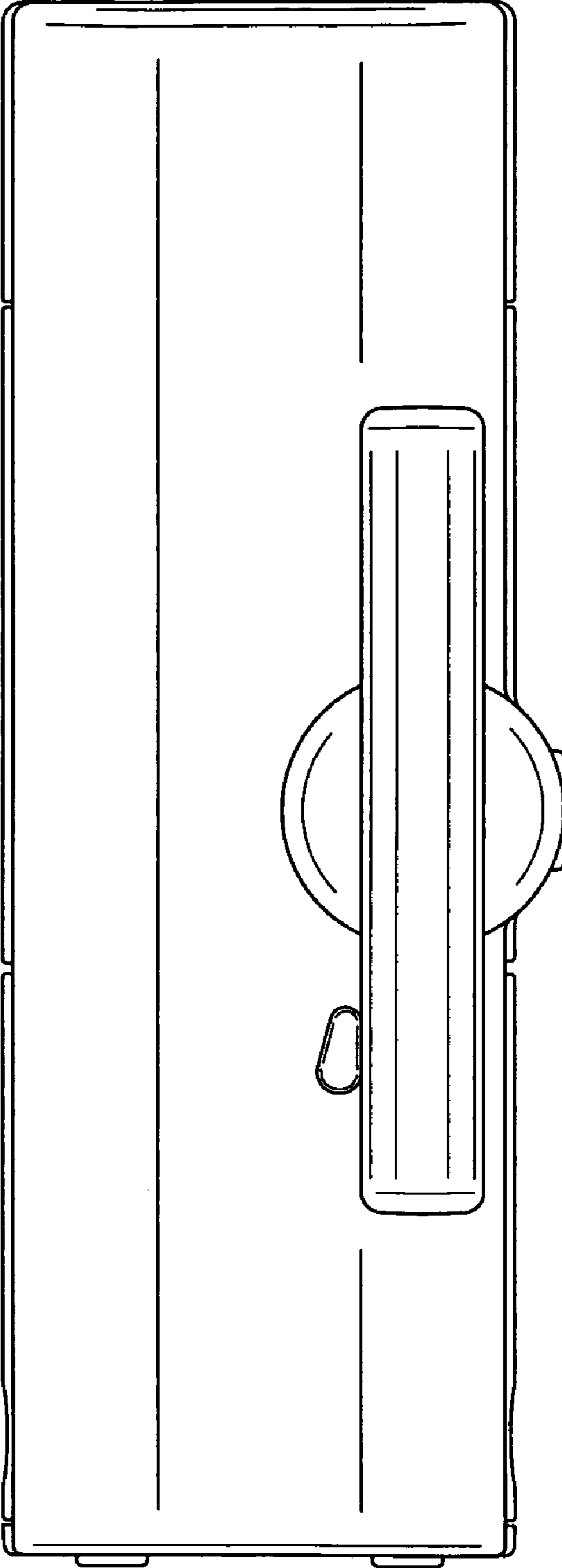


FIG. 9

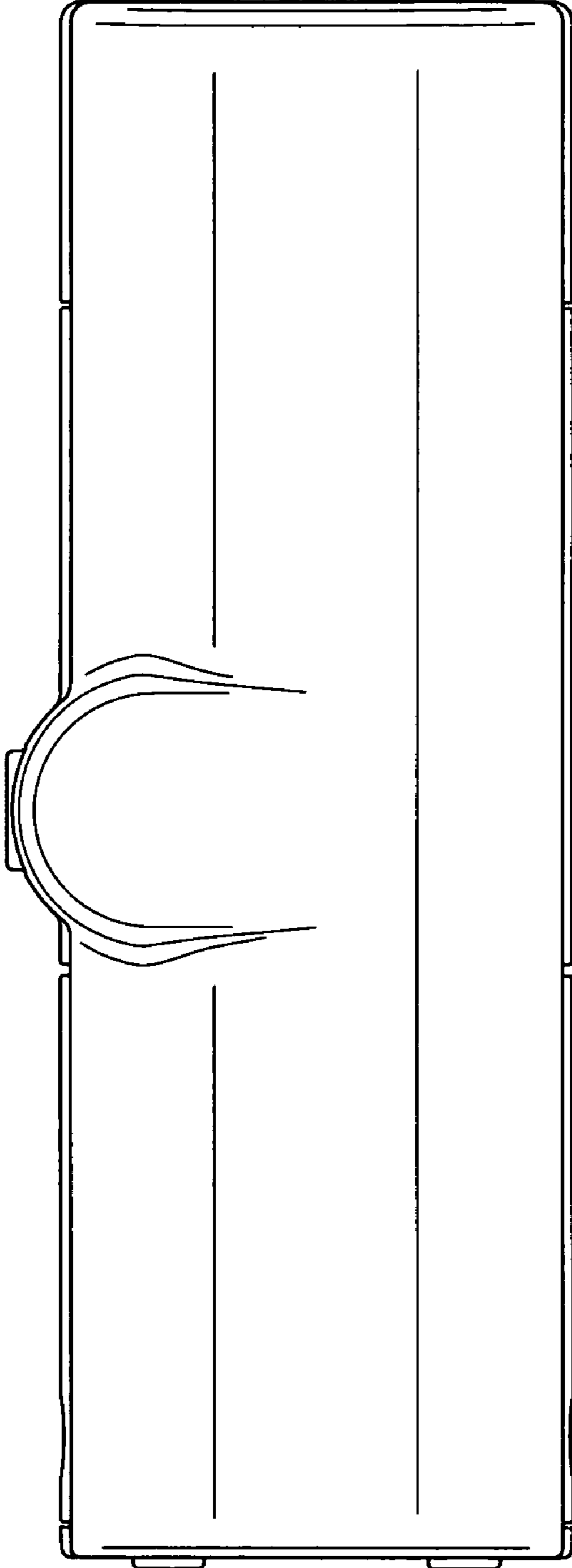


FIG. 10

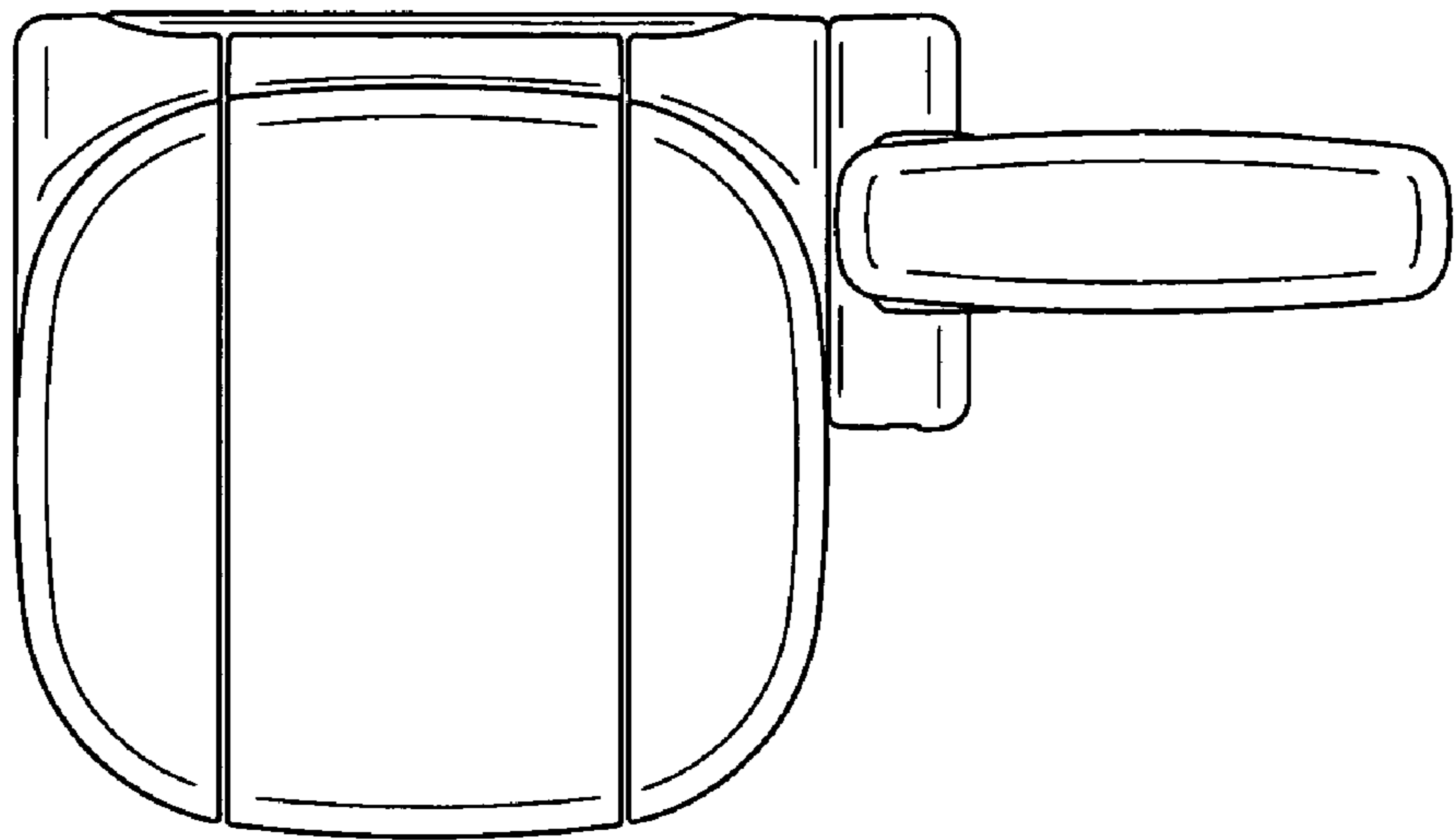


FIG. 11

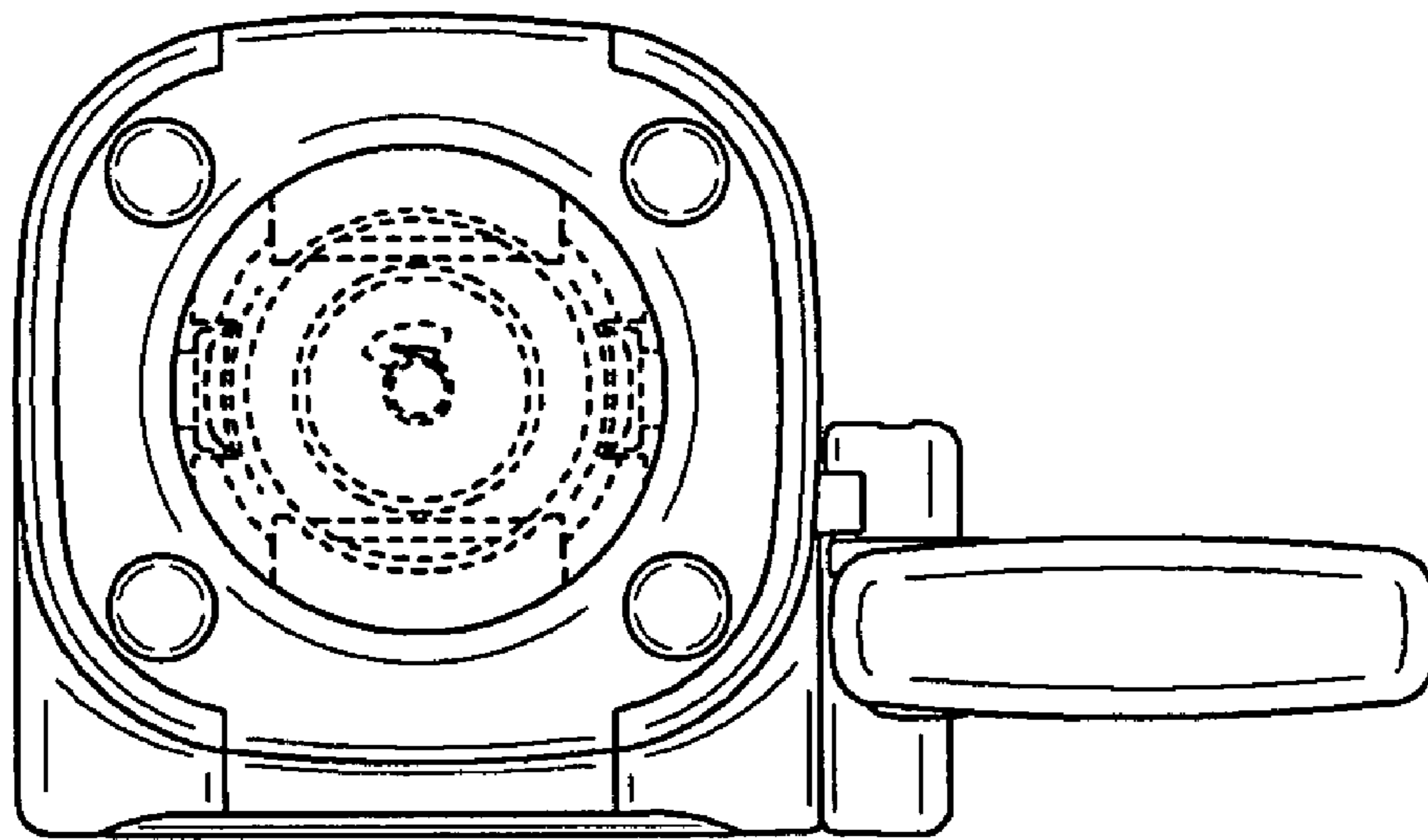


FIG. 12

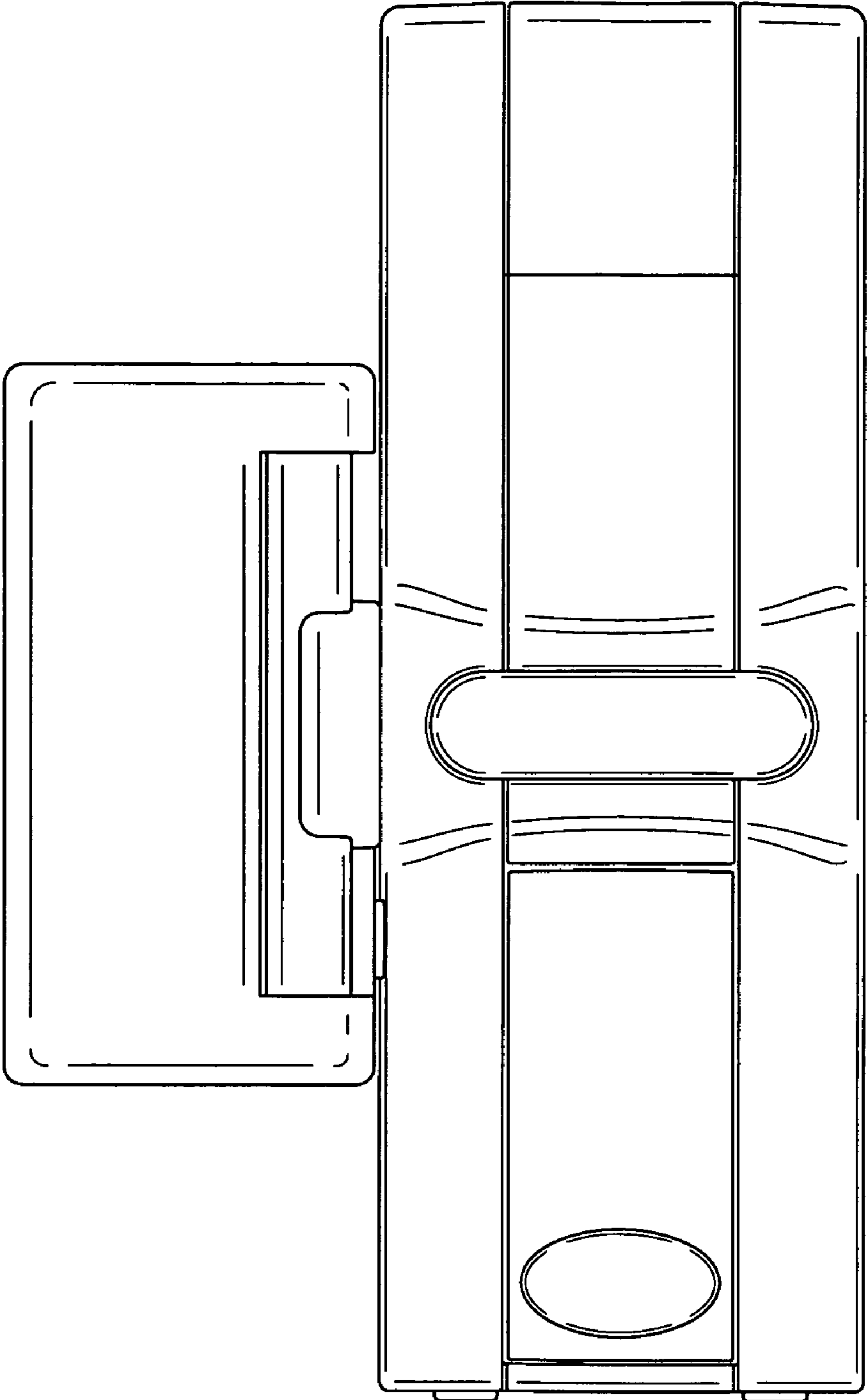


FIG. 13