



US00D598257S

(12) **United States Design Patent**
Darby et al.

(10) **Patent No.:** **US D598,257 S**
(45) **Date of Patent:** **** Aug. 18, 2009**

(54) **LUG WRENCH EXTENDER**

(76) Inventors: **Lloyd C. Darby**, 6016 Pine St., Philadelphia, PA (US) 19143; **William Banks**, 6016 Pine St., Philadelphia, PA (US) 19143

(**) Term: **14 Years**

(21) Appl. No.: **29/326,280**

(22) Filed: **Oct. 15, 2008**

Related U.S. Application Data

(63) Continuation of application No. 11/056,019, filed on Feb. 11, 2005, now abandoned.

(51) **LOC (9) Cl.** **08-05**

(52) **U.S. Cl.** **D8/27**

(58) **Field of Classification Search** D8/21-29, D8/81-87, 102-107, 98, 99, 55, 93, 94; 81/60-63.2, 81/177.1, 177.85, 177.8, 489, 125.1, 121.1, 81/119-120, 176.1, 186, 177.9, 185.1, 176.2, 81/165, 170, 3.35, 58, 3.345, 155; 206/378; 16/429, 441, 124.6; 7/100, 138, 168, 157
See application file for complete search history.

(56) **References Cited**

U.S. PATENT DOCUMENTS

1,463,077	A	7/1923	Gandell	
1,511,738	A	10/1924	Lownsbey	
2,490,739	A	12/1949	Nesbitt	
2,738,694	A	3/1956	Boatright	
3,186,265	A	6/1965	Wenturine et al.	
3,930,427	A	1/1976	Addor	
3,973,283	A	8/1976	Boe	
4,309,369	A *	1/1982	Overton	264/31
4,334,445	A	6/1982	Timewell	
4,520,697	A *	6/1985	Moetteli	81/62
4,602,534	A *	7/1986	Moetteli	81/177.85
4,619,161	A	10/1986	Reynolds	
4,644,600	A	2/1987	Fugate	

4,691,599	A	9/1987	Schultz	
4,756,181	A	7/1988	Appelgren	
D298,007	S *	10/1988	Williams et al.	D8/17
4,795,302	A	1/1989	Dalton	
4,960,014	A	10/1990	Kelley	
5,020,398	A	6/1991	Leu	
D325,153	S	4/1992	Ju	
D325,864	S	5/1992	Diego	
D328,017	S	7/1992	Boeke et al.	
5,570,617	A	11/1996	Love	
D390,432	S *	2/1998	Shaffer	D8/29
D394,992	S	6/1998	Landin	
5,832,794	A	11/1998	Fowler	
5,921,157	A *	7/1999	Smith et al.	81/58.1
D422,187	S	4/2000	Wong	

(Continued)

Primary Examiner—Raphael Barkai
Assistant Examiner—Randall H Gholson
(74) *Attorney, Agent, or Firm*—Knoble Yoshida & Dunleavy, LLC

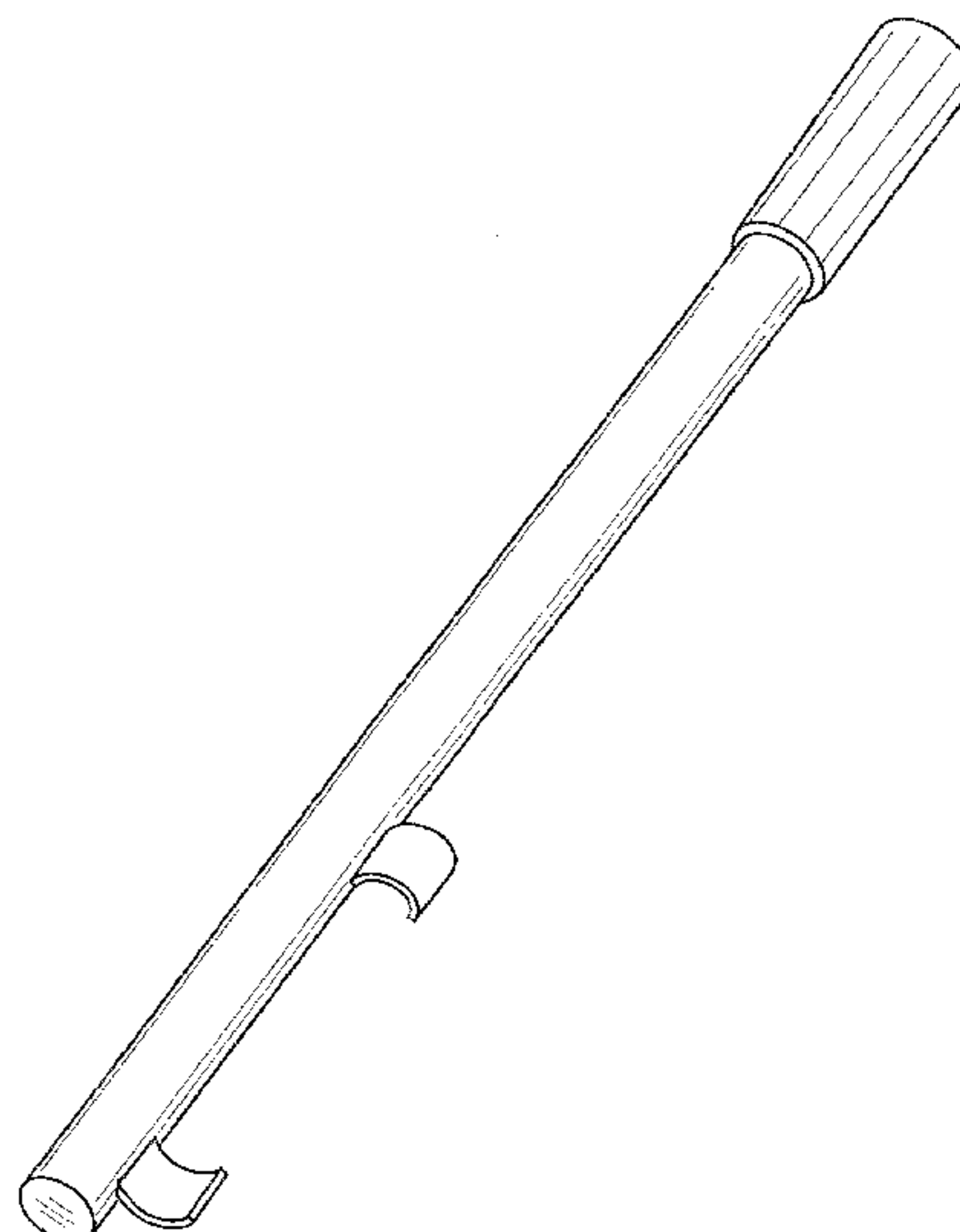
(57) **CLAIM**

An ornamental design for a lug wrench extender, as shown and described.

DESCRIPTION

FIG. 1 is a perspective view of the lug wrench extender; FIG. 2 is a second perspective view of the lug wrench extender thereof; FIG. 3 is an enlarged perspective view of the curved gripping member of the lug wrench extender thereof; and, FIG. 4 is a second enlarged perspective view of the curved gripping member of the lug wrench extender of FIG. 1. The broken lines in FIGS. 2 and 3 are included for the purpose of illustrating the lug wrench extender attached to a lug wrench in FIG. 2 and FIG. 3 shows a surface treatment on the gripping member, none of which forms a part of the claimed design.

1 Claim, 4 Drawing Sheets



US D598,257 S

Page 2

U.S. PATENT DOCUMENTS			
6,199,456	B1	3/2001	Hlady
6,257,102	B1	7/2001	Perry
6,267,030	B1 *	7/2001	Rodoni 81/177.2
6,308,596	B1	10/2001	Williams
6,530,124	B2	3/2003	Newman et al.
D476,203	S *	6/2003	Mahan D8/21
6,662,692	B2	12/2003	Anderson et al.
6,748,832	B1	6/2004	Maxwell
6,769,333	B2	8/2004	Keady
6,805,029	B1	10/2004	Foster et al.
6,805,528	B2	10/2004	Liu
6,830,552	B1	12/2004	Gonzalez
7,080,580	B2	7/2006	Gordon
7,500,418	B2 *	3/2009	Wolterman 81/58.1
2004/0025649	A1 *	2/2004	Rugee 81/177.2
2005/0204873	A1	9/2005	Ana

* cited by examiner

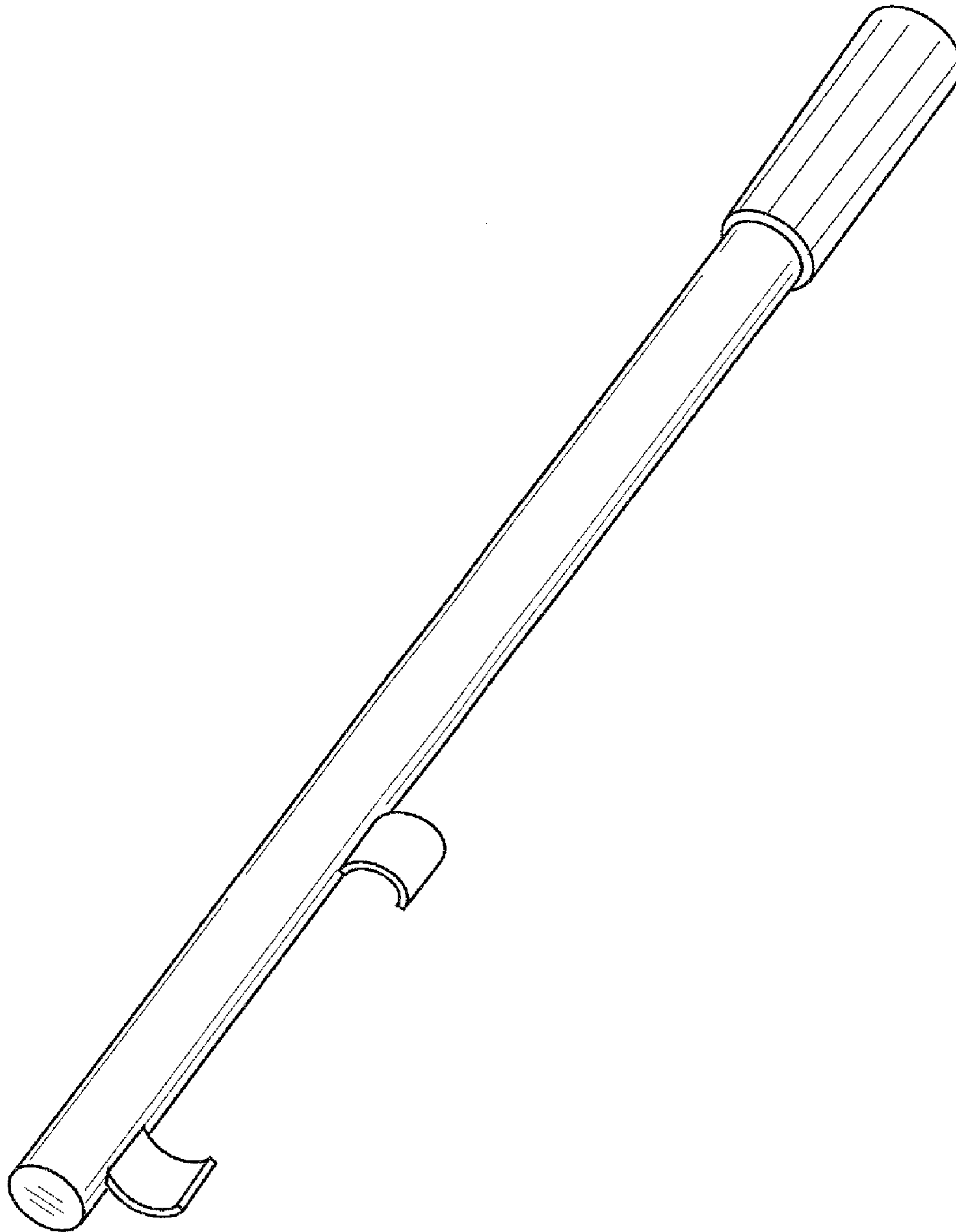


FIG. 1

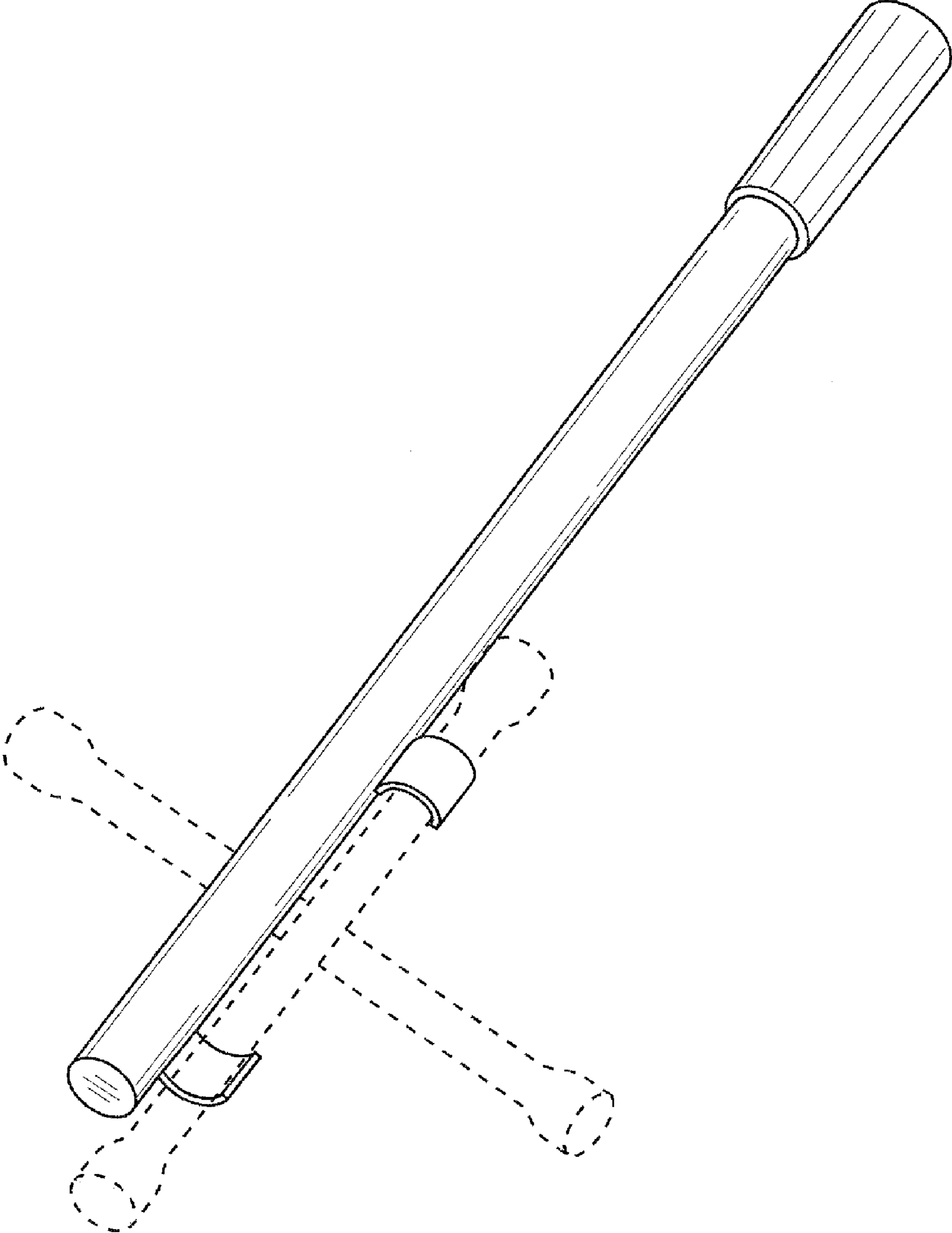


FIG. 2

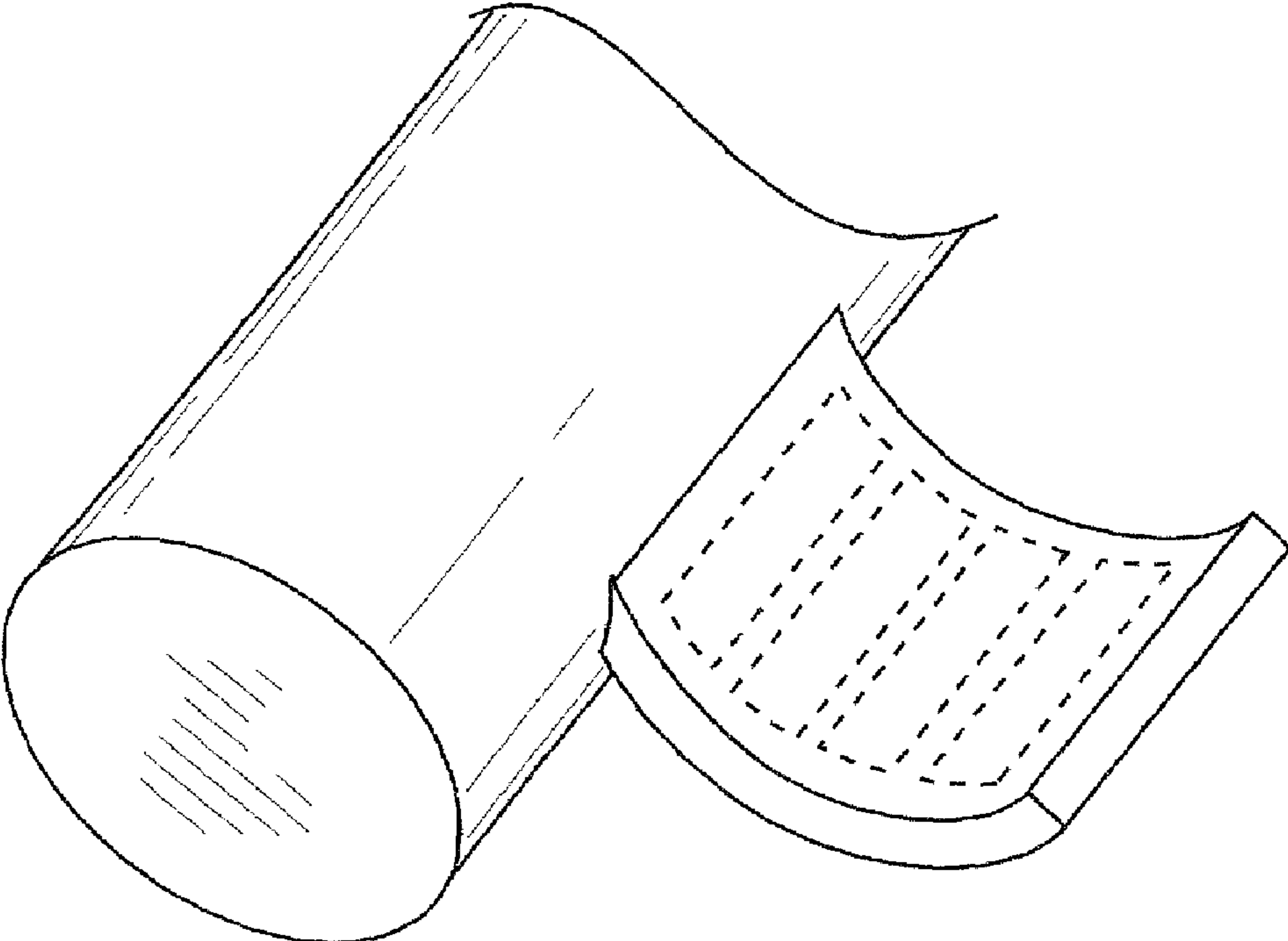


FIG. 3

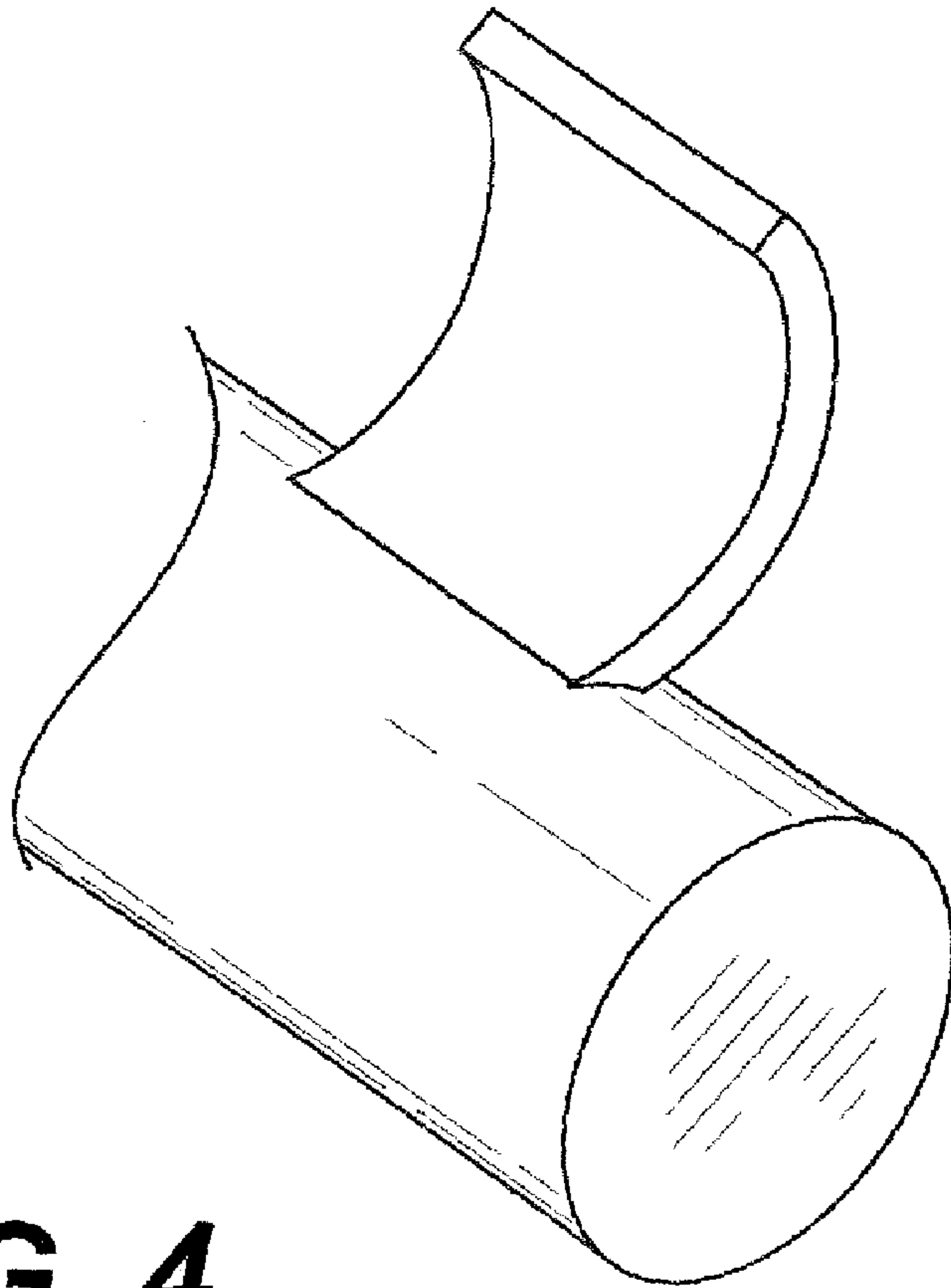


FIG. 4