



US00D598256S

(12) **United States Design Patent**  
**Chesness**

(10) **Patent No.:** **US D598,256 S**  
(45) **Date of Patent:** **\*\* Aug. 18, 2009**

- (54) **SHOVEL WITH TAPERING SHAFT AND PIVOT**
- (76) Inventor: **Curtis J. Chesness**, 981 140<sup>th</sup> Lane Northwest, Andover, MN (US) 55304
- (\*\*) Term: **14 Years**
- (21) Appl. No.: **29/332,109**
- (22) Filed: **Feb. 9, 2009**

D378,890 S *	4/1997	Furno .....	D3/10
D392,522 S *	3/1998	Kenyon .....	D8/10
D405,665 S *	2/1999	Whitehead et al. ....	D8/10
5,887,919 A *	3/1999	Sallinen et al. ....	294/54.5
D409,885 S *	5/1999	McKenzie .....	D8/10
D475,257 S *	6/2003	Somers .....	D8/10
D563,182 S *	3/2008	Kopp .....	D8/10
D564,846 S *	3/2008	Kopp .....	D8/10
D586,192 S *	2/2009	Chesness .....	D8/10

**Related U.S. Application Data**

- (63) Continuation of application No. 29/302,506, filed on Jan. 17, 2008, now Pat. No. Des. 586,192.

- (51) **LOC (9) Cl.** ..... **08-01**
- (52) **U.S. Cl.** ..... **D8/10**
- (58) **Field of Classification Search** ..... D8/10;  
294/54.5, 49; 56/400.01

See application file for complete search history.

**References Cited**

**U.S. PATENT DOCUMENTS**

3,024,547 A *	3/1962	Harrison .....	37/403
3,380,772 A *	4/1968	Lissakers .....	37/265
3,475,838 A *	11/1969	Hagen et al. ....	37/265
3,583,746 A *	6/1971	Lissakers .....	37/265
3,751,058 A *	8/1973	Larsen .....	280/30
4,248,466 A *	2/1981	Carper .....	37/265
D261,351 S *	10/1981	Carper .....	D8/10
D271,369 S *	11/1983	Gesner .....	D8/10
D305,603 S *	1/1990	Nelson et al. ....	D15/11
D333,074 S *	2/1993	Ciccarelli .....	D8/10
D361,482 S *	8/1995	Fugal .....	D8/10
D375,235 S *	11/1996	Spear et al. ....	D8/10
D375,882 S *	11/1996	Ritchie et al. ....	D8/10
5,577,786 A *	11/1996	Laine .....	294/54.5

\* cited by examiner

*Primary Examiner*—Holly H Baynham

*Assistant Examiner*—Sheryl Lane

(74) *Attorney, Agent, or Firm*—Dorsey & Whitney LLP; Devan V. Padmanabhan

(57) **CLAIM**

I claim the ornamental design for a shovel with tapering shaft and pivot, as shown and described.

**DESCRIPTION**

FIG. 1 is a front perspective view

FIG. 2 is a rear perspective view

FIG. 3 is a front view

FIG. 4 is a rear view

FIG. 5 is a left side view

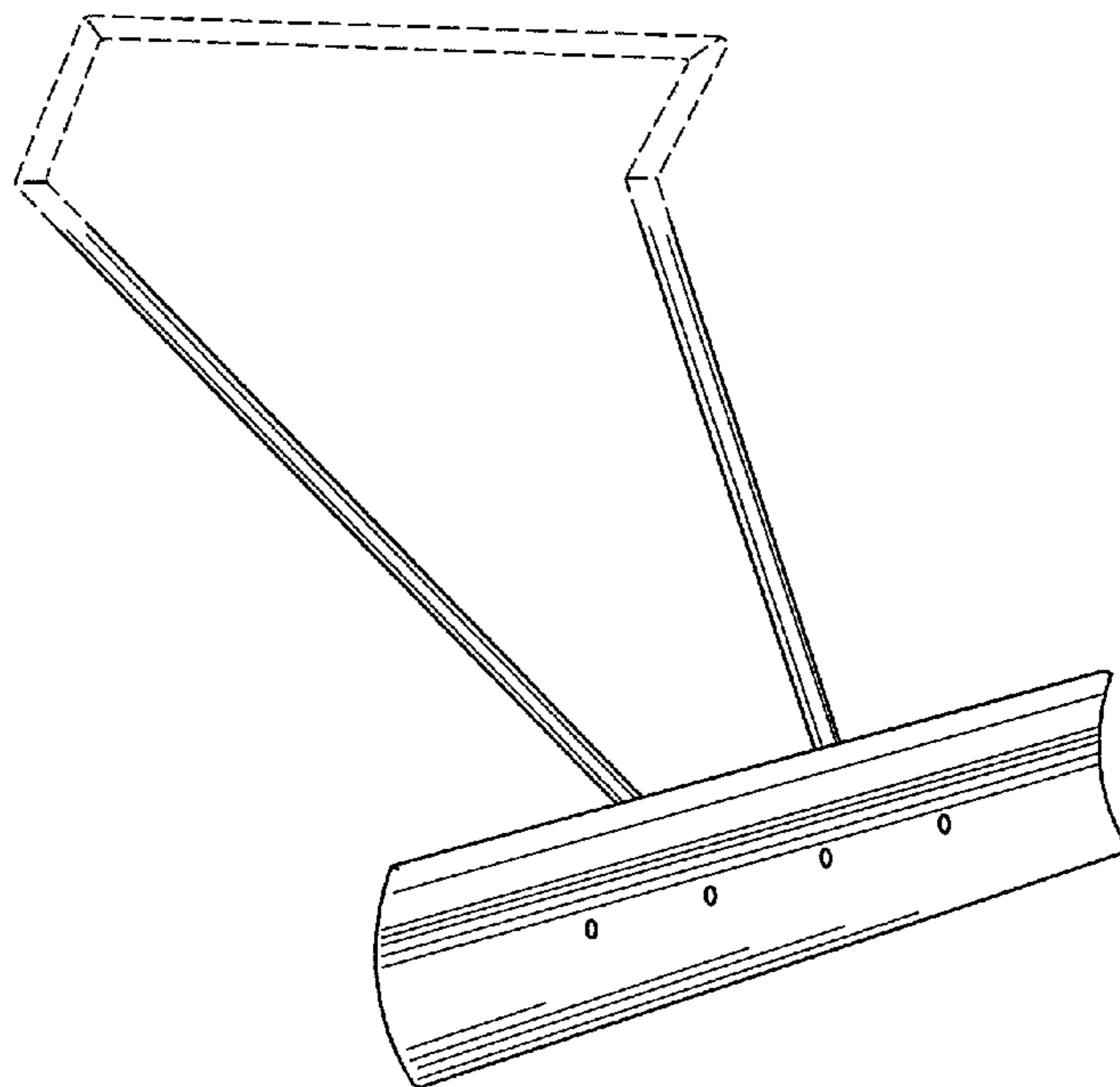
FIG. 6 is a right side view

FIG. 7 is a top view; and,

FIG. 8 is a bottom view.

The broken line showing of the handle is included for the purpose of illustrating portions of the shovel and forms no part of the claimed design.

**1 Claim, 3 Drawing Sheets**



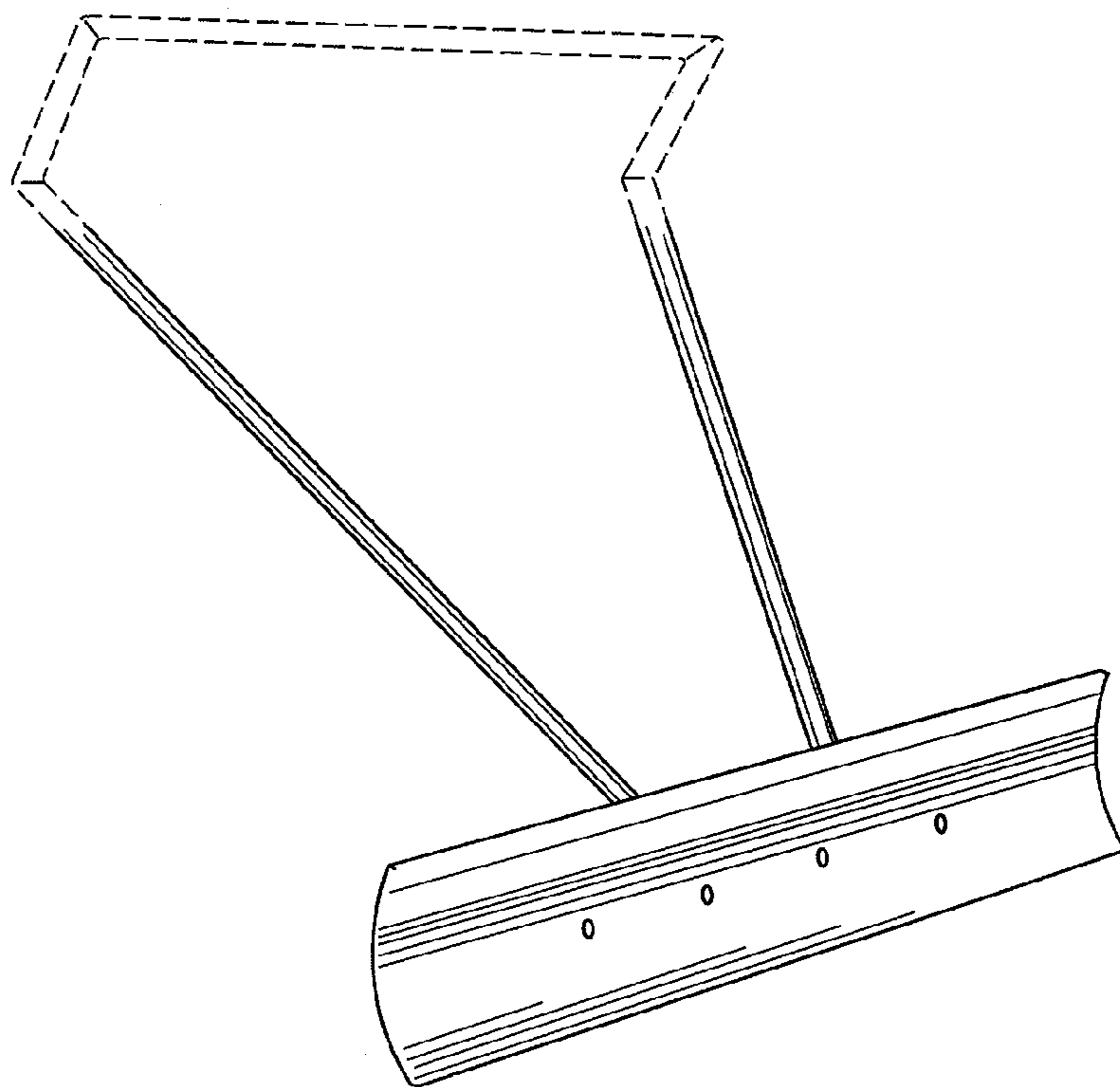


FIG. 1

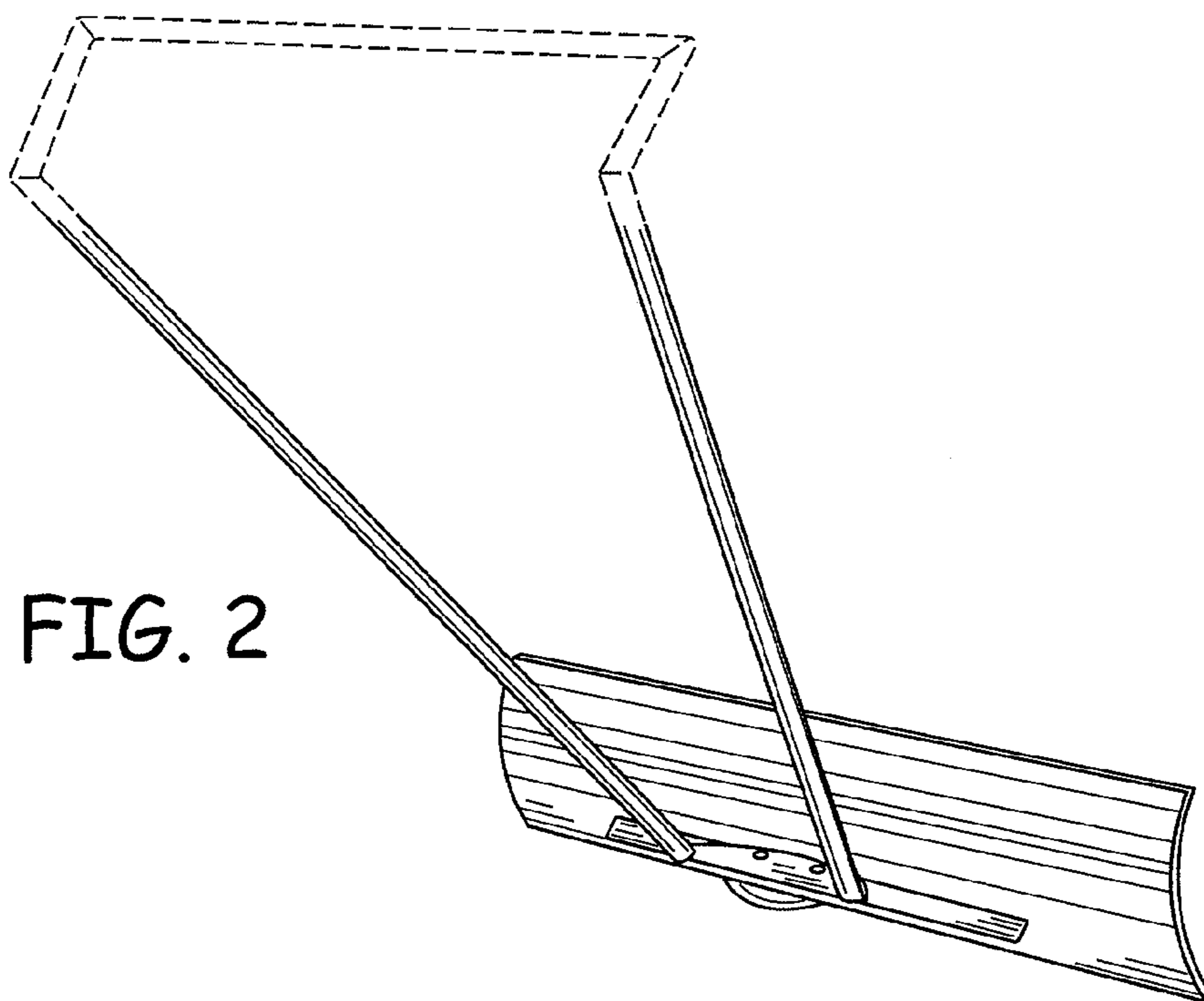


FIG. 2

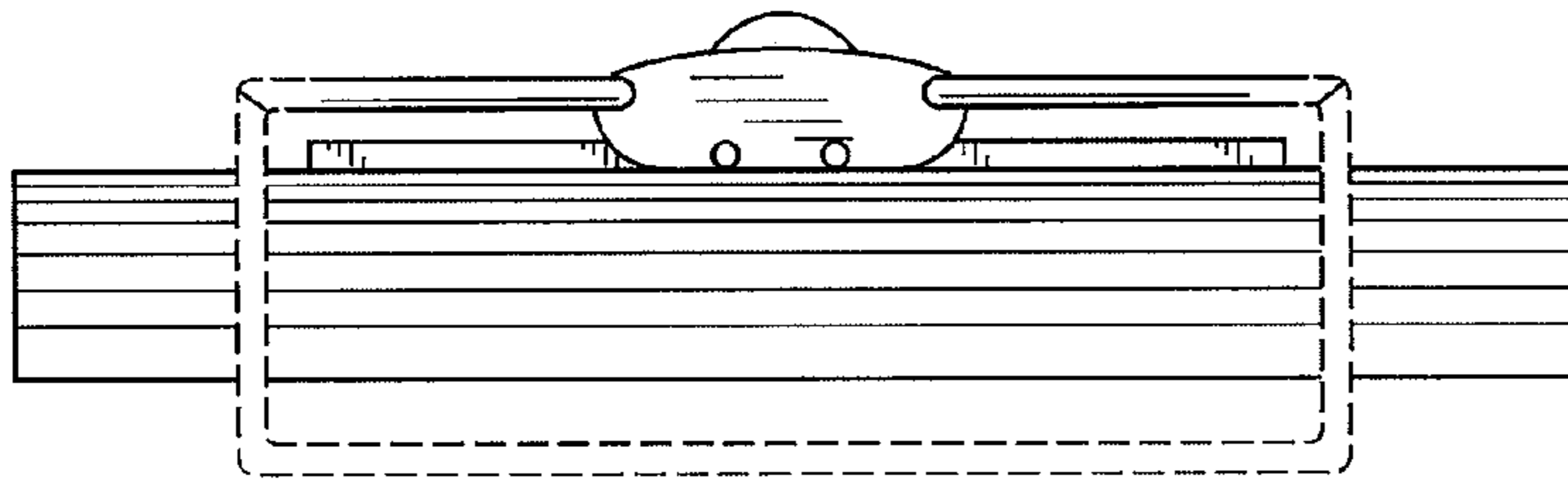


FIG. 7

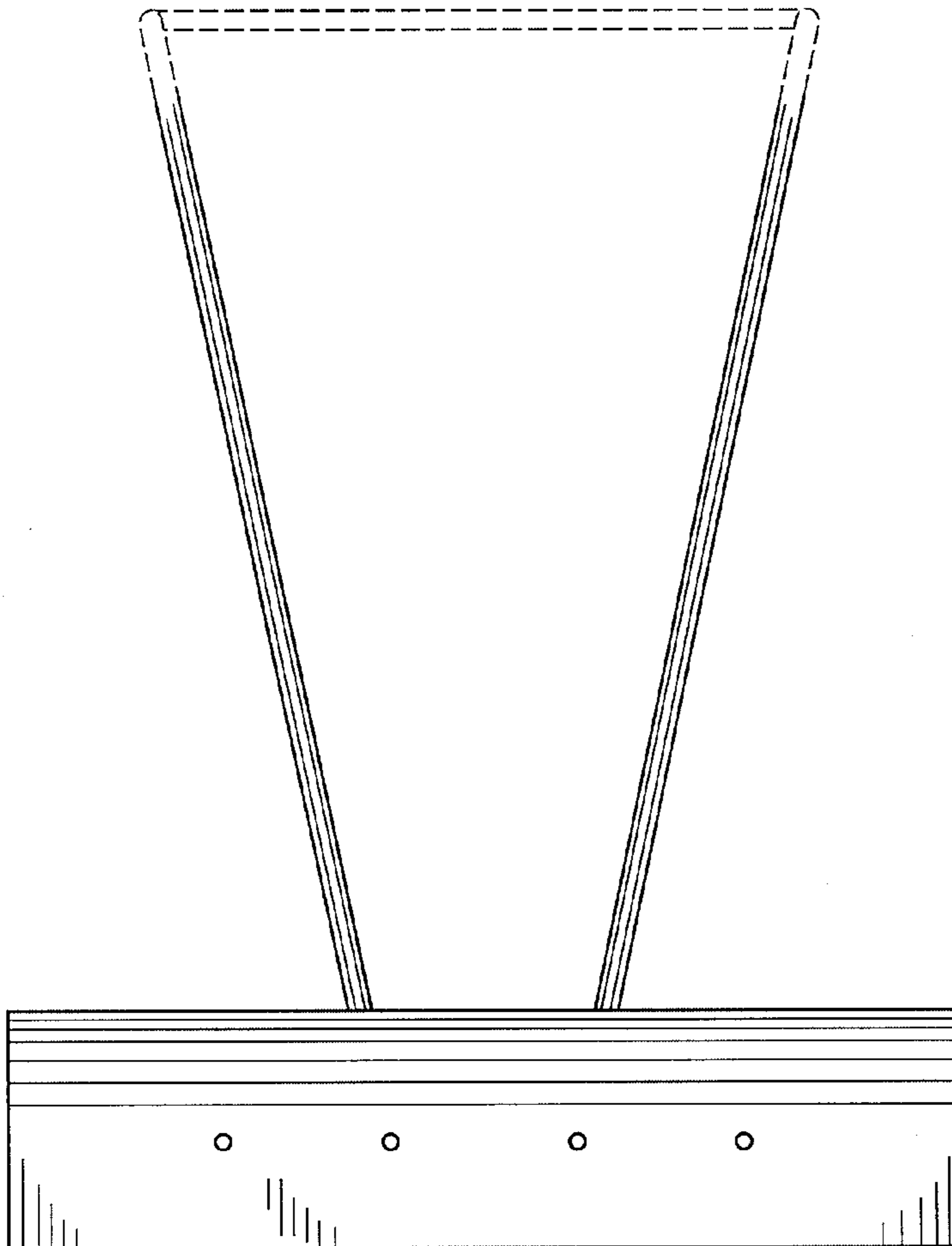


FIG. 3

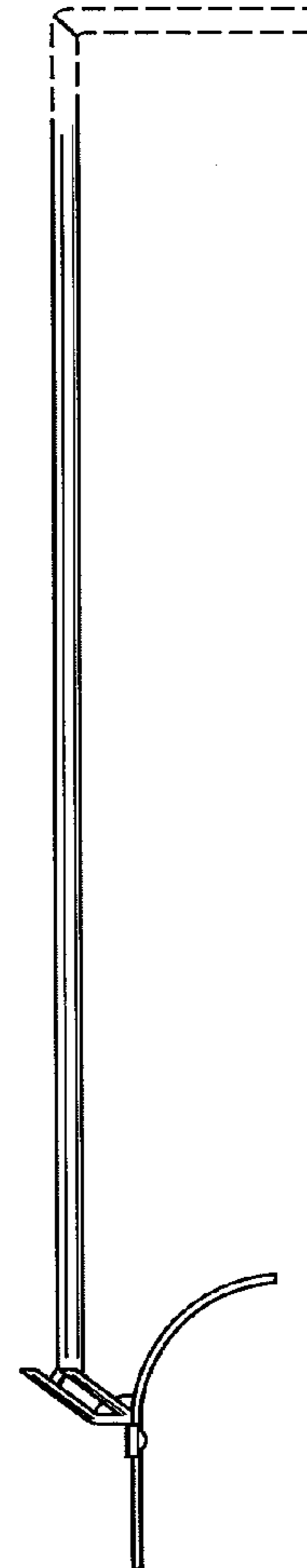


FIG. 6

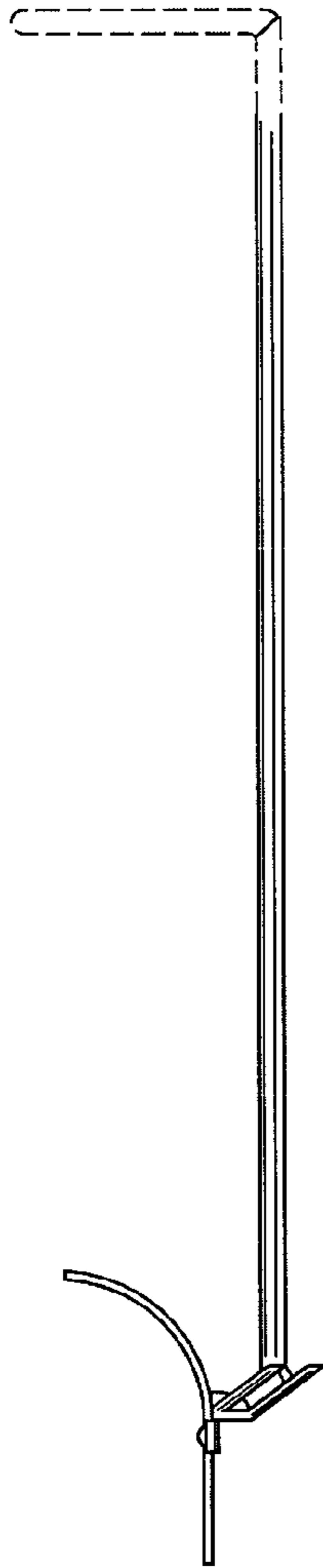


FIG. 5

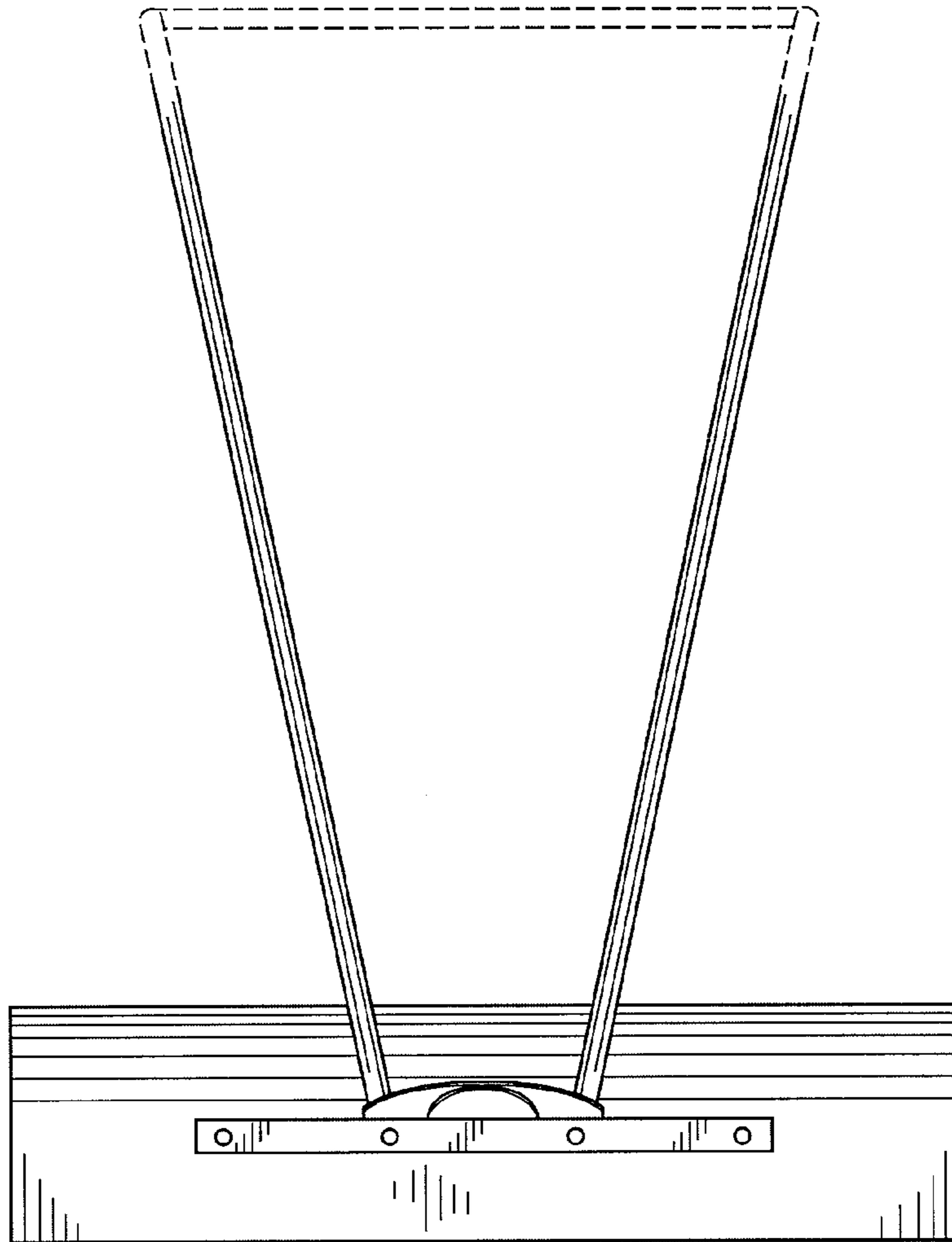


FIG. 4

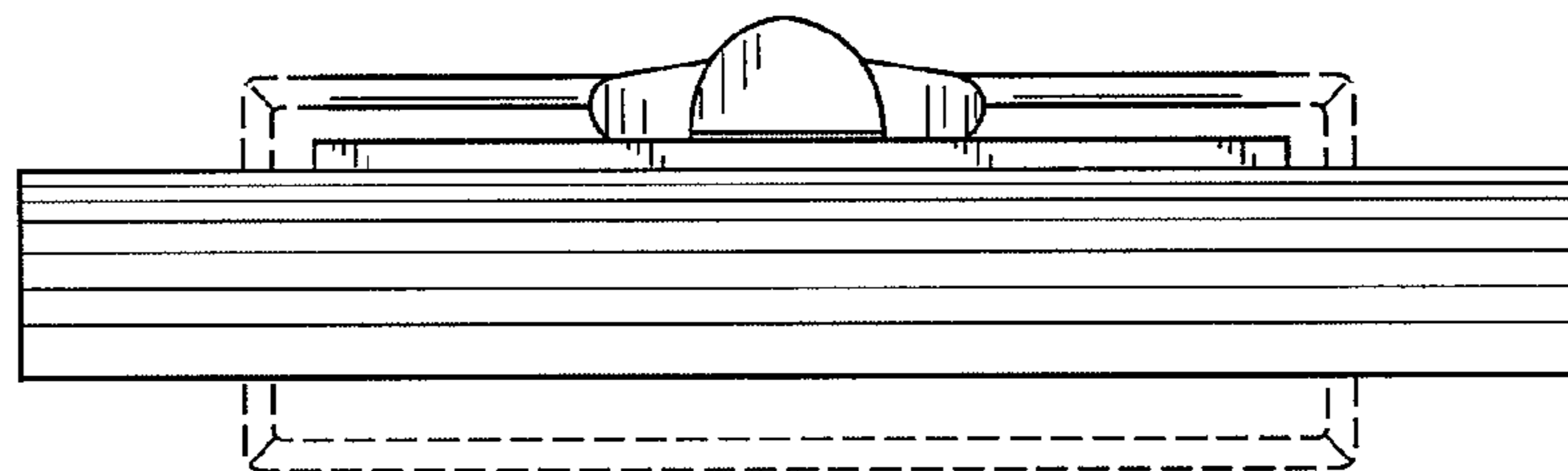


FIG. 8