



US00D598253S

(12) **United States Design Patent**
Lesser

(10) **Patent No.:** **US D598,253 S**

(45) **Date of Patent:** **** Aug. 18, 2009**

(54) **BAG WITH ATTACHED FOLDABLE MAT**

(76) Inventor: **Rebecca Lesser**, 17 Glenwood St., East Patchogue, NY (US) 11772

(**) Term: **14 Years**

(21) Appl. No.: **29/324,048**

(22) Filed: **Sep. 5, 2008**

(51) **LOC (9) Cl.** **09-05**

(52) **U.S. Cl.** **D7/709; D7/607**

(58) **Field of Classification Search** D3/233,
D3/243, 273-274, 276, 283-284, 289-290,
D3/297; D7/602, 605, 607, 629, 709; 206/541;
383/4

See application file for complete search history.

(56) **References Cited**

U.S. PATENT DOCUMENTS

206,287	A	7/1878	Will	
598,801	A	2/1898	Minter	
2,505,208	A	4/1950	Ruml, Jr.	
2,615,541	A	10/1952	Whitesel	
4,216,862	A	8/1980	Daenen	
4,337,812	A	7/1982	Trinkner	
D287,667	S *	1/1987	Cathcart et al.	D3/274
4,915,232	A	4/1990	Hill et al.	
D323,743	S *	2/1992	DiSessa et al.	D3/284
D324,769	S *	3/1992	Hart	D3/233
D355,301	S *	2/1995	Tumulty	D3/289
D358,024	S *	5/1995	Wilson	D3/233
D376,689	S *	12/1996	Doppelt	D3/274
5,595,302	A	1/1997	Maydwell et al.	
5,743,405	A	4/1998	Reid	
5,875,894	A	3/1999	Stromme	
D421,371	S *	3/2000	Fair	D7/709
6,105,844	A	8/2000	Walters et al.	
D443,983	S *	6/2001	Hillman	D3/276

D458,750	S *	6/2002	Crandall	D3/292
D468,534	S *	1/2003	Crandall	D3/289
D471,712	S *	3/2003	Krulik	D3/289
7,013,671	B1	3/2006	Bolda	
D589,252	S *	3/2009	Grosser	D3/233
2007/0074251	A1 *	3/2007	Oguz et al.	725/45

* cited by examiner

Primary Examiner—Philip S Hyder

Assistant Examiner—Roselynn Cody

(74) *Attorney, Agent, or Firm*—Barkume & Associates, P.C.

(57) **CLAIM**

The ornamental design for a bag with attached foldable mat, as shown and described.

DESCRIPTION

FIG. 1 is a perspective view of a bag with attached foldable mat showing my new design;

FIG. 2 is a top view thereof;

FIG. 3 is a front view thereof;

FIG. 4 is a left side view thereof;

FIG. 5 is a right view thereof;

FIG. 6 is a rear view thereof;

FIG. 7 is a bottom view thereof;

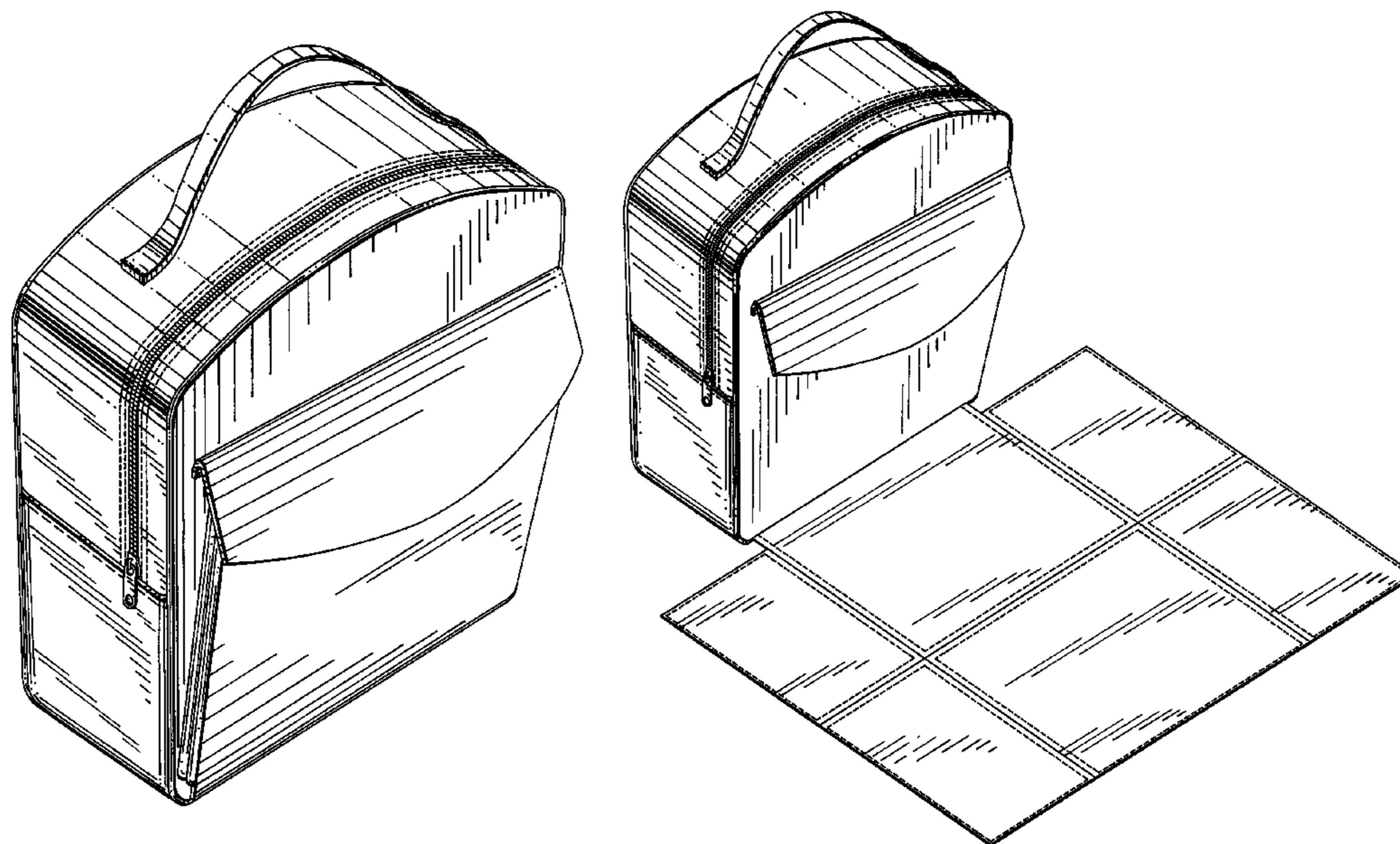
FIG. 8 is a perspective view thereof showing the attached mat in an unfolded position;

FIG. 9 is a perspective view thereof showing the attached mat in a partially folded position; and,

FIG. 10 is a perspective view thereof showing the attached mat in a further partially folded position.

The broken line in the figures, indicating stitching, form no part of the claimed design.

1 Claim, 7 Drawing Sheets



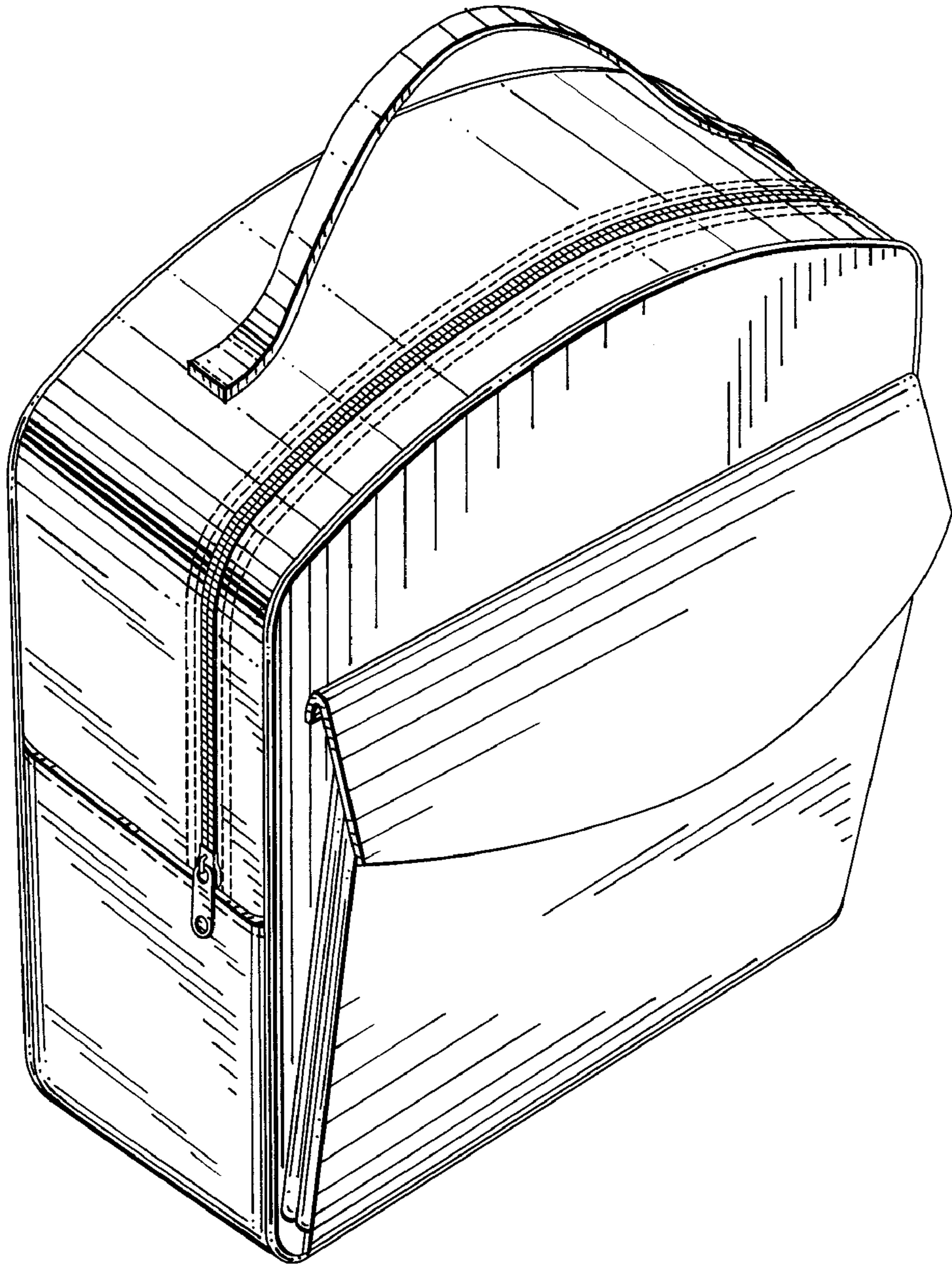


FIG. 1

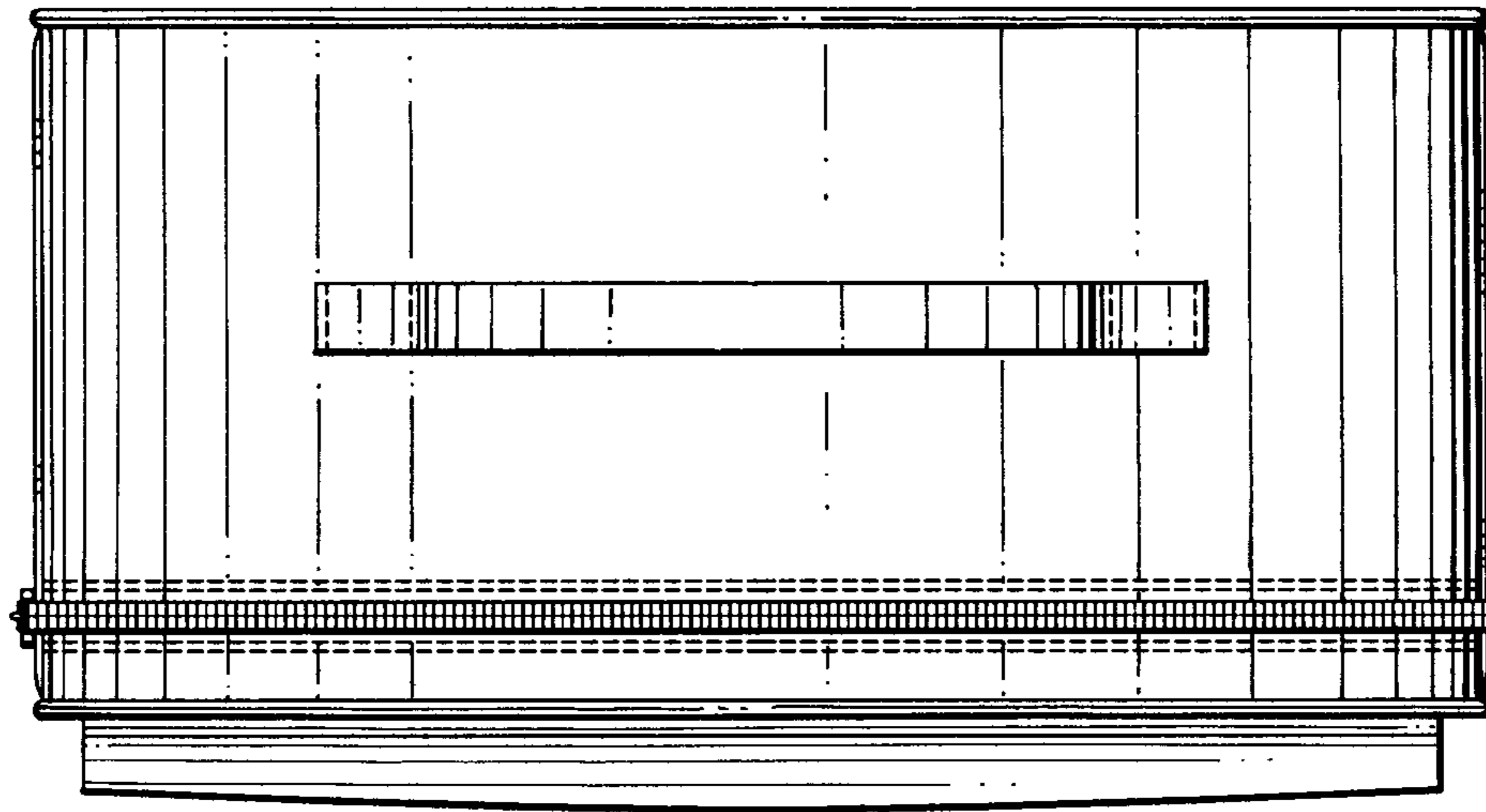


FIG. 2

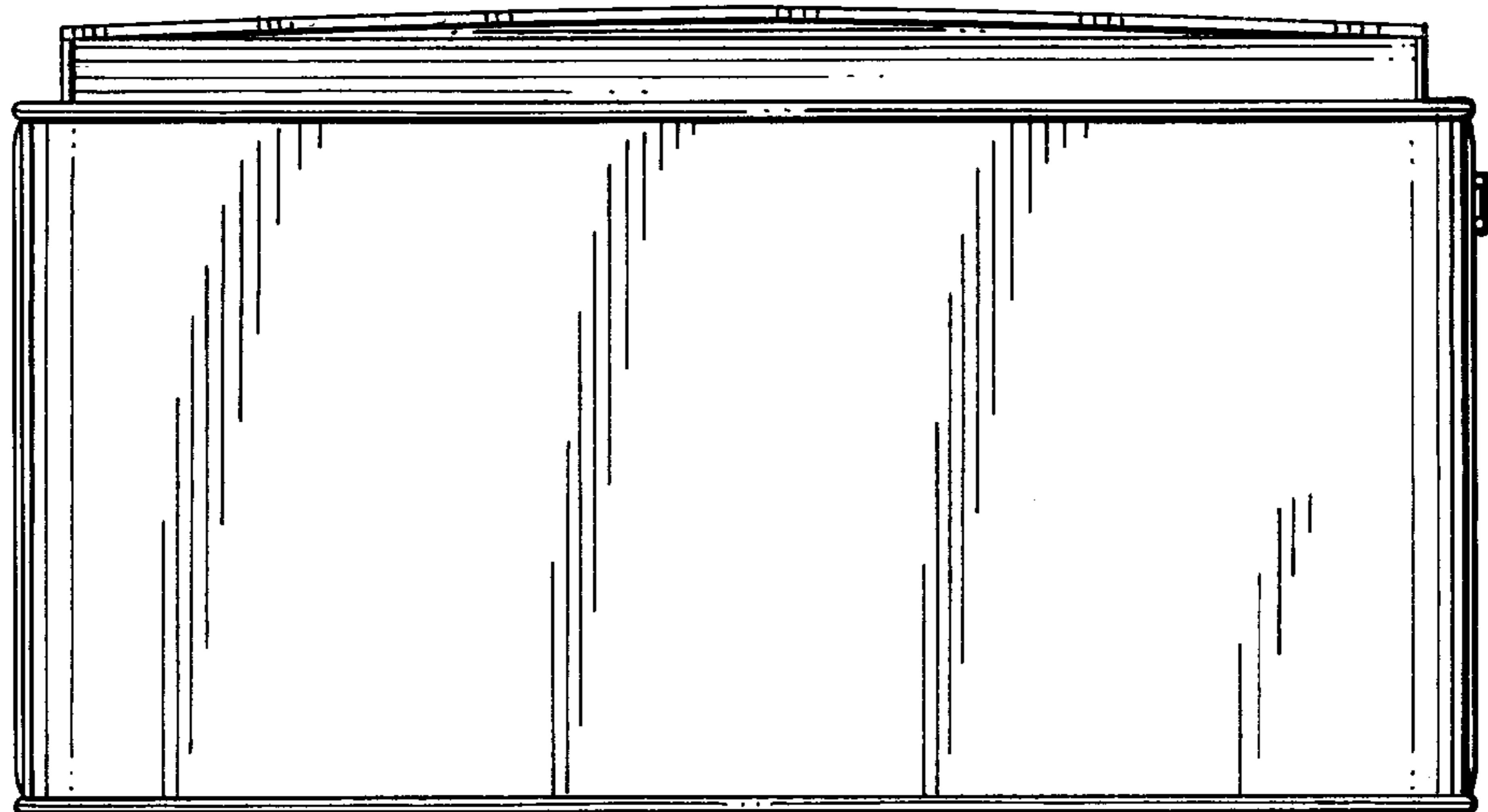


FIG. 7

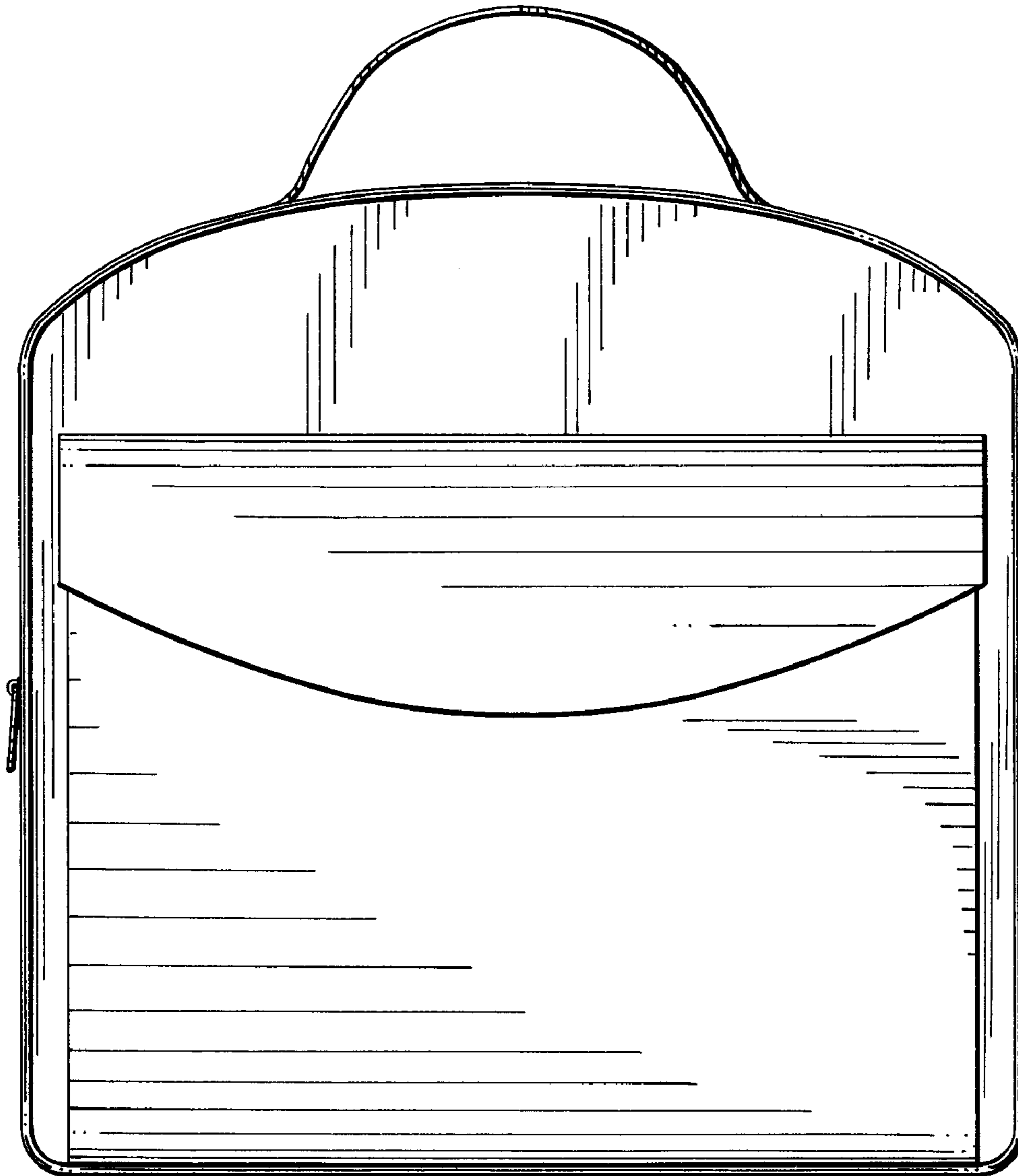


FIG.3

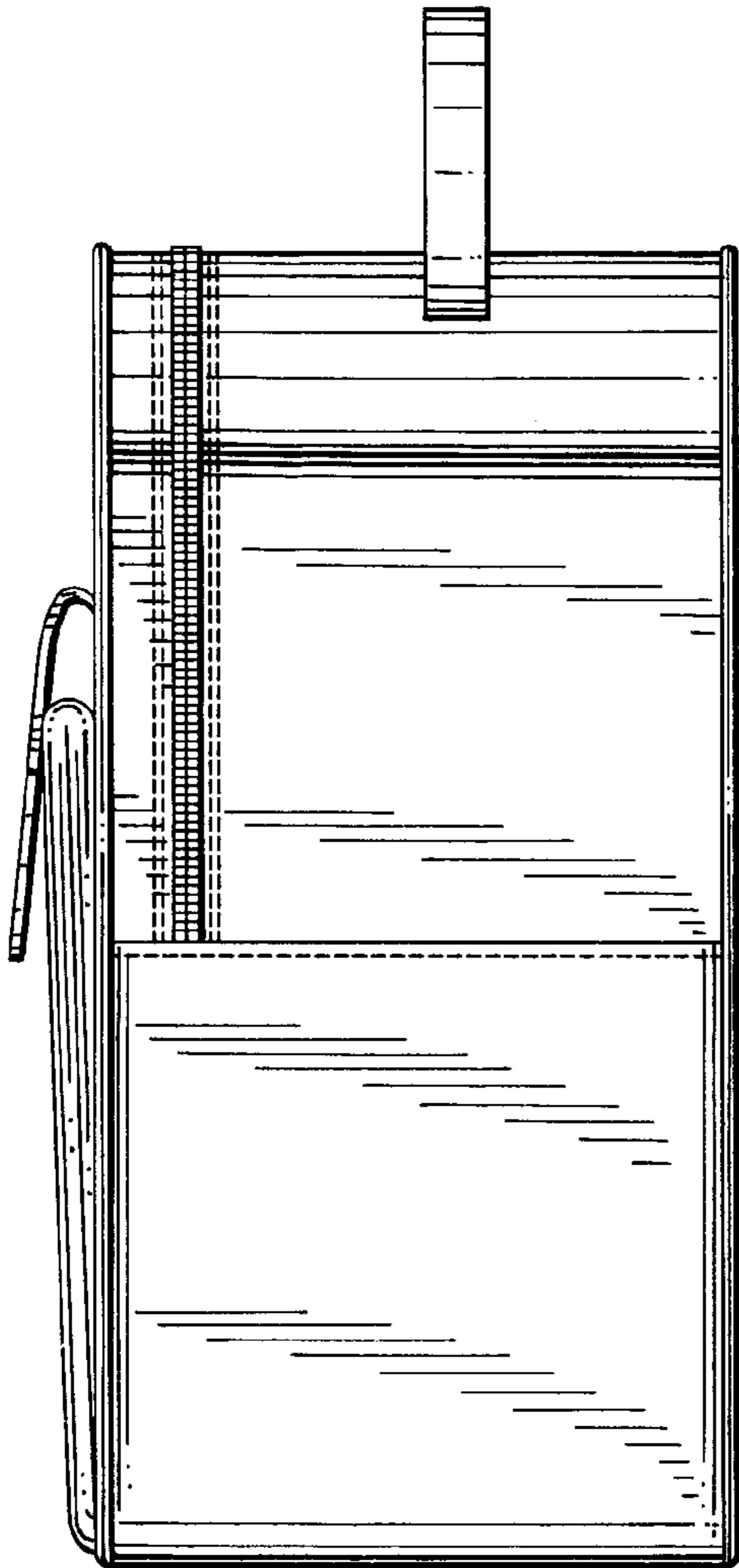


FIG. 4

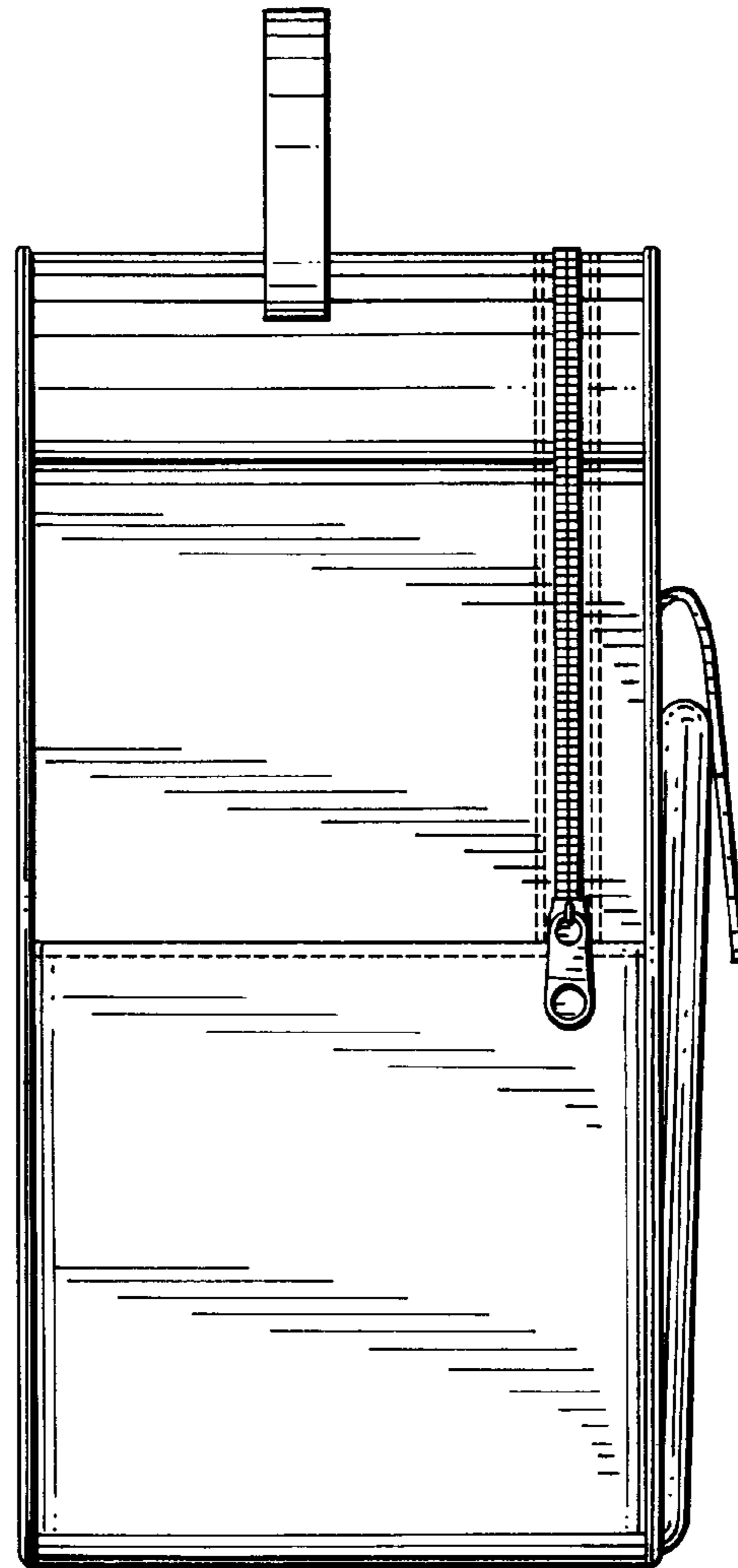


FIG. 5

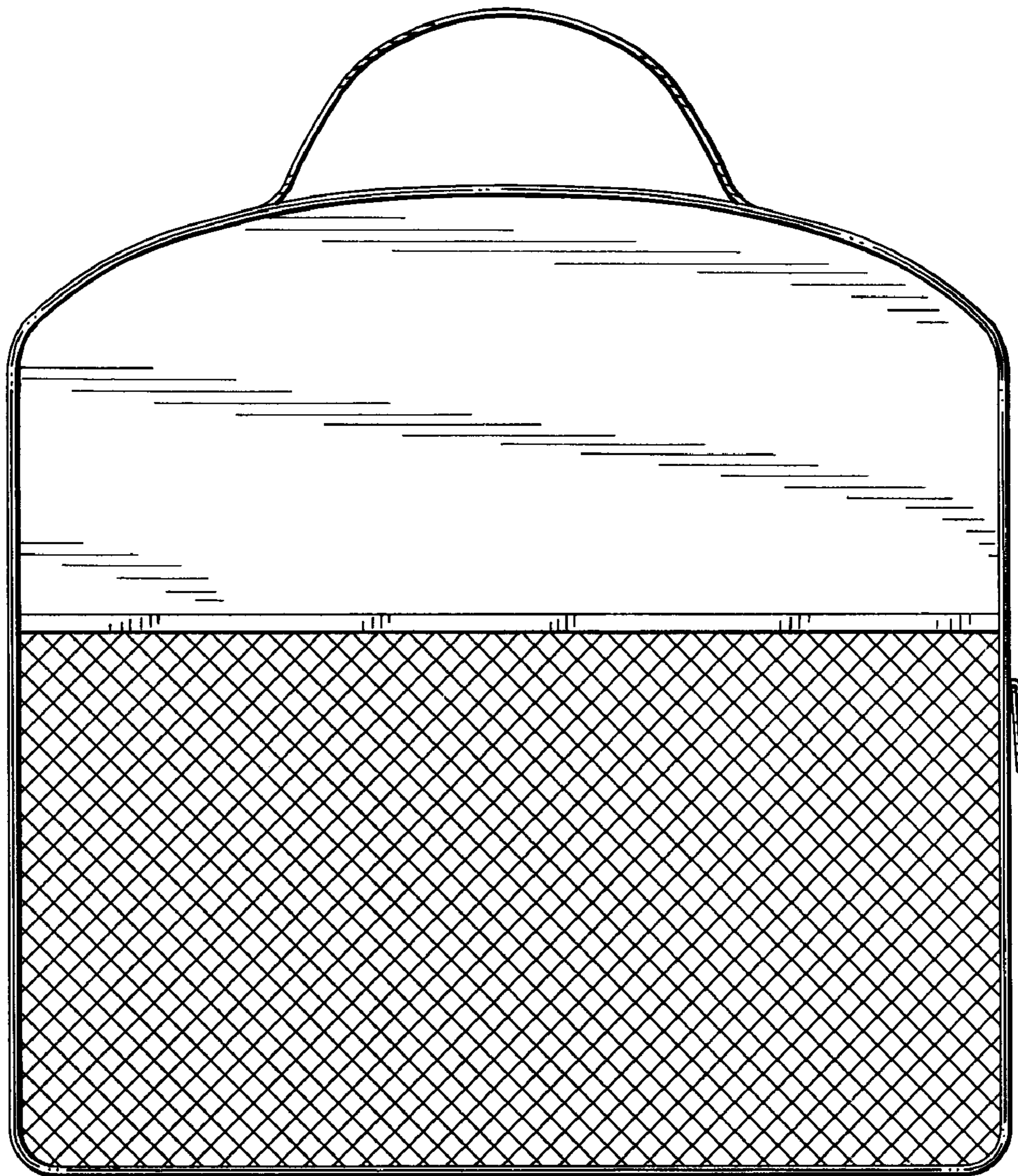


FIG.6

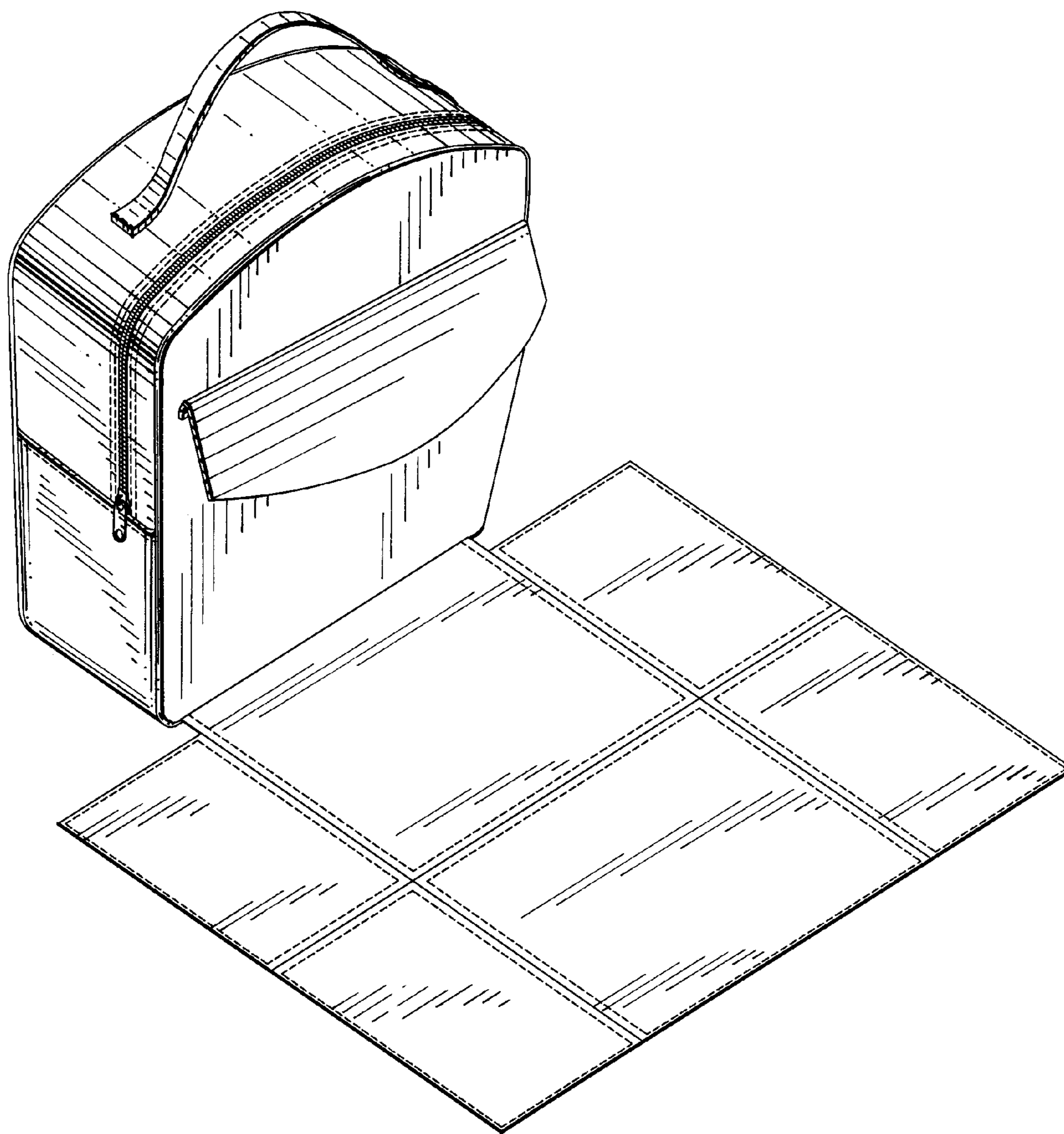


FIG.8

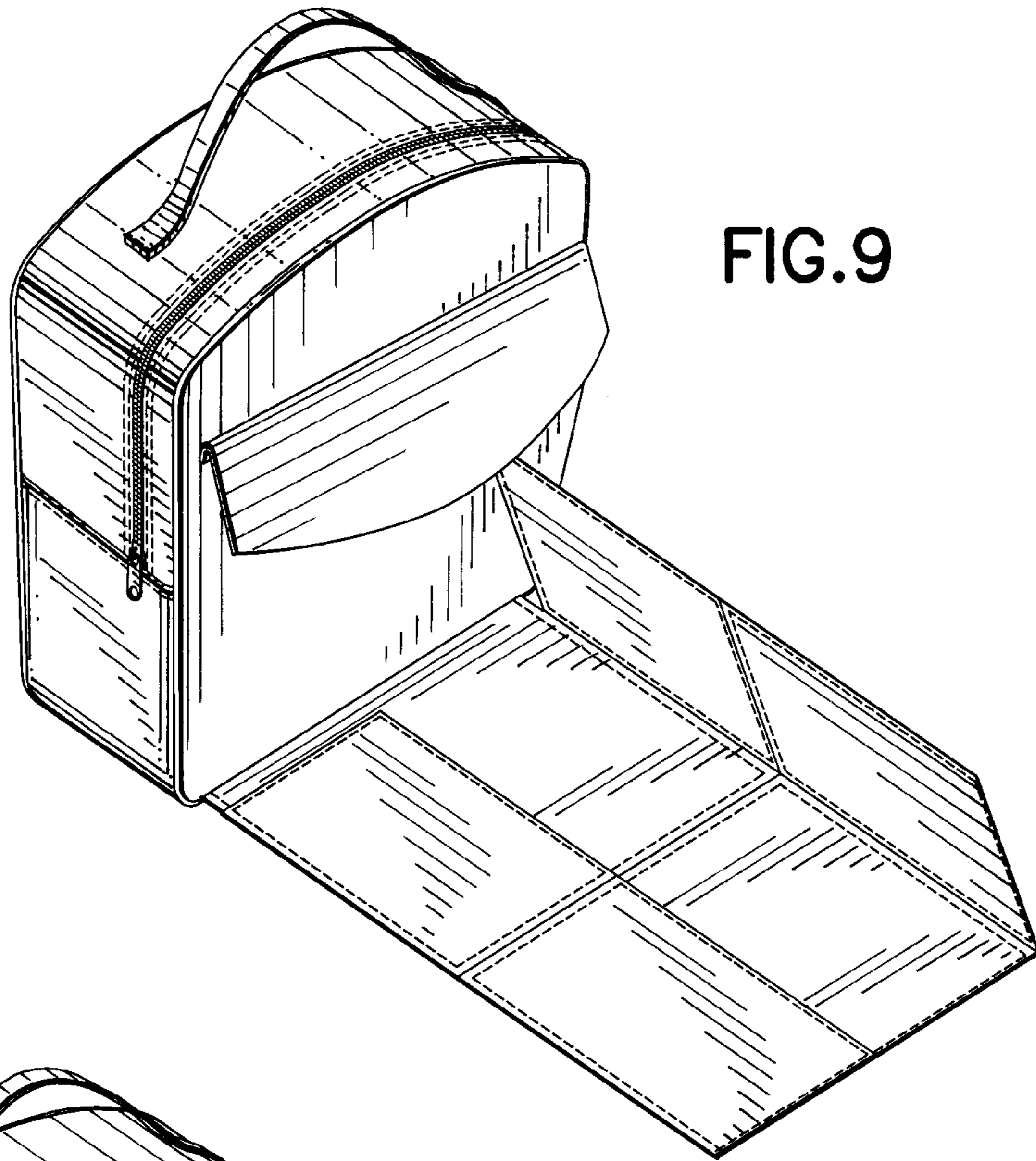


FIG. 9

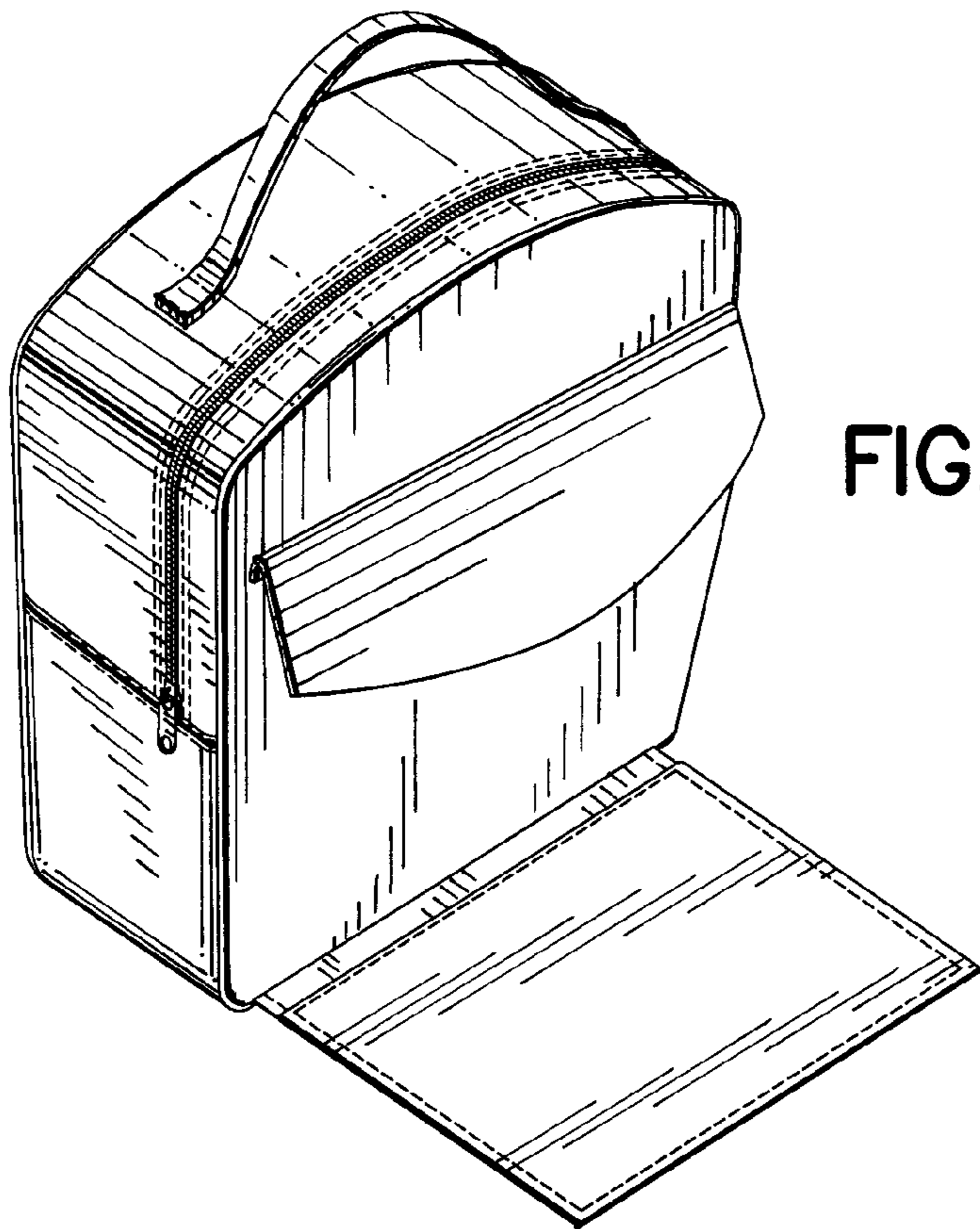


FIG. 10