



US00D598241S

(12) **United States Design Patent**
Seehoff et al.

(10) **Patent No.:** **US D598,241 S**

(45) **Date of Patent:** **** Aug. 18, 2009**

(54) **KNIFE GUARD**

5,101,704 A * 4/1992 Jones et al. 83/174
5,188,011 A * 2/1993 Somal et al. 83/478

(75) Inventors: **Gary Stanley Seehoff**, Encino, CA (US); **Christopher Anzalone**, Foothill Ranch, CA (US); **Huy Kha Nguyen**, Garden Grove, CA (US)

* cited by examiner

Primary Examiner—Joel Sincavage
Assistant Examiner—Ricky Pham

(73) Assignee: **Evrholder Products LLC**, Anaheim, CA (US)

(74) *Attorney, Agent, or Firm*—Steven Laut

(**) Term: **14 Years**

(57) **CLAIM**

(21) Appl. No.: **29/330,277**

The ornamental design for a knife guard, as shown and described.

(22) Filed: **Jan. 2, 2009**

DESCRIPTION

(51) **LOC (9) Cl.** **07-03**

FIG. 1 illustrates a top view of the claimed design for a knife guard;

(52) **U.S. Cl.** **D7/401.2**

FIG. 2 illustrates a front view thereof;

(58) **Field of Classification Search** D7/391–393, D7/395, 401.2, 638, 642–653, 662–664, 688, D7/695–696; 30/114, 123.5–123.7, 138, 30/142–143, 147–151, 304, 316, 340–346, 30/353, 355, 394; 83/174, 421, 478, 729

FIG. 3 illustrates a left-side view thereof;

FIG. 4 illustrates a right-side view thereof;

FIG. 5 illustrates a rear view thereof;

FIG. 6 illustrates a bottom view thereof;

See application file for complete search history.

FIG. 7 illustrates an internal cross-sectional view taken through line 7—7 of FIG. 2; and,

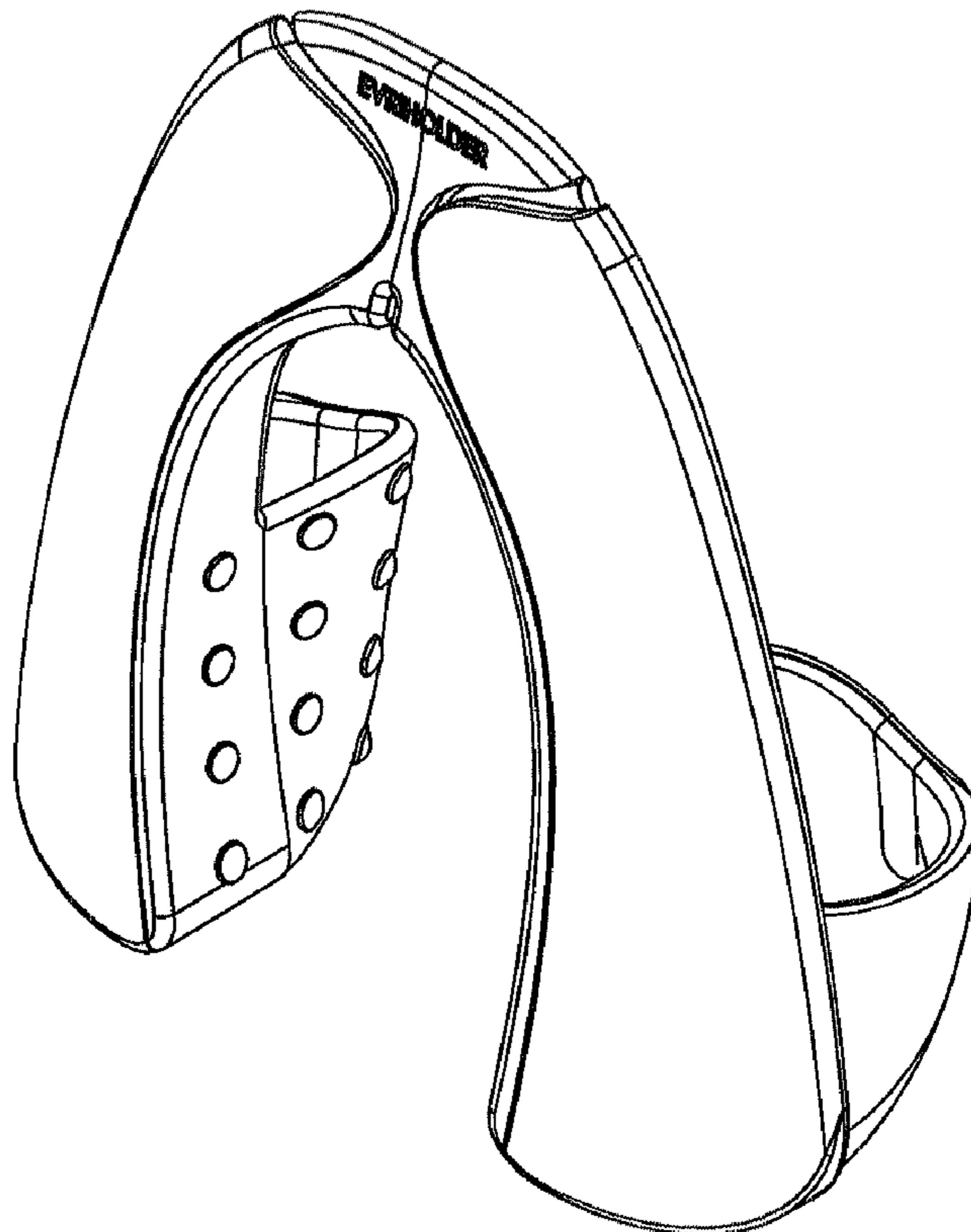
FIG. 8 illustrates a perspective view thereof.

(56) **References Cited**

U.S. PATENT DOCUMENTS

2,573,860 A * 11/1951 Meeker et al. 83/729
2,728,367 A * 12/1955 Brown 83/421

1 Claim, 8 Drawing Sheets



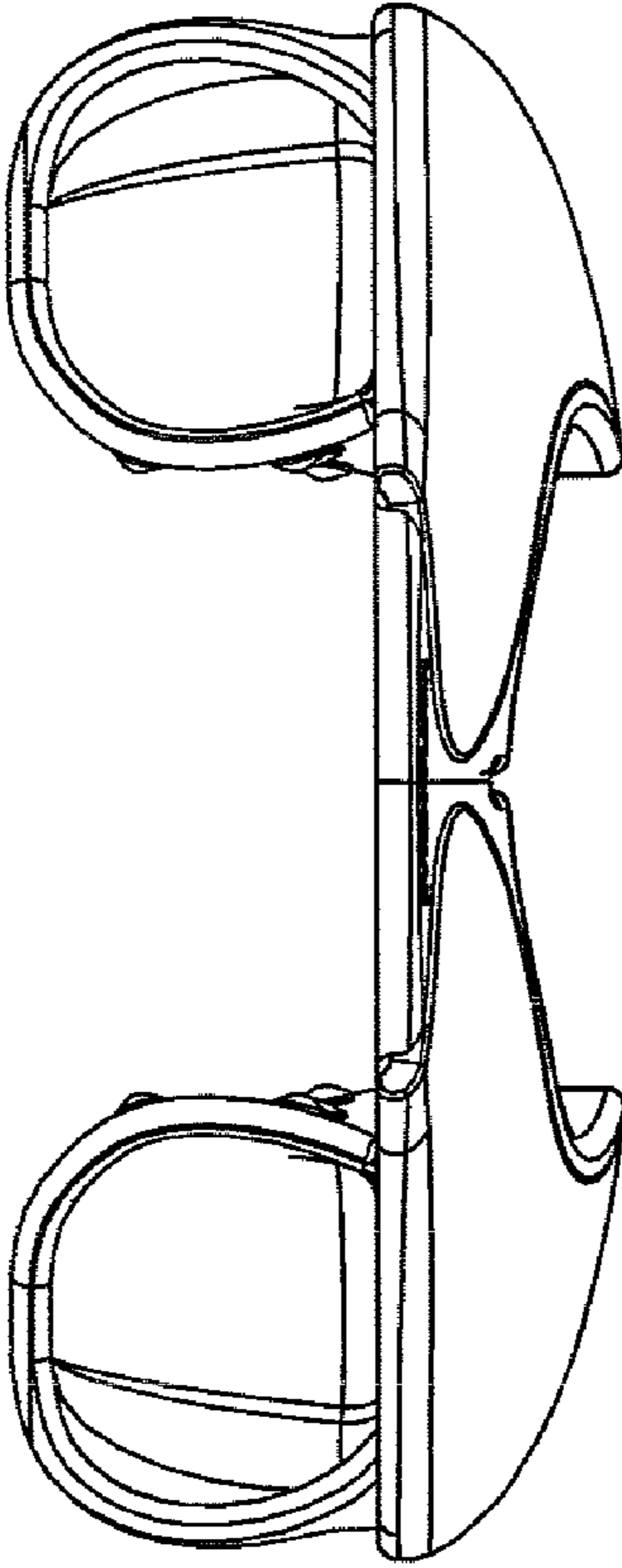


Fig. 1

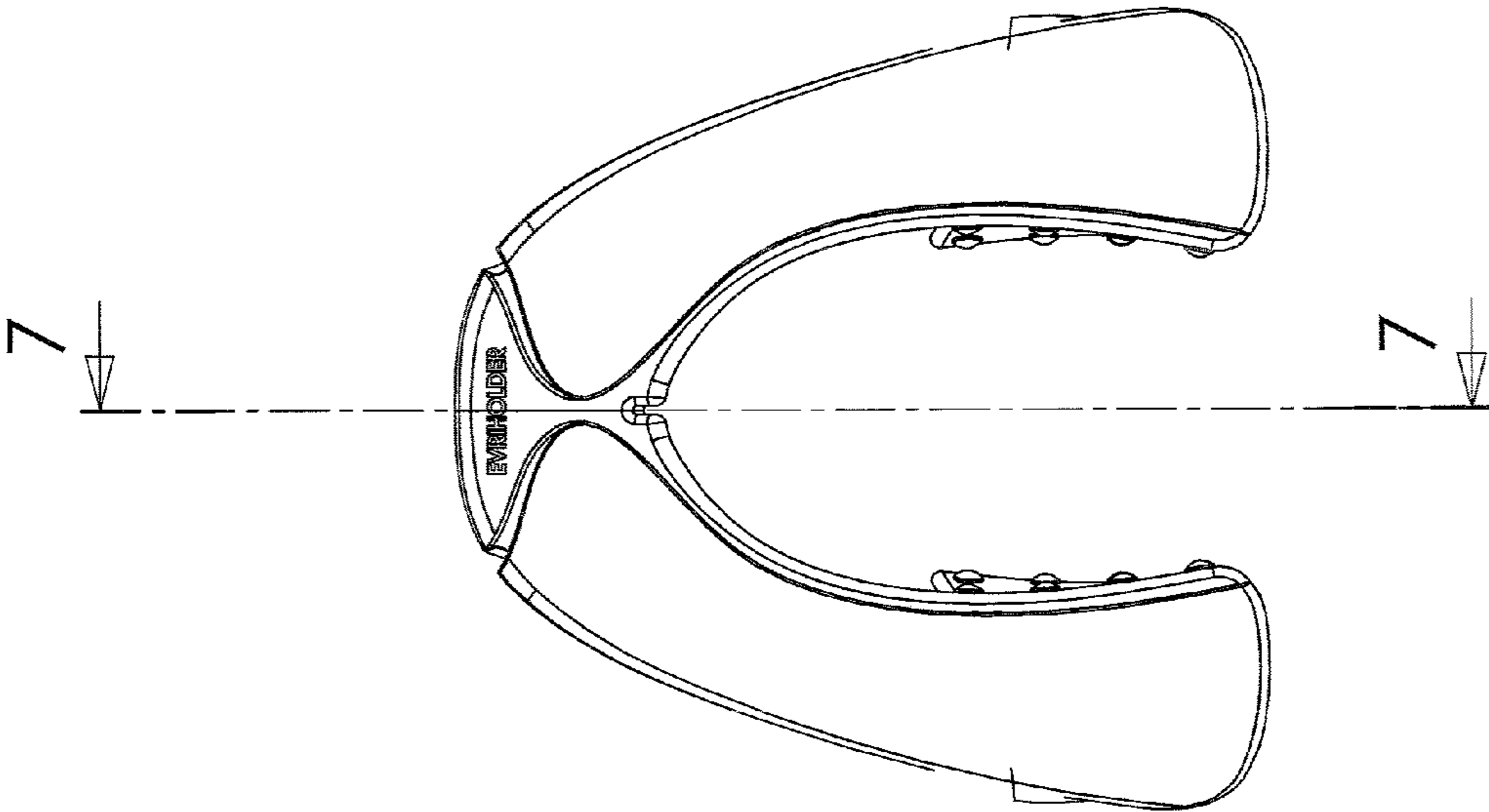


Fig. 2

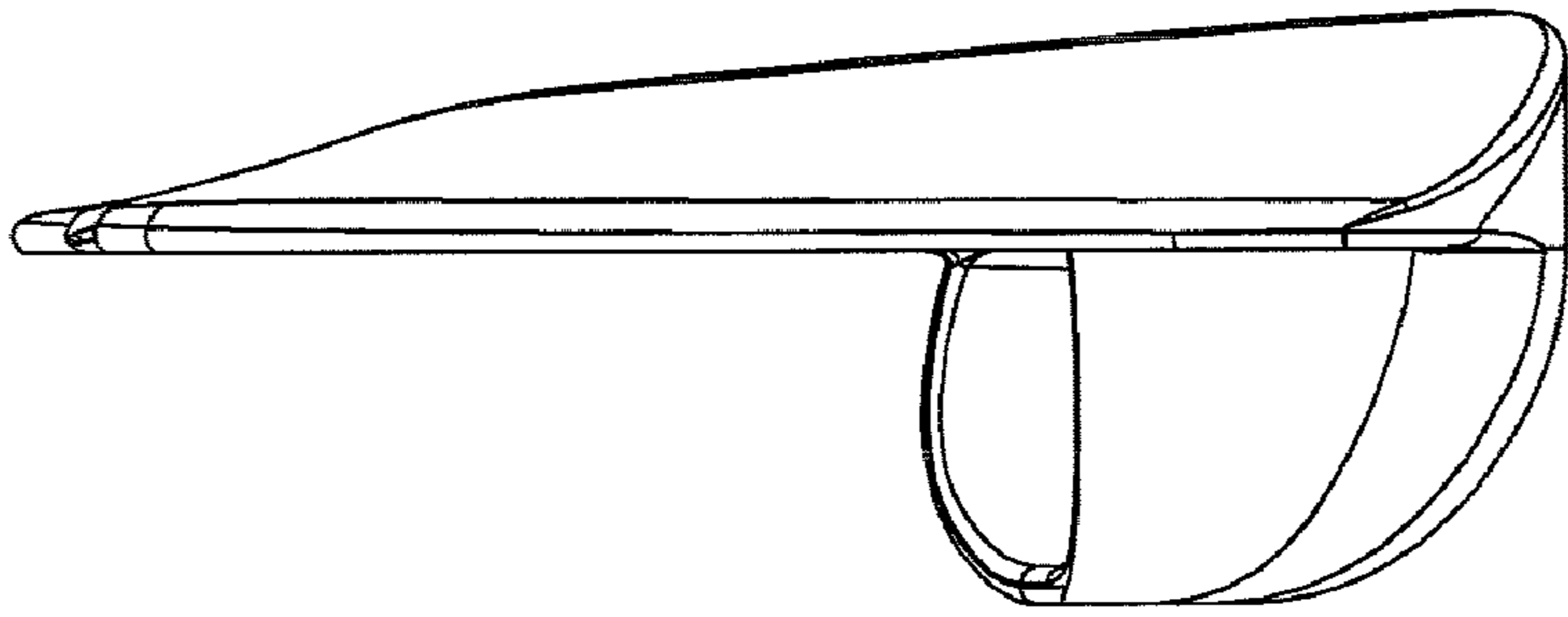


Fig. 3

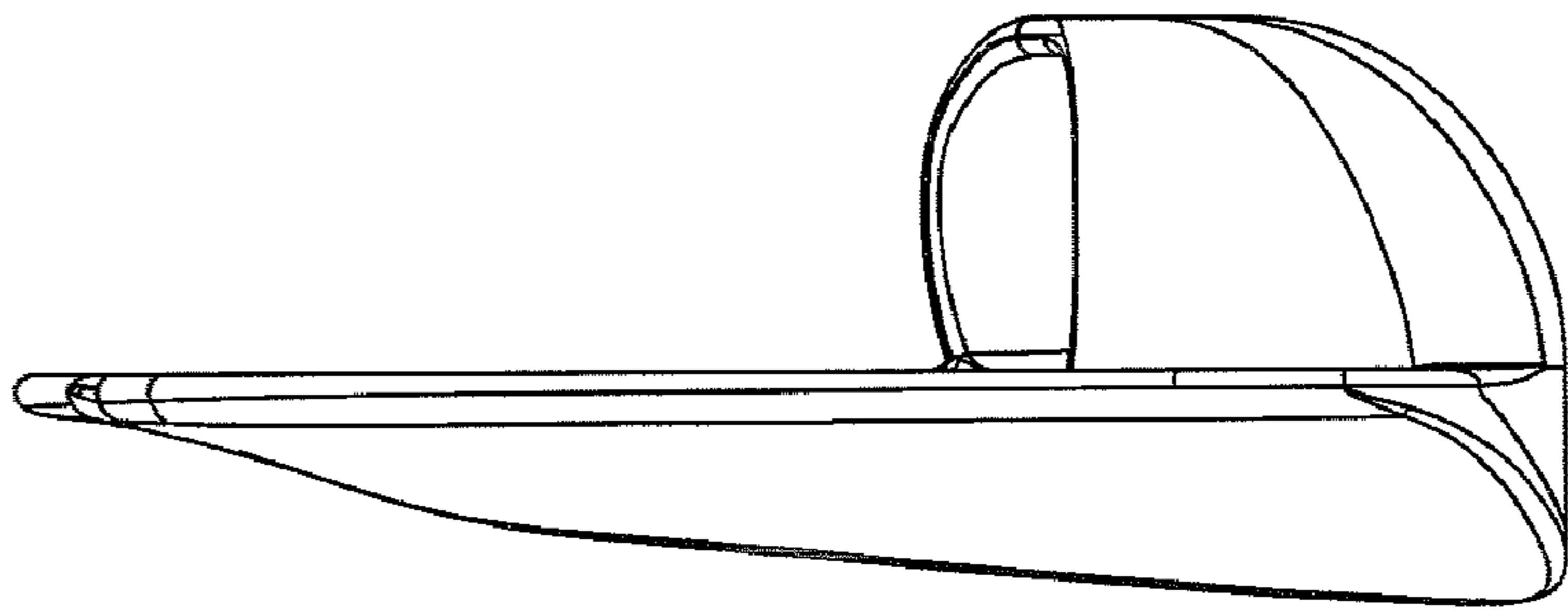


Fig. 4

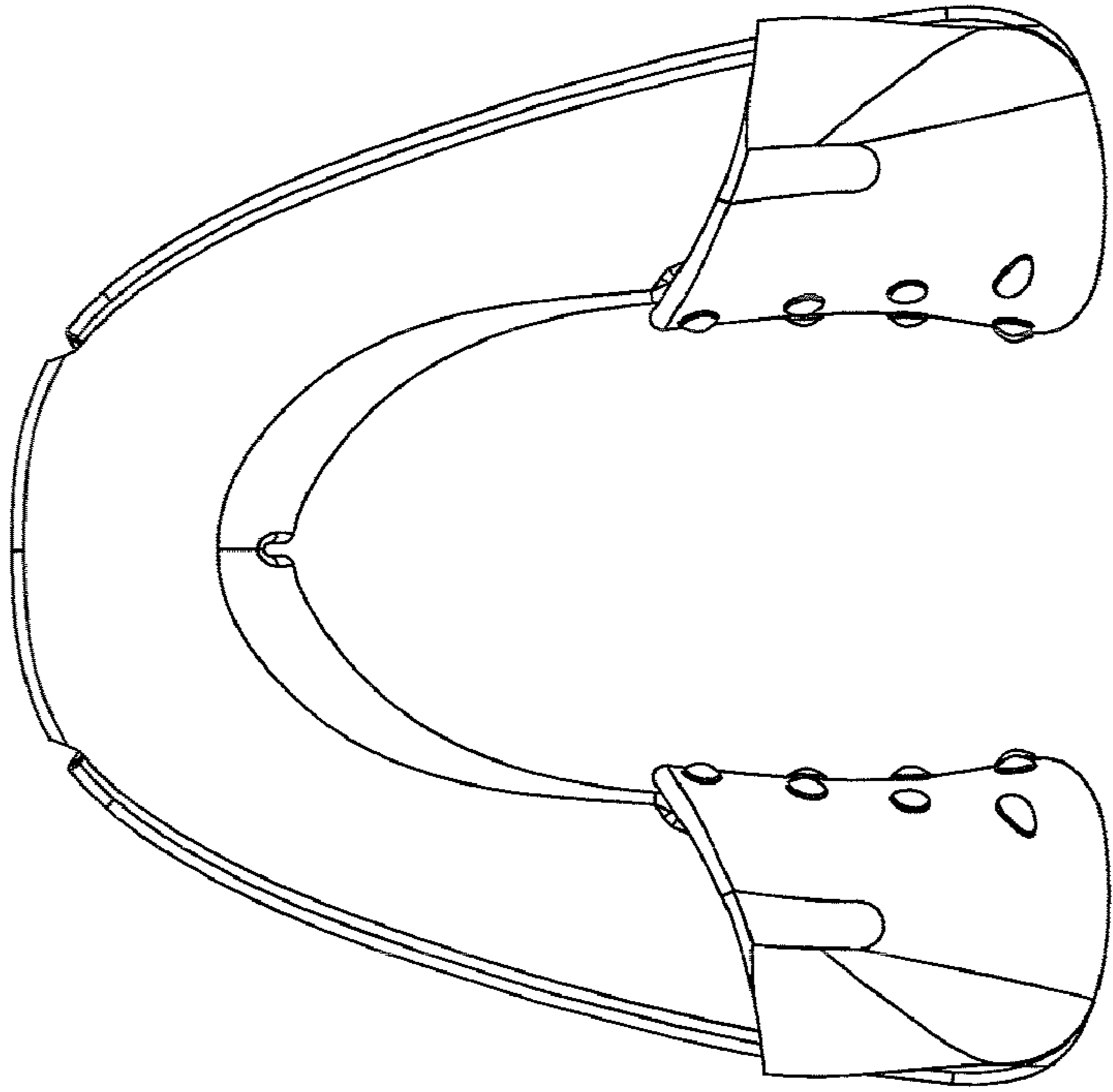


Fig. 5

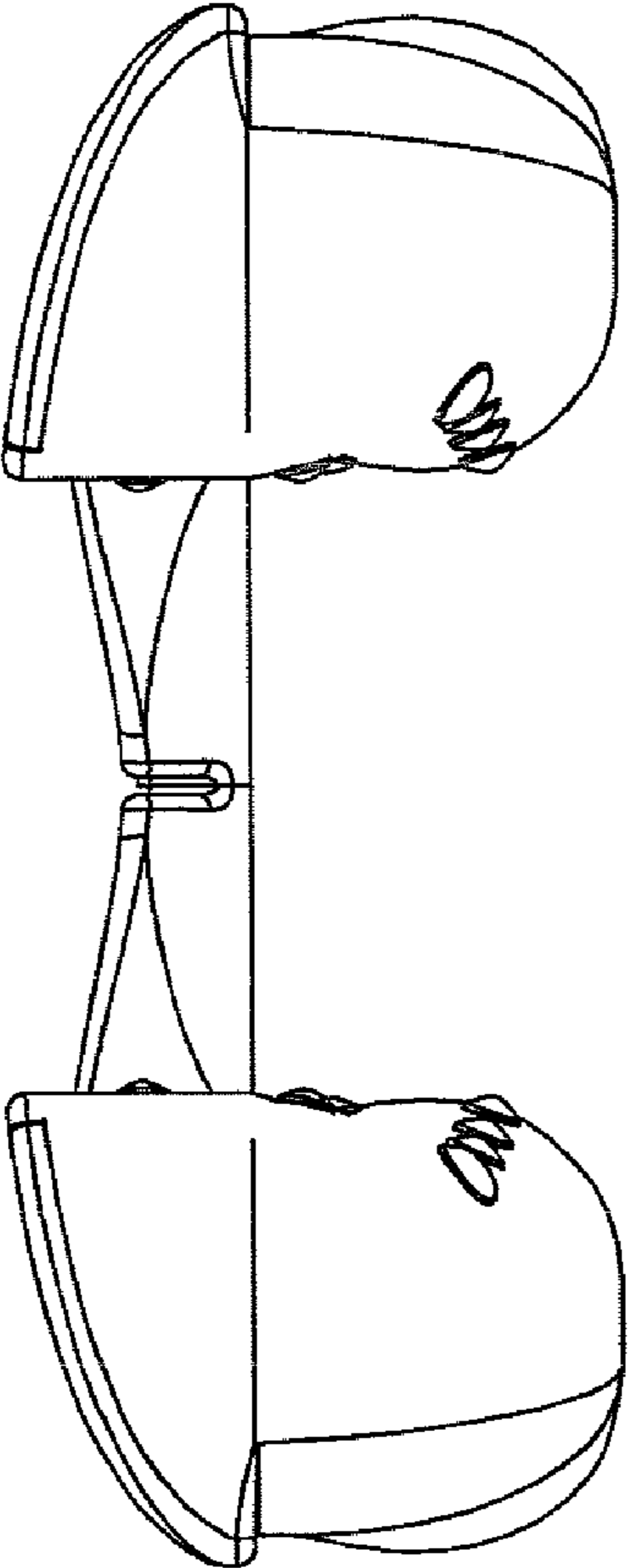


Fig. 6

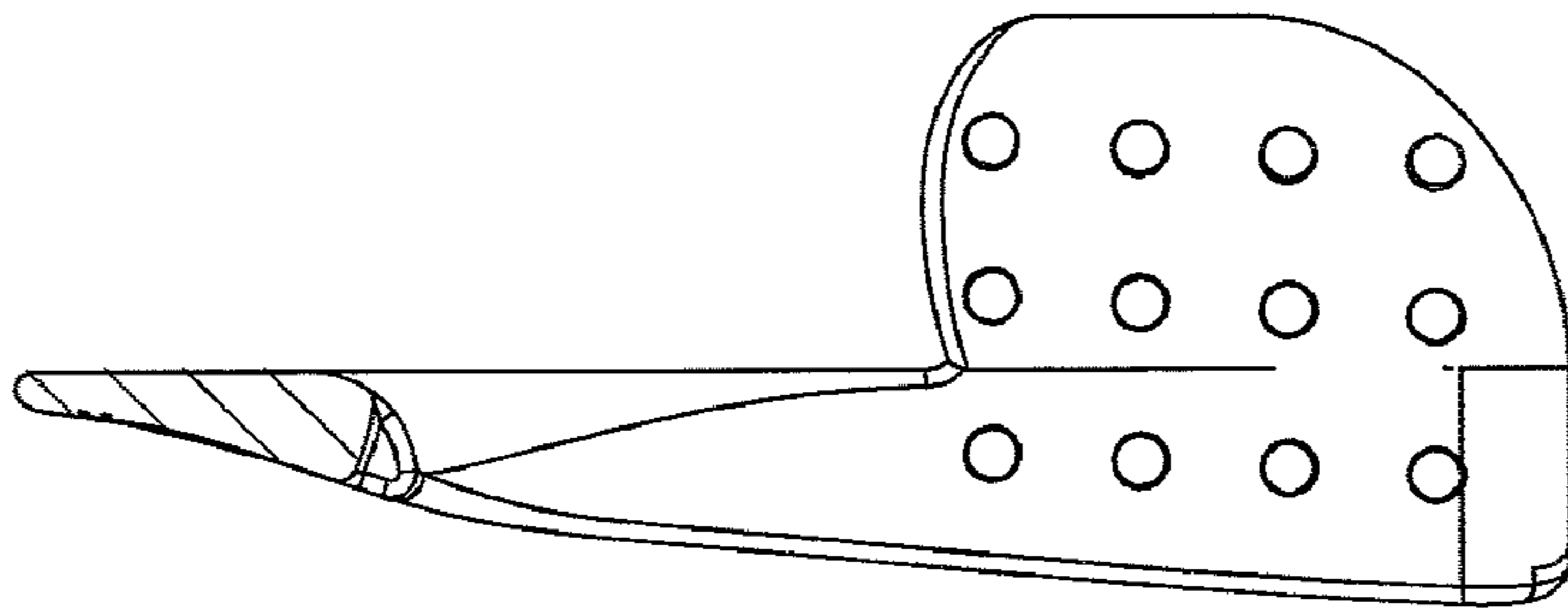


Fig. 7

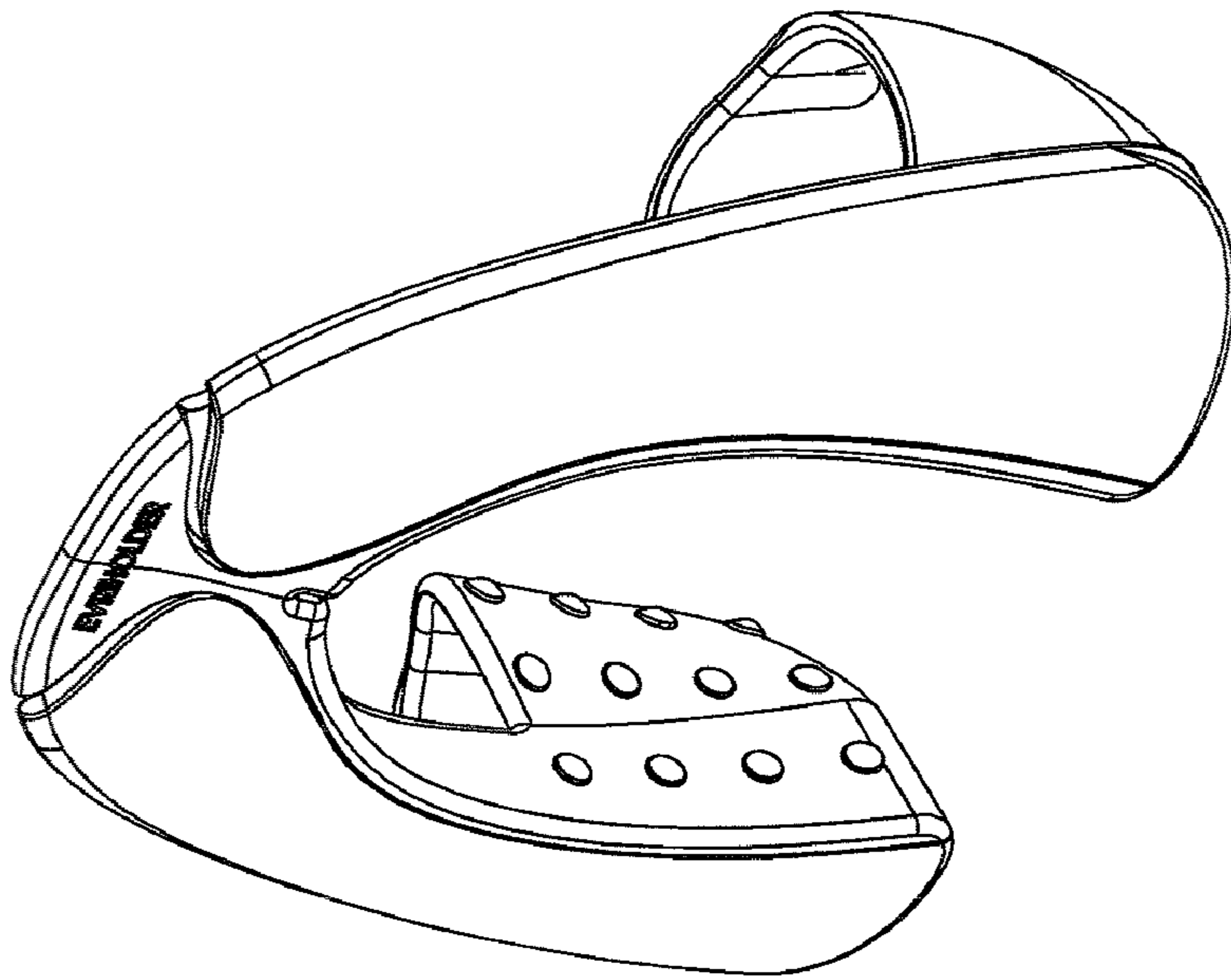


Fig. 8