



US00D598238S

(12) **United States Design Patent**
Durdon et al.

(10) **Patent No.:** **US D598,238 S**
(45) **Date of Patent:** **** Aug. 18, 2009**

(54) **CURVED WALL SOUFFLE DISH**

(75) Inventors: **Terrance N. Durdon**, Brantford (CA);
Mark D. Johnston, Burlington (CA);
Robert M. Geenen, Stoney Creek (CA)

(73) Assignee: **Amhil Enterprises**, Mississauga (CA)

(**) Term: **14 Years**

(21) Appl. No.: **29/331,372**

(22) Filed: **Jan. 23, 2009**

(51) **LOC (9) Cl.** **07-02**

(52) **U.S. Cl.** **D7/354**

(58) **Field of Classification Search** D7/323,
D7/354-361, 365, 378-379, 513, 523, 532,
D7/542-543, 545, 560, 584-588, 602; D9/425,
D9/428, 778; D11/152; 47/39, 41.01, 66.6;
99/422, 425, 445; 219/620-621, 725-730;
220/573.1-574, 769, 912; 229/400

See application file for complete search history.

(56) **References Cited**

U.S. PATENT DOCUMENTS

D20,335 S *	11/1890	Whilldin	D11/152
3,128,029 A *	4/1964	Price et al.	229/400
D202,507 S *	10/1965	Shelby	D7/523
D250,397 S *	11/1978	Christian	D9/778
D258,338 S *	2/1981	Gersin	D7/584
D272,213 S *	1/1984	Daenen	D7/523
D286,726 S *	11/1986	Daenen et al.	D7/587
D368,234 S *	3/1996	Dickinson et al.	D11/152
D394,189 S *	5/1998	Reynaert et al.	D7/584
D398,557 S *	9/1998	Grosfillex	D11/152
D429,150 S *	8/2000	Lindsay et al.	D9/425
D453,094 S *	1/2002	Maggard et al.	D7/584
D474,110 S *	5/2003	Sweeney	D9/428

(Continued)

Primary Examiner—Caron Veynar

Assistant Examiner—Ricky Pham

(74) *Attorney, Agent, or Firm*—Gowan Intellectual Property

(57) **CLAIM**

The ornamental design for a curved wall souffle dish, as shown and described.

DESCRIPTION

FIG. 1 is a top view of a first variant of a curved wall souffle dish, according to the present application;

FIG. 2 is a side view thereof;

FIG. 3 is a bottom view thereof;

FIG. 4 is a front perspective view thereof;

FIG. 5 is a top view of a second variant of a curved wall souffle dish, according to the present application;

FIG. 6 is a side view thereof;

FIG. 7 is a bottom view thereof;

FIG. 8 is a front perspective view thereof;

FIG. 9 is a top view of a third variant of a curved wall souffle dish, according to the present application;

FIG. 10 is a side view thereof;

FIG. 11 is a bottom view thereof;

FIG. 12 is a front perspective view thereof;

FIG. 13 is a top view of a fourth variant of a curved wall souffle dish, according to the present application;

FIG. 14 is a side view thereof;

FIG. 15 is a bottom view thereof;

FIG. 16 is a front perspective view thereof;

FIG. 17 is a top view of a fifth variant of a curved wall souffle dish, according to the present application;

FIG. 18 is a side view thereof;

FIG. 19 is a bottom view thereof;

FIG. 20 is a front perspective view thereof;

FIG. 21 is a top view of a sixth variant of a curved wall souffle dish, according to the present application;

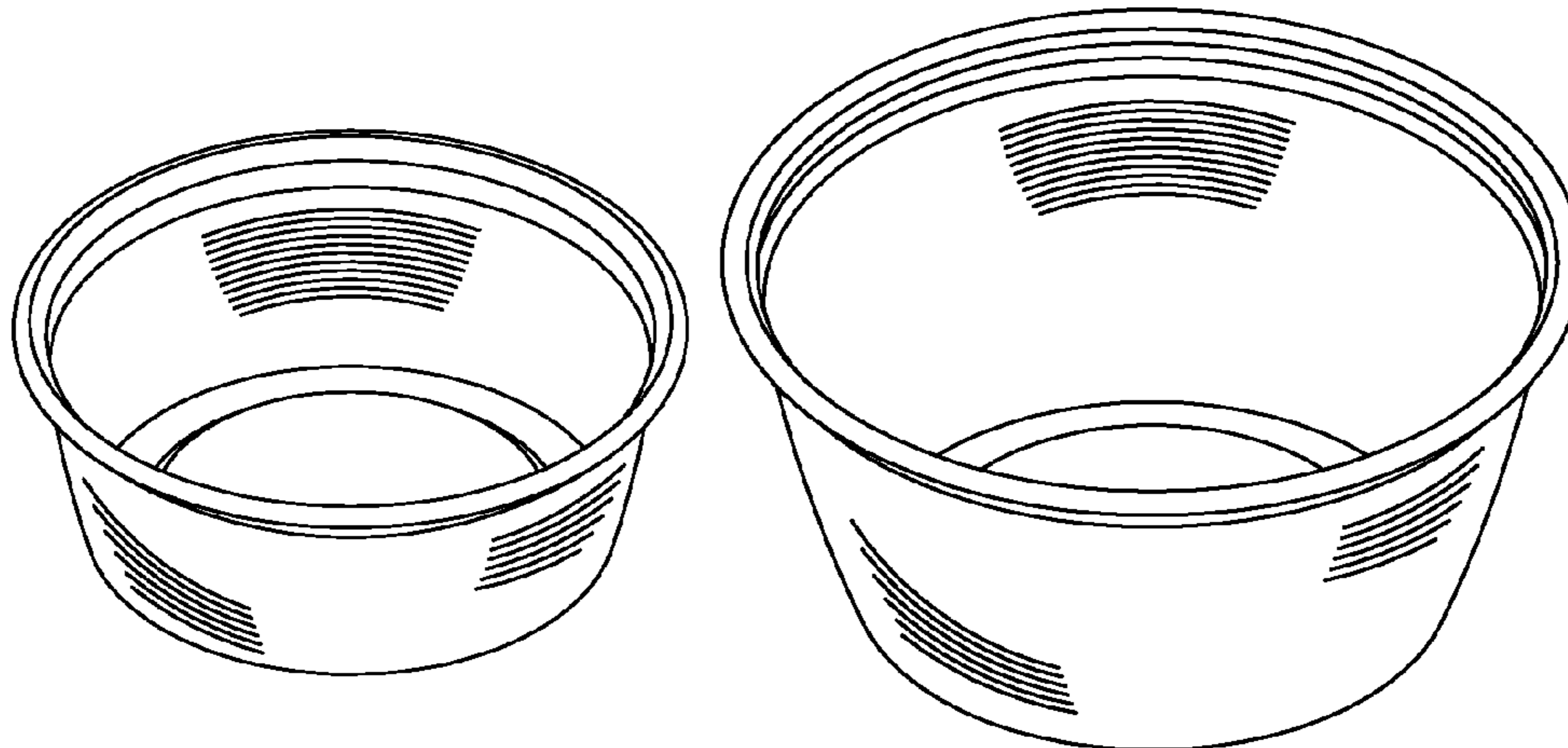
FIG. 22 is a side view thereof;

FIG. 23 is a bottom view thereof; and,

FIG. 24 is a front perspective view thereof.

All side views of each variant, are identical.

1 Claim, 6 Drawing Sheets



US D598,238 S

Page 2

U.S. PATENT DOCUMENTS

D475,243 S *	6/2003	Trazzi	D7/532	D511,074 S *	11/2005	Claypool et al.	D7/602
D478,478 S *	8/2003	Soohee et al.	D7/586	D539,091 S *	3/2007	Mansfield	D7/513
D485,126 S *	1/2004	Watson	D7/584	D552,421 S *	10/2007	Wolf	D7/523
D501,366 S *	2/2005	Claypool et al.	D7/602	D564,394 S *	3/2008	Schmidt	D11/152

* cited by examiner

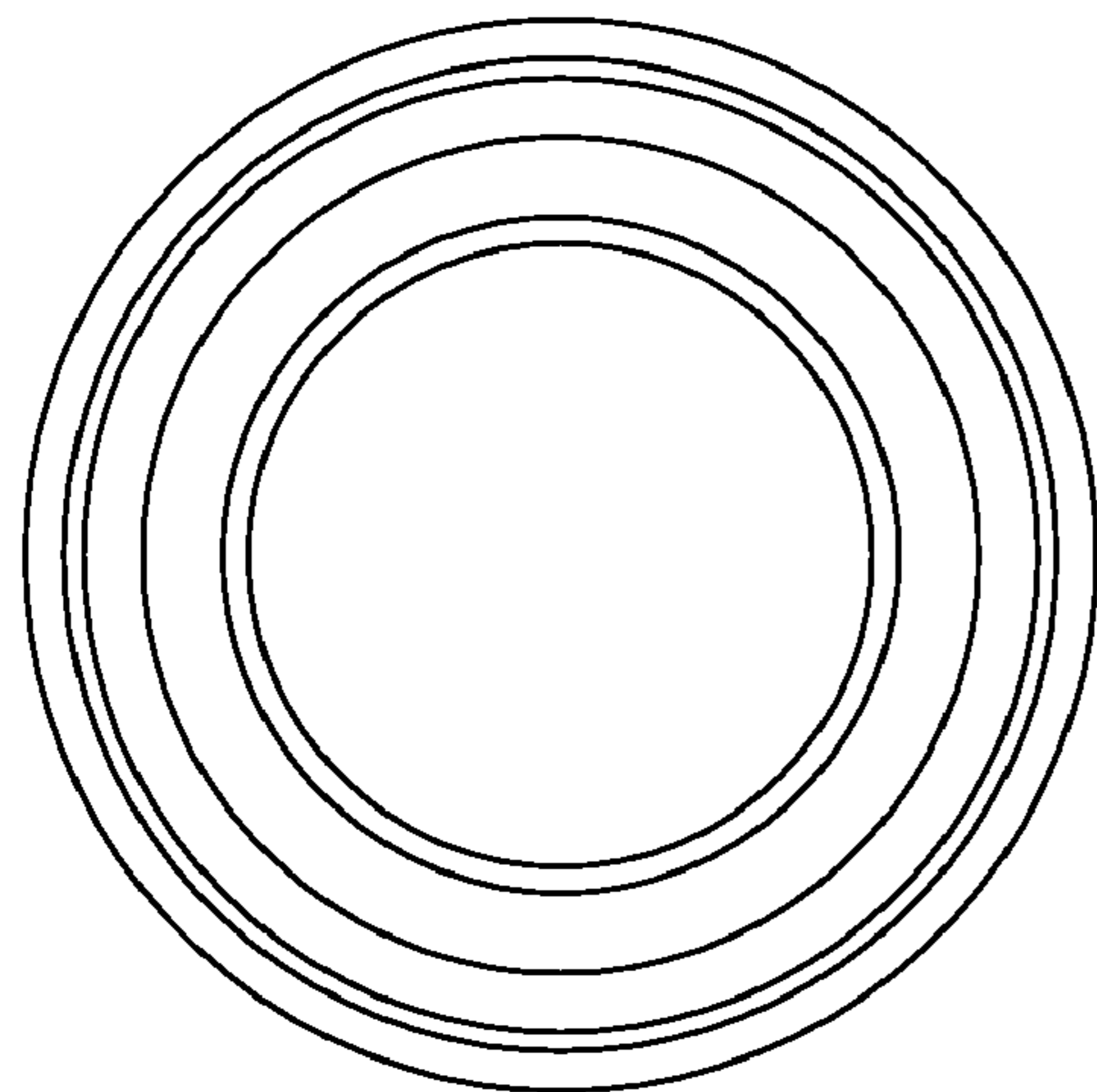


FIGURE #3

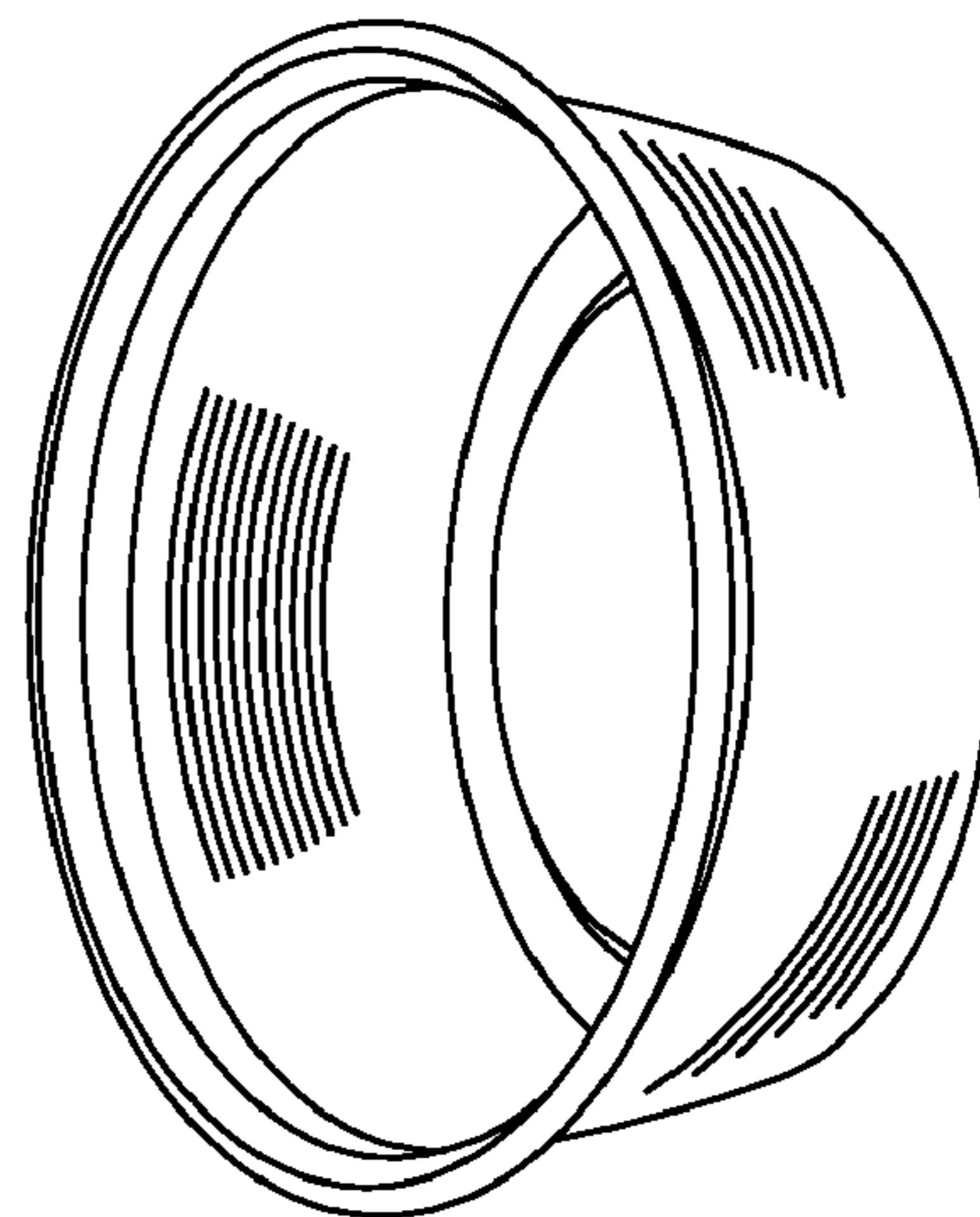


FIGURE #4

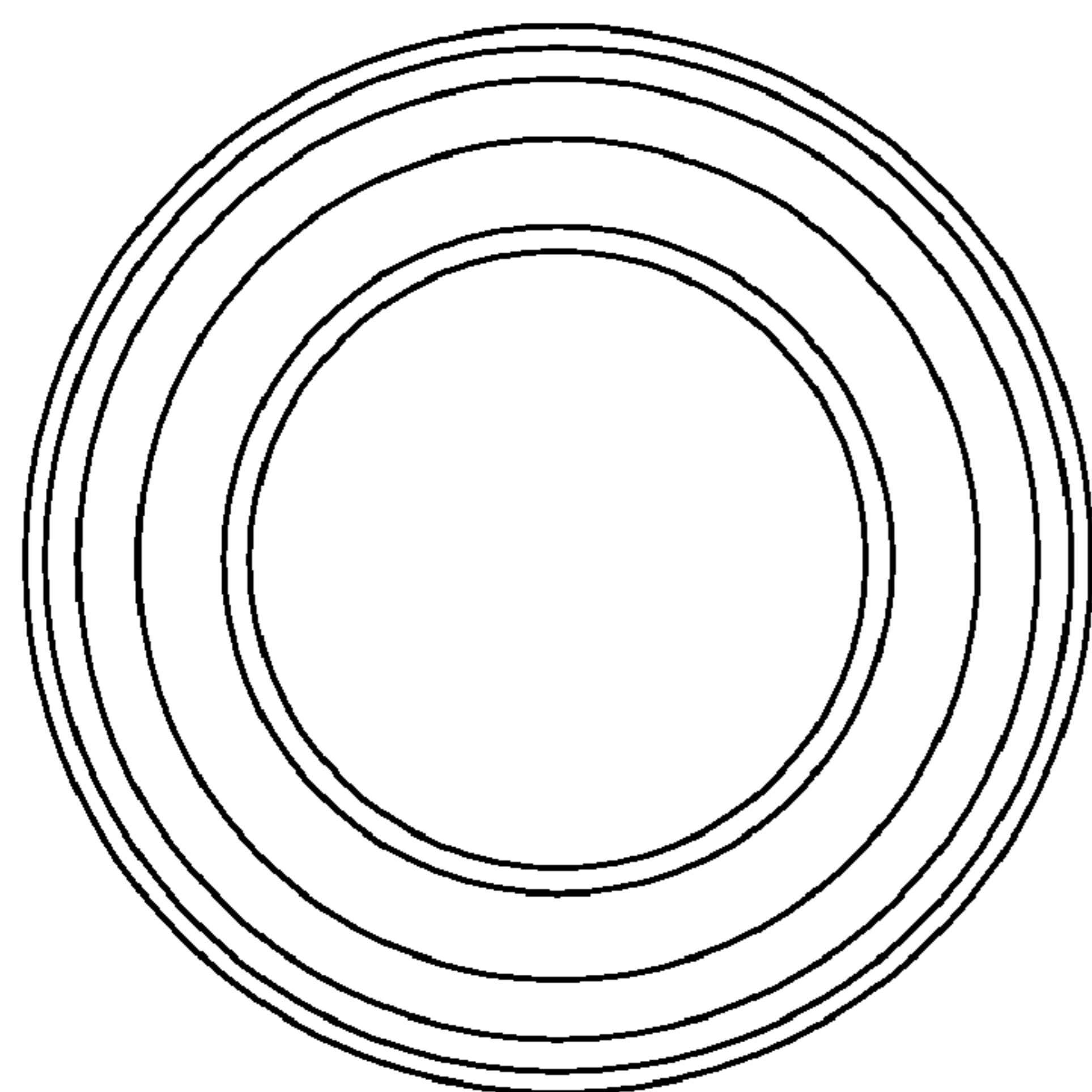


FIGURE #1

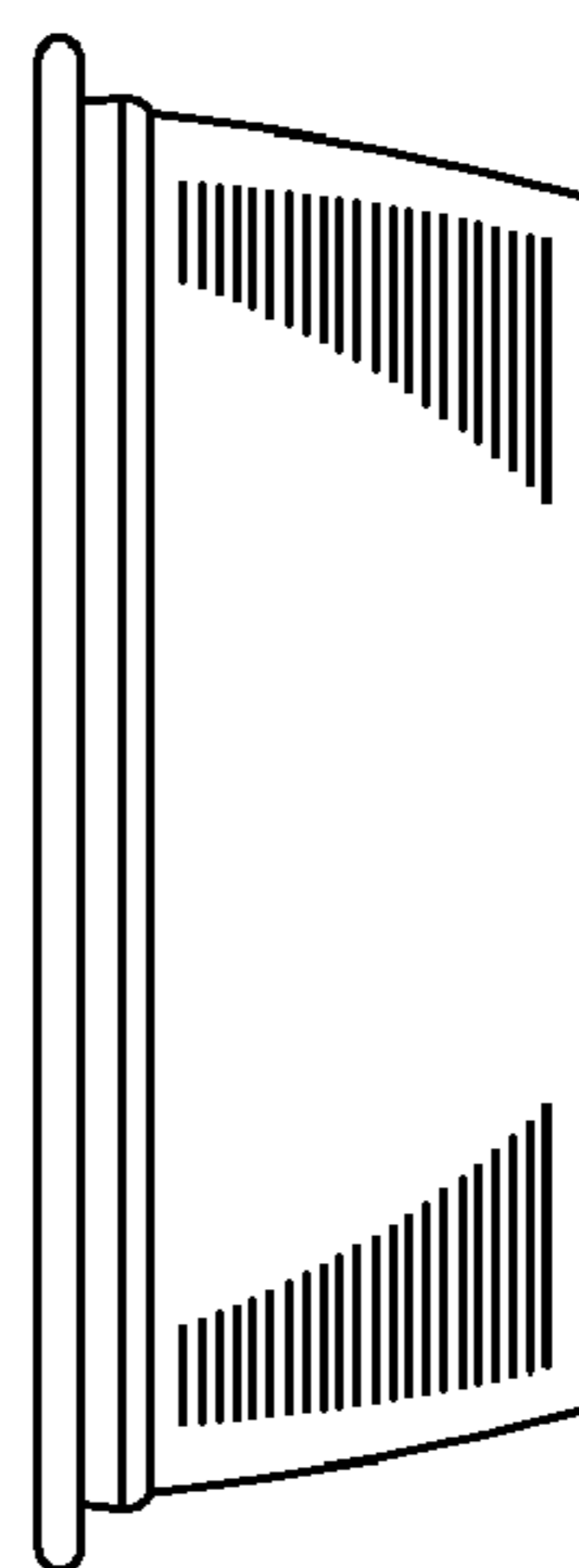


FIGURE #2

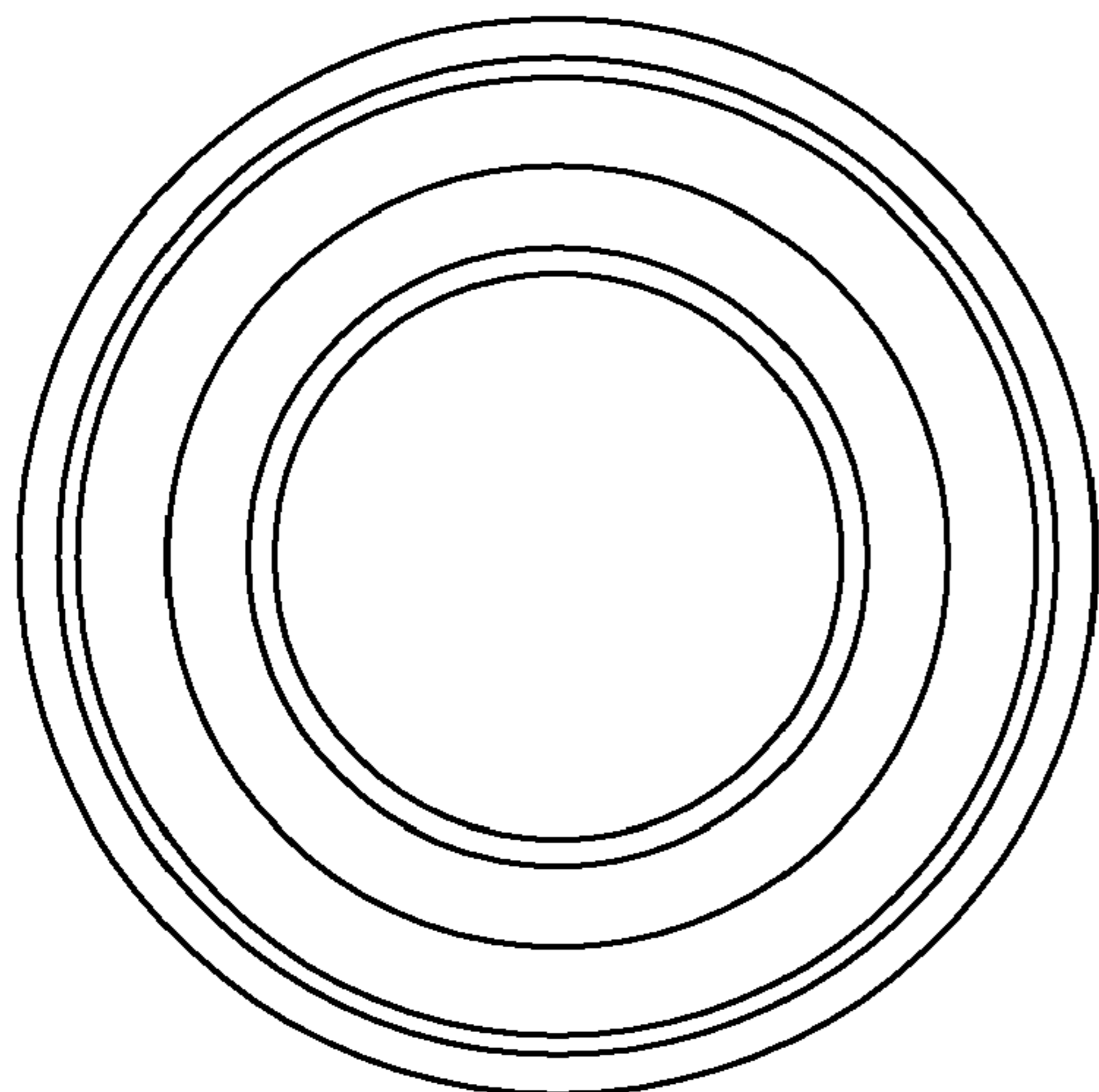


FIGURE #7

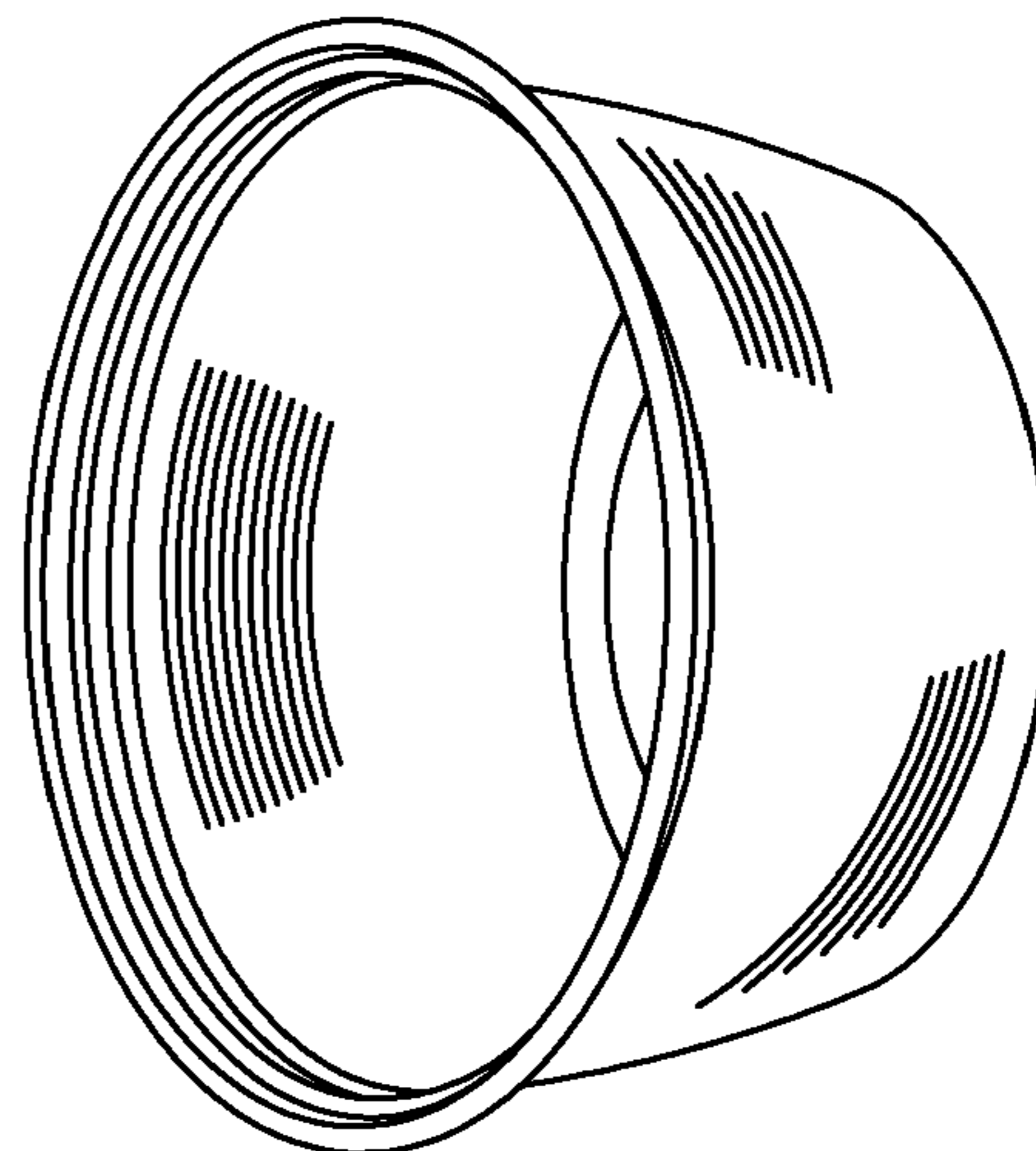


FIGURE #8

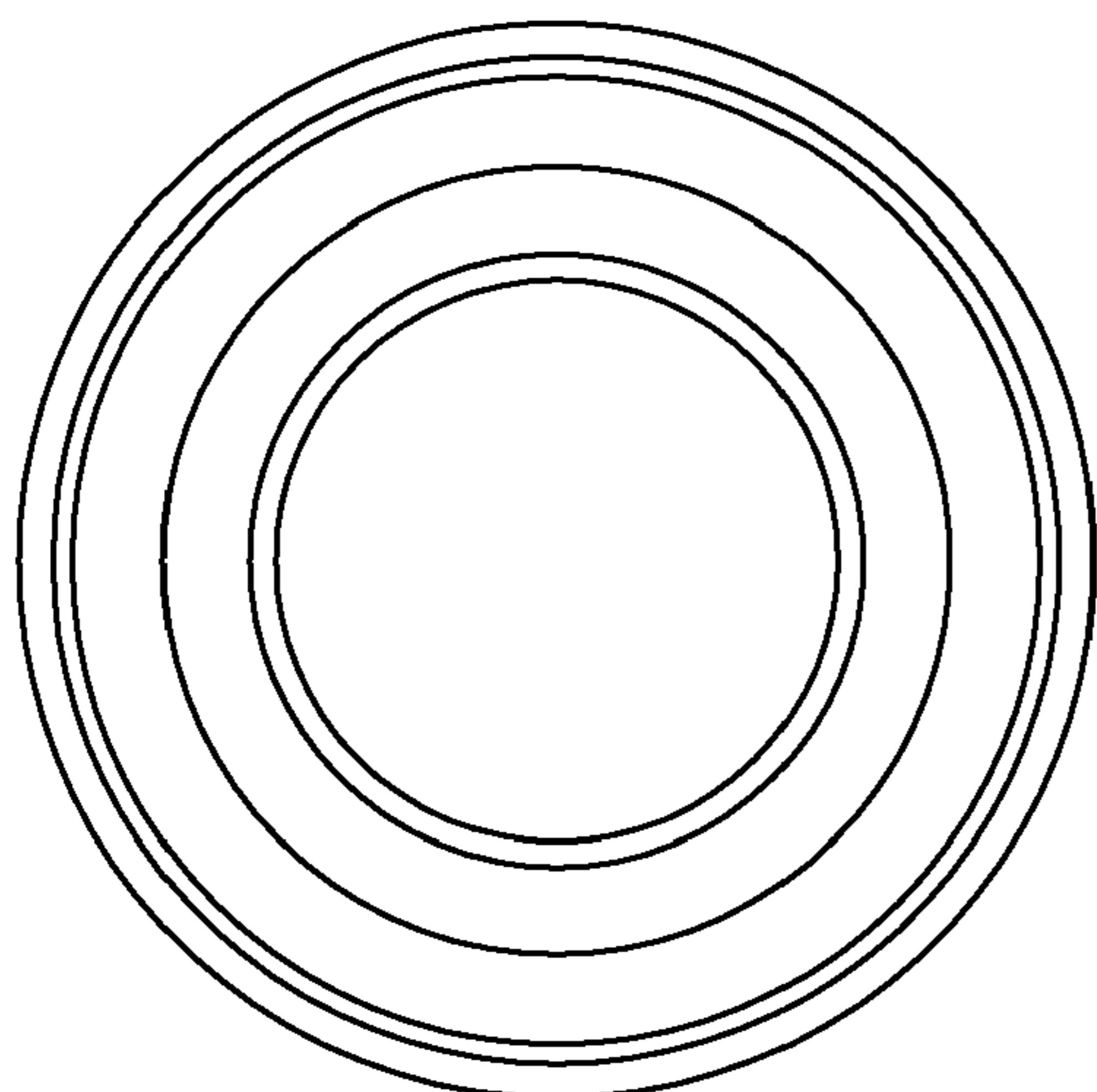


FIGURE #5

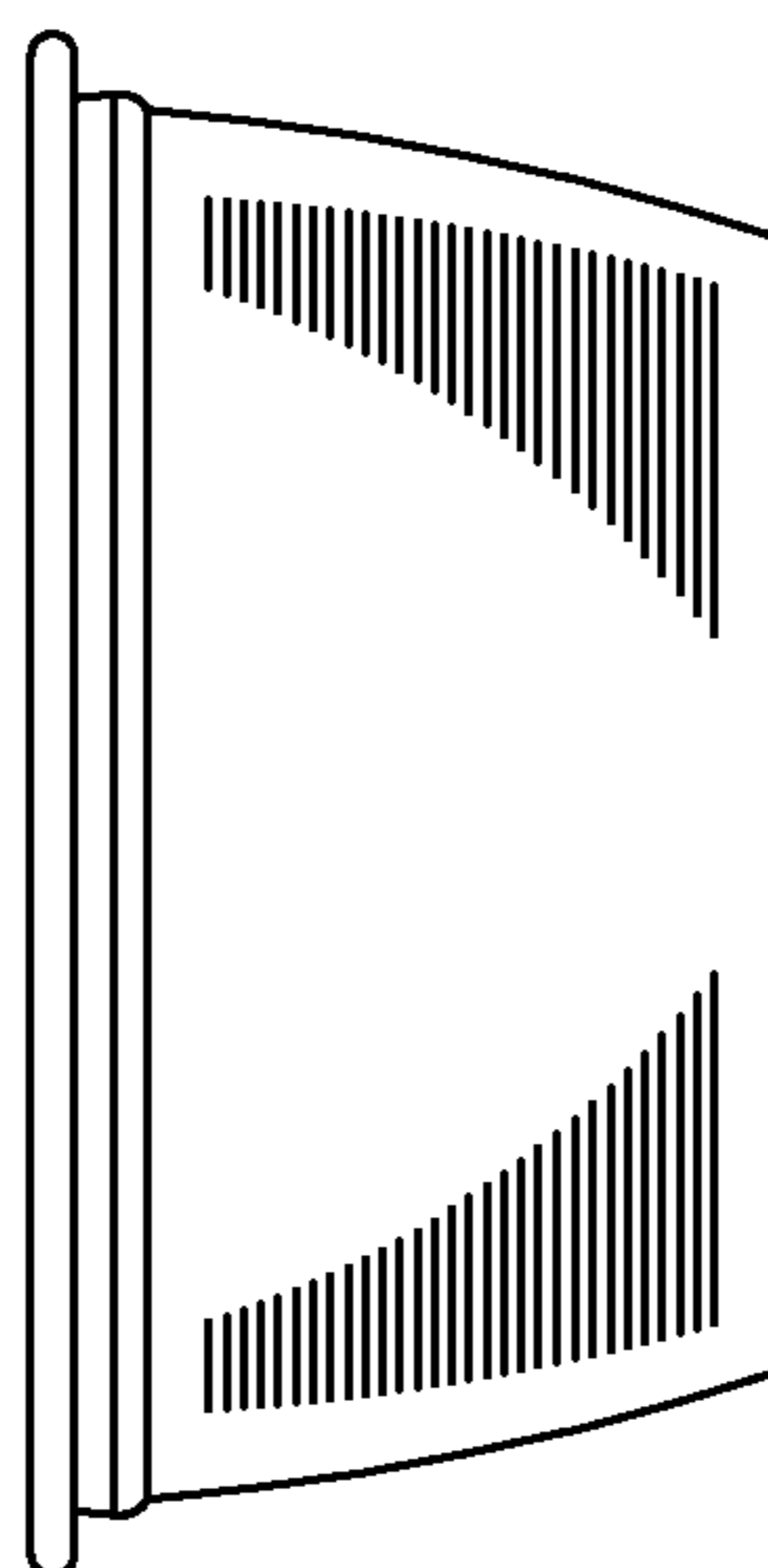


FIGURE #6

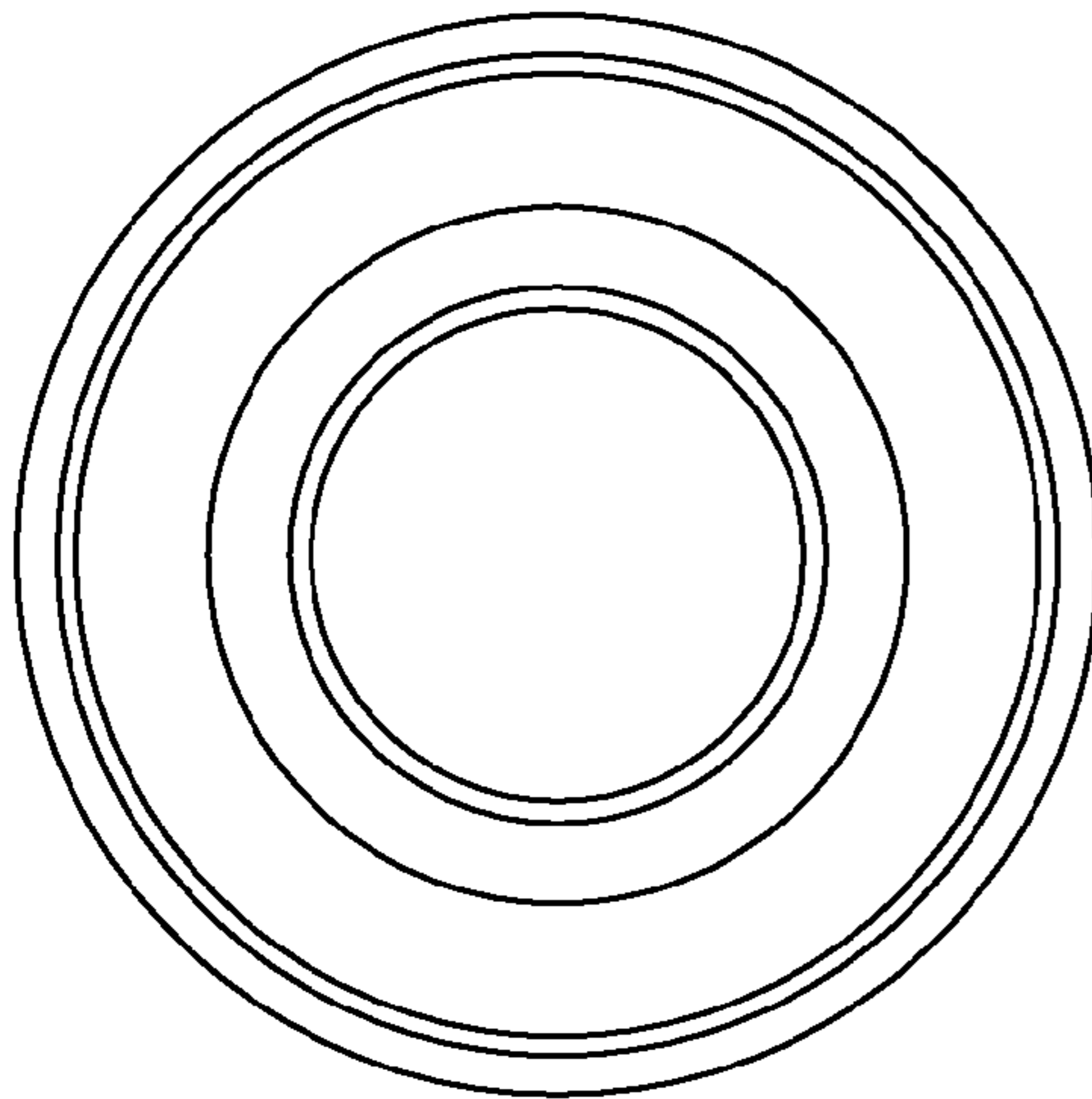


FIGURE #11

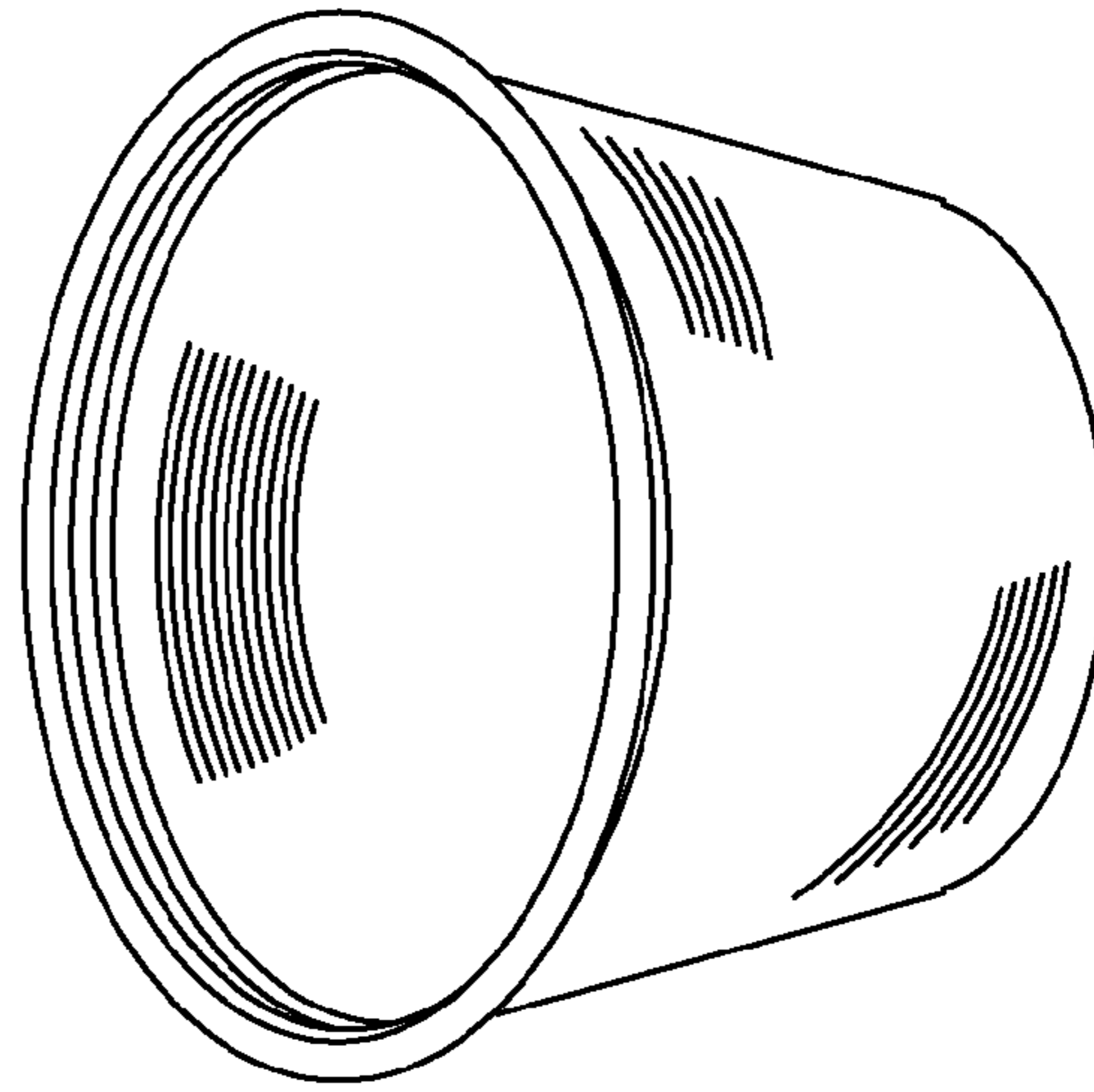


FIGURE #12

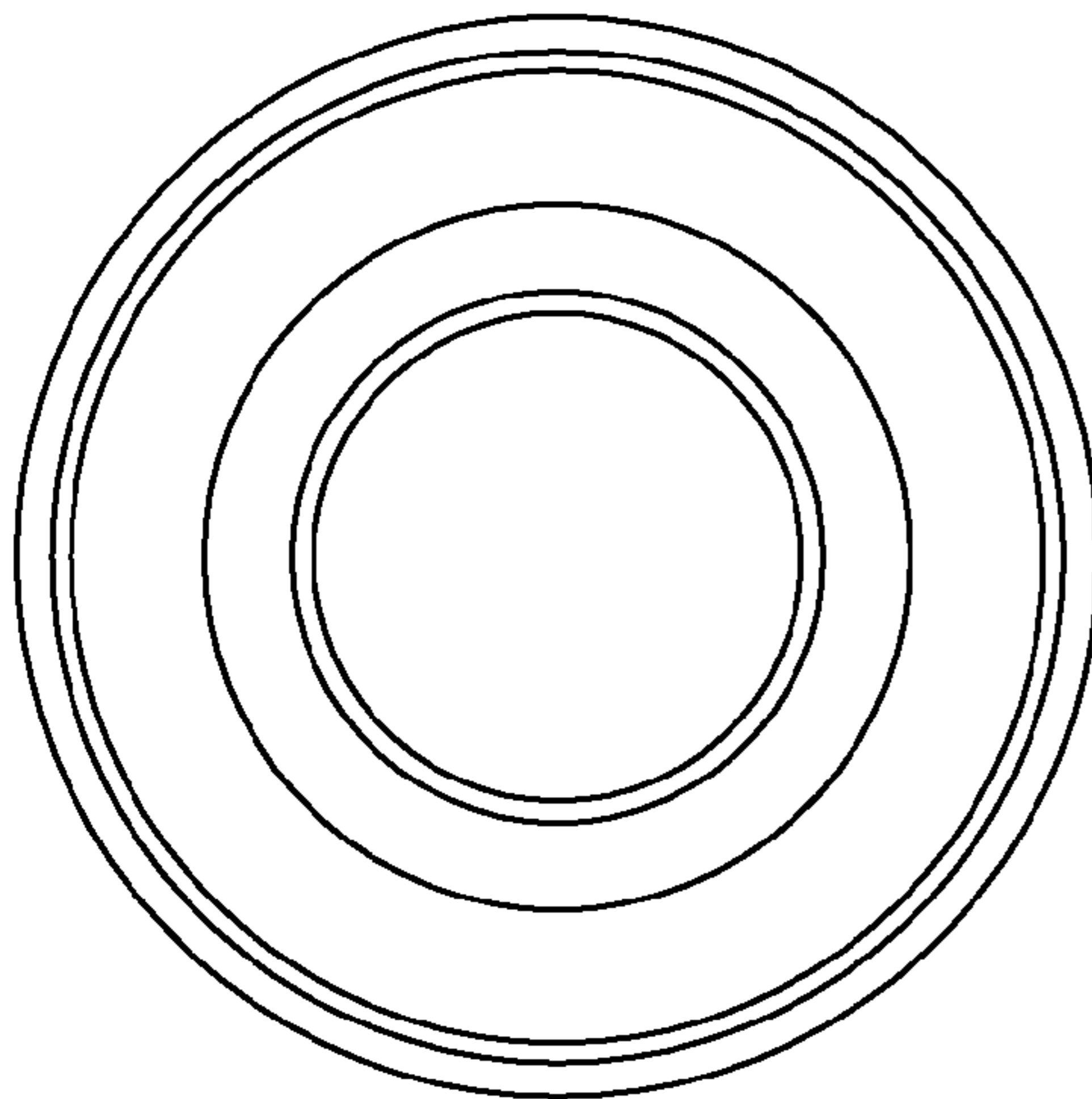


FIGURE #9

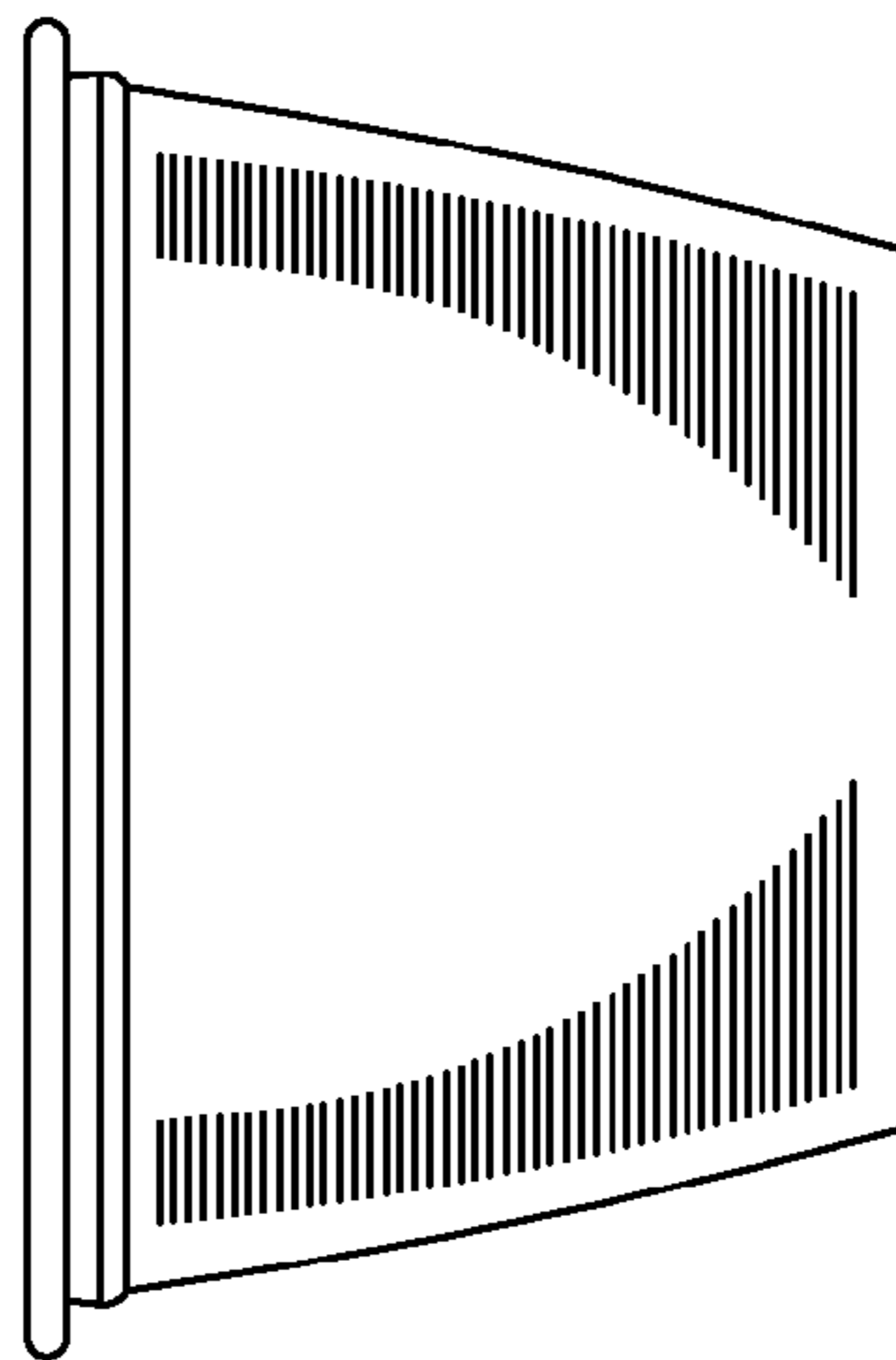


FIGURE #10

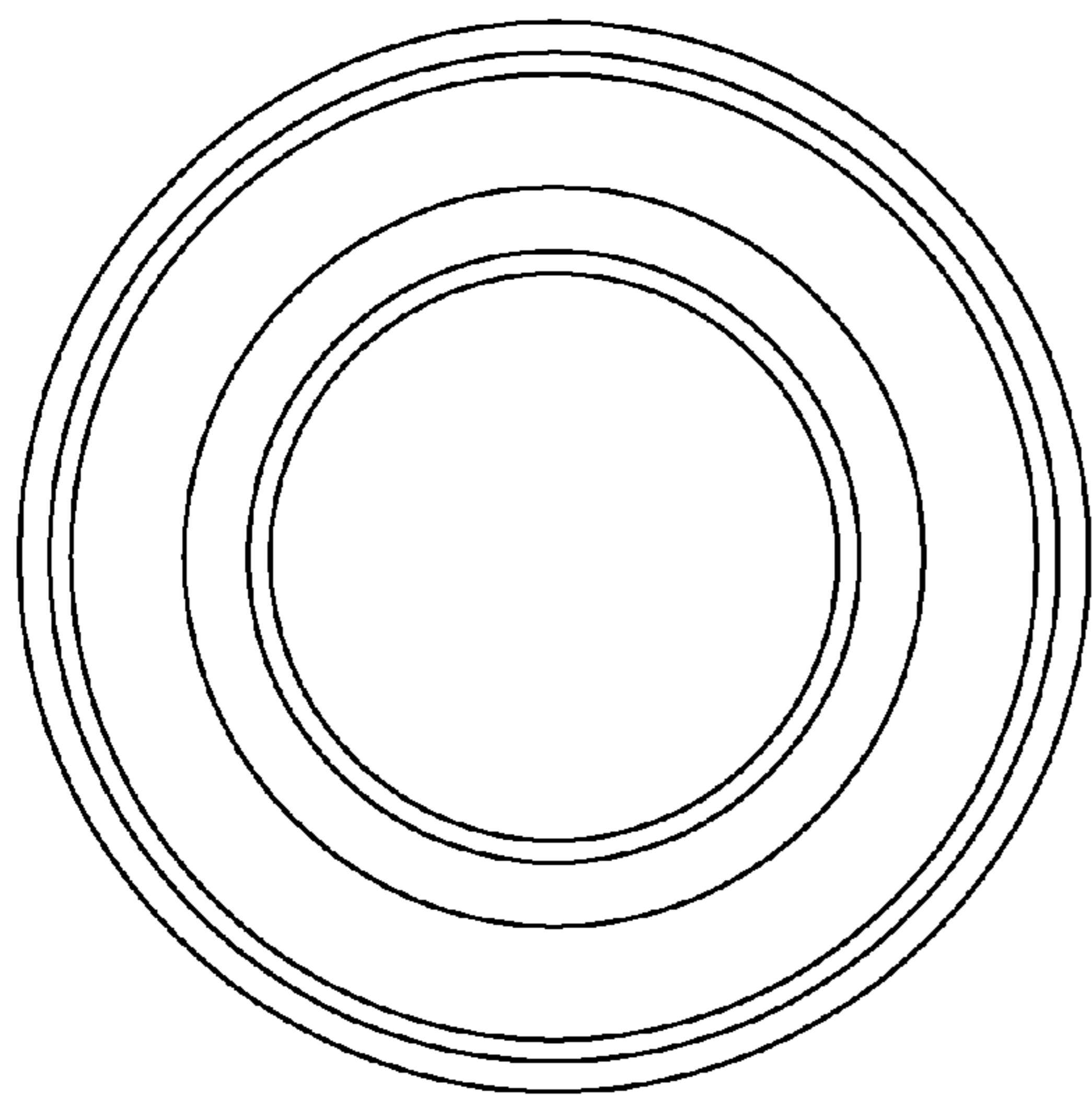


FIGURE #15

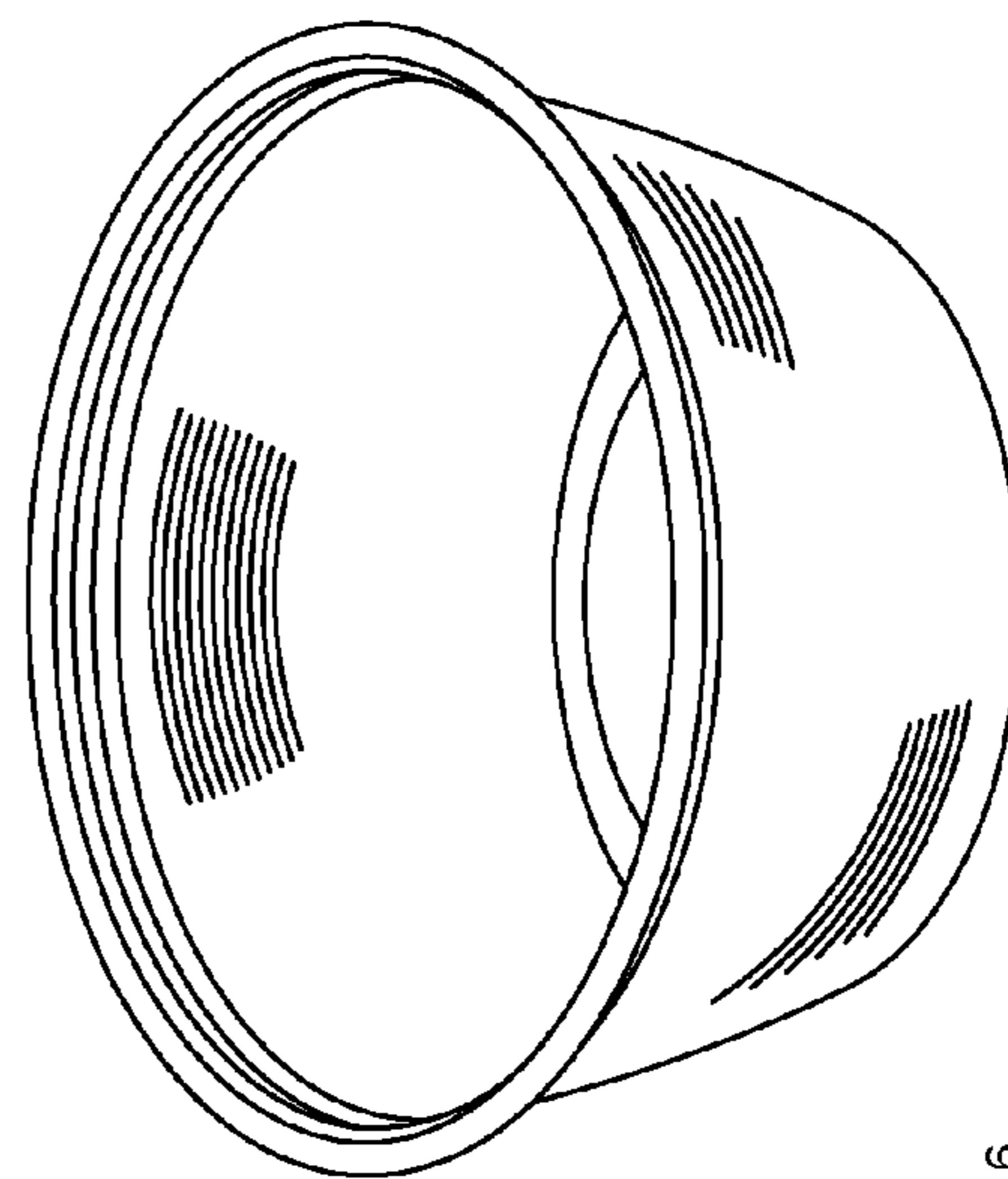


FIGURE #16

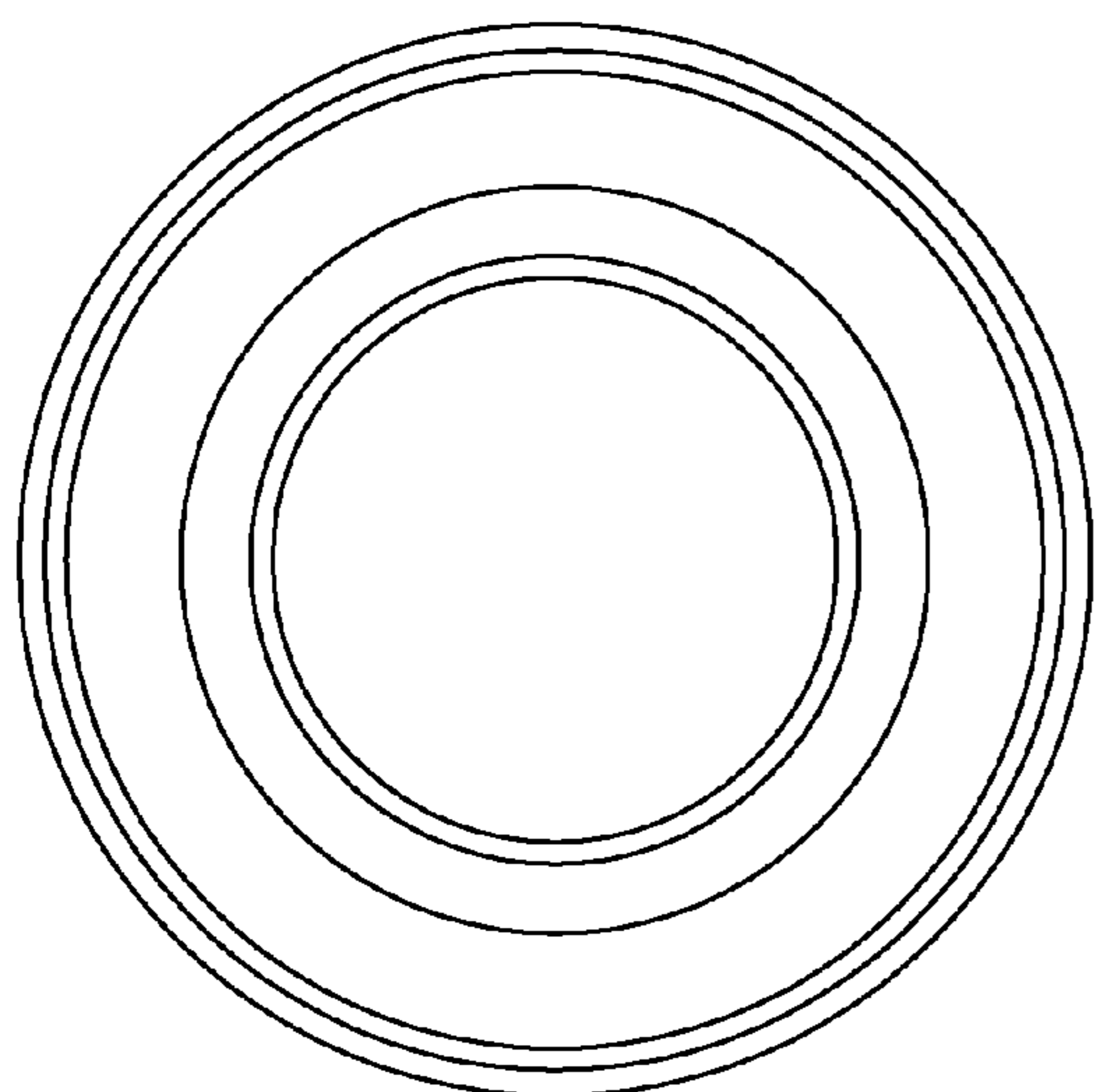


FIGURE #13

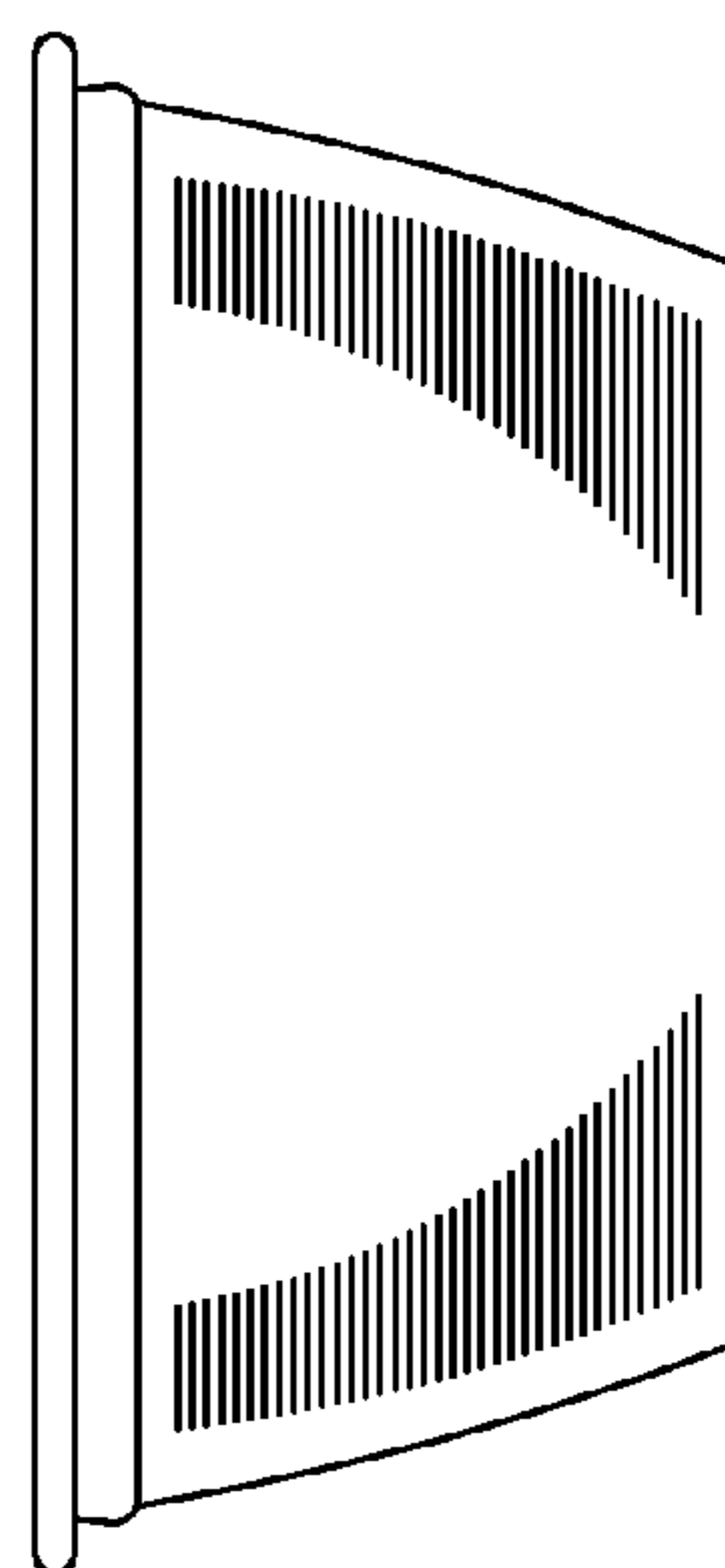


FIGURE #14

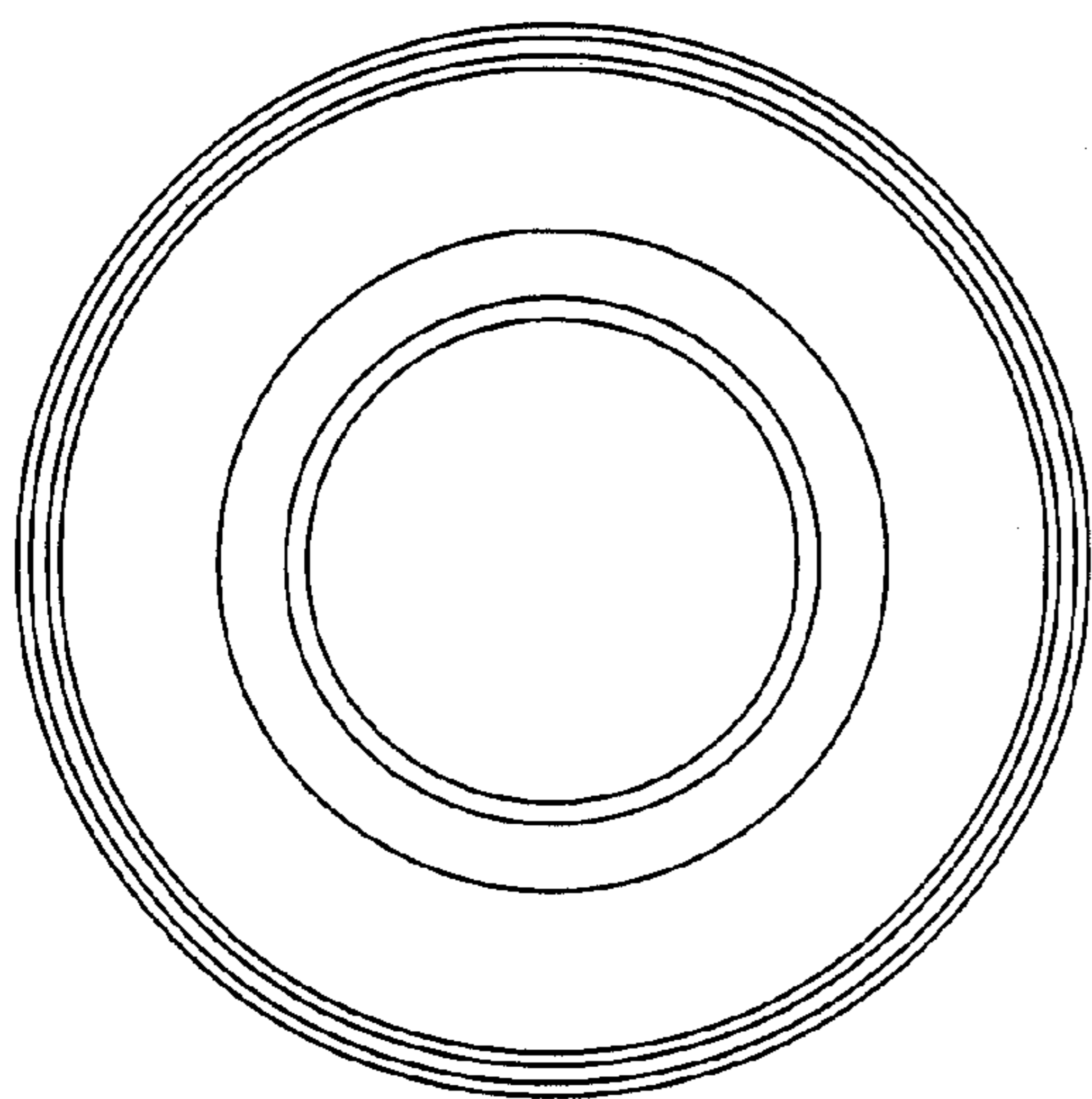


FIGURE #19

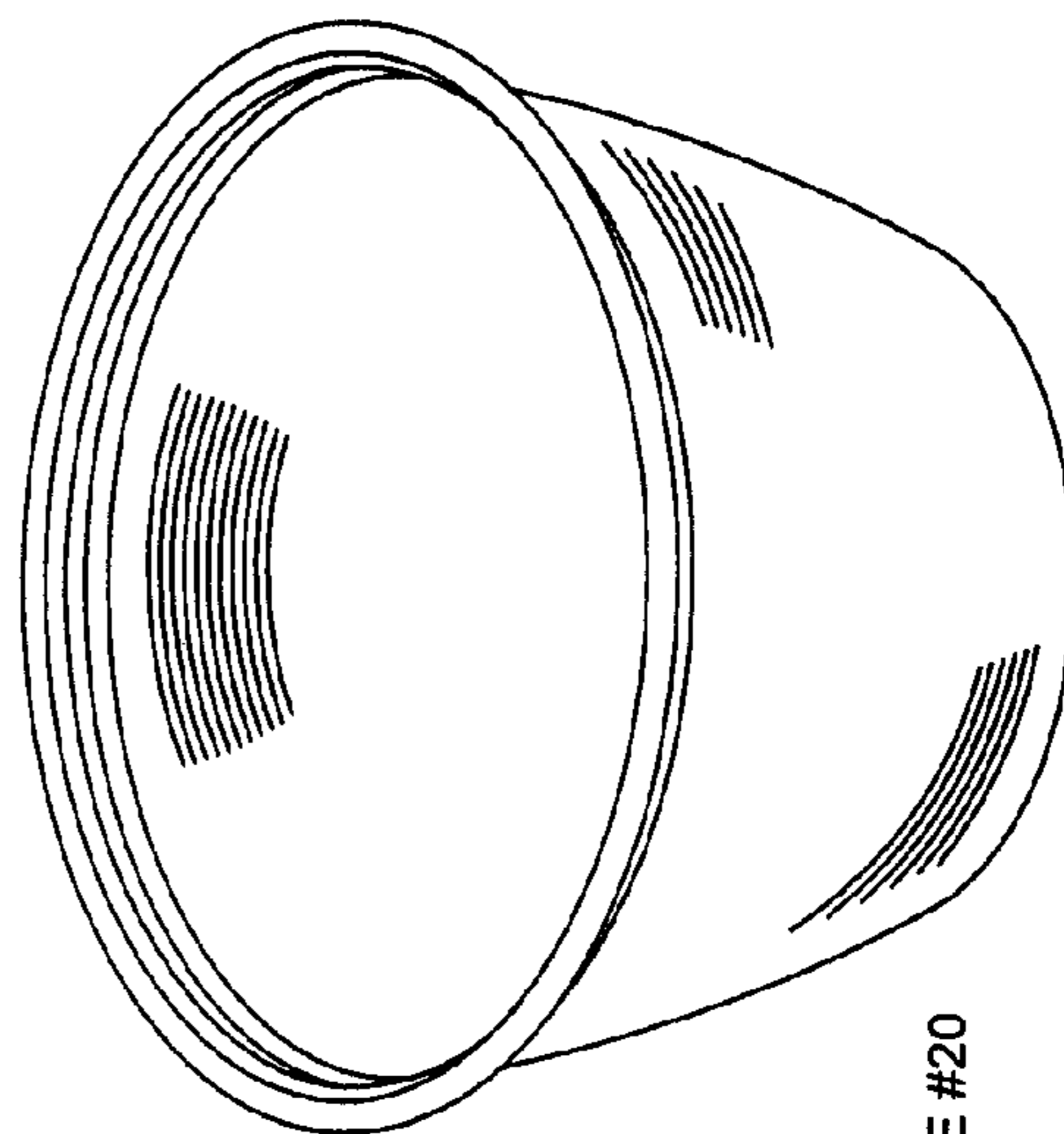


FIGURE #20

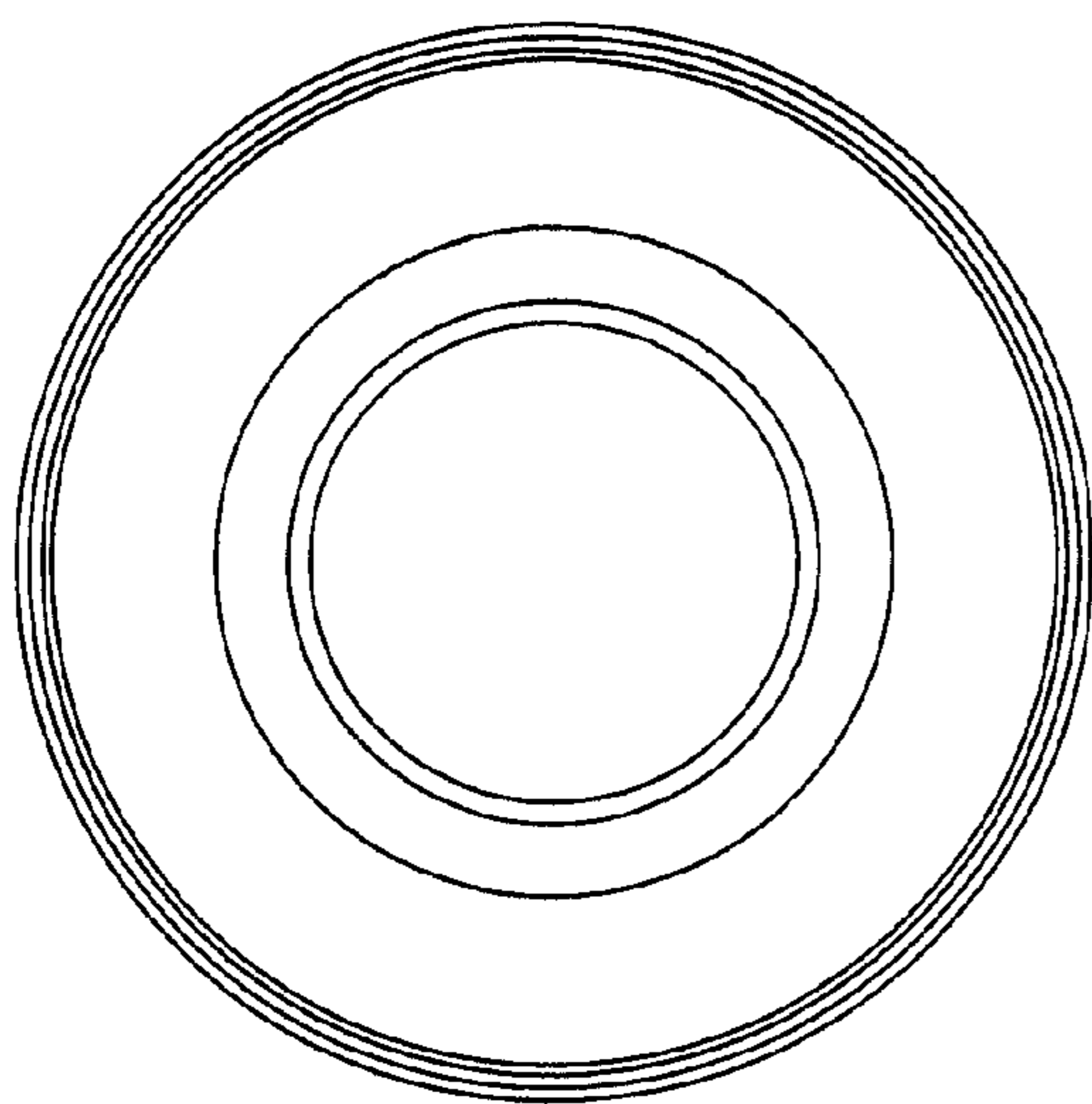


FIGURE #17

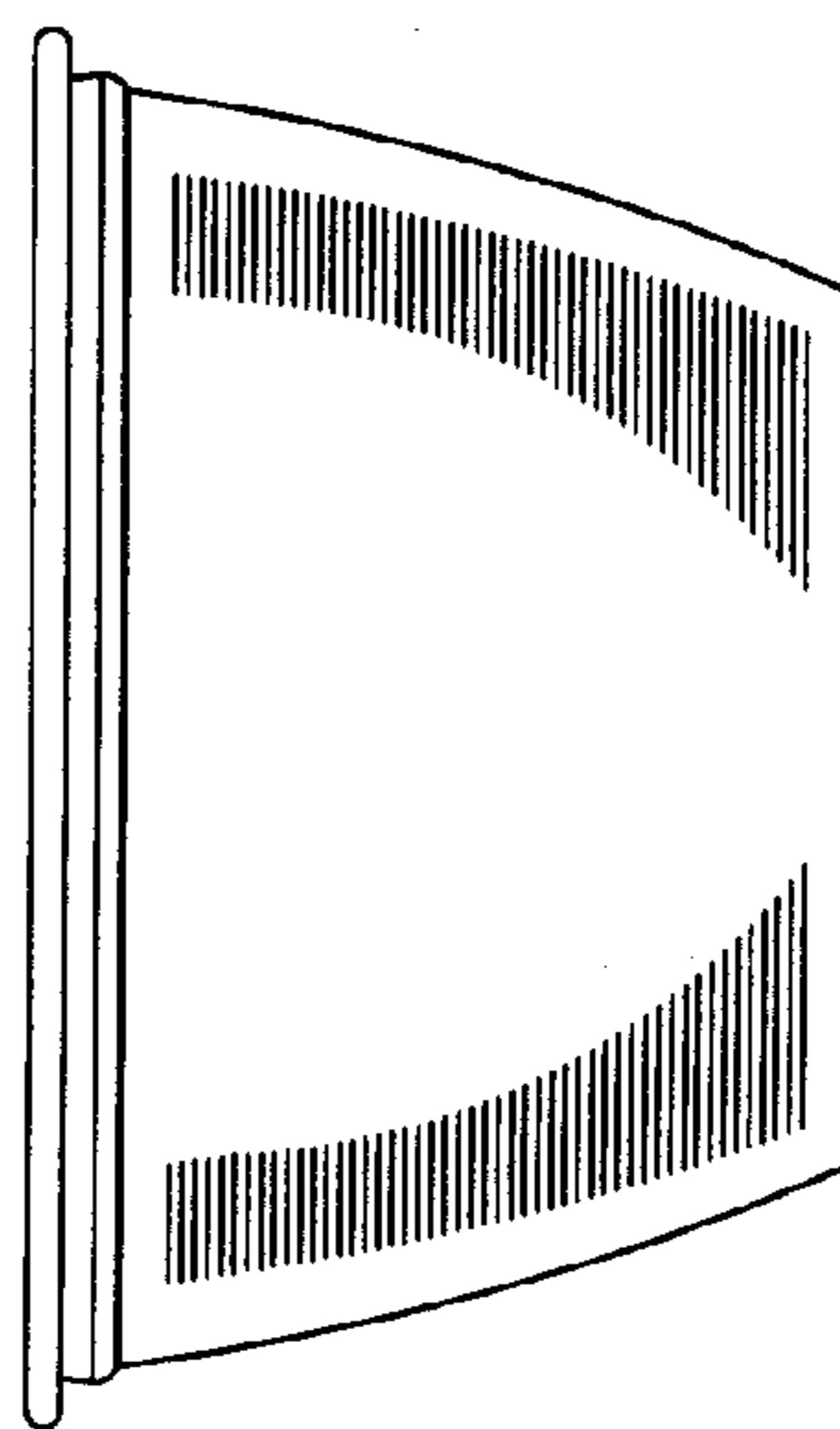


FIGURE #18

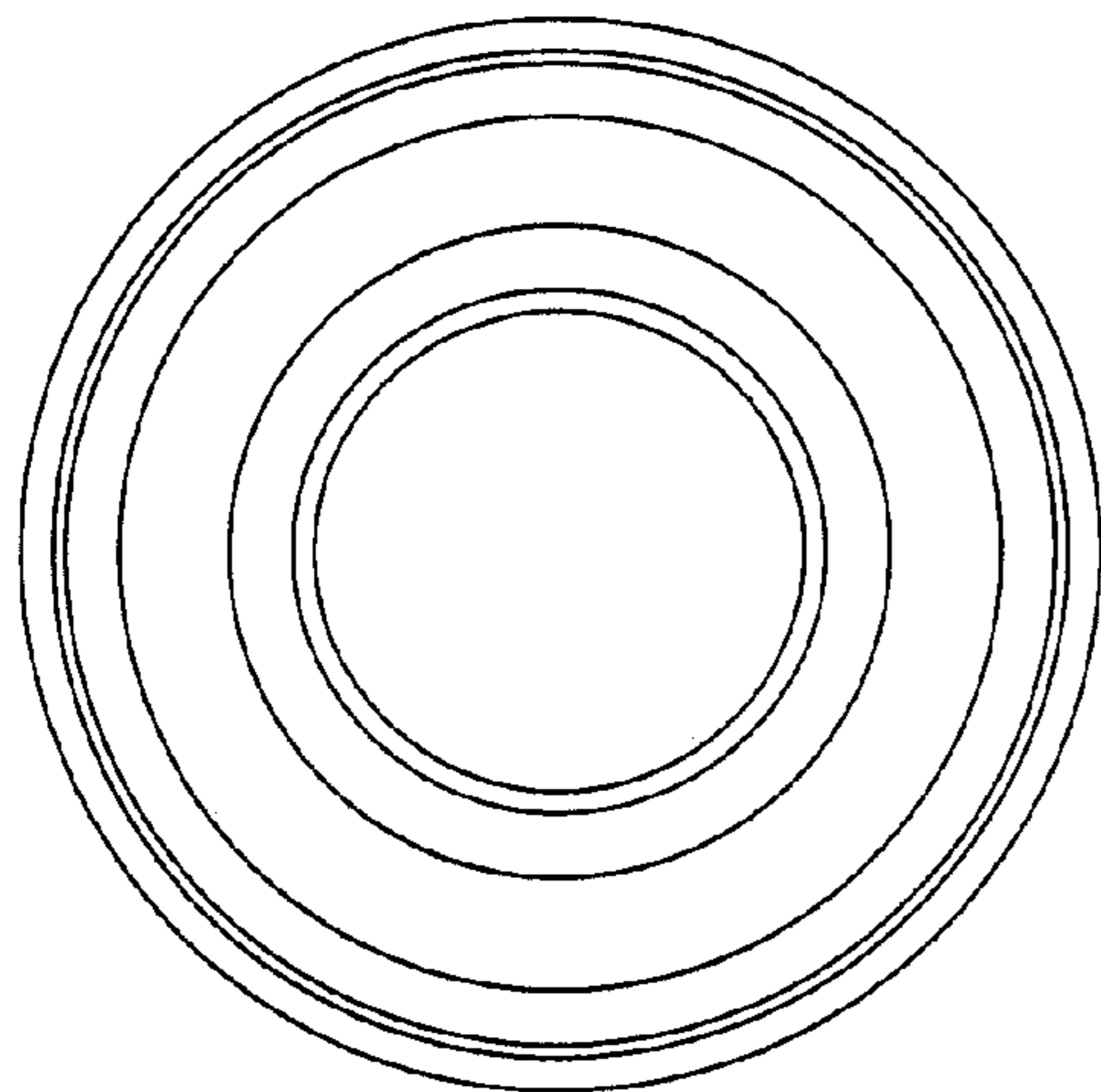


FIGURE #23

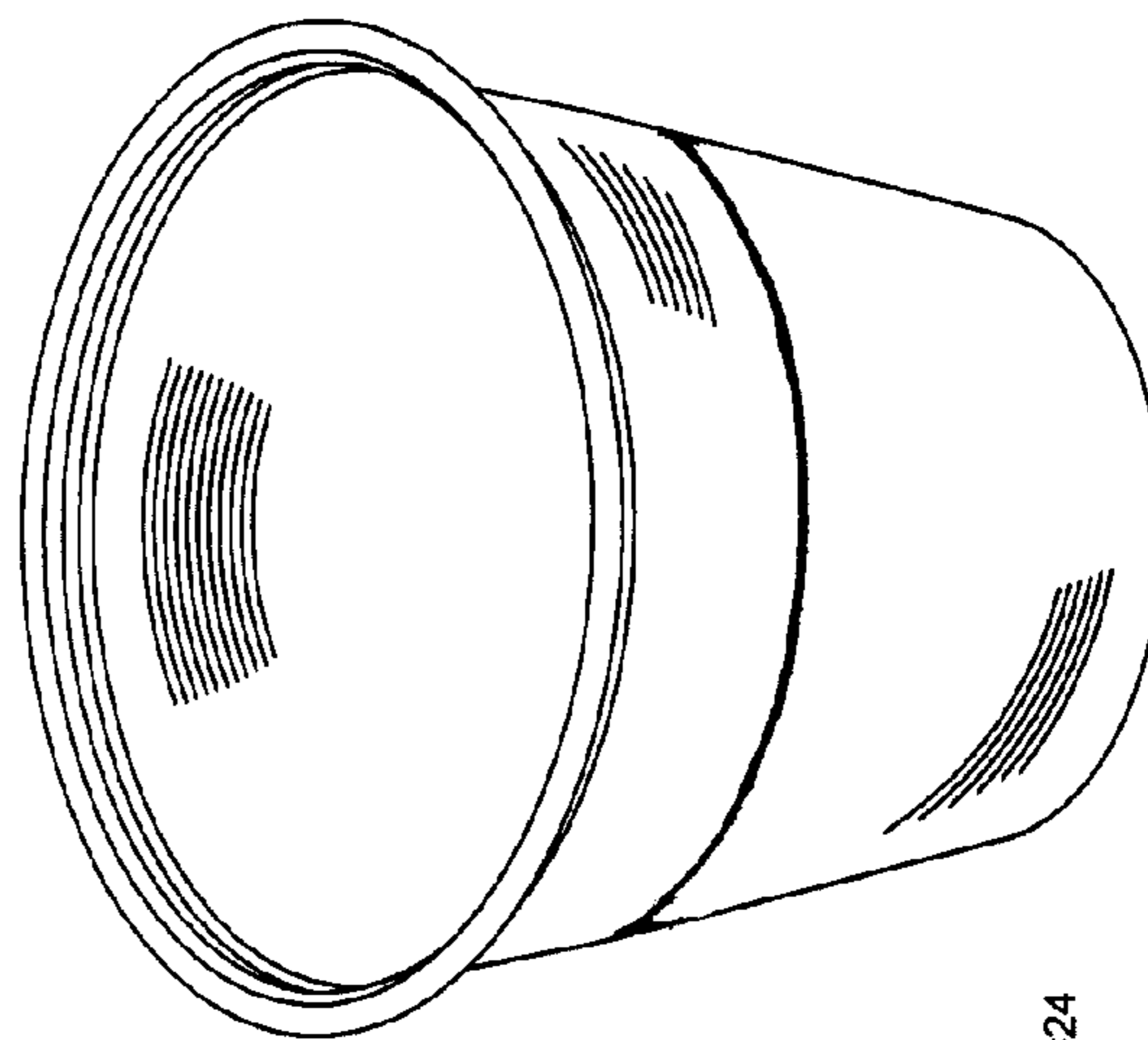


FIGURE #24

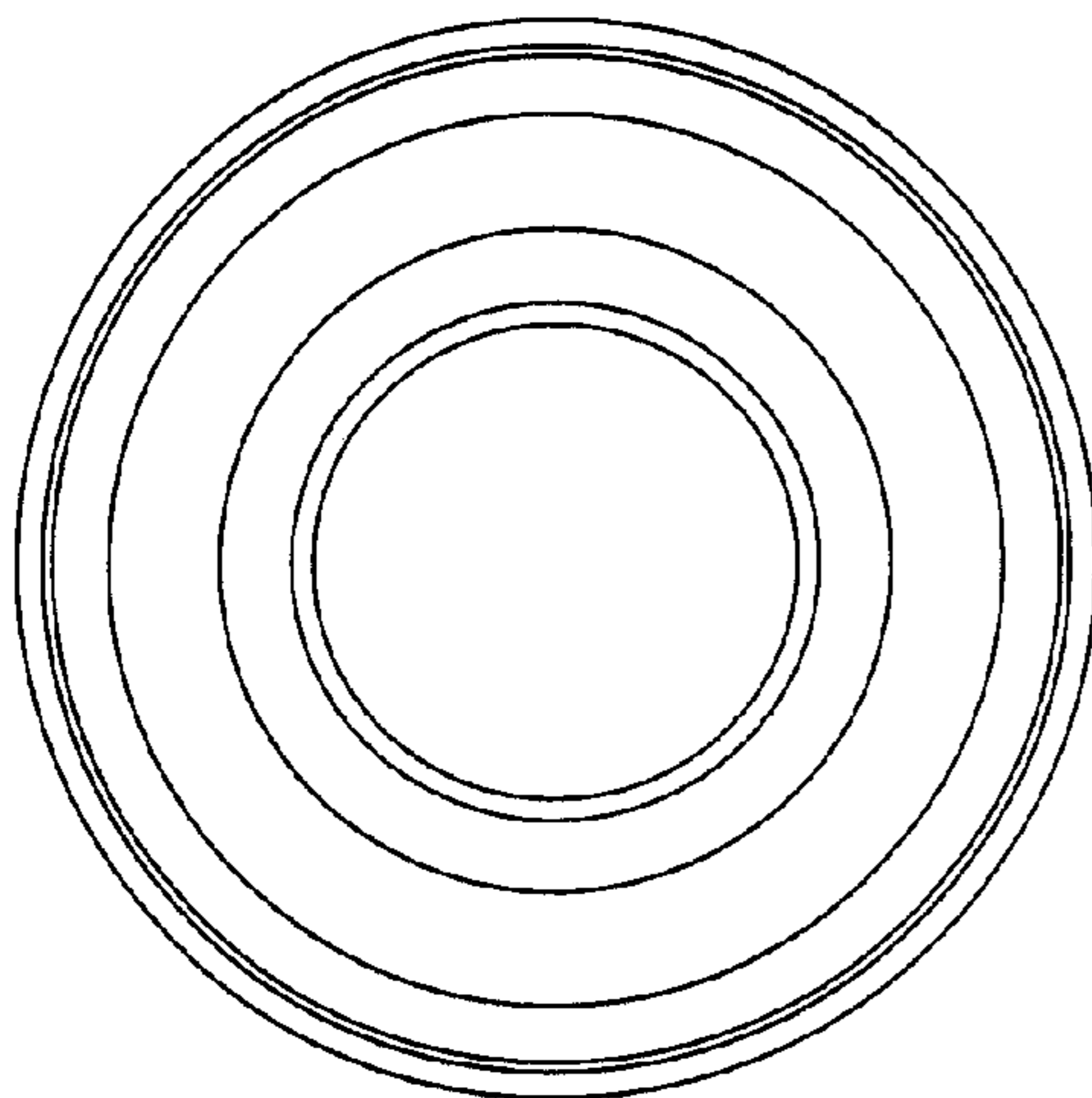


FIGURE #21

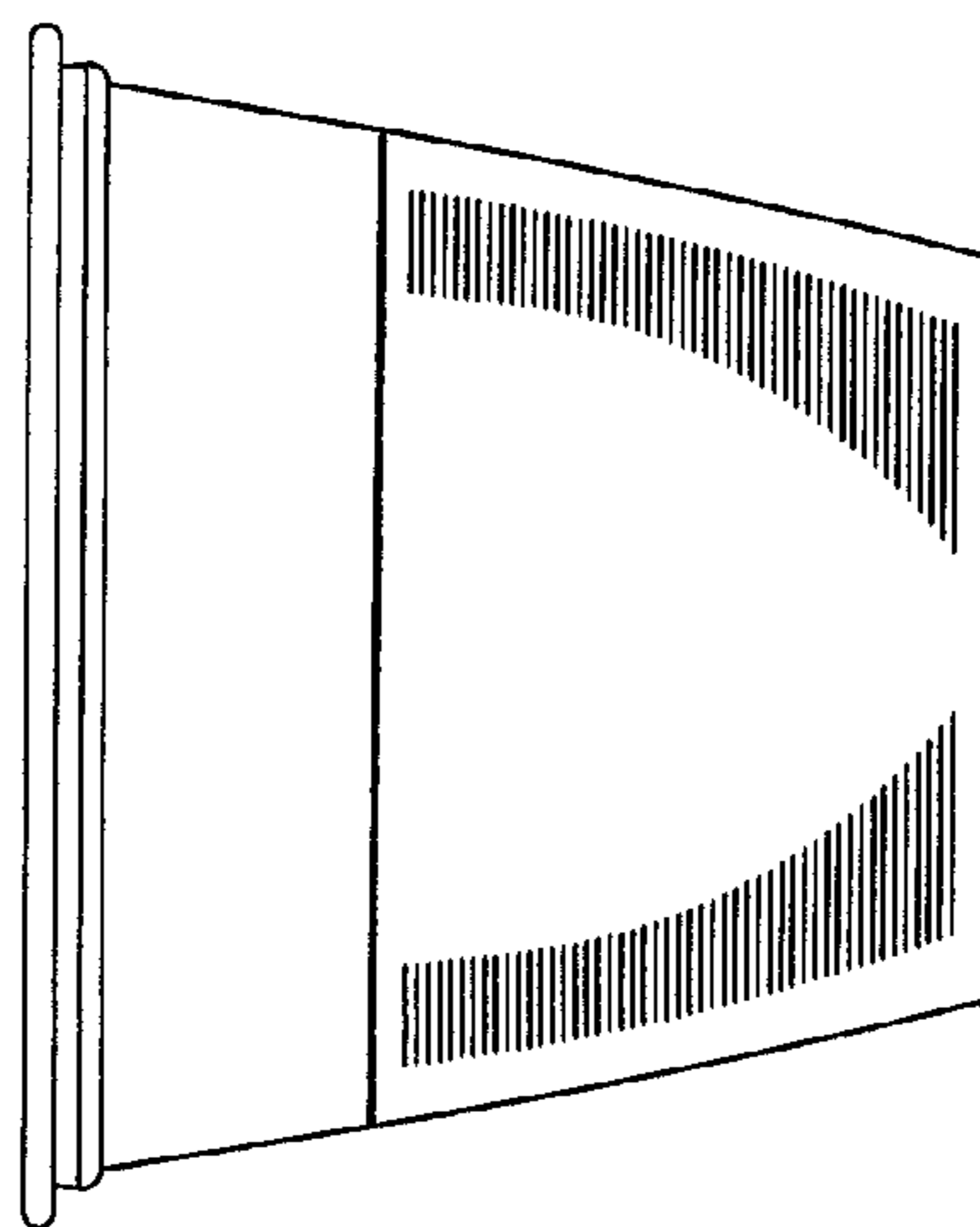


FIGURE #22